



OcNOS®

**Open Compute
Network Operating System
for Data Centers Version 6.4.2**

Virtual Extensible Local Area Network Guide

December 2023

© 2023 IP Infusion Inc. All Rights Reserved.

This documentation is subject to change without notice. The software described in this document and this documentation are furnished under a license agreement or nondisclosure agreement. The software and documentation may be used or copied only in accordance with the terms of the applicable agreement. No part of this publication may be reproduced, stored in a retrieval system, or transmitted in any form or any means electronic or mechanical, including photocopying and recording for any purpose other than the purchaser's internal use without the written permission of IP Infusion Inc.

IP Infusion Inc.
3965 Freedom Circle, Suite 200
Santa Clara, CA 95054
+1 408-400-1900
<http://www.ipinfusion.com/>

For support, questions, or comments via E-mail, contact:
support@ipinfusion.com

Trademarks:

IP Infusion and OcNOS are trademarks or registered trademarks of IP Infusion. All other trademarks, service marks, registered trademarks, or registered service marks are the property of their respective owners.

Use of certain software included in this equipment is subject to the IP Infusion, Inc. End User License Agreement at <http://www.ipinfusion.com/license>. By using the equipment, you accept the terms of the End User License Agreement.

Contents

Preface	ix
Audience	ix
Conventions	ix
Chapter Organization	ix
Related Documentation	ix
Migration Guide	ix
Feature Availability	x
Support	x
Comments	x
Command Line Interface	9
Overview	9
Command Line Interface Help	9
Command Completion	10
Command Abbreviations	10
Command Line Errors	10
Command Negation	11
Syntax Conventions	11
Variable Placeholders	12
Command Description Format	13
Keyboard Operations	13
Show Command Modifiers	14
String Parameters	17
Command Modes	17
Transaction-based Command-line Interface	19
Virtual eXtensible Local Area Network Configuration Guide	21
CHAPTER 1 Overview	23
Terminology	23
VXLAN Architecture	23
CHAPTER 2 VXLAN Unicast Configuration	25
Port Mapping	25
Intermediate Non-VXLAN Router	30
CHAPTER 3 VXLAN-EVPN Configuration	37
Topology	37
LAG as Access Port with ECMP on the Network Side	44
CHAPTER 4 VXLAN EVPN EVC Configuration	59
Overview	59
Topology	59
Validation	62
CHAPTER 5 VXLAN Multi-homing Configuration	71
Overview	71

Validation	89
CHAPTER 6 VXLAN Hybrid Access Port Configuration	109
Overview	109
Topology	109
Validation	113
CHAPTER 7 VXLAN Quality of Service Configuration	121
Overview	121
Topology	121
COS-DSCP	122
CHAPTER 8 VXLAN Trunk Access Port	133
Topology	133
CHAPTER 9 VXLAN Tunnel Over SVI	155
Overview	155
Topology	155
Validation	172
CHAPTER 10 DHCP Relay Over IRB Interface	179
Overview	179
Topology	179
CHAPTER 11 VXLAN-EVPN with IRB	187
Overview	187
Topology	187
Base Configuration - L2 VXLAN	188
Centralized Gateway	204
IRB Configuration for Centralized Gateway	204
Anycast Gateway	209
Distributed Gateway	230
VXLAN IRB ECMP	237
CHAPTER 12 VXLAN-IRB-Inter-VRF Route Leaking	245
Topology	245
CHAPTER 13 VXLAN-EVPN with IRB QoS	285
Overview	285
Topology	285
Base Configuration - L2 VXLAN	285
Centralized Gateway	298
IRB Configuration for Centralized Gateway	298
Anycast Gateway	307
IRB Configuration for Anycast	307
Distributed Gateway	328
IRB QoS Configuration for Distributed	328
CHAPTER 14 EVPN IRB - Anycast Support for Multiple Subnets 341	
Overview	341
Topology	341

CHAPTER 15	EVPN-VXLAN Hybrid Port Support	367
	Overview	367
	Topology	367
	VXLAN-EVPN Hybrid Port Configuration	368
	Validation	379
CHAPTER 16	VXLAN-EVPN Symmetric IRB Support with Connected host	387
	Overview	387
	Topology	387
	Base Configurations	388
	Validation	388
	Validation	391
CHAPTER 17	Single-Home for VxLAN IRB with OSPF or ISIS	395
	Overview	395
CHAPTER 18	Multi Home VxLAN-EVPN IRB with OSPF or ISIS	397
	Overview	397
	Prerequisites	397
	Topology for OSPF	397
	Configuration	398
	Abbreviations	430
	Glossary	430
Virtual eXtensible Local Area Network Command Reference		433
CHAPTER 1	VXLAN Commands	435
	arp-cache disable	437
	arp-nd flood-suppress	438
	arp-nd refresh timer	439
	clear mac address table dynamic vxlan	440
	clear nvo vxlan counters	441
	clear nvo vxlan tunnels	442
	clear nvo vxlan mac-stale-entries	443
	description	444
	dynamic-learning disable	445
	encapsulation	446
	evpn esi holdtime	447
	evpn vxlan multi-homing enable	448
	evpn multi-homed	449
	evpn-vlan-service	450
	garp-gna enable	451
	load-balance rtag7 vxlan inner-I2	452
	load-balance rtag7 vxlan inner-I3	453
	mac	454
	mac vrf	455
	mac-holdtime	456
	map vnid	457
	nd-cache disable	458

no nvo vxlan	459
nvo vxlan	460
nvo vxlan id	461
nvo vxlan access-if	462
nvo vxlan mac-ageing-time	464
nvo vxlan max-cache-disable	465
nvo vxlan vtep-ip-global	466
show bgp l2vpn evpn	467
show bgp l2vpn evpn summary	471
show nvo vxlan	473
show nvo vxlan access-if-config	475
show nvo vxlan arp-cache	476
show nvo vxlan counters access-port	478
show nvo vxlan counters network-port	481
show nvo vxlan mac-table	483
show nvo vxlan nd-cache	486
show nvo vxlan static host state	488
show nvo vxlan tunnel	490
show running-config nvo vxlan	491
show evpn multi-homing all	493
show evpn multihoming-status	494
show nvo vxlan route-count	495
show nvo vxlan vni-name	497
shutdown	498
vxlan host-reachability-protocol evpn-bgp	499
CHAPTER 2 VXLAN - IRB Commands	501
evpn irb	502
evpn irb-forwarding anycast-gateway-mac	503
evpn irb-if-forwarding anycast-gateway-mac	504
interface irb	505
l3vni	506
nvo vxlan irb	507
show bgp l2vpn evpn	508
show bgp l2vpn evpn prefix-route	510
show interface irb	511
show nvo vxlan l3vni	512
show nvo vxlan irb-status	513
show running-config interface irb	514
CHAPTER 3 VXLAN Quality of Service Commands	515
clear nvo vxlan tunnels	516
cos queue	517
dscp queue	518
map qos-profile	519
map qos-profile cos-to-queue	520
map qos-profile queue-color-to-cos	521
nvo vxlan tunnel qos-map-mode cos-dscp	522

qos profile cos-to-queue	523
qos profile dscp-to-queue	524
qos profile queue-color-to-cos	525
qos profile queue-color-to-dscp	526
queue cos	527
queue dscp	528
Index	529

Preface

This guide describes how to configure OcNOS.

Audience

This guide is intended for network administrators and other engineering professionals who configure OcNOS.

Conventions

[Table P-1](#) shows the conventions used in this guide.

Table P-1: Conventions

Convention	Description
<i>Italics</i>	Emphasized terms; titles of books
Note:	Special instructions, suggestions, or warnings
<code>monospaced type</code>	Code elements such as commands, parameters, files, and directories

Chapter Organization

The chapters in command references are organized as described in [Command Description Format](#).

The chapters in configuration guides are organized into these major sections:

- An overview that explains a configuration in words
- Topology with a diagram that shows the devices and connections used in the configuration
- Configuration steps in a table for each device where the left-hand side shows the commands you enter and the right-hand side explains the actions that the commands perform
- Validation which shows commands and their output that verify the configuration

Related Documentation

For information about installing of OcNOS, see the *Installation Guide* for your platform.

Migration Guide

Check the *Migration Guide* for configuration changes to make when migrating from one version of OcNOS to another.

Feature Availability

The features described in this document that are available depend upon the OcNOS SKU that you purchased. See the *Application Notes* for a description of the OcNOS SKUs.

Support

For support-related questions, contact support@ipinfusion.com.

Comments

If you have comments, or need to report a problem with the content, contact techpubs@ipinfusion.com.

Command Line Interface

This chapter introduces the OcNOS Command Line Interface (CLI) and how to use its features.

Overview

You use the CLI to configure, monitor, and maintain OcNOS devices. The CLI is text-based and each command is usually associated with a specific task.

You can give the commands described in this manual locally from the console of a device running OcNOS or remotely from a terminal emulator such as `putty` or `xterm`. You can also use the commands in scripts to automate configuration tasks.

Command Line Interface Help

You access the CLI help by entering a full or partial command string and a question mark “?”. The CLI displays the command keywords or parameters along with a short description. For example, at the CLI command prompt, type:

```
> show ?
```

The CLI displays this keyword list with short descriptions for each keyword:

```
show ?
  application-priority      Application Priority
  arp                       Internet Protocol (IP)
  bfd                       Bidirectional Forwarding Detection (BFD)
  bgp                       Border Gateway Protocol (BGP)
  bi-lsp                    Bi-directional lsp status and configuration
  bridge                    Bridge group commands
  ce-vlan                   COS Preservation for Customer Edge VLAN
  class-map                 Class map entry
  cli                       Show CLI tree of current mode
  clns                      Connectionless-Mode Network Service (CLNS)
  control-adjacency        Control Adjacency status and configuration
  control-channel           Control Channel status and configuration
  cspf                      CSPF Information
  customer                  Display Customer spanning-tree
  cvlan                     Display CVLAN information
  debugging                 Debugging functions (see also 'undebug')
  etherchannel             LACP etherchannel
  ethernet                  Layer-2
  ...
```

If you type the ? in the middle of a keyword, the CLI displays help for that keyword only.

```
> show de?
debugging Debugging functions (see also 'undebug')
```

If you type the ? in the middle of a keyword, but the incomplete keyword matches several other keywords, OcNOS displays help for all matching keywords.

```
> show i? (CLI does not display the question mark).
interface Interface status and configuration
ip IP information
isis ISIS information
```

Command Completion

The CLI can complete the spelling of a command or a parameter. Begin typing the command or parameter and then press the tab key. For example, at the CLI command prompt type `sh`:

```
> sh
```

Press the tab key. The CLI displays:

```
> show
```

If the spelling of a command or parameter is ambiguous, the CLI displays the choices that match the abbreviation. Type `show i` and press the tab key. The CLI displays:

```
> show i
  interface ip          ipv6          isis
> show i
```

The CLI displays the `interface` and `ip` keywords. Type `n` to select `interface` and press the tab key. The CLI displays:

```
> show in
> show interface
```

Type `?` and the CLI displays the list of parameters for the `show interface` command.

```
> show interface
  IFNAME  Interface name
  |       Output modifiers
  >       Output redirection
  <cr>
```

The CLI displays the only parameter associated with this command, the `IFNAME` parameter.

Command Abbreviations

The CLI accepts abbreviations that uniquely identify a keyword in commands. For example:

```
> sh int xe0
```

is an abbreviation for:

```
> show interface xe0
```

Command Line Errors

Any unknown spelling causes the CLI to display the error `Unrecognized command` in response to the `?`. The CLI displays the command again as last entered.

```
> show dd?
% Unrecognized command
> show dd
```

When you press the Enter key after typing an invalid command, the CLI displays:

```
(config)#router ospf here
                               ^
% Invalid input detected at '^' marker.
```

where the `^` points to the first character in error in the command.

If a command is incomplete, the CLI displays the following message:

```
> show
% Incomplete command.
```

Some commands are too long for the display line and can wrap mid-parameter or mid-keyword, as shown below. This does *not* cause an error and the command performs as expected:

```
area 10.10.0.18 virtual-link 10.10.0.19 authent
ication-key 57393
```

Command Negation

Many commands have a `no` form that resets a feature to its default value or disables the feature. For example:

- The `ip address` command assigns an IPv4 address to an interface
- The `no ip address` command removes an IPv4 address from an interface

Syntax Conventions

[Table P-2](#) describes the conventions used to represent command syntax in this reference.

Table P-2: Syntax conventions

Convention	Description	Example
monospaced font	Command strings entered on a command line	<code>show ip ospf</code>
lowercase	Keywords that you enter exactly as shown in the command syntax.	<code>show ip ospf</code>
UPPERCASE	See Variable Placeholders	<code>IFNAME</code>
()	Optional parameters, from which you must select one. Vertical bars delimit the selections. Do not enter the parentheses or vertical bars as part of the command.	<code>(A.B.C.D <0-4294967295>)</code>
()	Optional parameters, from which you select one or none. Vertical bars delimit the selections. Do not enter the parentheses or vertical bars as part of the command.	<code>(A.B.C.D <0-4294967295>)</code>
()	Optional parameter which you can specify or omit. Do not enter the parentheses or vertical bar as part of the command.	<code>(IFNAME)</code>
{ }	Optional parameters, from which you must select one or more. Vertical bars delimit the selections. Do not enter the braces or vertical bars as part of the command.	<code>{intra-area <1-255> inter-area <1-255> external <1-255>}</code>

Table P-2: Syntax conventions (Continued)

Convention	Description	Example
[]	Optional parameters, from which you select zero or more. Vertical bars delimit the selections. Do not enter the brackets or vertical bars as part of the command.	[<1-65535> AA:NN internet local-AS no-advertise no-export]
?	Nonrepeatable parameter. The parameter that follows a question mark can only appear once in a command string. Do not enter the question mark as part of the command.	?route-map WORD
.	Repeatable parameter. The parameter that follows a period can be repeated more than once. Do not enter the period as part of the command.	set as-path prepend .<1-65535>

Variable Placeholders

Table P-3 shows the tokens used in command syntax use to represent variables for which you supply a value.

Table P-3: Variable placeholders

Token	Description
WORD	A contiguous text string (excluding spaces)
LINE	A text string, including spaces; no other parameters can follow this parameter
IFNAME	Interface name whose format varies depending on the platform; examples are: eth0, Ethernet0, ethernet0, xe0
A.B.C.D	IPv4 address
A.B.C.D/M	IPv4 address and mask/prefix
X:X::X:X	IPv6 address
X:X::X:X/M	IPv6 address and mask/prefix
HH:MM:SS	Time format
AA:NN	BGP community value
XX:XX:XX:XX:XX:XX	MAC address
<1-5> <1-65535> <0-2147483647> <0-4294967295>	Numeric range

Command Description Format

Table P-4 explains the sections used to describe each command in this reference.

Table P-4: Command descriptions

Section	Description
Command Name	The name of the command, followed by what the command does and when should it be used
Command Syntax	The syntax of the command
Parameters	Parameters and options for the command
Default	The state before the command is executed
Command Mode	The mode in which the command runs; see Command Modes
Example	An example of the command being executed

Keyboard Operations

Table P-5 lists the operations you can perform from the keyboard.

Table P-5: Keyboard operations

Key combination	Operation
Left arrow or Ctrl+b	Moves one character to the left. When a command extends beyond a single line, you can press left arrow or Ctrl+b repeatedly to scroll toward the beginning of the line, or you can press Ctrl+a to go directly to the beginning of the line.
Right arrow or Ctrl-f	Moves one character to the right. When a command extends beyond a single line, you can press right arrow or Ctrl+f repeatedly to scroll toward the end of the line, or you can press Ctrl+e to go directly to the end of the line.
Esc, b	Moves back one word
Esc, f	Moves forward one word
Ctrl+e	Moves to end of the line
Ctrl+a	Moves to the beginning of the line
Ctrl+u	Deletes the line
Ctrl+w	Deletes from the cursor to the previous whitespace
Alt+d	Deletes the current word
Ctrl+k	Deletes from the cursor to the end of line
Ctrl+y	Pastes text previously deleted with Ctrl+k, Alt+d, Ctrl+w, or Ctrl+u at the cursor

Table P-5: Keyboard operations (Continued)

Key combination	Operation
Ctrl+t	Transposes the current character with the previous character
Ctrl+c	Ignores the current line and redisplay the command prompt
Ctrl+z	Ends configuration mode and returns to exec mode
Ctrl+l	Clears the screen
Up Arrow or Ctrl+p	Scroll backward through command history
Down Arrow or Ctrl+n	Scroll forward through command history

Show Command Modifiers

You can use two tokens to modify the output of a `show` command. Enter a question mark to display these tokens:

```
# show users ?
  | Output modifiers
  > Output redirection
```

You can type the | (vertical bar character) to use output modifiers. For example:

```
> show rsvp | ?
begin      Begin with the line that matches
exclude    Exclude lines that match
include    Include lines that match
last       Last few lines
redirect   Redirect output
```

Begin Modifier

The `begin` modifier displays the output beginning with the first line that contains the input string (everything typed after the `begin` keyword). For example:

```
# show running-config | begin xe1
...skipping
interface xe1
  ipv6 address fe80::204:75ff:fee6:5393/64
!
interface xe2
  ipv6 address fe80::20d:56ff:fe96:725a/64
!
line con 0
  login
!
end
```

You can specify a regular expression after the `begin` keyword. This example begins the output at a line with either “xe2” or “xe4”:

```
# show running-config | begin xe[3-4]
...skipping
```



```

interface xe3
 shutdown
 !
interface xe4
 shutdown
 !
interface svlan0.1
 no shutdown
 !
route-map myroute permit 3
 !
route-map mymap1 permit 10
 !
route-map rmap1 permit 3
 !
line con 0
 login
line vty 0 4
 login
 !
end

```

Include Modifier

The `include` modifier includes only those lines of output that contain the input string. In the output below, all lines containing the word “input” are included:

```

# show interface xe1 | include input
input packets 80434552, bytes 2147483647, dropped 0, multicast packets 0
input errors 0, length 0, overrun 0, CRC 0, frame 0, fifo 1, missed 0

```

You can specify a regular expression after the `include` keyword. This examples includes all lines with “input” or “output”:

```

#show interface xe0 | include (in|out)put
input packets 597058, bytes 338081476, dropped 0, multicast packets 0
input errors 0, length 0, overrun 0, CRC 0, frame 0, fifo 0, missed 0
output packets 613147, bytes 126055987, dropped 0
output errors 0, aborted 0, carrier 0, fifo 0, heartbeat 0, window 0

```

Exclude Modifier

The `exclude` modifier excludes all lines of output that contain the input string. In the following output example, all lines containing the word “input” are excluded:

```

# show interface xe1 | exclude input
Interface xe1
Scope: both
Hardware is Ethernet, address is 0004.75e6.5393
index 3 metric 1 mtu 1500 <UP,BROADCAST,RUNNING,MULTICAST>
VRF Binding: Not bound
Administrative Group(s): None
DSTE Bandwidth Constraint Mode is MAM
inet6 fe80::204:75ff:fee6:5393/64
output packets 4438, bytes 394940, dropped 0
output errors 0, aborted 0, carrier 0, fifo 0, heartbeat 0, window 0
collisions 0

```

You can specify a regular expression after the `exclude` keyword. This example excludes lines with “output” or “input”:

```
# show interface xe0 | exclude (in|out)put
Interface xe0
  Scope: both
  Hardware is Ethernet Current HW addr: 001b.2139.6c4a
  Physical:001b.2139.6c4a Logical:(not set)
  index 2 metric 1 mtu 1500 duplex-full arp ageing timeout 3000
  <UP,BROADCAST,RUNNING,MULTICAST>
  VRF Binding: Not bound
  Bandwidth 100m
  DHCP client is disabled.
  inet 10.1.2.173/24 broadcast 10.1.2.255
  VRRP Master of : VRRP is not configured on this interface.
  inet6 fe80::21b:21ff:fe39:6c4a/64
  collisions 0
```

Redirect Modifier

The `redirect` modifier writes the output into a file. The output is not displayed.

```
# show cli history | redirect /var/frame.txt
```

The output redirection token (`>`) does the same thing:

```
# show cli history >/var/frame.txt
```

Last Modifier

The `last` modifier displays the output of last few number of lines (As per the user input). The last number ranges from 1 to 9999.

For example:

```
#show running-config | last 10
```

String Parameters

The restrictions in [Table P-6](#) apply for all string parameters used in OcnOS commands, unless some other restrictions are noted for a particular command.

Table P-6: String parameter restrictions

Restriction	Description
Input length	1965 characters or less
Restricted special characters	“?”, “,”, “>”, “ ”, and “=” The “ ” is allowed only for <code>description</code> CLI in interface mode.

Command Modes

Commands are grouped into modes arranged in a hierarchy. Each mode has its own set of commands. [Table P-7](#) lists the command modes common to all protocols.

Table P-7: Common command modes

Name	Description
Executive mode	Also called <i>view</i> mode, this is the first mode to appear after you start the CLI. It is a base mode from where you can perform basic commands such as <code>show</code> , <code>exit</code> , <code>quit</code> , <code>help</code> , and <code>enable</code> .
Privileged executive mode	Also called <i>enable</i> mode, in this mode you can run additional basic commands such as <code>debug</code> , <code>write</code> , and <code>show</code> .
Configure mode	Also called <i>configure terminal</i> mode, in this mode you can run configuration commands and go into other modes such as interface, router, route map, key chain, and address family. Configure mode is single user. Only one user at a time can be in configure mode.
Interface mode	In this mode you can configure protocol-specific settings for a particular interface. Any setting you configure in this mode overrides a setting configured in router mode.
Router mode	This mode is used to configure router-specific settings for a protocol such as BGP or OSPF.

Command Mode Tree

The diagram below shows the common command mode hierarchy.

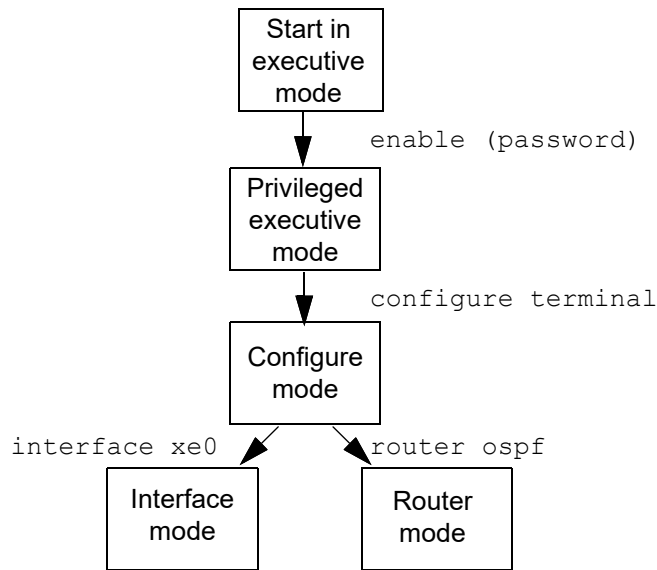


Figure P-1: Common command modes

To change modes:

1. Enter privileged executive mode by entering `enable` in Executive mode.
2. Enter configure mode by entering `configure terminal` in Privileged Executive mode.

The example below shows moving from executive mode to privileged executive mode to configure mode and finally to router mode:

```

> enable mypassword
# configure terminal
Enter configuration commands, one per line. End with CNTL/Z.
(config)# router ospf
(config-router)#
  
```

Note: Each protocol can have modes in addition to the common command modes. See the command reference for the respective protocol for details.

Transaction-based Command-line Interface

The OcNOS command line interface is transaction based:

- Any changes done in configure mode are stored in a separate *candidate* configuration that you can view with the `show transaction current` command.
- When a configuration is complete, apply the candidate configuration to the running configuration with the `commit` command.
- If a `commit` fails, no configuration is applied as the entire transaction is considered failed. You can continue to change the candidate configuration and then retry the `commit`.
- Discard the candidate configuration with the `abort transaction` command.
- Check the last aborted transaction with the `show transaction last-aborted` command.
- Multiple configurations cannot be removed with a single commit. You must remove each configuration followed by a commit.

Note: All commands MUST be executed only in the default CML shell (`cmlsh`). If you log in as `root` and start `imish` then the system configurations will go out of sync. The `imish` shell is not supported and should not be started manually.

Virtual eXtensible Local Area Network Configuration Guide

CHAPTER 1 Overview

This chapter provides an overview of Virtual eXtensible Local Area Network (VXLAN) and its implementation with OcNOS. VXLAN creates LAN segments using a MAC in IP encapsulation. The encapsulation carries the original L2 frame received from a host to the destination in another server using IP tunnels. The endpoints of the virtualized tunnel formed using VXLAN are called VTEPs (VXLAN Tunnel EndPoints). This technology allows the network to support several tenants with minimum changes in the network. The VTEPs carry tenant data in L3 tunnels over the network. The tenant data is not used in routing or switching. This aids in tenant machine movement and allows the tenants to have the same IP or MAC addresses on end devices, hosts/VM's.

OcNOS supports VxLAN IPv4 tunnels, but both IPv4 and IPv6 hosts are supported.

Terminology

Terms related to VXLAN configuration are defined in the table below.

IGMP	Internet Group Management Protocol
PIM	Protocol Independent Multicast
VLAN	Virtual Local Area Network
VM	Virtual Machine
VNI	VXLAN Network Identifier (or VXLAN Segment ID)
VTEP	VXLAN Tunnel End Point. An entity that originates and/or terminates VXLAN tunnels
VXLAN	Virtual eXtensible Local Area Network
VXLAN Segment	VXLAN Layer 2 overlay network over which VMs communicate
VXLAN Gateway	An entity that forwards traffic between VXLANs

VXLAN Architecture

VXLAN runs over the existing networking infrastructure. It provides a means to “stretch” a Layer 2 network. In short, VXLAN is a Layer 2 overlay scheme on a Layer 3 network.

Each overlay is termed as a VXLAN segment. Only VMs within the same VXLAN segment can communicate with each other. Each VXLAN segment is identified through a 24-bit segment ID termed the “VXLAN Network Identifier (VNI)”. This allows up to 16 million VXLAN segments to coexist within the same administrative domain.

VNI identifies the scope of the inner MAC frame originated by the individual VM. Hence, we can have overlapping MAC addresses across segments but never have traffic “cross over” since the traffic is isolated using the VNI. The VNI is in an outer header that encapsulates the inner MAC frame originated by the VM.

Any packets (including ARP-ND) that are uplifted to the VxLAN CPU queue from any port are rate limited to 500 packets/second. This is done to protect the system and CPU during an ARP storm.

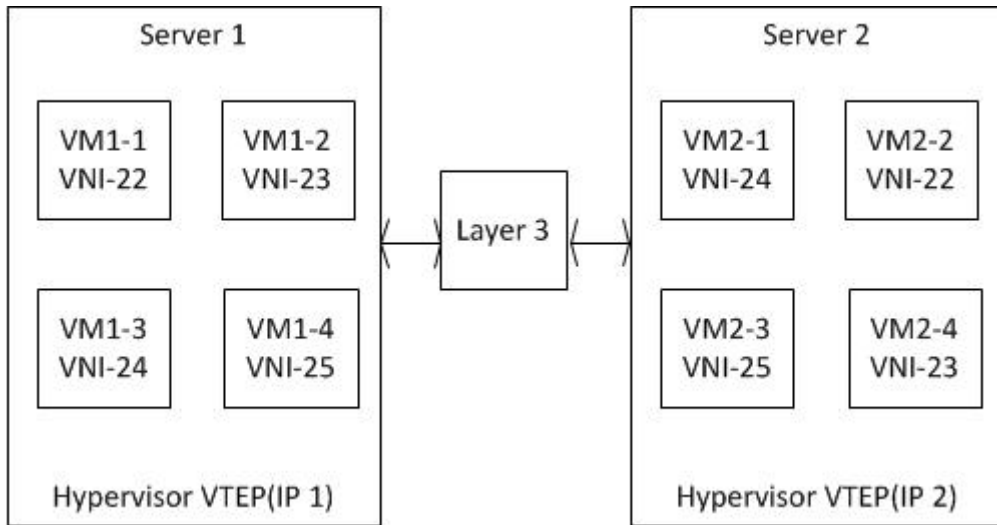


Figure 1-1: VXLAN Deployment - VTEPs across a Layer 3 Network

CHAPTER 2 VXLAN Unicast Configuration

This chapter contains basic Static-VXLAN unicast configuration examples.

Port Mapping

In this example each VTEP (VTEP1 and VTEP2) is a multilayer switch where xe2 is an access port while xe1 is network port.

After we start sending a packet (say untagged ipv4 packet) from VM1, it hits the VTEP1, VTEP1 does encapsulation based on the VNID configured and send it on xe1. Now the packet reaches VTEP2 and it does decapsulation of the packet. Now based on VNID packet is sent out on access port and it reaches destination VM, VM2.

Topology

The procedures in this section use the topology in [Figure 2-2](#)

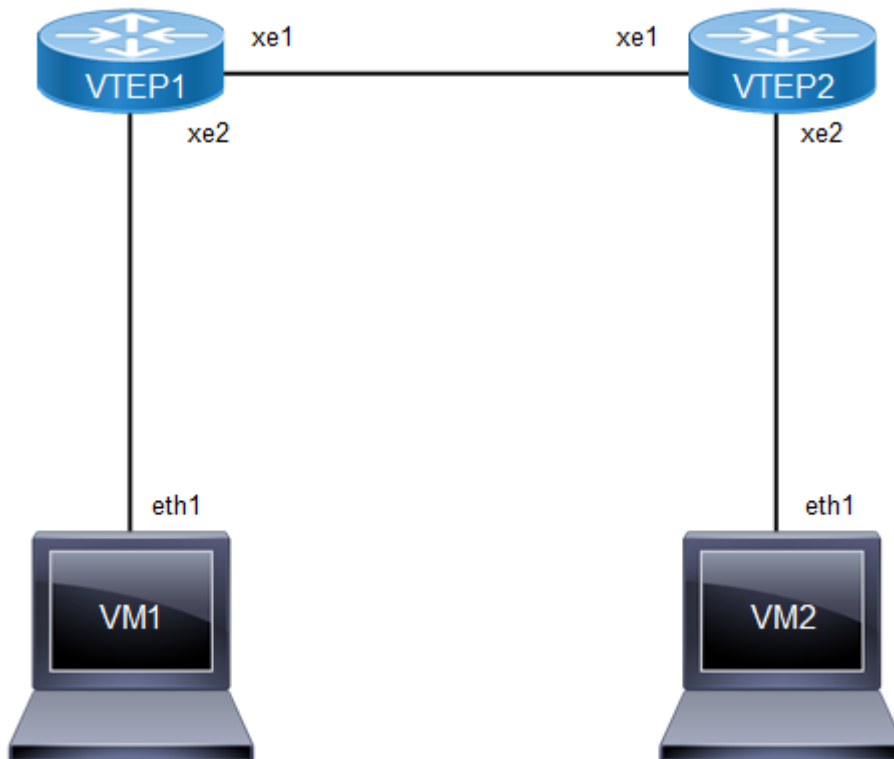


Figure 2-2: VXLAN unicast

VTEP1

#configure terminal	Enter the configure mode
(config)#interface xe2	Enter interface mode
(config-if)#switchport	Configure the interface as switchport
(config-if)#no shutdown	Bring the interface into operation with the no shutdown

VXLAN Unicast Configuration

(config-if)#exit	Exit interface mode
(config)#interface lo	Enter the configure mode
(config-if)#ip address 1.1.1.1/32 secondary	Configure IP address on the interface xe1
(config-if)#no shutdown	Bring the interface into operation with the no shutdown
(config-if)#exit	Exit interface mode
(config)#interface xe1	Enter the configure mode
(config-if)#ip address 5.5.5.2/24	Configure IP address on the interface xe1
(config-if)#no shutdown	Bring the interface into operation with the no shutdown
(config-if)#exit	Exit interface mode
(config)#ip route 2.2.2.2/32 5.5.5.4	Configure static route
(config)#nvo vxlan enable	Enable VXLAN globally on this vtep
(config)#interface tunnel 4	Specify the interface (Tunnel4)to be configured and Enter interface mode
(config-if)#tunnel mode vxlan	Assign this tunnel mode as VXLAN
(config-if)#tunnel source 1.1.1.1	Configure the source IP of this tunnel as an IP address which is configured on the interface xe1 of VTEP1
(config-if)#tunnel destination 2.2.2.2	Configure the destination IP of this tunnel as an IP address which is configured on the interface xe1 of VTEP2.
(config-if)#exit	Exit interface mode
(config)#nvo vxlan id 2	Configure a VNID on this VTEP and enter the nvo mode.
(config-nvo)#vxlan map-network tunnel Tunnel4	Map the tunnel 4 with VNID 2
(config-nvo)#vxlan static-entry host-mac 0000.0000.aaaa remote-vtep-ip 2.2.2.2	Configure a static entry for remote VM with MAC address and IP address.
(config-nvo)#exit	Exit the nvo mode
(config)#nvo vxlan access-if port xe2	Map the access port xe2 of this VTEP
(config-nvo-acc-if)#map vnid 2	Map the VNID 2 to access-port xe2
(config-nvo-acc-if)#exit	Exit the nvo access-if mode
(config)#commit	Perform commit operation for the changes to take effect.

VTEP2

#configure terminal	Enter the configure mode
(config)#interface xe2	Enter interface mode
(config-if)#switchport	Configure the interface as switchport
(config-if)#no shutdown	Bring the interface into operation with the no shutdown
(config-if)#exit	Exit interface mode
(config)#interface lo	Enter the configure mode
(config-if)#ip address 2.2.2.2/32 secondary	Configure IP address on the interface xe1
(config-if)#no shutdown	Bring the interface into operation with the no shutdown
(config-if)#exit	Exit interface mode
(config)#interface xe1	Enter the configure mode

(config-if)#ip address 5.5.5.4/24	Configure IP address on the interface xe1
(config-if)#no shutdown	Bring the interface into operation with the no shutdown
(config-if)#exit	Exit interface mode
(config)#ip route 1.1.1.1/32 5.5.5.2	Configure static route
(config)#nvo vxlan enable	Enable VXLAN globally on this vtep
(config)#interface tunnel 4	Specify the interface (Tunnel4)to be configured and Enter interface mode.
(config-if)#tunnel mode vxlan	Assign this tunnel mode as VXLAN
(config-if)#tunnel source 2.2.2.2	Configure the source IP of this tunnel as an IP address which is configured on the interface xe1 of VTEP1.
(config-if)#tunnel destination 1.1.1.1	Configure the destination IP of this tunnel as an IP address which is configured on the interface xe1 of VTEP2.
(config-if)#exit	Exit interface mode.
(config)#nvo vxlan id 2	Configure a VNID on this VTEP and enter the nvo mode.
(config-nvo)#vxlan map-network tunnel Tunnel4	Map the tunnel 4 with VNID 2
(config-nvo)#vxlan static-entry host-mac 0000.0000.bbbb remote-vtep-ip 1.1.1.1	Configure a static entry for remote VM with MAC address and IP address.
(config-nvo)#exit	Exit the nvo mode.
(config)#nvo vxlan access-if port xe2	Map the access port xe2 of this VTEP
(config-nvo-acc-if)#map vnid 2	Map the VNID 2 to access-port xe2
(config-nvo-acc-if)#exit	Exit the nvo access-if mode
(config)#commit	Perform commit operation for the changes to take effect.

Validation

VTEP1

```
VTEP1#show nvo vxlan tunnel
VXLAN Network tunnel Entries
  Source          Destination      Status          Up/Down         Update
=====
2.2.2.4          3.3.3.4         Installed       00:37:56       00:37:56
```

```
Total number of entries are 1
VTEP1#
```

```
VTEP1#show nvo vxlan
VXLAN Information
=====
Codes: NW - Network Port
       AC - Access Port
       (u) - Untagged

VNID   VNI-Name   VNI-Type Type Interface   ESI   VLAN DF-
Status Src-Addr   Dst-Addr
```

VXLAN Unicast Configuration

```
3          ----      L2      NW      ----      -----      ---- --
--      2.2.2.4      3.3.3.4
3          ----      --      AC      xe2      --- Single Homed Port ---      ---- ----
-----      -----
```

Total number of entries are 2

VTEP1#show nvo vxlan mac-table

```
=====
=====
```

VXLAN MAC Entries

```
=====
=====
```

VNID Type	Interface	VlanId Status	Inner-VlanId	Mac-Addr AccessPortDesc	VTEP-Ip/ESI
3	----	----	----	0000.0000.aaaa	3.3.3.4
Static Remote		-----		-----	
3	xe2	----	----	0000.0000.bbbb	Local
Local	-----		-----		Dynamic

Total number of entries are : 2

VTEP1#show nvo vxlan mac-table vnid 3

```
=====
=====
```

VXLAN MAC Entries

```
=====
=====
```

VNID Type	Interface	VlanId Status	Inner-VlanId	Mac-Addr AccessPortDesc	VTEP-Ip/ESI
3	----	----	----	0000.0000.aaaa	3.3.3.4
Static Remote		-----		-----	
3	xe2	----	----	0000.0000.bbbb	Local
Local	-----		-----		Dynamic

Total number of entries are : 2

RTR1

RTR1#show ip igmp groups

IGMP Connected Group Membership

Group Address	Interface	Uptime	Expires	State	Last Reporter
---------------	-----------	--------	---------	-------	---------------

```
2.2.2.1          xe1          00:11:25  00:03:44  Active  2.2.2.4
3.3.3.1          xe2          00:01:36  00:04:17  Active  3.3.3.4
```

VTEP2

```
VTEP2#show nvo vxlan tunnel
VXLAN Information
```

=====

```
Codes: NW - Network Port
       AC - Access Port
       (u) - Untagged
```

VNID	VNI-Name	VNI-Type	Type	Interface	ESI	VLAN	DF-
Status	Src-Addr	Dst-Addr					
3	----	L2	NW	----	-----	----	--
--	3.3.3.4	2.2.2.4					
3	----	L2	NW	----	-----	----	--
--	3.3.3.4	239.10.10.9					
3	----	--	AC	xe1	---	Single Homed Port	---
--	----	----					--

```
Total number of entries are 3
VTEP2#
```

```
VTEP#2show nvo vxlan vnid 3
VXLAN Information
```

=====

```
Codes: NW - Network Port
       AC - Access Port
       (u) - Untagged
```

VNID	VNI-Name	VNI-Type	Type	Interface	ESI	VLAN	DF-
Status	Src-Addr	Dst-Addr					
3	----	L2	NW	----	-----	----	--
--	3.3.3.4	2.2.2.4					
3	----	--	AC	xe2	---	Single Homed Port	---
--	----	----					--

```
Total number of entries are 2
VTEP#show vno vxlan mac-table
```

```
=====
=====
```

VXLAN MAC Entries

```
=====
=====
```

VNID	Interface	VlanId	Inner-VlanId	Mac-Addr	VTEP-IP/ESI
Type		Status		AccessPortDesc	

VXLAN Unicast Configuration

```
3          xe2          ----  ----          0000.0000.aaaa Local
Dynamic Local          -----
3          ----          ----  ----          0000.0000.bbbb 2.2.2.4
Static Remote          -----
```

Total number of entries are : 2

VTEP2#show nvo vxlan mac-table vnid 3

```
=====
=====
=====
                               VXLAN MAC Entries
=====
=====
=====
VNID      Interface  VlanId Inner-VlanId Mac-Addr      VTEP-Ip/ESI
Type                               AccessPortDesc
-----
3          xe2          ----  ----          0000.0000.aaaa Local
Dynamic Local          -----
3          ----          ----  ----          0000.0000.bbbb 2.2.2.4
Static Remote          -----
```

Total number of entries are : 2

Intermediate Non-VXLAN Router

This example is same as port mapping but we have an intermediate non VXLAN router. It does forwarding based on IP header.

Topology

The procedures in this section use the topology in [Figure 2-3](#)

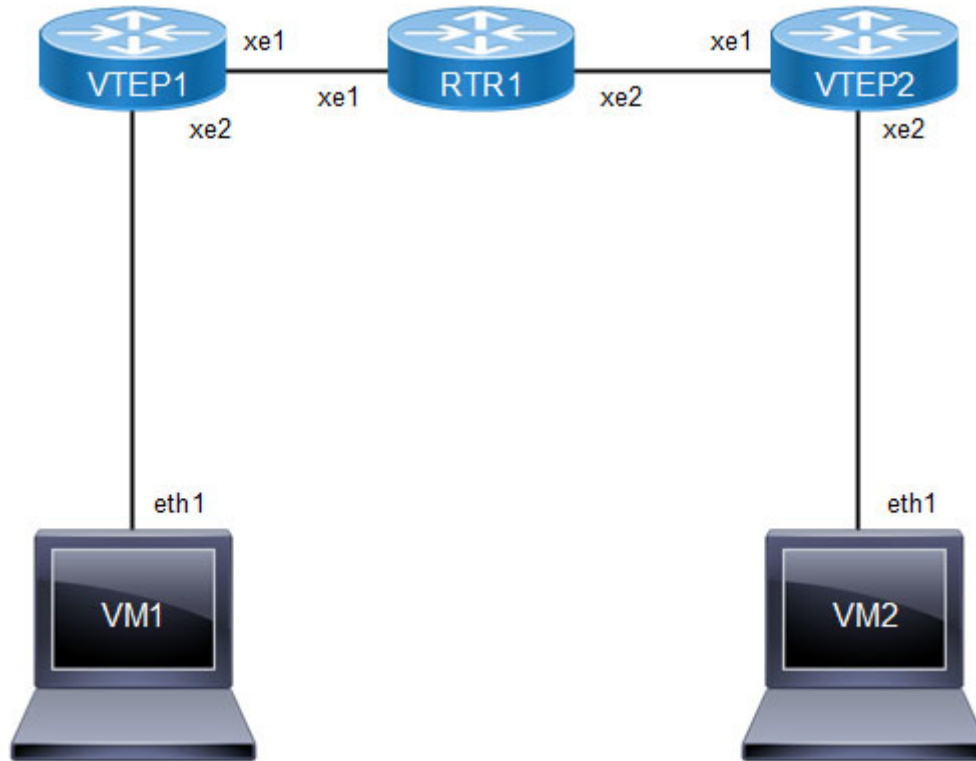


Figure 2-3: VXLAN unicast

VTEP1

#configure terminal	Enter the configure mode.
(config)#interface xe2	Enter interface mode.
(config-if)#switchport	Configure the interface as switchport.
(config-if)#no shutdown	Bring the interface into operation with the no shutdown
(config-if)#exit	Exit interface mode.
(config)#interface xe1	Enter the configure mode.
(config-if)#ip address 2.2.2.4/24	Configure IP address on the interface xe1.
(config-if)#no shutdown	Bring the interface into operation with the no shutdown
(config-if)#exit	Exit interface mode.
(config)#ip route 3.3.3.0/24 2.2.2.1	Configuring static route
(config)#nvo vxlan enable	Enable VXLAN globally on this vtep.
(config)#interface tunnel 4	Specify the interface (Tunnel4)to be configured and Enter interface mode.
(config-if)#tunnel mode vxlan	Assign this tunnel mode as VXLAN.
(config-if)#tunnel source 2.2.2.4	Configure the source IP of this tunnel as an IP address which is configured on the interface xe1 of VTEP1.
(config-if)#tunnel destination 3.3.3.4	Configure the destination IP of this tunnel as an IP address which is configured on the interface xe1 of VTEP2.
(config-if)#exit	Exit interface mode.
(config)#nvo vxlan id 3	Configure a VNID on this VTEP and enter the nvo mode.

VXLAN Unicast Configuration

(config-nvo)#vxlan map-network tunnel Tunnel4	Map the tunnel 4 with this VNID
(config-nvo)#vxlan static-entry host-mac 0000.0000.aaaa remote-vtep-ip 3.3.3.4	Configure a static entry for remote VM with MAC address and IP address.
(config)#nvo vxlan access-if port xe2	Map the access port xe2 of this VTEP
(config-nvo-acc-if)#map vnid 3	Map the VNID 2 to access-port xe2
(config-nvo-acc-if)#exit	Exit NVO access-interface mode
(config)#commit	Perform commit operation for the changes to take effect.

RTR1

(config)#interface xe1	Enter the configure mode.
(config-if)#ip address 2.2.2.1/24	Configure IP address on the interface xe1.
(config-if)#no shutdown	Bring the interface into operation with the no shutdown
(config-if)#exit	Exit interface mode.
(config)#interface xe2	Enter the configure mode.
(config-if)#ip address 3.3.3.1/24	Configure IP address on the interface xe2.
(config-if)#no shutdown	Bring the interface into operation with the no shutdown
(config-if)#exit	Exit interface mode.
(config)#commit	Perform commit operation for the changes to take effect.

VTEP2

#configure terminal	Enter the configure mode.
(config)#interface xe2	Enter interface mode.
(config-if)#switchport	Configure the interface as switchport.
(config-if)#no shutdown	Bring the interface into operation with the no shutdown
(config-if)#exit	Exit interface mode.
(config)#interface xe1	Enter the configure mode.
(config-if)#ip address 3.3.3.4/24	Configure IP address on the interface xe1.
(config-if)#no shutdown	Bring the interface into operation with the no shutdown
(config-if)#exit	Exit interface mode.
(config)#ip route 2.2.2.0/24 3.3.3.1	Configuring static route
(config)#nvo vxlan enable	Enable VXLAN globally on this vtep.
(config)#interface tunnel 4	Specify the interface (Tunnel4)to be configured and Enter interface mode.
(config-if)#tunnel mode vxlan	Assign this tunnel mode as VXLAN.
(config-if)#tunnel source 3.3.3.4	Configure the source IP of this tunnel as an IP address which is configured on the interface xe1 of VTEP1.
(config-if)#tunnel destination 2.2.2.4	Configure the destination IP of this tunnel as an IP address which is configured on the interface xe1 of VTEP2.
(config-if)#exit	Exit interface mode.
(config)#nvo vxlan id 3	Configure a VNID on this VTEP and enter the nvo mode.

(config-nvo)#vxlan map-network tunnel Tunnel4	Map the tunnel 4 with this VNID
(config-nvo)#vxlan static-entry host-mac 0000.0000.bbbb remote-vtep-ip 2.2.2.4	Configure a static entry for remote VM with MAC address and IP address.
(config)#nvo vxlan access-if port xe2	Map the access port xe2 of this VTEP
(config-nvo-acc-if)#map vnid 3	Map the VNID 3 to access-port xe2
(config-nvo-acc-if)#exit	Exit the NVO access interface mode
(config)#commit	Perform commit operation for the changes to take effect.

Validation

VTEP1

```
VTEP1#show nvo vxlan tunnel
VXLAN Network tunnel Entries
  Source           Destination      Status           Up/Down          Update
=====
2.2.2.4           3.3.3.4         Installed        00:37:56         00:37:56
Total number of entries are 1
VTEP1#
VTEP1#
VTEP1#show nvo vxlan
VXLAN Information
=====
Codes: NW - Network Port
      AC - Access Port
      (u) - Untagged

VNID      VNI-Name      VNI-Type Type Interface      ESI              VLAN DF-
Status Src-Addr      Dst-Addr
-----
3         ----         L2      NW      ----              -----          ---- --
--         2.2.2.4      3.3.3.4
3         ----         --      AC      xe2                --- Single Homed Port ---  ---- ----
-----

Total number of entries are 2
VTEP1#
VTEP1#show nvo vxlan mac-table
=====
=====
=====
VXLAN MAC Entries
=====
=====
=====
VNID      Interface  VlanId Inner-VlanId Mac-Addr      VTEP-Ip/ESI
Type                               Status                               AccessPortDesc
-----
-----
-----
```

VXLAN Unicast Configuration

```

3          ----      ----      ----      0000.0000.aaaa 3.3.3.4
Static Remote      -----
3          xe2      ----      ----      0000.0000.bbbb Local      Dynamic
Local      -----

```

Total number of entries are : 2

VTEP1#

VTEP1#

VTEP1#sh nvo vxlan mac-table vnid 3

```

=====
=====
=====

```

VXLAN MAC Entries

```

=====
=====
=====

```

VNID Type	Interface	VlanId Status	Inner-VlanId	Mac-Addr AccessPortDesc	VTEP-Ip/ESI
-----------	-----------	---------------	--------------	-------------------------	-------------

```

3          ----      ----      ----      0000.0000.aaaa 3.3.3.4
Static Remote      -----
3          xe2      ----      ----      0000.0000.bbbb Local      Dynamic
Local      -----

```

Total number of entries are : 2

VTEP1#

VTEP2

VTEP2#show nvo vxlan tunnel

VXLAN Network tunnel Entries

Source	Destination	Status	Up/Down	Update
3.3.3.4	2.2.2.4	Installed	00:34:02	00:34:02

Total number of entries are 1

VTEP2#show nvo vxlan

VXLAN Information

```

=====

```

Codes: NW - Network Port
AC - Access Port
(u) - Untagged

VNID Status	VNI-Name Src-Addr	VNI-Type Dst-Addr	Type	Interface	ESI	VLAN DF-
-------------	-------------------	-------------------	------	-----------	-----	----------

```

3      ----      L2      NW      ----      -----      ---- --
--      3.3.3.4      2.2.2.4
3      ----      --      AC      xe1      --- Single Homed Port ---      ---- --
--      ----      ----

```

Total number of entries are 2

VTEP2#sh nvo vxlan mac-table

```

=====
=====
=====

```

VXLAN MAC Entries

```

=====
=====
=====

```

VNID Type	Interface	VlanId Status	Inner-VlanId	Mac-Addr AccessPortDesc	VTEP-Ip/ESI
--------------	-----------	------------------	--------------	----------------------------	-------------

3	xe1	----	----	0000.0000.aaaa	Local
Dynamic	Local	-----		-----	
3	----	----	----	0000.0000.bbbb	2.2.2.4
Static	Remote	-----		-----	

Total number of entries are : 2

VTEP2#sh nvo vxlan mac-table vnid 3

```

=====
=====
=====

```

VXLAN MAC Entries

```

=====
=====
=====

```

VNID Type	Interface	VlanId Status	Inner-VlanId	Mac-Addr AccessPortDesc	VTEP-Ip/ESI
--------------	-----------	------------------	--------------	----------------------------	-------------

3	xe1	----	----	0000.0000.aaaa	Local
Dynamic	Local	-----		-----	
3	----	----	----	0000.0000.bbbb	2.2.2.4
Static	Remote	-----		-----	

Total number of entries are : 2

VTEP2#

CHAPTER 3 VXLAN-EVPN Configuration

This section contains basic VXLAN-EVPN configuration examples.

VXLAN (Virtual eXtended LAN) creates LAN segments using a MAC-in-IP encapsulation. The encapsulation carries the original L2 frame received from a host to the destination in another host using IP tunnels. The endpoints of the virtualized tunnel formed using VXLAN are called VTEPs (VXLAN Tunnel End Points). The VTEPs carry tenant data in L3 tunnels over the network which permits the network to support multiple tenants. The tenant data is not used in routing or switching. This aids in tenant machine movement and allows the tenants to have same IP/MAC addresses.

Information about the given VM to get to the VTEP is crucial in VXLAN protocol; therefore BGP-MP is used to carry this information across VTEPS.

Note: For port-channel/Static-channel interface, storm control will be applied on each member port. For Example: if Interface eth1 and interface eth2 is part of port-channel i.e. po1 and storm control 2mbps is applied for broadcast traffic, then the storm control settings will be applied on each member port and broadcast traffic on each member port will be rate limited to 2mbps each.

Topology

The procedures in this section use the topology in [Figure 3-4](#).

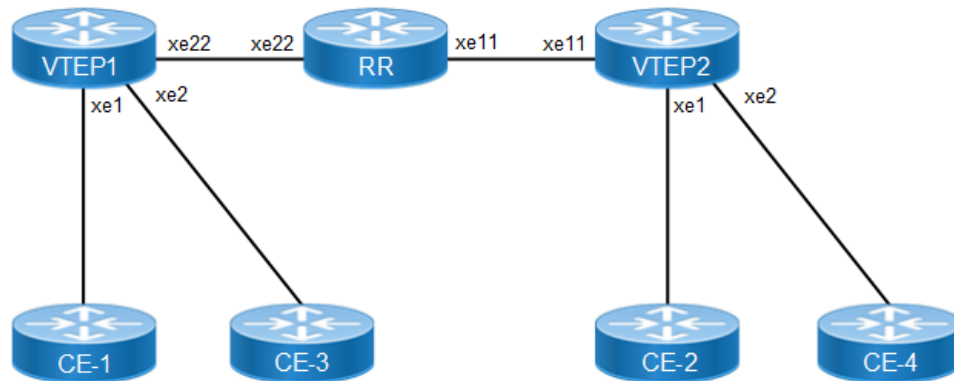


Figure 3-4: VXLAN EVPN

VTEP1

#configure terminal	Enter configure mode
(config)#interface xe1	Enter interface mode
(config-if)#switchport	Configure the interface as a switch port.
(config-if)#no shutdown	Bring the interface into operation
(config-if)#exit	Exit interface mode
(config)#interface xe2	Enter interface mode
(config-if)#switchport	Configure the interface as switch port.
(config-if)#no shutdown	Bring the interface into operation.
(config-if)#exit	Exit interface mode.
(config)#interface xe22	Enter interface mode.
(config-if)#ip address 10.1.1.1/24	Set an IP address on the interface.

VXLAN-EVPN Configuration

<code>(config-if)#no shutdown</code>	Bring the interface into operation.
<code>(config-if)#exit</code>	Exit interface mode.
<code>(config)#interface lo</code>	Enter interface mode.
<code>(config-if)#ip address 1.1.1.1/32 secondary</code>	Set an IP address on the interface.
<code>(config-if)#no shutdown</code>	Bring the interface into operation.
<code>(config-if)#exit</code>	Exit interface mode.
<code>(config)#router isis ABC</code>	Create an IS-IS routing instance (ABC).
<code>(config-router)#is-type level-1</code>	Configure instance as level-1-only routing.
<code>(config-router)#net 49.0001.1111.1111.1111.00</code>	Set a Network Entity Title for this instance, specifying the area address and the system ID.
<code>(config-router)#exit</code>	Exit router mode.
<code>(config)#interface xe22</code>	Enter interface mode
<code>(config-if)#ip router isis ABC</code>	Enable IS-IS routing on an interface (ABC).
<code>(config-if)#isis circuit-type level-1</code>	Configure instance as level-1-only routing.
<code>(config-if)#exit</code>	Exit interface mode.
<code>(config)#interface lo</code>	Enter interface mode.
<code>(config-if)#ip router isis ABC</code>	Enable IS-IS routing on an interface for area 49 (ABC).
<code>(config-if)#isis circuit-type level-1</code>	Configure instance as level-1-only routing.
<code>(config-if)#exit</code>	Exit interface mode.
<code>(config)#mac vrf vrf_evpn_100</code>	Configure a new VRF named <code>vrf_evpn_100</code> .
<code>(config-vrf)#rd 1.1.1.1:1</code>	Assign the Route Distinguisher value.
<code>(config-vrf)#route-target both 100:1</code>	Configure route target to import and export the routes.
<code>(config-vrf)#exit</code>	Exit VRF mode.
<code>(config)#router bgp 1</code>	Define the routing process. The number 1 specifies the AS number of VTEP1.
<code>(config-router)#bgp router-id 1.1.1.1</code>	Configure router-id for this BGP process.
<code>(config-router)#neighbor 2.2.2.2 remote-as 1</code>	Define BGP neighbor: 2.2.2.2 is the IP address of the neighbor (VTEP2), and 1 is the neighbor's AS number.
<code>(config-router)# neighbor 2.2.2.2 update- source 1.1.1.1</code>	Define BGP neighbor: 1.1.1.1 is the peer interface.
<code>(config-router)#address-family l2vpn evpn</code>	Configure address-family L2VPN EVPN.
<code>(config-router-af)#neighbor 2.2.2.2 activate</code>	Activate the neighbor in the EVPN address family.
<code>(config-router-af)#exit-address-family</code>	Exit the address-family mode.
<code>(config-router)#exit</code>	Exit router mode.
<code>(config)#nvo vxlan enable</code>	Enable VXLAN globally on this VTEP.
<code>(config)#nvo vxlan vtep-ip-global 1.1.1.1</code>	Assign a global IP to the VTEP.
<code>(config)#nvo vxlan id 100 ingress- replication</code>	Configure a VNID on this VTEP and enter NVO mode.
<code>(config-nvo)#vxlan host-reachability- protocol evpn-bgp vrf_evpn_100</code>	Configure host-reachability-protocol as BGP-EVPN and associate the VNID with <code>vrf_evpn_100</code> .
<code>(config-nvo)#exit</code>	Exit NVO mode.

(config)#nvo vxlan access-if port-vlan xe1 2	Configure access-port xe1 and map vlan 2
(config-nvo-acc-if)#map vnid 100	Map VNID 100 to access-port xe1.
(config-nvo-acc-if)#exit	Exit NVO access-if mode.
(config)#nvo vxlan id 200 ingress- replication	Configure second VNID on this VTEP and enter NVO mode.
(config-nvo)#vxlan host-reachability- protocol evpn-bgp vrf_evpn_100	Configure host-reachability-protocol as BGP-EVPN and associate the VNID with vrf_evpn_100
(config-nvo)#exit	Exit NVO mode.
(config)#nvo vxlan access-if port-vlan xe2 3	Configure access-port xe2 and map vlan 3
(config-nvo-acc-if)#map vnid 200	Map VNID 200 to access-port xe2.
(config-nvo-acc-if)#exit	Exit NVO access-if mode.
(config)#commit	Commit the configurations

RR

#configure terminal	Enter configure mode.
(config)#interface xe22	Enter interface mode.
(config-if)#ip address 10.1.1.2/24	Set an IP address on the interface.
(config-if)#no shutdown	Bring the interface into operation
(config-if)#exit	Exit interface mode.
(config)#interface xe11	Enter interface mode.
(config-if)#ip address 20.1.1.2/24	Set an IP address on the interface.
(config-if)#no shutdown	Bring the interface into operation
(config-if)#exit	Exit interface mode.
(config)#router isis ABC	Create an IS-IS routing instance (ABC).
(config-router)#is-type level-1	Configure instance as level-1-only routing.
(config-router)#net 49.0001.3333.3333.3333.00	Set a Network Entity Title for this instance, specifying the area address and the system ID.
(config-router)#exit	Exit router mode.
(config)#interface xe22	Enter interface mode.
(config-if)#ip router isis ABC	Enable IS-IS routing on an interface (ABC).
(config-if)#isis circuit-type level-1	Configure instance as level-1-only routing.
(config-if)#exit	Exit interface mode.
(config)#interface xe11	Enter interface mode.
(config-if)#ip router isis ABC	Enable IS-IS routing on an interface (ABC).
(config-if)#isis circuit-type level-1	Configure instance as level-1-only routing.
(config-if)#exit	Exit interface mode.
(config)#commit	Commit the configurations

VTEP2

#configure terminal	Enter configure mode.
(config)#interface xe1	Enter interface mode.
(config-if)#switchport	Configure the interface as switchport.
(config-if)#no shutdown	Bring the interface into operation
(config-if)#exit	Exit interface mode.
(config)#interface xe2	Enter interface mode.
(config-if)#switchport	Configure the interface as switchport.
(config-if)#no shutdown	Bring the interface into operation
(config-if)#exit	Exit interface mode.
(config)#interface xel1	Enter interface mode.
(config-if)#ip address 20.1.1.1/24	Set an IP address on the interface.
(config-if)#no shutdown	Bring the interface into operation
(config-if)#exit	Exit interface mode.
(config)#interface lo	Enter interface mode.
(config-if)#ip address 2.2.2.2/32 secondary	Set an IP address on the interface.
(config-if)#no shutdown	Bring the interface into operation
(config-if)#exit	Exit interface mode.
(config)#router isis ABC	Create an IS-IS routing instance (ABC).
(config-router)#is-type level-1	Configure instance as level-1-only routing.
(config-router)#net 49.0001.2222.2222.2222.00	Set a Network Entity Title for this instance, specifying the area address and the system ID.
(config-router)#exit	Exit router mode.
(config)#interface xel1	Enter interface mode.
(config-if)#ip router isis ABC	Enable IS-IS routing on an interface (ABC).
(config-if)#isis circuit-type level-1	Configure instance as level-1-only routing.
(config-if)#exit	Exit interface mode.
(config)#interface lo	Enter interface mode.
(config-if)#ip router isis ABC	Enable IS-IS routing on an interface for area 49 (ABC).
(config-if)#isis circuit-type level-1	Configure instance as level-1-only routing.
(config-if)#exit	Exit interface mode.
(config)#mac vrf vrf_evpn_100	Configure a new VRF named vrf_evpn_100.
(config-vrf)#rd 2.2.2.1:1	Assign the Route Distinguisher value.
(config-vrf)#route-target both 100:1	Configure route target to import and export the routes.
(config-vrf)#exit	Exit VRF mode.
(config)#router bgp 1	Define the routing process. The number 1 specifies the AS number of VTEP1.
(config-router)#neighbor 1.1.1.1 remote-as 1	Define BGP neighbor: 1.1.1.1 is the IP address of the neighbor (VTEP1), and 1 is the neighbor's AS number.
(config-router)# neighbor 1.1.1.1 update-source 2.2.2.2	Define BGP neighbor: 2.2.2.2 is the peer interface.

(config-router)#address-family l2vpn evpn	Configure address-family L2VPN EVPN.
(config-router-af)#neighbor 1.1.1.1 activate	Activate the neighbor in the EVPN address family.
(config-router-af)#exit-address-family	Exit address-family mode.
(config-router)#exit	Exit router mode.
(config)#nvo vxlan enable	Enable VXLAN globally on this VTEP.
(config)#nvo vxlan vtep-ip-global 2.2.2.2	Assign a global IP to the VTEP.
(config)#nvo vxlan id 100 ingress-replication	Configure a VNID on this VTEP and enter NVO mode.
(config-nvo)#vxlan host-reachability-protocol evpn-bgp vrf_evpn_100	Configure host-reachability-protocol as BGP-EVPN and associate the VNID with vrf_evpn_100.
(config-nvo)#exit	Exit NVO mode.
(config)#nvo vxlan access-if port-vlan xe1 2	Configure access-port xe1 and map vlan 2
(config-nvo-acc-if)#map vnid 100	Map VNID 100 to access-port xe1.
(config-nvo-acc-if)#exit	Exit NVO access-if mode.
(config)#nvo vxlan id 200 ingress-replication	Configure second VNID on this VTEP and enter NVO mode.
(config-nvo)#vxlan host-reachability-protocol evpn-bgp vrf_evpn_100	Configure host-reachability-protocol as BGP-EVPN and associate the VNID with vrf_evpn_100
(config-nvo)#exit	Exit NVO mode.
(config)#nvo vxlan access-if port-vlan xe2 3	Configure access-port xe2 and map vlan 3
(config-nvo-acc-if)#map vnid 200	Map VNID 200 to access-port xe2.
(config-nvo-acc-if)#exit	Exit NVO access-if mode.
(config)#commit	Commit the configurations

Validation

CE1 and CE2 have hosts configured with MAC addresses, IP addresses, and VLAN identifiers as shown below.

		VLAN	IP Address	Mac Address
VTEP1	CE-1	2	12.12.12.10	0000.0000.abab
VTEP2	CE-2	2	12.12.12.20	0000.0000.cdcd
VTEP1	CE-1	3	13.13.13.10	0000:0b60:25f2
VTEP2	CE-2	3	13.13.13.20	0000:0b60:25f3

Perform a tagged ping of VLAN 2 from CE1 to CE2 and vice-versa. Also perform a tagged ping of VLAN 3 from CE1 to CE2 and vice-versa.

VTEP Tunnel Status

```
VTEP-1#show nvo vxlan tunnel
```

```
VXLAN Network tunnel Entries
```

```
Source           Destination      Status           Up/Down          Update
```

```
=====
```

VXLAN-EVPN Configuration

```
1.1.1.1          2.2.2.2          Installed      00:05:53      00:05:53
```

Total number of entries are 1

```
VTEP-2#show nvo vxlan tunnel
```

VXLAN Network tunnel Entries

Source	Destination	Status	Up/Down	Update
2.2.2.2	1.1.1.1	Installed	00:05:46	00:05:46

Total number of entries are 1

VTEP ARP Cache

```
VTEP-1#sh nvo vxlan arp-cache
```

VXLAN ARP-CACHE Information

=====

ARP Timeout : 300 sec Random-Jitter-Max : 640

VNID	Ip-Addr	Mac-Addr	Type	Age-Out
200	13.13.13.10	0000.0b60.25f2	Dynamic Local	246
200	13.13.13.20	0000.0b60.25f3	Dynamic Remote	-----
100	12.12.12.20	0000.0000.cdcd	Dynamic Remote	-----
100	12.12.12.10	0000.0000.abab	Dynamic Local	246

Total number of entries are 4

```
VTEP-2#sh nvo vxlan arp-cache
```

VXLAN ARP-CACHE Information

=====

ARP Timeout : 300 sec Random-Jitter-Max : 640

VNID	Ip-Addr	Mac-Addr	Type	Age-
200	13.13.13.10	0000.0b60.25f2	Dynamic Remote	-----
200	13.13.13.20	0000.0b60.25f3	Dynamic Local	257
2				
100	12.12.12.10	0000.0000.abab	Dynamic Remote	-----
100	12.12.12.20	0000.0000.cdcd	Dynamic Local	257
2				

Total number of entries are 4

VTEP MAC Tables

```
VTEP-1#show nvo vxlan mac-table
```

=====

VXLAN MAC Entries

=====

VNID	Interface	VlanId	Inner-VlanId	Mac-Addr	VTEP-IP/ESI	Type
Status	AccessPortDesc					

=====

```

100      ----          ----          ----          0000.0000.cdcd      2.2.2.2
Dynamic Remote  -----          -----
100      xe1          2          ----          0000.0000.abab      1.1.1.1
Dynamic Local   -----          -----
200      xe2          3          ----          0000.0b60.25f2      1.1.1.1
Dynamic Local   -----          -----
200      ----          ----          ----          0000.0b60.25f3      2.2.2.2
Dynamic Remote  -----          -----
Total number of entries are : 4

```

VTEP-2#show nvo vxlan mac-table

```

=====
                          VXLAN MAC Entries
=====
VNID   Interface  VlanId   Inner-VlanId   Mac-Addr       VTEP-Ip/ESI     Type
Status   AccessPortDesc
-----
100     xe1         2         ----          0000.0000.cdcd  2.2.2.2
Dynamic Local   -----          -----
100     ----          ----          ----          0000.0000.abab  1.1.1.1
Dynamic Remote  -----          -----
200     ----          ----          ----          0000.0b60.25f2  1.1.1.1
Dynamic Remote  -----          -----
200     xe2         3         ----          0000.0b60.25f3  2.2.2.2
Dynamic Local   -----          -----
Total number of entries are : 4

```

VTEP MAC-IP BGP EVPN Entries

VTEP-1#show bgp l2vpn evpn mac-ip

RD[1.1.1.1:1] VRF[vrf_evpn_100]:

ESI	Eth-Tag	Mac-Address	IP-Address	VNID	L3VNID
Nexthop	GW-Type				
0	100	0000:0000:abab	12.12.12.10	100	0
1.1.1.1	--				
0	200	0000:0b60:25f2	13.13.13.10	200	0
1.1.1.1	--				

RD[2.2.2.2:1]

ESI	Eth-Tag	Mac-Address	IP-Address	VNID	L3VNID	Nexthop
GW-Type						
0	100	0000:0000:cdcd	12.12.12.20	100		0
2.2.2.2	--					
0	200	0000:0b60:25f3	13.13.13.20	200		0
2.2.2.2	--					

VTEP-2#show bgp l2vpn evpn mac-ip

RD[1.1.1.1:1]

ESI	Eth-Tag	Mac-Address	IP-Address	VNID	L3VNID
Nexthop	GW-Type				

```

0          100      0000:0000:abab  12.12.12.10  100      0
1.1.1.1   --
0          200      0000:0b60:25f2  13.13.13.10  200      0
1.1.1.1   --
    
```

```
RD[2.2.2.2:1] VRF[vrf_evpn_100]:
```

ESI	Eth-Tag	Mac-Address	IP-Address	VNID	L3VNID
Nexthop	GW-Type				
0	100	0000:0000:cdcd	12.12.12.20	100	0
2.2.2.2	--				
0	100	0000:0b60:25f2	13.13.13.10	100	0
2.2.2.2	--				

LAG as Access Port with ECMP on the Network Side

This section contains basic VXLAN EVPN configuration with LAG as an access port and ECMP on the network side.

Topology

The procedures in this section use the topology in [Figure 3-5](#).

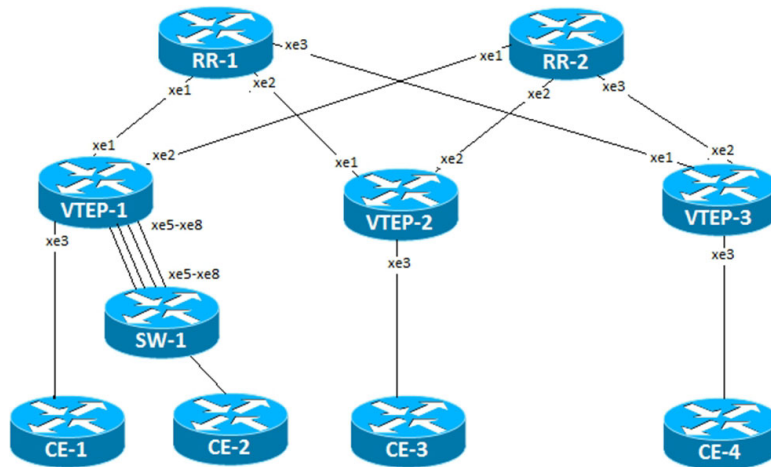


Figure 3-5: VXLAN EVPN with LAG and ECMP

SW-1

#configure terminal	Enter configure mode
(config)#bridge 1 protocol ieee vlan-bridge	Configure IEEE vlan bridge
(config)#vlan database	Enter into the vlan database
(config-vlan)#vlan 2 bridge 1 state enable	Configure vlan 2 and associate with bridge 1
(config-vlan)#vlan 3 bridge 1 state enable	Configure vlan 3 and associate with bridge 1
(config-vlan)#exit	Exit from the vlan database
(config)#in xe41	Enter interface mode
(config-if)#no shutdown	Make interface admin up
(config-if)#switchport	Set the interface as Layer2 port

(config-if)#bridge-group 1	Associate the Interface with bridge-group.
(config-if)#switchport mode trunk	Set the switching characteristics of this interface to trunk mode
(config-if)#switchport trunk allowed vlan add 2	Configure the VLANs that should be allowed through this interface
(config-if)#switchport trunk allowed vlan add 3	Configure the VLANs that should be allowed through this interface
(config-if)#exit	Exit interface mode.
(config)#interface po1	Enter interface mode
(config-if)#switchport	Set the interface as Layer2 port
(config-if)#exit	Exit interface mode.
(config)#in xe29	Enter interface mode
(config-if)#switchport	Set the interface as Layer2 port
(config-if)#channel-group 1 mode active	Configure the interface to be part of port channel 1
(config-if)#exit	Exit interface mode.
(config)#in xe30	Enter interface mode
(config-if)#switchport	Set the interface as Layer2 port
(config-if)#channel-group 1 mode active	Configure the interface to be part of port channel 1
(config-if)#exit	Exit interface mode.
(config)#in xe31	Enter interface mode
(config-if)#switchport	Set the interface as Layer2 port
(config-if)#channel-group 1 mode active	Configure the interface to be part of port channel 1
(config-if)#exit	Exit interface mode.
(config)#in xe32	Enter interface mode
(config-if)#switchport	Set the interface as Layer2 port
(config-if)#channel-group 1 mode active	Configure the interface to be part of port channel 1
(config-if)#exit	Exit interface mode.
(config-if)#inter po1	Enter interface mode
(config-if)#bridge-group 1	Associate the Interface with bridge-group.
(config-if)#switchport mode trunk	Set the switching characteristics of this interface to trunk mode
(config-if)#switchport trunk allowed vlan add 2	Configure the VLANs that should be allowed through this interface
(config-if)#switchport trunk allowed vlan add 3	Configure the VLANs that should be allowed through this interface
(config-if)#exit	Exit interface mode.
(config)#commit	Commit the configurations

VTEP-1

#configure terminal	Enter configure mode
(config)#interface po1	Create interface po1
(config-if)#switchport	Configure the interface as switchport.

VXLAN-EVPN Configuration

(config-if)#exit	Exit interface mode
(config)#interface xe3	Enter interface mode.
(config-if)#switchport	Configure the interface as switchport.
(config-if)#no shutdown	Bring the interface into operation
(config-if)#exit	Exit interface mode
(config)#interface xe5	Enter interface mode
(config-if)#switchport	Configure the interface as switchport.
(config-if)#channel-group 1 mode active	Configure the interface to be part of port channel 1
(config-if)#no shutdown	Bring the interface into operation
(config-if)#exit	Exit interface mode
(config)#interface xe6	Enter interface mode
(config-if)#switchport	Configure the interface as switchport.
(config-if)#channel-group 1 mode active	Configure the interface to be part of port channel 1
(config-if)#no shutdown	Bring the interface into operation
(config-if)#exit	Exit interface mode
(config)#interface xe7	Enter interface mode
(config-if)#switchport	Configure the interface as switchport.
(config-if)#channel-group 1 mode active	Configure the interface to be part of port channel 1
(config-if)#no shutdown	Bring the interface into operation
(config-if)#exit	Exit interface mode
(config)#interface xe8	Enter interface mode
(config-if)#switchport	Configure the interface as switchport.
(config-if)#channel-group 1 mode active	Configure the interface to be part of port channel 1
(config-if)#no shutdown	Bring the interface into operation
(config-if)#exit	Exit interface mode.
(config)#interface xe1	Enter interface mode.
(config-if)#ip address 10.1.1.0/31	Configure IP address on the interface xe1.
(config-if)#no shutdown	Bring the interface into operation
(config-if)#exit	Exit interface mode.
(config)#interface xe2	Enter interface mode.
(config-if)#ip address 10.1.1.2/31	Configure IP address on the interface xe2.
(config-if)#no shutdown	Bring the interface into operation
(config-if)#exit	Exit interface mode.
(config)#interface lo	Enter interface mode.
(config-if)#ip address 1.1.1.1/32 secondary	Configure IP address on the interface xe3.
(config-if)#no shutdown	Bring the interface into operation
(config-if)#exit	Exit interface mode.
(config)#router isis ABC	Create an IS-IS routing instance (ABC).
(config-router)#is-type level-1	Configure instance as level-1-only routing.
(config-router)#net	Set a Network Entity Title for this instance, specifying the

49.0001.1111.1111.1111.00	area address and the system ID.
(config-router)#exit	Exit router mode.
(config)#interface xe1	Enter interface mode.
(config-if)#ip router isis ABC	Enable IS-IS routing on an interface (ABC).
(config-if)#isis circuit-type level-1	Configure instance as level-1-only routing.
(config-if)#exit	Exit interface mode.
(config)#interface xe2	Enter interface mode.
(config-if)#ip router isis ABC	Enable IS-IS routing on an interface (ABC).
(config-if)#isis circuit-type level-1	Configure instance as level-1-only routing.
(config-if)#exit	Exit interface mode.
(config)#interface lo	Enter interface mode.
(config-if)#ip router isis ABC	Enable IS-IS routing on an interface for area 49 (ABC).
(config-if)#isis circuit-type level-1	Configure instance as level-1-only routing.
(config-if)#exit	Exit interface mode.
(config)#mac vrf vrf_evpn_100	Configure a new VRF named <code>vrf_evpn_100</code> .
(config-vrf)#rd 1.1.1.1:1	Assign the Route Distinguisher value.
(config-vrf)#route-target both 100:1	Configure route target to import and export the routes.
(config-vrf)#exit	Exit VRF mode.
(config)#load-balance rtag7	Enable load balancing for RTAG7 globally.
(config)#load-balance rtag7 ipv4 src-ipv4	Enable load balancing for RTAG7 for IPv4 for source IP.
(config)#router bgp 65535	Define the routing process. The number 65535 specifies the AS number of VTEP1.
(config-router)#bgp router-id 1.1.1.1	Configure router-id for this BGP process.
(config-router)#neighbor 2.2.2.2 remote-as 65535	Define BGP neighbor: 2.2.2.2 is the IP address of the neighbor (VTEP2), and 65535 is the neighbor's AS number.
(config-router)# neighbor 2.2.2.2 update-source 1.1.1.1	Define BGP neighbor: 1.1.1.1 is the peer interface.
(config-router)#neighbor 3.3.3.3 remote-as 65535	Define BGP neighbor: 3.3.3.3 is the IP address of the neighbor (VTEP3), and 65535 is the neighbor's AS number.
(config-router)# neighbor 3.3.3.3 update-source 1.1.1.1	Define BGP neighbor: 1.1.1.1 is the peer interface.
(config-router)#address-family l2vpn evpn	Configure address-family L2VPN EVPN.
(config-router-af)#neighbor 2.2.2.2 activate	Activate the neighbor at VTEP2 in the EVPN address family.
(config-router-af)#neighbor 3.3.3.3 activate	Activate the neighbor at VTEP3 in the EVPN address family.
(config-router-af)#exit-adress-family	Exit address-family mode.
(config-router)#exit	Exit router mode.
(config)#nvo vxlan enable	Enable VXLAN globally on this VTEP.
(config)#nvo vxlan vtep-ip-global 1.1.1.1	Assign a global IP to the VTEP.
(config)#nvo vxlan id 100001 ingress-replication	Configure a VNID on this VTEP and enter NVO mode.
(config-nvo)#vxlan host-reachability-protocol evpn-bgp vrf_evpn_100	Configure host-reachability-protocol as BGP-EVPN and associate the VNID with VRF <code>vrf_evpn_100</code> .

VXLAN-EVPN Configuration

(config-nvo)#exit	Exit NVO mode.
(config)#nvo vxlan access-if port-vlan xe3 2	Configure access-port xe3 and map vlan 2
(config-nvo-acc-if)#map vnid 100001	Map VNID 100001 to access-port xe3.
(config-nvo-acc-if)#exit	Exit NVO access-if mode.
(config)#nvo vxlan access-if port-vlan po1 2	Configure access-port po1 and map vlan 2
(config-nvo-acc-if)#map vnid 100001	Map VNID 100001 to access-port po1.
(config-nvo-acc-if)#exit	Exit NVO access-if mode.
(config)#nvo vxlan id 200001 ingress- replication	Configure second VNID on this VTEP and enter NVO mode.
(config-nvo)#vxlan host-reachability- protocol evpn-bgp vrf_evpn_100	Configure host-reachability-protocol as BGP-EVPN and associate the VNID with VRF vrf_evpn_100.
(config-nvo)#exit	Exit NVO mode.
(config)#nvo vxlan access-if port-vlan xe3 3	Configure access-port xe3 and map vlan 3
(config-nvo-acc-if)#map vnid 200001	Map VNID 200001 to access-port xe3.
(config-nvo-acc-if)#exit	Exit NVO access-if mode.
(config)#nvo vxlan access-if port-vlan po1 3	Configure access-port po1 and map vlan 3
(config-nvo-acc-if)#map vnid 200001	Map VNID 200001 to access-port xe3.
(config-nvo-acc-if)#exit	Exit NVO access-if mode.
(config)#commit	Commit the configurations

RR-1

#configure terminal	Enter configure mode.
(config)#interface lo	Enter interface mode
(config-if)#ip address 12.12.12.12/32 secondary	Set an IP address on the interface.
(config-if)#no shutdown	Bring the interface into operation
(config-if)#exit	Exit interface mode.
(config)#interface xe1	Enter interface mode.
(config-if)#ip address 10.1.1.1/31	Configure IP address on the interface xe1.
(config-if)#no shutdown	Bring the interface into operation
(config-if)#exit	Exit interface mode.
(config)#interface xe2	Enter interface mode.
(config-if)#ip address 20.1.1.1/31	Configure IP address on the interface xe2.
(config-if)#no shutdown	Bring the interface into operation
(config-if)#exit	Exit interface mode.
(config)#interface xe3	Enter interface mode.
(config-if)#ip address 30.1.1.1/31	Configure IP address on the interface xe3.
(config-if)#no shutdown	Bring the interface into operation
(config-if)#exit	Exit interface mode.

(config)#router isis ABC	Create an IS-IS routing instance (ABC).
(config-router)#is-type level-1	Configure instance as level-1-only routing.
(config-router)#net 49.0001.4444.4444.4444.00	Set a Network Entity Title for this instance, specifying the area address and the system ID.
(config-router)#exit	Exit router mode.
(config)#interface lo	Enter interface mode.
(config-if)#ip router isis ABC	Enable IS-IS routing on an interface (ABC).
(config-if)#isis circuit-type level-1	Configure instance as level-1-only routing.
(config-if)#exit	Exit interface mode.
(config)#interface xe1	Enter interface mode.
(config-if)#ip router isis ABC	Enable IS-IS routing on an interface (ABC).
(config-if)#isis circuit-type level-1	Configure instance as level-1-only routing.
(config-if)#exit	Exit interface mode.
(config)#interface xe2	Enter interface mode.
(config-if)#ip router isis ABC	Enable IS-IS routing on an interface (ABC).
(config-if)#isis circuit-type level-1	Configure instance as level-1-only routing.
(config-if)#exit	Exit interface mode.
(config)#interface xe3	Enter interface mode.
(config-if)#ip router isis ABC	Enable IS-IS routing on an interface (ABC).
(config-if)#isis circuit-type level-1	Configure instance as level-1-only routing.
(config-if)#exit	Exit interface mode.
(config)#commit	Commit the configurations

RR-2

#configure terminal	Enter configure mode.
(config)#interface lo	Enter interface mode.
(config-if)#ip address 13.13.13.13/32 secondary	Set an IP address on the interface.
(config-if)#no shutdown	Bring the interface into operation
(config-if)#exit	Exit interface mode.
(config)#interface xe1	Enter interface mode.
(config-if)#ip address 10.1.1.3/31	Configure IP address on the interface xe1.
(config-if)#no shutdown	Bring the interface into operation
(config-if)#exit	Exit interface mode.
(config)#interface xe2	Enter interface mode.
(config-if)#ip address 20.1.1.3/31	Configure IP address on the interface xe2.
(config-if)#no shutdown	Bring the interface into operation
(config-if)#exit	Exit interface mode.
(config)#interface xe3	Enter interface mode.
(config-if)#ip address 30.1.1.3/31	Configure IP address on the interface xe3.
(config-if)#no shutdown	Bring the interface into operation

VXLAN-EVPN Configuration

(config-if)#exit	Exit interface mode.
(config)#router isis ABC	Create an IS-IS routing instance (ABC).
(config-router)#is-type level-1	Configure instance as level-1-only routing.
(config-router)#net 49.0001.5555.5555.5555.00	Set a Network Entity Title for this instance, specifying the area address and the system ID.
(config-router)#exit	Exit router mode.
(config)#interface lo	Enter interface mode.
(config-if)#ip router isis ABC	Enable IS-IS routing on an interface (ABC).
(config-if)#isis circuit-type level-1	Configure instance as level-1-only routing.
(config-if)#exit	Exit interface mode.
(config)#interface xe1	Enter interface mode.
(config-if)#ip router isis ABC	Enable IS-IS routing on an interface (ABC).
(config-if)#isis circuit-type level-1	Configure instance as level-1-only routing.
(config-if)#exit	Exit interface mode.
(config)#interface xe2	Enter interface mode.
(config-if)#ip router isis ABC	Enable IS-IS routing on an interface (ABC).
(config-if)#isis circuit-type level-1	Configure instance as level-1-only routing.
(config-if)#exit	Exit interface mode.
(config)#interface xe3	Enter interface mode.
(config-if)#ip router isis ABC	Enable IS-IS routing on an interface (ABC).
(config-if)#isis circuit-type level-1	Configure instance as level-1-only routing.
(config-if)#exit	Exit interface mode.
(config)#commit	Commit the configurations

VTEP-2

#configure terminal	Enter configure mode
(config)#interface po1	Enter interface mode
(config-if)#switchport	Configure the interface as switchport
(config-if)#exit	Exit interface mode
(config)#interface xe3	Enter interface mode
(config-if)#switchport	Configure the interface as switchport.
(config-if)#no shutdown	Bring the interface into operation
(config-if)#exit	Exit interface mode.
(config)#interface xe1	Enter interface mode.
(config-if)#ip address 20.1.1.0/31	Configure IP address on the interface xe1.
(config-if)#no shutdown	Bring the interface into operation
(config-if)#exit	Exit interface mode.
(config)#interface xe2	Enter interface mode.
(config-if)#ip address 20.1.1.2/31	Configure IP address on the interface xe2.
(config-if)#no shutdown	Bring the interface into operation
(config-if)#exit	Exit interface mode.

(config)#interface lo	Enter interface mode.
(config-if)#ip address 2.2.2.2/32 secondary	Configure IP address on the interface xe3.
(config-if)#no shutdown	Bring the interface into operation
(config-if)#exit	Exit interface mode.
(config)#router isis ABC	Create an IS-IS routing instance (ABC).
(config-router)#is-type level-1	Configure instance as level-1-only routing.
(config-router)#net 49.0001.2222.2222.2222.00	Set a Network Entity Title for this instance, specifying the area address and the system ID.
(config-router)#exit	Exit router mode.
(config)#interface xe1	Enter interface mode.
(config-if)#ip router isis ABC	Enable IS-IS routing on an interface (ABC).
(config-if)#isis circuit-type level-1	Configure instance as level-1-only routing.
(config-if)#exit	Exit interface mode.
(config)#interface xe2	Enter interface mode.
(config-if)#ip router isis ABC	Enable IS-IS routing on an interface (ABC).
(config-if)#isis circuit-type level-1	Configure instance as level-1-only routing.
(config-if)#exit	Exit interface mode.
(config)#interface lo	Enter interface mode.
(config-if)#ip router isis ABC	Enable IS-IS routing on an interface for area 49 (ABC).
(config-if)#isis circuit-type level-1	Configure instance as level-1-only routing.
(config-if)#exit	Exit interface mode.
(config)#mac vrf vrf_evpn_100	Configure a new VRF named <code>vrf_evpn_100</code> .
(config-vrf)#rd 1.1.1.1:1	Assign the Route Distinguisher value.
(config-vrf)#route-target both 100:1	Configure route target to import and export the routes.
(config-vrf)#exit	Exit VRF mode.
(config)#load-balance rtag7	Enable load balancing for RTAG7 globally.
(config)#load-balance rtag7 ipv4 src-ipv4	Enable load balancing for RTAG7 for IPv4 for source IP.
(config)#router bgp 65535	Define the routing process. The number 65535 specifies the AS number of VTEP1.
(config-router)#neighbor 1.1.1.1 remote-as 65535	Define BGP neighbor: 1.1.1.1 is the IP address of the neighbor (VTEP1), and 65535 is the neighbor's AS number.
(config-router)#neighbor 1.1.1.1 update-source 2.2.2.2	Define BGP neighbor: 2.2.2.2 is the peer interface.
(config-router)#neighbor 3.3.3.3 remote-as 65535	Define BGP neighbor: 3.3.3.3 is the IP address of the neighbor (VTEP3), and 65535 is the neighbor's AS number.
(config-router)#neighbor 3.3.3.3 update-source 2.2.2.2	Define BGP neighbor: 2.2.2.2 is the peer interface.
(config-router)#address-family l2vpn evpn	Configure address-family L2VPN EVPN.
(config-router-af)#neighbor 1.1.1.1 activate	Activate the neighbor at VTEP1 in the EVPN address family.
(config-router-af)#neighbor 3.3.3.3 activate	Activate the neighbor at VTEP3 in the EVPN address family.
(config-router-af)#exit-adress-family	Exit address-family mode.

VXLAN-EVPN Configuration

(config-router)#exit	Exit router mode.
(config)#nvo vxlan enable	Enable VXLAN globally on this VTEP.
(config)#nvo vxlan vtep-ip-global 2.2.2.2	Assign a global IP to the VTEP.
(config)#nvo vxlan id 100001 ingress-replication	Configure a VNID on this VTEP and enter NVO mode.
(config-nvo)#vxlan host-reachability-protocol evpn-bgp vrf_evpn_100	Configure host-reachability-protocol as BGP-EVPN and associate the VNID with VRF vrf_evpn_100.
(config-nvo)#exit	Exit NVO mode.
(config)#nvo vxlan access-if port-vlan xe3 2	Configure access-port xe3 and map vlan 2
(config-nvo-acc-if)#map vnid 100001	Map VNID 100001 to access-port xe3.
(config-nvo-acc-if)#exit	Exit NVO access-if mode.
(config)#nvo vxlan id 200001 ingress-replication	Configure second VNID on this VTEP and enter NVO mode.
(config-nvo)#vxlan host-reachability-protocol evpn-bgp vrf_evpn_100	Configure host-reachability-protocol as BGP-EVPN and associate the VNID with VRF vrf_evpn_100.
(config-nvo)#exit	Exit NVO mode.
(config)#nvo vxlan access-if port-vlan xe3 3	Configure access-port xe3 and map vlan 3
(config-nvo-acc-if)#map vnid 200001	Map VNID 200001 to access-port xe3.
(config-nvo-acc-if)#exit-address-family	Exit NVO access-if mode.
(config)#commit	Commit the configurations

VTEP-3

#configure terminal	Enter configure mode.
(config)#interface xe3	Enter interface mode.
(config-if)#switchport	Configure the interface as switchport.
(config-if)#no shutdown	Bring the interface into operation
(config-if)#exit	Exit interface mode.
(config)#interface xe1	Enter interface mode.
(config-if)#ip address 30.1.1.0/31	Configure IP address on the interface xe1.
(config-if)#no shutdown	Bring the interface into operation
(config-if)#exit	Exit interface mode.
(config)#interface xe2	Enter interface mode.
(config-if)#ip address 30.1.1.2/31	Configure IP address on the interface xe2.
(config-if)#no shutdown	Bring the interface into operation
(config-if)#exit	Exit interface mode.
(config)#interface lo	Enter interface mode.
(config-if)#ip address 3.3.3.3/32 secondary	Configure IP address on the loopback interface.
(config-if)#no shutdown	Bring the interface into operation
(config-if)#exit	Exit interface mode.
(config)#router isis ABC	Create an IS-IS routing instance (ABC).

(config-router)#is-type level-1	Configure instance as level-1-only routing.
(config-router)#net 49.0001.3333.3333.3333.00	Set a Network Entity Title for this instance, specifying the area address and the system ID.
(config-router)#exit	Exit router mode.
(config)#interface xe1	Enter interface mode.
(config-if)#ip router isis ABC	Enable IS-IS routing on an interface (ABC).
(config-if)#isis circuit-type level-1	Configure instance as level-1-only routing.
(config-if)#exit	Exit interface mode.
(config)#interface xe2	Enter interface mode.
(config-if)#ip router isis ABC	Enable IS-IS routing on an interface (ABC).
(config-if)#isis circuit-type level-1	Configure instance as level-1-only routing.
(config-if)#exit	Exit interface mode.
(config)#interface lo	Enter interface mode.
(config-if)#ip router isis ABC	Enable IS-IS routing on an interface for area 49 (ABC).
(config-if)#isis circuit-type level-1	Configure instance as level-1-only routing.
(config-if)#exit	Exit interface mode.
(config)#mac vrf vrf_evpn_100	Configure a new VRF named vrf_evpn_100.
(config-vrf)#rd 1.1.1.1:1	Assign the Route Distinguisher value.
(config-vrf)#route-target both 100:1	Configure route target to import and export the routes.
(config-vrf)#exit	Exit VRF mode.
(config)#load-balance rtag7	Enable load balancing for RTAG7 globally.
(config)#load-balance rtag7 ipv4 src-ipv4	Enable load balancing for RTAG7 for IPv4 for source IP.
(config)#router bgp 65535	Define the routing process. The number 65535 specifies the AS number of VTEP1.
(config-router)#neighbor 1.1.1.1 remote-as 65535	Define BGP neighbor: 1.1.1.1 is the IP address of the neighbor (RR1), and 65535 is the neighbor's AS number.
(config-router)#neighbor 1.1.1.1 update-source 3.3.3.3	Define BGP neighbor: 3.3.3.3 is the peer interface.
(config-router)#neighbor 2.2.2.2 remote-as 65535	Define BGP neighbor: 2.2.2.2 is the IP address of the neighbor (VTEP3), and 65535 is the neighbor's AS number.
(config-router)#neighbor 2.2.2.2 update-source 3.3.3.3	Define BGP neighbor: 3.3.3.3 is the peer interface.
(config-router)#address-family l2vpn evpn	Configure address-family L2VPN EVPN.
(config-router-af)#neighbor 1.1.1.1 activate	Activate the neighbor at VTEP1 in the EVPN address family.
(config-router-af)#neighbor 2.2.2.2 activate	Activate the neighbor at VTEP2 in the EVPN address family.
(config-router-af)#exit-adress-family	Exit address-family mode.
(config-router)#exit	Exit router mode.
(config)#nvo vxlan enable	Enable VXLAN globally on this VTEP.
(config)#nvo vxlan vtep-ip-global 3.3.3.3	Assign a global IP to the VTEP.
(config)#nvo vxlan id 100001 ingress-replication	Configure a VNID on this VTEP and enter NVO mode.

(config-nvo)#vxlan host-reachability-protocol evpn-bgp vrf_evpn_100	Configure host-reachability-protocol as BGP-EVPN and associate the VNID with VRF <code>vrf_evpn_100</code> .
(config-nvo)#exit	Exit NVO mode.
(config)#nvo vxlan access-if port-vlan xe3 2	Configure access-port xe3 and map vlan 2
(config-nvo-acc-if)#map vnid 100001	Map VNID 100001 to access-port xe3.
(config-nvo-acc-if)#exit-address-family	Exit NVO access-if mode.
(config)#nvo vxlan id 200001 ingress-replication	Configure second VNID on this VTEP and enter NVO mode.
(config-nvo)#vxlan host-reachability-protocol evpn-bgp vrf_evpn_100	Configure host-reachability-protocol as BGP-EVPN and associate the VNID with VRF <code>vrf_evpn_100</code>
(config-nvo)#exit	Exit NVO mode.
(config)#nvo vxlan access-if port-vlan xe3 3	Configure access-port xe3 and map vlan 3
(config-nvo-acc-if)#map vnid 200001	Map VNID 200001 to access-port xe3.
(config-nvo-acc-if)#exit	Exit NVO access-if mode.
(config)#commit	Commit the configurations

Validation

CE1, CE2, CE3, and CE4 have hosts configured with MAC addresses, IP addresses, and VLAN identifiers as shown below.

		VLAN	IP Address	MAC Address
VTEP1	CE-1	2	12.12.12.10	0000.0000.aaaa
VTEP1	CE-2	2	12.12.12.20	0000.0000.bbbb
VTEP2	CE-3	2	12.12.12.30	0000.0000.cccc
VTEP3	CE-4	2	12.12.12.40	0000.0000.dddd
VTEP1	CE-1	3	14.14.14.10	0000.058e.2181
VTEP1	CE-2	3	14.14.14.20	0000.058e.2182
VTEP2	CE-3	3	14.14.14.30	0000.058e.2183
VTEP3	CE-4	3	14.14.14.40	0000.058e.2184

Perform a tagged ping of VLAN 2 from CE1 to CE2,CE3 and CE4 and vice-versa. Also perform a tagged ping of VLAN 3 from CE1 to CE2, CE3 and CE4 and vice-versa.

VTEP Tunnel Status

VTEP1#show nvo vxlan tunnel

VXLAN Network tunnel Entries

Source	Destination	Status	Up/Down	Update
1.1.1.1	3.3.3.3	Installed	01:25:20	01:25:20
1.1.1.1	2.2.2.2	Installed	01:35:19	01:35:19

Total number of entries are 2

VTEP2#show nvo vxlan tunnel
 VXLAN Network tunnel Entries

Source	Destination	Status	Up/Down	Update
2.2.2.2	1.1.1.1	Installed	01:35:42	01:35:42
2.2.2.2	3.3.3.3	Installed	01:25:43	01:25:43

Total number of entries are 2

VTEP3#show nvo vxlan tunnel
 VXLAN Network tunnel Entries

Source	Destination	Status	Up/Down	Update
3.3.3.3	2.2.2.2	Installed	01:25:35	01:25:35
3.3.3.3	1.1.1.1	Installed	01:25:35	01:25:35

Total number of entries are 2

VTEP ARP Tables

VTEP-1#show nvo vxlan arp-cache
 VXLAN ARP-CACHE Information

=====
 ARP Timeout : 300 sec Random-Jitter-Max : 640

VNID	Ip-Addr	Mac-Addr	Type	Age-Out	Retries-Left
200	13.13.13.10	0000.0b60.25f2	Dynamic Local	246	2
200	13.13.13.20	0000.0b60.25f3	Dynamic Remote	-----	
100	12.12.12.20	0000.0000.cdcd	Dynamic Remote	-----	
100	12.12.12.10	0000.0000.abab	Dynamic Local	246	2

Total number of entries are 4

VTEP-2#sh nvo vxlan arp-cache
 VXLAN ARP-CACHE Information

=====
 ARP Timeout : 300 sec Random-Jitter-Max : 640

VNID	Ip-Addr	Mac-Addr	Type	Age-Out	Retries-Left
200	13.13.13.10	0000.0b60.25f2	Dynamic Remote	-----	
200	13.13.13.20	0000.0b60.25f3	Dynamic Local	257	2
100	12.12.12.10	0000.0000.abab	Dynamic Remote	-----	
100	12.12.12.20	0000.0000.cdcd	Dynamic Local	257	2

Total number of entries are 4

VTEP3#show nvo vxlan arp-cache
 VXLAN ARP-CACHE Information

=====
 ARP Timeout : 300 sec Random-Jitter-Max : 640

VNID	Ip-Addr	Mac-Addr	Type	Age-Out	Retries-Left
------	---------	----------	------	---------	--------------

VXLAN-EVPN Configuration

```
100001 12.12.12.30 0000.0000.cccc Dynamic Remote ----
100001 12.12.12.10 0000.0000.aaaa Dynamic Remote ----
100001 12.12.12.20 0000.0000.bbbb Dynamic Remote ----
100001 12.12.12.40 0000.0000.dddd Dynamic Local ----
200001 14.14.14.20 0000.058e.2182 Dynamic Remote ----
200001 14.14.14.10 0000.058e.2181 Dynamic Remote ----
200001 14.14.14.40 0000.058e.2184 Dynamic Local ----
200001 14.14.14.30 0000.058e.2183 Dynamic Remote ----
Total number of entries are 8
VTEP3#
```

VTEP MAC Tables

```
VTEP1#show nvo vxlan mac-table
```

```
=====
VXLAN MAC Entries
=====
VNID      Interface  VlanId  Inner-VlanId  Mac-Addr      VTEP-Ip/ESI
      Type                Status                AccessPortDesc
-----
1         xe1/1      1000    2000          0000.339a.9abb 33.33.33.0
      Dynamic Local          -----
1         ----      ----    ----          0000.339a.9397 34.34.34.0
      Dynamic Remote          -----
```

```
Total number of entries are : 2
```

```
VTEP2#show nvo vxlan mac-table
```

```
=====
VXLAN MAC Entries
=====
VNID      Interface  VlanId  Inner-VlanId  Mac-Addr      VTEP-Ip/ESI
      Type                Status                AccessPortDesc
-----
1         ----      ----    ----          0000.339a.9abb 33.33.33.0
      Dynamic Remote          -----
1         xe1/1      1000    2000          0000.339a.9397 34.34.34.0
      Dynamic Local          -----
```

```
Total number of entries are : 2
```

VTEP MAC-IP BGP EVPN Entries

VTEP-1#show bgp l2vpn evpn mac-ip

RD[1.1.1.1:1] VRF[vrf_evpn_100]:

ESI Nexthop	Eth-Tag GW-Type	Mac-Address	IP-Address	VNID	L3VNID
0 1.1.1.1	100 --	0000:0000:abab	12.12.12.10	100	0
0 1.1.1.1	200 --	0000:0b60:25f2	13.13.13.10	200	0

RD[2.2.2.2:1]

ESI GW-Type	Eth-Tag	Mac-Address	IP-Address	VNID	L3VNID	Nexthop
0 2.2.2.2	100 --	0000:0000:cdcd	12.12.12.20	100		0
0 2.2.2.2	200 --	0000:0b60:25f3	13.13.13.20	200		0

VTEP-2#show bgp l2vpn evpn mac-ip

RD[1.1.1.1:1]

ESI Nexthop	Eth-Tag GW-Type	Mac-Address	IP-Address	VNID	L3VNID
0 1.1.1.1	100 --	0000:0000:abab	12.12.12.10	100	0
0 1.1.1.1	200 --	0000:0b60:25f2	13.13.13.10	200	0

RD[2.2.2.2:1] VRF[vrf_evpn_100]:

ESI Nexthop	Eth-Tag GW-Type	Mac-Address	IP-Address	VNID	L3VNID
0 2.2.2.2	100 --	0000:0000:cdcd	12.12.12.20	100	0
0 2.2.2.2	100 --	0000:0b60:25f2	13.13.13.10	100	0

VTEP-3#show bgp l2vpn evpn mac-ip

RD[1.1.1.1:1] VRF[vrf_evpn_100]:

ESI VNID	L3VNID	Eth-Tag Nexthop	Mac-Address GW-Type	IP-Address
0 100001	0	100001 3.3.3.3	0000:0000:dddd --	--
0 100001	0	100001 3.3.3.3	0000:0000:dddd --	12.12.12.40
0 200001	0	200001 3.3.3.3	0000:058e:2184 --	--
0 200001	0	200001 3.3.3.3	0000:058e:2184 --	14.14.14.40

RD[1.1.1.1:1]

VXLAN-EVPN Configuration

ESI VNID	L3VNID	Eth-Tag Nexthop	Mac-Address GW-Type	IP-Address
0		100001	0000:0000:aaaa	--
100001	0	1.1.1.1	--	
0		100001	0000:0000:aaaa	12.12.12.10
100001	0	1.1.1.1	--	
0		100001	0000:0000:bbbb	--
100001	0	1.1.1.1	--	
0		100001	0000:0000:bbbb	12.12.12.20
100001	0	1.1.1.1	--	
0		100001	0000:0000:cccc	--
100001	0	2.2.2.2	--	
0		100001	0000:0000:cccc	12.12.12.30
100001	0	2.2.2.2	--	
0		200001	0000:058e:2181	--
200001	0	1.1.1.1	--	
0		200001	0000:058e:2181	14.14.14.10
200001	0	1.1.1.1	--	
0		200001	0000:058e:2182	--
200001	0	1.1.1.1	--	
0		200001	0000:058e:2182	14.14.14.20
200001	0	1.1.1.1	--	
0		200001	0000:058e:2183	--
200001	0	2.2.2.2	--	
0		200001	0000:058e:2183	14.14.14.30
200001	0	2.2.2.2	--	

CHAPTER 4 VXLAN EVPN EVC Configuration

This chapter shows how to configure VXLAN EVPN Ethernet Virtual Circuit (EVC) which embeds the functionality of EVPN-VXLAN access ports to allow EVC frames across VTEPs. With this configuration, customers in the same VLAN can communicate even they are placed across distributed data centers.

Overview

An EVC represents a logical relationship between Ethernet User Network Interface (UNI) in a provider-based Ethernet service. An EVC represents the service offered and is carried through the provider network. Each EVC is configured by a unique name across the provider network.

An EVC is an end-to-end representation of a single instance of a Layer 2 service that a service provider offers. An EVC embodies the different parameters based on which the service is offered. EVC prevents data transfer between sites that are not part of the same EVC.

EVC is an A-Z circuit that enables you to pass customer VLANs from one port on a node to another port on another node in the network. EVC represents a Carrier Ethernet service and is an entity that provides end-to-end connection between two or more customer end points.

Topology

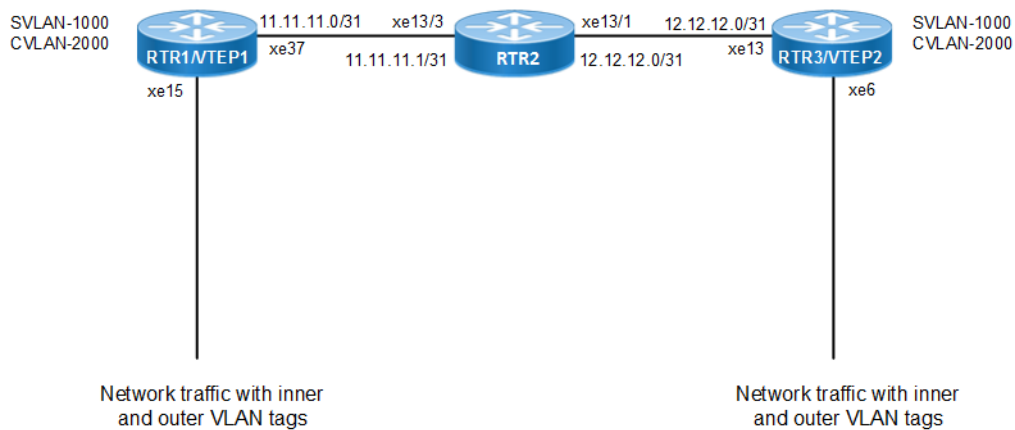


Figure 4-6: VXLAN EVPN EVC

RTR1/VTEP1

#configure terminal	Enter configure mode.
(config)#interface lo	Enter interface mode for loopback.
(config-if)#ip address 33.33.33.0/31 secondary	Assign secondary IP address.
(config-if)#exit	Exit interface mode.
(config)#mac vrf vrf1	Create mac routing/forwarding instance with vrf1 name and enter into VRF mode
(config-vrf)# rd 100:11	Assign RD value

VXLAN EVPN EVC Configuration

(config-vrf)# route-target export 200:11	Assign route-target value for export
(config-vrf)# route-target import 400:11	Assign route-target value for import
(config-vrf)#exit	Exit VRF configuration mode
(config)#interface xe37	Enter interface mode for xe37
(config-if)#ip address 11.11.11.0/31	Assign IP address in /31 mask.
(config-if)#exit	Exit interface mode.
(config)#interface xe15	Enter interface mode for xe15
(config-if)#switchport	Make it L2 interface
(config-if)#exit	Exit interface mode.
(config)#router bgp 100	Enter BGP router mode
(config-router)# bgp router-id 1.1.1.1	Assign BGP router ID
(config-router)#neighbor 11.11.11.1 remote-as 200	Specify a neighbor router with peer IP address and remote-as defined
(config-router)#neighbor 11.11.11.1 fall-over bfd	Configure single-hop BFD session for its BGP peer
(config-router)#address-family ipv4 unicast	Enter into ipv4 unicast address family
(config-router-af)#network 33.33.33.0/31	Advertise loopback network into BGP for VTEP ID reachability
(config-router-af)#exit-address-family	Exit ipv4 unicast address family mode
(config-router)#address-family l2vpn evpn	Enter into l2vpn address family mode
(config-router-af)#neighbor 11.11.11.1 activate	Activate the peer into address family mode
(config-router-af)#exit-address-family	Exit l2vpn address family mode
(config-router)#exit	Exit BGP router mode
(config)#nvo vxlan enable	Enable VXLAN
(config)#nvo vxlan vtep-ip-global 33.33.33.0	Configure Source vtep-ip-global configuration
(config)#nvo vxlan id 1 ingress-replication inner-vid-disabled	Configure VXLAN Network identifier with/without inner-vid-disabled configure and enter into VXLAN tenant mode
(config-nvo)#vxlan host-reachability-protocol evpn-bgp vrf1	Assign VRF for evpn-bgp to carry EVPN route
(config-nvo)#exit	Exit VXLAN tenant mode.
(config)#nvo vxlan access-if port-vlan xe15 1000 inner-vlan 2000	Enable port-vlan mapping i.e. access port to outer-vlan (SVLAN) and inner-vlan (CVLAN) mapping
(config-nvo-acc-if)#map vnid 1	Map VXLAN Identified to access-port for VXLAN
(config-nvo-acc-if)#exit	Exit VXLAN access-interface mode
(config)#commit	Commit the candidate configuration to the running configuration
(config)#exit	Exit configuration mode

RTR2

#configure terminal	Enter configure mode.
(config)#interface xe13/3	Enter interface mode for xe13/3
(config-if)#ip address 11.11.11.1/31	Assign IP address in /31 mask.

(config-if)#exit	Exit interface mode.
(config)#interface xe13/1	Enter interface mode for xe13/1
(config-if)#ip address 12.12.12.1/31	Assign IP address in /31 mask.
(config-if)#exit	Exit interface mode
(config)#router bgp 200	Enter BGP router mode
(config-router)# bgp router-id 2.2.2.2	Assign BGP router ID
(config-router)#neighbor 11.11.11.0 remote-as 100	Specify a neighbor router with peer ip address and remote-as defined
(config-router)#neighbor 11.11.11.0 fall-over bfd	Configure single-hop BFD session for its BGP peer
(config-router)#neighbor 12.12.12.0 remote-as 300	Specify a neighbor router with peer ip address and remote-as defined
(config-router)#neighbor 12.12.12.0 fall-over bfd	Configure single-hop BFD session for its BGP peer
(config-router)#address-family l2vpn evpn	Enter into l2vpn address family mode
(config-router-af)#neighbor 11.11.11.0 activate	Activate the peer into address family mode
(config-router-af)#neighbor 12.12.12.0 activate	Activate the peer into address family mode
(config-router-af)#exit-address-family	Exit l2vpn address family mode
(config-router)#commit	Commit the candidate configuration to the running configuration
(config-router)#exit	Exit BGP router mode

RTR3/VTEP2

#configure terminal	Enter configure mode.
(config)#interface lo	Enter interface mode for loopback.
(config-if)#ip address 34.34.34.0/31 secondary	Assign secondary IP address.
(config-if)#exit	Exit interface mode.
(config)#mac vrf vrf1	Create mac routing/forwarding instance with vrf1 name and enter into vrf mode
(config-vrf)#rd 300:11	Assign RD value
(config-vrf)#route-target export 400:11	Assign route-target value for export
(config-vrf)#route-target import 200:11	Assign route-target value for import
(config-vrf)#exit	Exit vrf configuration mode
(config)#interface xe13	Enter interface mode for xe13
(config-if)#ip address 12.12.12.0/31	Assign IP address in /31 mask.
(config-if)#exit	Exit interface mode.
(config)#interface xe6	Enter interface mode for xe6
(config-if)#switchport	Make it L2 interface
(config-if)#exit	Exit interface mode.
(config)#router bgp 300	Enter BGP router mode
(config-router)# bgp router-id 3.3.3.3	Assign BGP router ID

VXLAN EVPN EVC Configuration

(config-router)#neighbor 12.12.12.1 remote-as 200	Specify a neighbor router with peer ip address and remote-as defined
(config-router)#neighbor 12.12.12.1 fall-over bfd	Configure single-hop BFD session for its BGP peer
(config-router)#address-family ipv4 unicast	Enter into ipv4 unicast address family
(config-router-af)#network 34.34.34.0/31	Advertise loopback network into BGP for VTEP ID reachability
(config-router-af)#exit-address-family	Exit ipv4 unicast address family mode
(config-router)#address-family l2vpn evpn	Enter into l2vpn address family mode
(config-router-af)#neighbor 12.12.12.1 activate	Activate the peer into address family mode
(config-router-af)#exit-address-family	Exit l2vpn address family mode
(config-router)#exit	Exit BGP router mode
(config)#nvo vxlan enable	Enable VXLAN
(config)#nvo vxlan vtep-ip-global 34.34.34.0	Configure Source vtep-ip-global configuration
(config)#nvo vxlan id 1 ingress-replication inner-vid-disabled	Configure VXLAN Network identifier with/without inner-vid-disabled configure and enter into VXLAN tenant mode
(config-nvo)#vxlan host-reachability-protocol evpn-bgp vrf1	Assign VRF for evpn-bgp to carry EVPN route
(config-nvo)#exit	Exit VXLAN tenant mode.
(config)#nvo vxlan access-if port-vlan xe6 1000 inner-vlan 2000	Enable port-vlan mapping i.e. access port to outer-vlan (SVLAN) and inner-vlan (CVLAN) mapping
(config-nvo-acc-if)#map vnid 1	Map VXLAN Identified to access-port for VXLAN
(config-nvo-acc-if)#exit	Exit VXLAN access-interface mode
(config)#commit	Commit the candidate configuration to the running configuration
(config)#exit	Exit configuration mode

Validation

Retaining SVLAN and CVLAN tags across Data Centers

RTR1/VTEP1

```
VTEP1#show running-config nvo vxlan
!
nvo vxlan enable
!
nvo vxlan vtep-ip-global 33.33.33.0
!
nvo vxlan id 1 ingress-replication inner-vid-disabled
  vxlan host-reachability-protocol evpn-bgp vrf1
!
nvo vxlan access-if port-vlan xe1/1 1000 inner-vlan 2000
  map vnid 1
!
!
```



```
VTEP1#show bgp l2vpn evpn summary
BGP router identifier 1.1.1.1, local AS number 100
BGP table version is 8
2 BGP AS-PATH entries
0 BGP community entries
```

Neighbor	V	AS	MsgRcv	MsgSen	TblVer	InQ	OutQ	Up/Dow
n State/PfxRcd	AD	MACIP	MCAST	ESI	PREFIX-ROUTE			
11.11.11.1	4	200	73	73	8	0	0	00:30:41
2	0	1	1	0	0			

Total number of neighbors 1

Total number of Established sessions 1

```
VTEP1#show bgp l2vpn evpn
BGP table version is 8, local router ID is 1.1.1.1
Status codes: s suppressed, d damped, h history, * valid, > best, i - internal,
               l - labeled, S Stale
Origin codes: i - IGP, e - EGP, ? - incomplete
```

```
[EVPN route type]:[ESI]:[VNID]:[relevent route informantion]
1 - Ethernet Auto-discovery Route
2 - MAC/IP Route
3 - Inclusive Multicast Route
4 - Ethernet Segment Route
5 - Prefix Route
```

Network	Next Hop	Metric	LocPrf	Weight	Path
Peer	Encap				
RD[100:11] VRF[vrf1]:					
* [2]:[0]:[1]:[48,0000.339a.9397]:[0]:[1]					
	34.34.34.0	0	100	0	200
300 i 11.11.11.1	VXLAN				
*> [2]:[0]:[1]:[48,0000.339a.9abb]:[0]:[1]					
	33.33.33.0	0	100	32768	i -
----- VXLAN					
*> [3]:[1]:[32,33.33.33.1]					
33.33.33.0	0	100	32768		
i -----	VXLAN				
* [3]:[1]:[32,34.34.34.0]					
	34.34.34.0	0	100	0	200
300 i 11.11.11.1	VXLAN				
RD[300:11]					
*> [2]:[0]:[1]:[48,0000.339a.9397]:[0]:[1]					
	34.34.34.0	0	100	0	200

VXLAN EVPN EVC Configuration

```
300 i 11.11.11.1      VXLAN
*>   [3]:[1]:[32,34.34.34.0]
                                34.34.34.0          0          100          0          200
300 i 11.11.11.1      VXLAN
```

Total number of prefixes 6

VTEP1#show ip route

Codes: K - kernel, C - connected, S - static, R - RIP, B - BGP
O - OSPF, IA - OSPF inter area
N1 - OSPF NSSA external type 1, N2 - OSPF NSSA external type 2
E1 - OSPF external type 1, E2 - OSPF external type 2
i - IS-IS, L1 - IS-IS level-1, L2 - IS-IS level-2,
ia - IS-IS inter area, E - EVPN,
v - vrf leaked
* - candidate default

IP Route Table for VRF "default"

```
C    11.11.11.0/31 is directly connected, xe10/1, 00:36:00
C    33.33.33.0/31 is directly connected, lo, 00:37:33
B    34.34.34.0/31 [20/0] via 11.11.11.1, xe10/1, 00:27:03
C    127.0.0.0/8 is directly connected, lo, 23:14:51
```

Gateway of last resort is not set

VTEP1

VTEP1#show nvo vxlan

VXLAN Information

=====

Codes: NW - Network Port
AC - Access Port
(u) - Untagged

VNID	VNI-Name	VNI-Type	Type	Interface	ESI
VLAN	DF-Status	Src-Addr		Dst-Addr	
1	----	L2	NW	----	-----
----	----	33.33.33.0		34.34.34.0	
1	----	--	AC	xe1/1	--- Single Homed Port ---
1000	----	----		----	

Total number of entries are 2

VTEP1#show nvo vxlan tunnel

VXLAN Network tunnel Entries

Source	Destination	Status	Up/Down	Update
33.33.33.0	34.34.34.0	Installed	00:26:27	00:26:27

Total number of entries are 1
VTEP1#show nvo vxlan mac-table

```
=====
=====
                                     VXLAN MAC Entries
=====
=====
```

VNID	Interface Type	VlanId	Inner-VlanId Status	Mac-Addr	VTEP-Ip/ESI AccessPortDesc
1	xe1/1 Dynamic Local	1000	2000 -----	0000.339a.9abb	33.33.33.0 -----
1	---- Dynamic Remote	----	---- -----	0000.339a.9397	34.34.34.0 -----

Total number of entries are : 2
VTEP1#

RTR3/VTEP2

```
#show running-config nvo vxlan
!
nvo vxlan enable
!
nvo vxlan vtep-ip-global 34.34.34.0
!
nvo vxlan id 1 ingress-replication inner-vid-disabled
  vxlan host-reachability-protocol evpn-bgp vrf1
!
nvo vxlan access-if port-vlan xe6 1000 inner-vlan 2000
  map vnid 1
!
```

```
VTEP2#show bgp l2vpn evpn summary
BGP router identifier 3.3.3.3, local AS number 300
BGP table version is 7
2 BGP AS-PATH entries
0 BGP community entries
```

Neighbor	V	AS	MsgRcv	MsgSen	TblVer	InQ	OutQ	Up/Dow
n State/PfxRcd	AD	MACIP	MCAST	ESI	PREFIX-ROUTE			
12.12.12.1	4	200	63		64	7	0	0 00:26:54
	2	0	1	1	0	0		

Total number of neighbors 1

Total number of Established sessions 1

VXLAN EVPN EVC Configuration

```
VTEP2#show bgp l2vpn evpn
BGP table version is 7, local router ID is 3.3.3.3
Status codes: s suppressed, d damped, h history, * valid, > best, i - internal,
               l - labeled, S Stale
Origin codes: i - IGP, e - EGP, ? - incomplete
```

```
[EVPN route type]:[ESI]:[VNID]:[relevent route informantion]
```

```
1 - Ethernet Auto-discovery Route
2 - MAC/IP Route
3 - Inclusive Multicast Route
4 - Ethernet Segment Route
5 - Prefix Route
```

Network Peer	Next Hop Encap	Metric	LocPrf	Weight	Path
RD[100:11]					
*> [2]:[0]:[1]:[48,0000.339a.9abb]:[0]:[1]	33.33.33.0	0	100	0	200
100 i 12.12.12.1	VXLAN				
*> [3]:[1]:[32,33.33.33.0]	33.33.33.0	0	100	0	200
100 i 12.12.12.1	VXLAN				
*> [2]:[0]:[1]:[48,0000.339a.9397]:[0]:[1]	34.34.34.0	0	100	32768	i -
-----	VXLAN				
* [2]:[0]:[1]:[48,0000.339a.9abb]:[0]:[1]	33.33.33.0	0	100	0	200
100 i 12.12.12.1	VXLAN				
* [3]:[1]:[32,33.33.33.0]	33.33.33.0	0	100	0	200
100 i 12.12.12.1	VXLAN				
*> [3]:[1]:[32,34.34.34.0]	34.34.34.0	0	100	32768	i -
-----	VXLAN				

```
Total number of prefixes 6
```

```
#show ip route
```

```
Codes: K - kernel, C - connected, S - static, R - RIP, B - BGP
       O - OSPF, IA - OSPF inter area
       N1 - OSPF NSSA external type 1, N2 - OSPF NSSA external type 2
       E1 - OSPF external type 1, E2 - OSPF external type 2
       i - IS-IS, L1 - IS-IS level-1, L2 - IS-IS level-2,
       ia - IS-IS inter area, E - EVPN,
       v - vrf leaked
       * - candidate default
```

```
IP Route Table for VRF "default"
C    12.12.12.0/31 is directly connected, xe13, 00:28:41
B    33.33.33.0/31 [20/0] via 12.12.12.1, xe13, 00:26:56
C    34.34.34.0/31 is directly connected, lo, 00:29:36
C    127.0.0.0/8 is directly connected, lo, 00:52:46
```

Gateway of last resort is not set

```
VTEP2#show nvo vxlan
```

VXLAN Information

=====

```
Codes: NW - Network Port
       AC - Access Port
       (u) - Untagged
```

VNID	VNI-Name	VNI-Type	Type	Interface	ESI
VLAN	DF-Status	Src-Addr		Dst-Addr	
1	----	L2	NW	----	-----
----	----	34.34.34.0		33.33.33.0	
1	----	--	AC	xe1/1	--- Single Homed Port ---
1000	----	----	----	----	

Total number of entries are 2

```
VTEP1#show nvo vxlan tunnel
```

VXLAN Network tunnel Entries

Source	Destination	Status	Up/Down	Update
33.33.33.0	34.34.34.0	Installed	00:26:27	00:26:27

Total number of entries are 1

```
VTEP2#show nvo vxlan mac-table
```

=====

VXLAN MAC Entries

=====

VNID	Interface	VlanId	Inner-VlanId	Mac-Addr	VTEP-Ip/ESI
	Type		Status		AccessPortDesc
1	----	----	----	0000.339a.9abb	33.33.33.0
	Dynamic Remote		-----		-----
1	xe6	1000	2000	0000.339a.9397	34.34.34.0
	Dynamic Local		-----		-----

Total number of entries are : 2
#

Popping SVLAN and CVLAN Tag

Use the previous configuration on VTEP1 and perform the configuration below on VTEP2.

VTEP2

(config)#nvo vxlan access-if port xe6	Enable port-only mapping for access port
(config-nvo-acc-if)#map vnid 1	Map VXLAN Identified to access-port for VXLAN
(config-nvo-acc-if)#exit	Exit VXLAN access-interface mode
(config)#commit	Commit the candidate configuration to the running configuration
(config)#exit	Exit configuration mode

RTR3/VTEP2

```
#show nvo vxlan
VXLAN Information
=====
Codes: NW - Network Port
AC - Access Port
(u) - Untagged
VNID VNI-Name VNI-Type Type Interface ESI
VLAN DF-Status Src-Addr Dst-Addr
```

```
1 ---- L2 NW ---- -----
---- 34.34.34.0 33.33.33.0
1 ---- -- AC xe6 --- Single Homed Port ---
---- -----
Total number of entries are 2
```

VTEP2#show nvo vxlan mac-table

```
=====
=====
VXLAN MAC Entries
=====
=====
```

VNID	Interface Type	VlanId	Inner-VlanId Status	Mac-Addr	VTEP-Ip/ESI AccessPortDesc
1	Dynamic Remote	-----	-----	0000.339a.9abb	33.33.33.0

Total number of entries are : 1
#

```
VTEP2#show running-config nvo vxlan
!
nvo vxlan enable
!
nvo vxlan vtep-ip-global 34.34.34.0
!
nvo vxlan id 1 ingress-replication inner-vid-disabled
  vxlan host-reachability-protocol evpn-bgp vrf1
!
nvo vxlan access-if port-vlan xe1/1 3000 inner-vlan 2000
  map vnid 1
```

```
VTEP1#show nvo vxlan tunnel
VXLAN Network tunnel Entries
  Source           Destination      Status           Up/Down          Update
=====
====
33.33.33.0        34.34.34.0     Installed        00:26:27        00:26:27
Total number of entries are 1
```

Popping and Later Pushing SVLAN Tag

Use the previous configuration on VTEP1 and perform the configuration below on VTEP2.

(config)#nvo vxlan access-if port-vlan xe6 3000 inner-vlan 2000	Enable port-vlan mapping i.e. access port to outer-vlan (SVLAN) and inner-vlan (CVLAN) mapping
(config-nvo-acc-if)#map vnid 1	Map VXLAN Identified to access-port for VXLAN
(config-nvo-acc-if)#exit	Exit VXLAN access-interface mode
(config)#commit	Commit the candidate configuration to the running configuration
(config)#exit	Exit configuration mode

RTR3/VTEP2

```
#show running-config nvo vxlan
!
nvo vxlan enable
!
nvo vxlan vtep-ip-global 34.34.34.0
!
nvo vxlan id 1 ingress-replication inner-vid-disabled
  vxlan host-reachability-protocol evpn-bgp vrf1
!
nvo vxlan access-if port-vlan xe1/1 3000 inner-vlan 2000
  map vnid 1
!
#show nvo vxlan
VXLAN Information
=====
Codes: NW - Network Port
```

VXLAN EVPN EVC Configuration

AC - Access Port
(u) - Untagged

VNID	VNI-Name	VNI-Type	Type	Interface	ESI
VLAN	DF-Status	Src-Addr		Dst-Addr	
1	----	L2	NW	----	-----
----	----	34.34.34.0		33.33.33.0	
1	----	--	AC	xe6	--- Single Homed Port ---
3000	----	----	----		

Total number of entries are 2

#show nvo vxlan tunnel

VXLAN Network tunnel Entries

Source	Destination	Status	Up/Down	Update
34.34.34.0	33.33.33.0	Installed	00:06:48	00:06:48

Total number of entries are 1

VTEP2#show nvo vxlan mac-table

```
=====
VXLAN MAC Entries
=====
```

VNID	Interface	VlanId	Inner-VlanId	Mac-Addr	VTEP-Ip/ESI
	Type		Status		AccessPortDesc
1	----	----	----	0000.339a.9abb	33.33.33.0
	Dynamic Remote		-----		-----

Total number of entries are : 1

#

CHAPTER 5 VXLAN Multi-homing Configuration

This chapter contains the configurations for VXLAN Multi-homing feature.

Overview

VXLAN EVPN Multi-homing features enables to connect a CE/Host node to two VTEPs with all-active redundancy mode. EVPN Multi-homing helps in VTEP to host failure and VTEP failure. If one VTEP goes down, other will forward the entire traffic.

Below are Multi-homing concepts:

- **Ethernet Segment:** Set of links which connect host/CE to two active-active multi-homed VTEP (only two VTEPs are supported) which appears as LACP link for host.
- **Ethernet Segment Identifier:** Ethernet Segment Identifier (ESI) which is an 10 octet-value, which can be configured in two ways, system mac is configured as esi in case of Dynamic Lag and 10-octet ESI format config is used on physical interface ES.
- **Ethernet Segment Route (ES route):** When a multi-homed CE is configured as an VXLAN access-port, Ethernet segment route is sent. The main purpose of this route is to discover other VTEPs which share the ES and to perform DF election.
- **Ethernet A-D route per ESI:** This route is used for Fast Convergence and Split Horizon.
- **Ethernet A-D route per EVI:** This route is used for load sharing between DF and NON-DF by the remote VTEPs

Topology

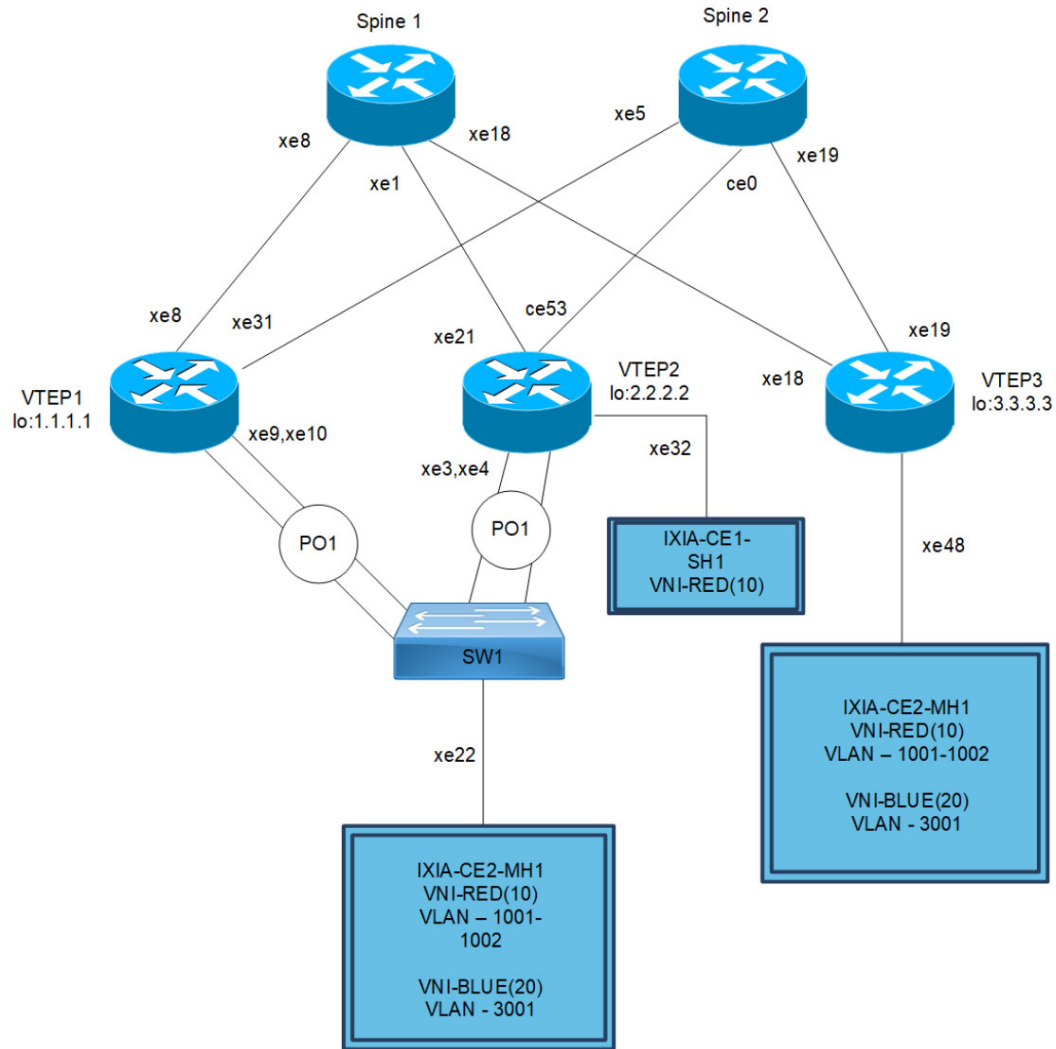


Figure 5-7: VxLAN-Multi-homing

Note: Enable VXLAN MUTIHOMING before executing any configurations.

VXLAN-EVPN MH Configuration

ESI can be configured in below two ways

Ethernet Segment through Dynamic Lag interface

#configure terminal	Enter configure mode.
(config)#interface po1	Enter interface mode for po1
(config-if)#switchport	Make it L2 interface
(config-if)#evpn multi-homed system-mac 8899.4400.6745	Configure system mac as ESI value for Lag (po1) interface

(config-if) #exit	Exit interface mode.
(config) #commit	Commit the candidate configuration to the running configuration

OR

Ethernet Segment through Physical interface

#configure terminal	Enter configure mode.
(config) #interface xe41	Enter interface mode for xe41
(config-if) #switchport	Make it L2 interface
(config-if) # evpn multi-homed esi 00:01:02:03:04:05:06:07:08	Configure 9-octet ESI value for xe41 interface (in static config, out of 10-octet ESI value, first octet is reserved)
(config-if) #exit	Exit interface mode.
(config) #commit	Commit the candidate configuration to the running configuration

VTEP1

(Multi-homed group1) – Part of both Multi-homed with po1 (MH1)

Generic Configuration

#configure terminal	Enter Configure mode.
(config)#evpn vxlan multihoming enable	Enable Multihoming, save configs and reboot the board for multihoming to be effective
(config)#qos enable	Enabling QoS
(config)#commit	Commit the candidate configuration to the running configuration

Interface and Loopback Configuration

(config)#interface po1	Enter Interface mode for po1 (MH1)
(config-if)#switchport	Make it L2 interface
(config-if)# evpn multi-homed system-mac 0000.0000.1111	Configure system MAC as ESI value for LAG (po1) interface
(config-if)#exit	Exit Interface mode and return to Configure mode.
(config)#interface xe9	Enter Interface mode for xe9
(config-if)#channel-group 1 mode active	Make it member port of po1
(config-if)#exit	Exit Interface mode and return to Configure mode.
(config)#interface xe10	Enter Interface mode for xe10
(config-if)#channel-group 1 mode active	Make it member port of po1
(config-if)#exit	Exit Interface mode and return to Configure mode.
(config)#interface lo	Enter Interface mode for lo
(config-if)#ip address 1.1.1.1/32 secondary	Configure loopback ip address as 1.1.1.1 for VTEP1
(config-if)#exit	Exit Interface mode and return to Configure mode.
(config)#interface xe8	Enter Interface mode for xe8
(config-if)#ip address 10.10.10.1/24	Configure IP address as 10.10.10.1 on network side of Spine1
(config-if)#exit	Exit Interface mode and return to Configure mode.
(config)#interface xe31	Enter Interface mode for xe31
(config-if)#ip address 20.20.20.1/24	Configure IP address as 20.20.20.1 on network side of Spine2
(config-if)#exit	Exit Interface mode and return to Configure mode.
(config)#commit	Commit the candidate configuration to the running configuration

OSPF Configuration

(config)#router ospf 100	Enter into router OSPF mode
(config-router)#ospf router-id 1.1.1.1	Configure router-id as 1.1.1.1 (lo ip address)
(config-router)#network 1.1.1.1/32 area 0.0.0.0	Add 1.1.1.1 (lo IP address) network into area 0
(config-router)#network 10.10.10.0/24 area 0.0.0.0	Add 10.10.10.0 (Spine1) network into area 0
(config-router)#network 20.20.20.0/24 area 0.0.0.0	Add 20.20.20.0 (Spine2) network into area 0

(config-router)#bfd all-interfaces	Enabling BFD on all OSPF interface for fast convergence
(config-if)#exit	Exit Interface mode and return to Configure mode.
(config)#commit	Commit the candidate configuration to the running configuration

BGP Configuration

(config)#router bgp 500	Enter into Router BGP mode
(config-router)#bgp router-id 1.1.1.1	Configure router-id as 1.1.1.1 (lo IP address)
(config-router)#neighbor 2.2.2.2 remote-as 500	Specify a VTEP2 loopback IP address and remote-as defined
(config-router)#neighbor 2.2.2.2 update-source lo	Configure update as loopback for VTEP2
(config-router)#neighbor 2.2.2.2 advertisement-interval 0	Configure advertisement-interval as 0 for fast convergence for VTEP2
(config-router)#neighbor 3.3.3.3 remote-as 500	Specify a VTEP3 loopback IP address and remote-as defined
(config-router)#neighbor 3.3.3.3 update-source lo	Configure update as loopback for VTEP3
(config-router)#neighbor 3.3.3.3 advertisement-interval 0	Configure advertisement-interval as 0 for fast convergence for VTEP3
(config-router)#address-family ipv4 unicast	Enter into ipv4 unicast address family mode
(config-router-af)#network 1.1.1.1/32	Advertise loopback network into BGP for VTEP ID reachability
(config-router-af)#neighbor 2.2.2.2 activate	Activate 2.2.2.2 (VTEP2) into ipv4 unicast address family mode
(config-router-af)#neighbor 3.3.3.3 activate	Activate 3.3.3.3 (VTEP2) into ipv4 unicast address family mode
(config-router-af)#exit-address-family	Exit from ipv4 unicast address family mode
(config-router)#address-family l2vpn evpn	Enter into L2VPN EVPN address family mode
(config-router-af)#neighbor 2.2.2.2 activate	Activate 2.2.2.2 (VTEP2) into L2VPN evpn address family mode
(config-router-af)#neighbor 3.3.3.3 activate	Activate 3.3.3.3 (VTEP3) into L2VPN evpn address family mode
(config-router-af)#exit-address-family	Exit from L2VPN address family mode
(config-router)#exit	Exit from Router BGP mode and enter into config mode
(config)#commit	Commit the candidate configuration to the running configuration

VRF Configuration

<code>(config)#mac vrf VRF1</code>	Create mac routing/forwarding instance with VRF1 name and enter into VRF mode
<code>(config-vrf)#rd 1.1.1.1:11</code>	Assign RD value
<code>(config-vrf)#route-target both 9.9.9.9:100</code>	Assign route-target value for same for import and export. Should be same on all node for VRF1
<code>(config-vrf)#exit</code>	Exit from VRF mode
<code>(config)#mac vrf VRF2</code>	Create MAC routing/forwarding instance with VRF1 name and enter into VRF mode
<code>(config-vrf)#rd 1.1.1.1:21</code>	Assign RD value
<code>(config-vrf)#route-target both 90.90.90.90:100</code>	Assign route-target value for same for import and export
<code>(config-vrf)#exit</code>	Exit from VRF mode
<code>(config)#commit</code>	Commit the candidate configuration to the running configuration

VxLAN Configuration

(config)#nvo vxlan enable	Enable VxLAN
(config)#evpn esi hold-time 90	Configure ESI hold time to allow tunnel to come up at the time of VxLAN initialization before making the ESI up
(config)#nvo vxlan vtep-ip-global 1.1.1.1	Configure Source VTEP-IP-global configuration
(config)#nvo vxlan id 10 ingress-replication inner-vid-disabled	Configure VxLAN Network identifier with/without inner-VID-disabled configure and enter into VxLAN tenant mode
(config-nvo)#vxlan host-reachability-protocol evpn-bgp VRF1	Assign VRF for EVPN-BGP to carry EVPN route
(config-nvo)#vni-name VNI-RED	Configure VNI-name as VNI-RED
(config-nvo)#exit	Exit from VxLAN tenant mode and enter into configuration mode.
(config)#nvo vxlan id 20 ingress-replication inner-vid-disabled	Configure VxLAN Network identifier with/without inner-VID-disabled configure and enter into VxLAN tenant mode
(config-nvo)#vxlan host-reachability-protocol evpn-bgp VRF2	Assign VRF for EVPN-BGP to carry EVPN route
(config-nvo)#vni-name VNI-BLUE	Configure VNI-name as VNI-BLUE
(config-nvo)#exit	Exit from VxLAN tenant mode and enter into configuration mode.
(config)#nvo vxlan access-if port-vlan po1 1001	Enable port-VLAN mapping i.e. access port to outer-VLAN (SVLAN) - Multihomed access port
(config-nvo-acc-if)#map vni-name VNI-RED	Map VxLAN Identified to access-port for VxLAN
(config-nvo-acc-if)#exit	Exit from VxLAN access-interface mode and enter into configuration mode
(config)#nvo vxlan access-if port-vlan po1 1002	Enable port-VLAN mapping i.e. access port to outer-VLAN (SVLAN) - Multihomed access port
(config-nvo-acc-if)#map vni-name VNI-RED	Map VxLAN Identified to access-port for VxLAN
(config-nvo-acc-if)#exit	Exit from VxLAN access-interface mode and enter into configuration mode
(config)#nvo vxlan access-if port-vlan po1 3001	Enable port-VLAN mapping i.e. access port to outer-VLAN (SVLAN) - Multihomed access port
(config-nvo-acc-if)#map vni-name VNI-BLUE	Map VxLAN Identified to access-port for VxLAN
(config-nvo-acc-if)#exit	Exit from VxLAN access-interface mode and enter into configuration mode
(config)#commit	Commit the candidate configuration to the running configuration
(config)#exit	Exit from configuration mode

VTEP2

(Multi-homed group1) – Part of both Multi-homed with p01. And it has xe32 as single home access-if port (SH2)

Generic Configuration

#configure terminal	Enter Configure mode.
(config)#evpn vxlan multihoming enable	Enable Multihoming, save configs and reboot the board for multihoming to be effective
(config)#qos enable	Enabling QoS
(config)#commit	Commit the candidate configuration to the running configuration

Interface and Loopback Configuration

(config)#interface po1	Enter Interface mode for po1 (MH1)
(config-if)#switchport	Make it L2 interface
(config-if)# evpn multi-homed system-mac 0000.0000.1111	Configure system MAC as ESI value for LAG (po1) interface
(config-if)#exit	Exit Interface mode and return to Configure mode.
(config)#interface xe3	Enter Interface mode for xe3
(config-if)#channel-group 1 mode active	Make it member port of po1
(config-if)#exit	Exit Interface mode and return to Configure mode.
(config)#interface xe4	Enter Interface mode for xe4
(config-if)#channel-group 1 mode active	Make it member port of po1
(config-if)#exit	Exit Interface mode and return to Configure mode.
(config)#interface xe32	Enter Interface mode for xe32 (SH2)
(config-if)#switchport	Make it L2 interface
(config-if)#exit	Exit Interface mode and return to Configure mode.
(config)#interface lo	Enter Interface mode for lo
(config-if)#ip address 2.2.2.2/32 secondary	Configure loopback IP address as 2.2.2.2 for VTEP2
(config-if)#exit	Exit Interface mode and return to Configure mode.
(config)#interface xe21	Enter Interface mode for xe21
(config-if)#ip address 30.30.30.1/24	Configure IP address as 30.30.30.1 on network side of Spine1
(config-if)#exit	Exit Interface mode and return to Configure mode.
(config)#interface ce53	Enter Interface mode for ce53
(config-if)#ip address 40.40.40.1/24	Configure IP address as 40.40.40.1 on network side of Spine2
(config-if)#exit	Exit Interface mode and return to Configure mode.
(config)#commit	Commit the candidate configuration to the running configuration

OSPF Configuration

(config)#router ospf 100	Enter into router OSPF mode
(config-router)#ospf router-id 2.2.2.2	Configure router-id as 2.2.2.2 (lo IP address)
(config-router)#network 2.2.2.2/32 area 0.0.0.0	Add 2.2.2.2 (lo IP address) network into area 0
(config-router)#network 30.30.30.0/24 area 0.0.0.0	Add 30.30.30.0 (Spine1) network into area 0
(config-router)#network 40.40.40.0/24 area 0.0.0.0	Add 40.40.40.0 (Spine2) network into area 0

(config-router)#bfd all-interfaces	Enabling BFD on all OSPF interface for fast convergence
(config-if)#exit	Exit Interface mode and return to Configure mode.
(config)#commit	Commit the candidate configuration to the running configuration

BGP Configuration

(config)#router bgp 500	Enter into Router BGP mode
(config-router)#bgp router-id 2.2.2.2	Configure router-id as 2.2.2.2 (lo IP address)
(config-router)#neighbor 1.1.1.1 remote-as 500	Specify a VTEP1 loopback IP address and remote-as defined
(config-router)#neighbor 1.1.1.1 update-source lo	Configure update as loopback for VTEP1
(config-router)#neighbor 1.1.1.1 advertisement-interval 0	Configure advertisement-interval as 0 for fast convergence for VTEP1
(config-router)#neighbor 3.3.3.3 remote-as 500	Specify a VTEP3 loopback IP address and remote-as defined
(config-router)#neighbor 3.3.3.3 update-source lo	Configure update as loopback for VTEP3
(config-router)#neighbor 3.3.3.3 advertisement-interval 0	Configure advertisement-interval as 0 for fast convergence for VTEP3
(config-router)#address-family ipv4 unicast	Enter into ipv4 unicast address family mode
(config-router-af)#network 2.2.2.2/32	Advertise loopback network into BGP for VTEP ID reachability
(config-router-af)#neighbor 1.1.1.1 activate	Activate 1.1.1.1 (VTEP2) into ipv4 unicast address family mode
(config-router-af)#neighbor 3.3.3.3 activate	Activate 3.3.3.3 (VTEP2) into ipv4 unicast address family mode
(config-router-af)#exit-address-family	Exit from ipv4 unicast address family mode
(config-router)#address-family l2vpn evpn	Enter into L2VPN EVPN address family mode
(config-router-af)#neighbor 1.1.1.1 activate	Activate 1.1.1.1(VTEP1) into L2VPN evpn address family mode
(config-router-af)#neighbor 3.3.3.3 activate	Activate 3.3.3.3(VTEP3) into L2VPN evpn address family mode
(config-router-af)#exit-address-family	Exit from L2VPN address family mode
(config-router)#exit	Exit from Router BGP mode and enter into config mode
(config)#commit	Commit the candidate configuration to the running configuration

VRF Configuration

(config)# mac vrf VRF1	Create mac routing/forwarding instance with VRF1 name and enter into VRF mode
(config-vrf)#rd 2.2.2.2:11	Assign RD value
(config-vrf)#route-target both 9.9.9.9:100	Assign route-target value for same for import and export. Should be same on all node for VRF1
(config-vrf)#exit	Exit from VRF mode
(config)#mac vrf VRF2	Create MAC routing/forwarding instance with VRF1 name and enter into VRF mode
(config-vrf)#rd 2.2.2.2:21	Assign RD value
(config-vrf)#route-target both 90.90.90.90:100	Assign route-target value for same for import and export
(config-vrf)#exit	Exit from VRF mode
(config)#commit	Commit the candidate configuration to the running configuration

VxLAN Configuration

(config)#nvo vxlan enable	Enable VxLAN
(config)#evpn esi hold-time 90	Configure ESI hold time to allow tunnel to come up at the time of VxLAN initialization before making the ESI up
(config)#nvo vxlan vtep-ip-global 2.2.2.2	Configure Source VTEP-IP-global configuration
(config)#nvo vxlan id 10 ingress-replication inner-vid-disabled	Configure VxLAN Network identifier with/without inner-VID-disabled configure and enter into VxLAN tenant mode
(config-nvo)#vxlan host-reachability-protocol evpn-bgp VRF1	Assign VRF for EVPN-BGP to carry EVPN route
(config-nvo)#vni-name VNI-RED	Configure VNI-name as VNI-RED
(config-nvo)#exit	Exit from VxLAN tenant mode and enter into configuration mode.
(config)#nvo vxlan id 20 ingress-replication inner-vid-disabled	Configure VxLAN Network identifier with/without inner-VID-disabled configure and enter into VxLAN tenant mode
(config-nvo)#vxlan host-reachability-protocol evpn-bgp VRF2	Assign VRF for EVPN-BGP to carry EVPN route
(config-nvo)#vni-name VNI-BLUE	Configure VNI-name as VNI-BLUE
(config-nvo)#exit	Exit from VxLAN tenant mode and enter into configuration mode.
(config)#nvo vxlan access-if port-vlan po1 1001	Enable port-VLAN mapping i.e. access port to outer-VLAN (SVLAN) - Multihomed access port
(config-nvo-acc-if)#map vni-name VNI-RED	Map VxLAN Identified to access-port for VxLAN
(config-nvo-acc-if)#exit	Exit from VxLAN access-interface mode and enter into configuration mode
(config)#nvo vxlan access-if port-vlan po1 1002	Enable port-VLAN mapping i.e. access port to outer-VLAN (SVLAN) - Multihomed access port
(config-nvo-acc-if)#map vni-name VNI-RED	Map VxLAN Identified to access-port for VxLAN
(config-nvo-acc-if)#exit	Exit from VxLAN access-interface mode and enter into configuration mode
(config)#nvo vxlan access-if port-vlan po1 3001	Enable port-VLAN mapping i.e. access port to outer-VLAN (SVLAN) - Multihomed access port

(config-nvo-acc-if)#map vni-name VNI-BLUE	Map VxLAN Identified to access-port for VxLAN
(config-nvo-acc-if)#exit	Exit from VxLAN access-interface mode and enter into configuration mode
(config)#nvo vxlan access-if port xe32	Enable port-VLAN mapping i.e. access port to outer-VLAN (SVLAN) - Multihomed access port
(config-nvo-acc-if)#map vni-name VNI-RED	Map VxLAN Identified to access-port for VxLAN
(config-nvo-acc-if)#exit	Exit from VxLAN access-interface mode and enter into configuration mode
(config)#commit	Commit the candidate configuration to the running configuration
(config)#exit	Exit from configuration mode

VTEP3

It has xe48 as Single home access-if port (SH2)

Generic Configuration

#configure terminal	Enter Configure mode.
(config)#evpn vxlan multihoming enable	Enable Multihoming, save configs and reboot the board for multihoming to be effective
(config)#qos enable	Enabling QoS
(config)#commit	Commit the candidate configuration to the running configuration

Interface and loopback configuration

(config)#interface xe48	Enter Interface mode for xe48 (SH3)
(config-if)#switchport	Make it L2 interface
(config-if)#exit	Exit Interface mode and return to Configure mode.
(config)#interface lo	Enter Interface mode for lo
(config-if)#ip address 3.3.3.3/32 secondary	Configure loopback IP address as 3.3.3.3 for VTEP3
(config-if)#exit	Exit Interface mode and return to Configure mode.
(config)#interface xe18	Enter Interface mode for xe18
(config-if)#ip address 50.50.50.1/24	Configure IP address as 50.50.50.1 on network side of Spine1
(config-if)#exit	Exit Interface mode and return to Configure mode.
(config)#interface xe19	Enter Interface mode for xe19
(config-if)#ip address 60.60.60.1/24	Configure IP address as 60.60.60.1 on network side of Spine2
(config-if)#exit	Exit Interface mode and return to Configure mode.
(config)#commit	Commit the candidate configuration to the running configuration

OSPF Configuration

<code>(config)#router ospf 100</code>	Enter into router OSPF mode
<code>(config-router)#ospf router-id 3.3.3.3</code>	Configure router-ID as 3.3.3.3 (lo IP address)
<code>(config-router)#network 3.3.3.3/32 area 0.0.0.0</code>	Add 3.3.3.3 (lo IP address) network into area 0
<code>(config-router)#network 50.50.50.0/24 area 0.0.0.0</code>	Add 50.50.50.0 (Spine1) network into area 0
<code>(config-router)#network 60.60.60.0/24 area 0.0.0.0</code>	Add 60.60.60.0 (Spine2) network into area 0
<code>(config-router)#bfd all-interfaces</code>	Enabling BFD on all OSPF interface for fast convergence
<code>(config-if)#exit</code>	Exit Interface mode and return to Configure mode.
<code>(config)#commit</code>	Commit the candidate configuration to the running configuration

BGP Configuration

(config)#router bgp 500	Enter into Router BGP mode
(config-router)#bgp router-id 3.3.3.3	Configure router-ID as 3.3.3.3 (lo ip address)
(config-router)#neighbor 1.1.1.1 remote-as 500	Specify a VTEP1 loopback IP address and remote-as defined
(config-router)#neighbor 1.1.1.1 update-source lo	Configure update as loopback for VTEP1
(config-router)#neighbor 1.1.1.1 advertisement-interval 0	Configure advertisement-interval as 0 for fast convergence for VTEP1
(config-router)#neighbor 2.2.2.2 remote-as 500	Specify a VTEP2 loopback IP address and remote-as defined
(config-router)#neighbor 2.2.2.2 update-source lo	Configure update as loopback for VTEP2
(config-router)#neighbor 2.2.2.2 advertisement-interval 0	Configure advertisement-interval as 0 for fast convergence for VTEP3
(config-router)#address-family ipv4 unicast	Enter into ipv4 unicast address family mode
(config-router-af)#network 3.3.3.3/32	Advertise loopback network into BGP for VTEP ID reachability
(config-router-af)#neighbor 1.1.1.1 activate	Activate 1.1.1.1 (VTEP2) into ipv4 unicast address family mode
(config-router-af)#neighbor 2.2.2.2 activate	Activate 2.2.2.2 (VTEP2) into ipv4 unicast address family mode
(config-router-af)#exit-address-family	Exit from ipv4 unicast address family mode
(config-router)#address-family l2vpn evpn	Enter into L2VPN EVPN address family mode
(config-router-af)#neighbor 1.1.1.1 activate	Activate 1.1.1.1 (VTEP1) into L2VPN evpn address family mode
(config-router-af)#neighbor 2.2.2.2 activate	Activate 2.2.2.2 (VTEP2) into L2VPN evpn address family mode
(config-router-af)#exit-address-family	Exit from L2VPN address family mode
(config-router)#exit	Exit from Router BGP mode and enter into config mode
(config)#commit	Commit the candidate configuration to the running configuration

VRF Configuration

<code>(config)# mac vrf VRF1</code>	Create MAC routing/forwarding instance with VRF1 name and enter into VRF mode
<code>(config-vrf)#rd 3.3.3.3:11</code>	Assign RD value
<code>(config-vrf)#route-target both 9.9.9.9:100</code>	Assign route-target value for same for import and export. Should be same on all node for VRF1
<code>(config-vrf)#exit</code>	Exit from VRF mode
<code>(config)#mac vrf VRF2</code>	Create MAC routing/forwarding instance with VRF2 name and enter into VRF mode
<code>(config-vrf)#rd 3.3.3.3:21</code>	Assign RD value
<code>(config-vrf)#route-target both 90.90.90.90:100</code>	Assign route-target value for same for import and export
<code>(config-vrf)#exit</code>	Exit from VRF
<code>(config)#commit</code>	Commit the candidate configuration to the running configuration

VxLAN Configuration

(config)#nvo vxlan enable	Enable VxLAN
(config)#nvo vxlan vtep-ip-global 3.3.3.3	Configure Source VTEP-IP-global configuration
(config)#nvo vxlan id 10 ingress-replication inner-vid-disabled	Configure VxLAN Network identifier with/without inner-VID-disabled configure and enter into VxLAN tenant mode
(config-nvo)#vxlan host-reachability-protocol evpn-bgp VRF1	Assign VRF for EVPN-BGP to carry EVPN route
(config-nvo)#vni-name VNI-RED	Configure VNI-name as VNI-RED
(config-nvo)#exit	Exit from VxLAN tenant mode and enter into configuration mode.
(config)#nvo vxlan id 20 ingress-replication inner-vid-disabled	Configure VxLAN Network identifier with/without inner-VID-disabled configure and enter into VxLAN tenant mode
(config-nvo)#vxlan host-reachability-protocol evpn-bgp VRF2	Assign VRF for EVPN-BGP to carry EVPN route
(config-nvo)#vni-name VNI-BLUE	Configure VNI-name as VNI-BLUE
(config-nvo)#exit	Exit from VxLAN tenant mode and enter into configuration mode.
(config)#nvo vxlan access-if port-vlan xe48 1001	Enable port-VLAN mapping i.e. access port to outer-VLAN (SVLAN) - Multihomed access port
(config-nvo-acc-if)#map vni-name VNI-RED	Map VxLAN Identified to access-port for VxLAN
(config-nvo-acc-if)#exit	Exit from VxLAN access-interface mode and enter into configuration mode
(config)#nvo vxlan access-if port-vlan xe48 1002	Enable port-VLAN mapping i.e. access port to outer-VLAN (SVLAN) - Multihomed access port
(config-nvo-acc-if)#map vni-name VNI-RED	Map VxLAN Identified to access-port for VxLAN
(config-nvo-acc-if)#exit	Exit from VxLAN access-interface mode and enter into configuration mode
(config)#nvo vxlan access-if port-vlan xe48 3001	Enable port-VLAN mapping i.e. access port to outer-VLAN (SVLAN) - Multihomed access port
(config-nvo-acc-if)#map vni-name VNI-BLUE	Map VxLAN Identified to access-port for VxLAN
(config-nvo-acc-if)#exit	Exit from VxLAN access-interface mode and enter into configuration mode
(config)#commit	Commit the candidate configuration to the running configuration
(config)#exit	Exit from configuration mode

Switch (CE2)

Multihomed to 2-VTEPs (VTEP1 and VTEP2)

#configure terminal	Enter Configure mode.
(config)#bridge 1 protocol ieee vlan-bridge	Configure IEEE VLAN bridge
(config)#vlan 1001-1002 bridge 1 state enable	Configure VLANs from 1001-1002 and associate with bridge 1
(config)#vlan 3001 bridge 1 state enable	Configure VLANs from 3001 and associate with bridge 1
(config)#interface xe22	Enter Interface mode for xe22
(config-if)#switchport	Make xe22 as L2 port by configuring switchport

VXLAN Multi-homing Configuration

(config-if)#bridge-group 1	Associate xe22 to bridge 1
(config-if)#switchport mode hybrid	Configure xe22 as hybrid port
(config-if)#switchport hybrid allowed vlan add 1001-1002,3001 egress-tagged enable	Allow 1001-1002 and 3001 configured VLANs on xe22
(config-if)#exit	Exit Interface mode and return to Configure mode.
(config)#interface po1	Enter Interface mode for po1
(config-if)#switchport	Make po1 as L2 port by configuring switchport
(config-if)#bridge-group 1	Associate po1 to bridge 1
(config-if)#switchport mode hybrid	Configure po1 as hybrid port
(config-if)#switchport hybrid allowed vlan add 1001-1002,3001 egress-tagged enable	Allow 1001-1002 and 3001 configured VLANs on po1
(config-if)#exit	Exit Interface mode and return to Configure mode.
(config)#interface xe3	Enter Interface mode for xe3
(config-if)#channel-group 1 mode active	Make it member port of po1
(config)#interface xe4	Enter Interface mode for xe4
(config-if)#channel-group 1 mode active	Make it member port of po1
(config)#exit	Exit from configuration mode
(config)#interface xe9	Enter Interface mode for xe9
(config-if)#channel-group 1 mode active	Make it member port of po1
(config)#interface xe10	Enter Interface mode for xe10
(config-if)#channel-group 1 mode active	Make it member port of po1
(config)#exit	Exit from configuration mode
(config)#commit	Commit the candidate configuration to the running configuration
(config)#exit	Exit from configuration mode

Spine 1

Spine node where all VTEPs are connected

Generic Configuration

#configure terminal	Enter Configure mode.
(config)#qos enable	Enabling QoS
(config)#commit	Commit the candidate configuration to the running configuration

Interface and Loopback Configuration

#configure terminal	Enter Configure mode.
(config)#qos enable	Enabling QoS
(config)#interface lo	Enter Interface mode for lo
(config-if)#ip address 11.11.11.11/32 secondary	Configure loopback IP address as 11.11.11.11 for Spine1
(config-if)#exit	Exit Interface mode and return to Configure mode.
(config)#interface xe8	Enter Interface mode for xe8
(config-if)#ip address 10.10.10.2/24	Configure IP address as 10.10.10.2 on network side of VTEP1
(config-if)#exit	Exit Interface mode and return to Configure mode.
(config)#interface xe1	Enter Interface mode for xe1
(config-if)#ip address 30.30.30.2/24	Configure IP address as 30.30.30.2 on network side of VTEP2
(config-if)#exit	Exit Interface mode and return to Configure mode.
(config)#interface xe18	Enter Interface mode for xe18
(config-if)#ip address 50.50.50.2/24	Configure IP address as 50.50.50.2 on network side of VTEP3
(config-if)#exit	Exit Interface mode and return to Configure mode.
(config)#commit	Commit the candidate configuration to the running configuration

OSPF configuration

(config)#router ospf 100	Enter into router OSPF mode
(config-router)#ospf router-id 11.11.11.11	Configure router-ID as 11.11.11.11 (lo IP address)
(config-router)#network 11.11.11.11/32 area 0.0.0.0	Add 11.11.11.11 (lo IP address) network into area 0
(config-router)#network 10.10.10.0/24 area 0.0.0.0	Add 10.10.10.0 (VTEP1) network into area 0
(config-router)#network 30.30.30.0/24 area 0.0.0.0	Add 30.30.30.0 (VTEP2) network into area 0
(config-router)#network 50.50.50.0/24 area 0.0.0.0	Add 50.50.50.0 (VTEP3) network into area 0
(config-router)#bfd all-interfaces	Enabling BFD on all OSPF interface for fast convergence
(config-if)#exit	Exit Interface mode and return to Configure mode.
(config)#commit	Commit the candidate configuration to the running configuration

Spine 2

Spine node where all VTEPs are connected

Generic configuration

#configure terminal	Enter Configure mode.
(config)#qos enable	Enabling QoS
(config)#commit	Commit the candidate configuration to the running configuration

Interface and loopback configuration

(config)#interface lo	Enter Interface mode for lo
(config-if)#ip address 22.22.22.22/32 secondary	Configure loopback IP address as 22.22.22.22 for Spine2
(config-if)#exit	Exit Interface mode and return to Configure mode.
(config)#interface xe5	Enter Interface mode for xe5
(config-if)#ip address 20.20.20.2/24	Configure IP address as 20.20.20.2 on network side of VTEP1
(config-if)#exit	Exit Interface mode and return to Configure mode.
(config)#interface ce0	Enter Interface mode for ce0
(config-if)#ip address 40.40.40.2/24	Configure IP address as 40.40.40.2 on network side of VTEP2
(config-if)#exit	Exit Interface mode and return to Configure mode.
(config)#interface xe19	Enter Interface mode for xe19
(config-if)#ip address 60.60.60.2/24	Configure IP address as 60.60.60.2 on network side of VTEP3
(config-if)#exit	Exit Interface mode and return to Configure mode.
(config)#commit	Commit the candidate configuration to the running configuration

OSPF configuration

(config)#router ospf 100	Enter into router OSPF mode
(config-router)#ospf router-id 22.22.22.22	Configure router-id as 11.11.11.11 (lo IP address)
(config-router)#network 22.22.22.22/32 area 0.0.0.0	Add 22.22.22.22 (lo IP address) network into area 0
(config-router)#network 20.20.20.0/24 area 0.0.0.0	Add 20.20.20.0 (VTEP1) network into area 0
(config-router)#network 40.40.40.0/24 area 0.0.0.0	Add 40.40.40.0 (VTEP2) network into area 0
(config-router)#network 60.60.60.0/24 area 0.0.0.0	Add 60.60.60.0 (VTEP3) network into area 0
(config-router)#bfd all-interfaces	Enabling BFD on all OSPF interface for fast convergence
(config-if)#exit	Exit Interface mode and return to Configure mode.
(config)#commit	Commit the candidate configuration to the running configuration

Validation

VTEP1

```
VTEP1#show nvo vxlan
```

```
VXLAN Information
```

```
=====
```

```
Codes: NW - Network Port
       AC - Access Port
       (u) - Untagged
```

VNID	VNI-Name	VNI-Type	Type	Interface	ESI	VLAN	DF-Status
Src-Addr	Dst-Addr						
10	VNI-RED	L2	NW	----	----	----	----
1.1.1.1	3.3.3.3						
10	VNI-RED	L2	NW	----	----	----	----
1.1.1.1	2.2.2.2						
10	VNI-RED	--	AC	po1	00:00:00:00:00:11:11:00:00:00	1001	NON-DF
----	----						
10	VNI-RED	--	AC	po1	00:00:00:00:00:11:11:00:00:00	1002	DF
----	----						
20	VNI-BLUE	L2	NW	----	----	----	----
1.1.1.1	3.3.3.3						
20	VNI-BLUE	L2	NW	----	----	----	----
1.1.1.1	2.2.2.2						
20	VNI-BLUE	--	AC	po1	00:00:00:00:00:11:11:00:00:00	3001	NON-DF
----	----						

```
Total number of entries are 7
```

```
VTEP1#show nvo vxlan access-if brief
```

Interface	Vlan	Inner vlan	Ifindex	Vnid	Admin status	Link status
po1	1002	---	500001	10	up	up
po1	1001	---	500000	10	up	up
po1	3001	---	500002	20	up	up

```
Total number of entries are 3
```

```
VTEP1#show bgp l2vpn evpn summary
```

```
BGP router identifier 1.1.1.1, local AS number 500
```

```
BGP table version is 6
```

```
1 BGP AS-PATH entries
```

```
0 BGP community entries
```

VXLAN Multi-homing Configuration

Neighbor PfxRcd	AD	MACIP	V MCAST	AS	MsgRcv ESI	MsgSen PREFIX-ROUTE	TblVer	InQ	OutQ	Up/Down	State/
2.2.2.2			4	500	161	163	5	0	0	01:05:15	
6	3	0	2	1	0						
3.3.3.3			4	500	157	161	5	0	0	01:05:07	
2	0	0	2	0	0						

Total number of neighbors 2

Total number of Established sessions 2

VTEP1#show nvo vxlan tunnel
VXLAN Network tunnel Entries

Source	Destination	Status	Up/Down	Update
1.1.1.1	3.3.3.3	Installed	00:31:11	00:31:11
1.1.1.1	2.2.2.2	Installed	01:05:25	00:31:11

Total number of entries are 2

VTEP1#show bgp l2vpn evpn multihoming es-route

```
RD[1.1.1.1:1] VRF[evpn-gvrf-1]:
ESI                               PE IP-Address  Nexthop IP      Encap
00:00:00:00:00:11:11:00:00:00    1.1.1.1       1.1.1.1         VXLAN
00:00:00:00:00:11:11:00:00:00    2.2.2.2       2.2.2.2         VXLAN
```

```
RD[2.2.2.2:1]
ESI                               PE IP-Address  Nexthop IP      Encap
00:00:00:00:00:11:11:00:00:00    2.2.2.2       2.2.2.2         VXLAN
```

VTEP1#show bgp l2vpn evpn multihoming ethernet-ad-per-es

```
RD[1.1.1.1:1] VRF[evpn-gvrf-1]:
ESI                               Eth-Tag       VNID/LABEL      Nexthop IP      Encap
00:00:00:00:00:11:11:00:00:00    4294967295   0                1.1.1.1         VXLAN
```

```
RD[1.1.1.1:11] VRF[VRF1]:
ESI                               Eth-Tag       VNID/LABEL      Nexthop IP      Encap
00:00:00:00:00:11:11:00:00:00    4294967295   0                2.2.2.2         VXLAN
```

```
RD[1.1.1.1:21] VRF[VRF2]:
ESI                               Eth-Tag       VNID/LABEL      Nexthop IP      Encap
00:00:00:00:00:11:11:00:00:00    4294967295   0                2.2.2.2         VXLAN
```

```
RD[2.2.2.2:1]
ESI                               Eth-Tag       VNID/LABEL      Nexthop IP      Encap
00:00:00:00:00:11:11:00:00:00    4294967295   0                2.2.2.2         VXLAN
```

VTEP1#show bgp l2vpn evpn multihoming ethernet-ad-per-evi

```
RD[1.1.1.1:11] VRF[VRF1]:
```

```

ESI                               Eth-Tag   VNID/LABEL   Nexthop IP   Encap
00:00:00:00:00:11:11:00:00:00  10        10           2.2.2.2      VXLAN
00:00:00:00:00:11:11:00:00:00  10        10           1.1.1.1      VXLAN

```

RD[1.1.1.1:21] VRF[VRF2]:

```

ESI                               Eth-Tag   VNID/LABEL   Nexthop IP   Encap
00:00:00:00:00:11:11:00:00:00  20        20           2.2.2.2      VXLAN
00:00:00:00:00:11:11:00:00:00  20        20           1.1.1.1      VXLAN

```

RD[2.2.2.2:11]

```

ESI                               Eth-Tag   VNID/LABEL   Nexthop IP   Encap
00:00:00:00:00:11:11:00:00:00  10        10           2.2.2.2      VXLAN

```

RD[2.2.2.2:21]

```

ESI                               Eth-Tag   VNID/LABEL   Nexthop IP   Encap
00:00:00:00:00:11:11:00:00:00  20        20           2.2.2.2      VXLAN

```

VTEP1#show bgp l2vpn evpn

BGP table version is 6, local router ID is 1.1.1.1

Status codes: s suppressed, d damped, h history, * valid, > best, i - internal,
l - labeled, S Stale

Origin codes: i - IGP, e - EGP, ? - incomplete

[EVPN route type]:[ESI]:[VNID]:[relevent route informantion]

- 1 - Ethernet Auto-discovery Route
- 2 - MAC/IP Route
- 3 - Inclusive Multicast Route
- 4 - Ethernet Segment Route
- 5 - Prefix Route

Network	Next Hop	Metric	LocPrf	Weight	Path	Peer
Encap						
RD[1.1.1.1:1] VRF[evpn-gvrf-1]:						
*> [1]:[00:00:00:00:00:11:11:00:00:00]:[4294967295]:[0]	1.1.1.1	0	100		32768	i -----
---	VXLAN					
*> [4]:[00:00:00:00:00:11:11:00:00:00]:[32,1.1.1.1]	1.1.1.1	0	100		32768	i -----
---	VXLAN					
* i [4]:[00:00:00:00:00:11:11:00:00:00]:[32,2.2.2.2]	2.2.2.2	0	100	0	i 2.2.2.2	
VXLAN						

RD[1.1.1.1:11] VRF[VRF1]:

```

* i [1]:[00:00:00:00:00:11:11:00:00:00]:[10]:[10]
                               2.2.2.2           0           100           0           i 2.2.2.2
VXLAN
*>                               1.1.1.1           0           100           32768        i -----
---                               VXLAN
* i [1]:[00:00:00:00:00:11:11:00:00:00]:[4294967295]:[0]

```

VXLAN Multi-homing Configuration

```

                2.2.2.2          0          100          0          i  2.2.2.2
VXLAN
*>  [3]:[10]:[32,1.1.1.1]
                1.1.1.1          0          100          32768      i  -----
---          VXLAN
* i  [3]:[10]:[32,2.2.2.2]
                2.2.2.2          0          100          0          i  2.2.2.2
VXLAN
* i  [3]:[10]:[32,3.3.3.3]
                3.3.3.3          0          100          0          i  3.3.3.3
VXLAN

RD[1.1.1.1:21] VRF[VRF2]:
* i  [1]:[00:00:00:00:00:11:11:00:00:00]:[20]:[20]
                2.2.2.2          0          100          0          i  2.2.2.2
VXLAN
*>  [3]:[10]:[32,1.1.1.1]
                1.1.1.1          0          100          32768      i  -----
---          VXLAN
* i  [1]:[00:00:00:00:00:11:11:00:00:00]:[4294967295]:[0]
                2.2.2.2          0          100          0          i  2.2.2.2
VXLAN
*>  [3]:[20]:[32,1.1.1.1]
                1.1.1.1          0          100          32768      i  -----
---          VXLAN
* i  [3]:[20]:[32,2.2.2.2]
                2.2.2.2          0          100          0          i  2.2.2.2
VXLAN
* i  [3]:[20]:[32,3.3.3.3]
                3.3.3.3          0          100          0          i  3.3.3.3
VXLAN

RD[2.2.2.2:1]
*>i  [1]:[00:00:00:00:00:11:11:00:00:00]:[4294967295]:[0]
                2.2.2.2          0          100          0          i  2.2.2.2
VXLAN
*>i  [4]:[00:00:00:00:00:11:11:00:00:00]:[32,2.2.2.2]
                2.2.2.2          0          100          0          i  2.2.2.2
VXLAN

RD[2.2.2.2:11]
*>i  [1]:[00:00:00:00:00:11:11:00:00:00]:[10]:[10]
                2.2.2.2          0          100          0          i  2.2.2.2
VXLAN
*>i  [3]:[10]:[32,2.2.2.2]
                2.2.2.2          0          100          0          i  2.2.2.2
VXLAN

RD[2.2.2.2:21]
*>i  [1]:[00:00:00:00:00:11:11:00:00:00]:[20]:[20]
                2.2.2.2          0          100          0          i  2.2.2.2
VXLAN
*>i  [3]:[20]:[32,2.2.2.2]
                2.2.2.2          0          100          0          i  2.2.2.2
VXLAN
```

```
RD[3.3.3.3:11]
*>i [3]:[10]:[32,3.3.3.3]
          3.3.3.3          0          100          0          i 3.3.3.3
VXLAN
```

```
RD[3.3.3.3:21]
*>i [3]:[20]:[32,3.3.3.3]
          3.3.3.3          0          100          0          i 3.3.3.3
VXLAN
```

Total number of prefixes 21

VTEP2

```
VTEP2#show nvo vxlan
VXLAN Information
```

```
=====
```

```
Codes: NW - Network Port
        AC - Access Port
        (u) - Untagged
```

VNID	VNI-Name	VNI-Type	Type	Interface	ESI	VLAN	DF-Status
Src-Addr	Dst-Addr						
10	VNI-RED	L2	NW	----	----	----	----
2.2.2.2	1.1.1.1						
10	VNI-RED	L2	NW	----	----	----	----
2.2.2.2	3.3.3.3						
10	VNI-RED	--	AC	xe32	---	Single Homed Port	---
----	----						
10	VNI-RED	--	AC	po1	00:00:00:00:00:11:11:00:00:00	1001	DF
----	----						
10	VNI-RED	--	AC	po1	00:00:00:00:00:11:11:00:00:00	1002	NON-DF
----	----						
20	VNI-BLUE	L2	NW	----	----	----	----
2.2.2.2	1.1.1.1						
20	VNI-BLUE	L2	NW	----	----	----	----
2.2.2.2	3.3.3.3						
20	VNI-BLUE	--	AC	po1	00:00:00:00:00:11:11:00:00:00	3001	DF
----	----						

Total number of entries are 8

```
VTEP2#show nvo vxlan access-if
% Incomplete command.
```

```
VTEP2#show nvo vxlan access-if brief
```

Interface	Vlan	Inner	Admin	Link
		vlan	status	status
		Ifindex	Vnid	

VXLAN Multi-homing Configuration

```
xe32      ---   ---   500004   10       up       up
po1       1002  ---   500001   10       up       up
po1       1001  ---   500000   10       up       up
po1       3001  ---   500002   20       up       up
```

Total number of entries are 4

```
VTEP2#show bgp l2vpn evpn summary
BGP router identifier 2.2.2.2, local AS number 500
BGP table version is 4
1 BGP AS-PATH entries
0 BGP community entries
```

Neighbor PfxRcd	AD	MACIP	V MCAST	AS	MsgRcv ESI	MsgSen PREFIX-ROUTE	TblVer	InQ	OutQ	Up/Down	State/
1.1.1.1			4	500	172	171	4	0	0	01:09:28	
6	3	0	2	1	0						
3.3.3.3			4	500	165	173	4	0	0	01:09:29	
2	0	0	2	0	0						

Total number of neighbors 2

Total number of Established sessions 2

```
VTEP2#show nvo vxlan tunnel
VXLAN Network tunnel Entries
Source          Destination          Status          Up/Down          Update
=====
2.2.2.2         1.1.1.1             Installed       01:09:38         00:35:24
2.2.2.2         3.3.3.3             Installed       01:09:39         01:09:39
```

Total number of entries are 2

```
VTEP2#show bgp l2vpn evpn multihoming es-route
```

```
RD[1.1.1.1:1]
ESI          PE IP-Address  Nexthop IP      Encap
00:00:00:00:00:11:11:00:00:00  1.1.1.1       1.1.1.1         VXLAN
```

```
RD[2.2.2.2:1] VRF[evpn-gvrf-1]:
ESI          PE IP-Address  Nexthop IP      Encap
00:00:00:00:00:11:11:00:00:00  1.1.1.1       1.1.1.1         VXLAN
00:00:00:00:00:11:11:00:00:00  2.2.2.2       2.2.2.2         VXLAN
```

```
VTEP2#show bgp l2vpn evpn multihoming ethernet-ad-per-es
```

```
RD[1.1.1.1:1]
ESI          Eth-Tag        VNID/LABEL      Nexthop IP      Encap
00:00:00:00:00:11:11:00:00:00  4294967295    0               1.1.1.1         VXLAN
```

```
RD[2.2.2.2:1] VRF[evpn-gvrf-1]:
ESI          Eth-Tag        VNID/LABEL      Nexthop IP      Encap
```



```
00:00:00:00:00:11:11:00:00:00  4294967295  0                2.2.2.2          VXLAN
```

```
RD[2.2.2.2:11] VRF[VRF1]:
```

```
ESI                Eth-Tag      VNID/LABEL      Nexthop IP      Encap
00:00:00:00:00:11:11:00:00:00  4294967295  0                1.1.1.1          VXLAN
```

```
RD[2.2.2.2:21] VRF[VRF2]:
```

```
ESI                Eth-Tag      VNID/LABEL      Nexthop IP      Encap
00:00:00:00:00:11:11:00:00:00  4294967295  0                1.1.1.1          VXLAN
```

```
VTEP2#show bgp l2vpn evpn multihoming ethernet-ad-per-evi
```

```
RD[1.1.1.1:11]
```

```
ESI                Eth-Tag      VNID/LABEL      Nexthop IP      Encap
00:00:00:00:00:11:11:00:00:00  10           10              1.1.1.1          VXLAN
```

```
RD[1.1.1.1:21]
```

```
ESI                Eth-Tag      VNID/LABEL      Nexthop IP      Encap
00:00:00:00:00:11:11:00:00:00  20           20              1.1.1.1          VXLAN
```

```
RD[2.2.2.2:11] VRF[VRF1]:
```

```
ESI                Eth-Tag      VNID/LABEL      Nexthop IP      Encap
00:00:00:00:00:11:11:00:00:00  10           10              2.2.2.2          VXLAN
00:00:00:00:00:11:11:00:00:00  10           10              1.1.1.1          VXLAN
```

```
RD[2.2.2.2:21] VRF[VRF2]:
```

```
ESI                Eth-Tag      VNID/LABEL      Nexthop IP      Encap
00:00:00:00:00:11:11:00:00:00  20           20              2.2.2.2          VXLAN
00:00:00:00:00:11:11:00:00:00  20           20              1.1.1.1          VXLAN
```

```
VTEP2# show bgp l2vpn evpn
```

```
BGP table version is 4, local router ID is 2.2.2.2
```

```
Status codes: s suppressed, d damped, h history, * valid, > best, i - internal,
                l - labeled, S Stale
```

```
Origin codes: i - IGP, e - EGP, ? - incomplete
```

```
[EVPN route type]:[ESI]:[VNID]:[relevent route informantion]
```

- 1 - Ethernet Auto-discovery Route
- 2 - MAC/IP Route
- 3 - Inclusive Multicast Route
- 4 - Ethernet Segment Route
- 5 - Prefix Route

```
Network           Next Hop           Metric   LocPrf   Weight   Path Peer
Encap
```

```
RD[1.1.1.1:1]
```

```
*>i [1]:[00:00:00:00:00:11:11:00:00:00]:[4294967295]:[0]
                1.1.1.1                0           100           0           i 1.1.1.1
```

```
VXLAN
```

```
*>i [4]:[00:00:00:00:00:11:11:00:00:00]:[32,1.1.1.1]
```

VXLAN Multi-homing Configuration

```
VXLAN
    1.1.1.1          0          100          0          i 1.1.1.1

RD[1.1.1.1:11]
*>i  [1]:[00:00:00:00:00:11:11:00:00:00]:[10]:[10]
    1.1.1.1          0          100          0          i 1.1.1.1
VXLAN
*>i  [3]:[10]:[32,1.1.1.1]
    1.1.1.1          0          100          0          i 1.1.1.1
VXLAN

RD[1.1.1.1:21]
*>i  [1]:[00:00:00:00:00:11:11:00:00:00]:[20]:[20]
    1.1.1.1          0          100          0          i 1.1.1.1
VXLAN
*>i  [3]:[20]:[32,1.1.1.1]
    1.1.1.1          0          100          0          i 1.1.1.1
VXLAN

RD[2.2.2.2:1] VRF[evpn-gvrf-1]:
*>  [1]:[00:00:00:00:00:11:11:00:00:00]:[4294967295]:[0]
    2.2.2.2          0          100          32768      i -----
---      VXLAN
* i  [4]:[00:00:00:00:00:11:11:00:00:00]:[32,1.1.1.1]
    1.1.1.1          0          100          0          i 1.1.1.1
VXLAN
*>  [4]:[00:00:00:00:00:11:11:00:00:00]:[32,2.2.2.2]
    2.2.2.2          0          100          32768      i -----
---      VXLAN

RD[2.2.2.2:11] VRF[VRF1]:
*>  [1]:[00:00:00:00:00:11:11:00:00:00]:[10]:[10]
    2.2.2.2          0          100          32768      i -----
---      VXLAN
* i  1.1.1.1          0          100          0          i 1.1.1.1
VXLAN
* i  [1]:[00:00:00:00:00:11:11:00:00:00]:[4294967295]:[0]
    1.1.1.1          0          100          0          i 1.1.1.1
VXLAN
* i  [3]:[10]:[32,1.1.1.1]
    1.1.1.1          0          100          0          i 1.1.1.1
VXLAN
*>  [3]:[10]:[32,2.2.2.2]
    2.2.2.2          0          100          32768      i -----
---      VXLAN
* i  [3]:[10]:[32,3.3.3.3]
    3.3.3.3          0          100          0          i 3.3.3.3
VXLAN

RD[2.2.2.2:21] VRF[VRF2]:
*>  [1]:[00:00:00:00:00:11:11:00:00:00]:[20]:[20]
    2.2.2.2          0          100          32768      i -----
---      VXLAN
```

```
* i          1.1.1.1          0          100          0          i 1.1.1.1
VXLAN
* i [1]:[00:00:00:00:00:11:11:00:00:00]:[4294967295]:[0]
          1.1.1.1          0          100          0          i 1.1.1.1
VXLAN
* i [3]:[20]:[32,1.1.1.1]
          1.1.1.1          0          100          0          i 1.1.1.1
VXLAN
*> [3]:[20]:[32,2.2.2.2]
          2.2.2.2          0          100          32768          i -----
---          VXLAN
* i [3]:[20]:[32,3.3.3.3]
          3.3.3.3          0          100          0          i 3.3.3.3
VXLAN

RD[3.3.3.3:11]
*>i [3]:[10]:[32,3.3.3.3]
          3.3.3.3          0          100          0          i 3.3.3.3
VXLAN

RD[3.3.3.3:21]
*>i [3]:[20]:[32,3.3.3.3]
          3.3.3.3          0          100          0          i 3.3.3.3
VXLAN
```

Total number of prefixes 21

VTEP3

```
VTEP3# show nvo vxlan
VXLAN Information
```

=====

```
Codes: NW - Network Port
       AC - Access Port
       (u) - Untagged
```

VNID	VNI-Name	VNI-Type	Type	Interface	ESI	VLAN	DF-Status
Src-Addr	Dst-Addr						
10	VNI-RED	L2	NW	----	----	----	----
3.3.3.3	2.2.2.2						
10	VNI-RED	L2	NW	----	----	----	----
3.3.3.3	1.1.1.1						
10	VNI-RED	--	AC	xe48	---	Single Homed Port	---
----	----						
10	VNI-RED	--	AC	xe48	---	Single Homed Port	---
----	----						
20	VNI-BLUE	L2	NW	----	----	----	----
3.3.3.3	2.2.2.2						
20	VNI-BLUE	L2	NW	----	----	----	----
3.3.3.3	1.1.1.1						
20	VNI-BLUE	--	AC	xe48	---	Single Homed Port	---
----	----						
						3001	----

VXLAN Multi-homing Configuration

Total number of entries are 7

VTEP3#show nvo vxlan access-if brief

Interface	Vlan	Inner vlan	Ifindex	Vnid	Admin status	Link status
xe48	1002	---	500001	10	up	up
xe48	1001	---	500000	10	up	up
xe48	3001	---	500002	20	up	up

Total number of entries are 3

VTEP3#show bgp l2vpn evpn summary

BGP router identifier 3.3.3.3, local AS number 500

BGP table version is 4

1 BGP AS-PATH entries

0 BGP community entries

Neighbor PfxRcd	AD	MACIP	V MCAST	AS	MsgRcv ESI	MsgSen PREFIX-ROUTE	TblVer	InQ	OutQ	Up/Down	State/
1.1.1.1 6	3	0	4 2	500 1	177 0	173	3	0	0	01:11:49	
2.2.2.2 6	3	0	4 2	500 1	177 0	171	2	0	0	01:11:59	

Total number of neighbors 2

Total number of Established sessions 2

VTEP3#show nvo vxlan tunnel

VXLAN Network tunnel Entries

Source	Destination	Status	Up/Down	Update
3.3.3.3	2.2.2.2	Installed	01:12:10	01:12:10
3.3.3.3	1.1.1.1	Installed	01:12:00	01:12:00

Total number of entries are 2

VTEP3#show bgp l2vpn evpn multihoming es-route

RD[1.1.1.1:1]

ESI	PE IP-Address	Nexthop IP	Encap
00:00:00:00:00:11:11:00:00:00	1.1.1.1	1.1.1.1	VXLAN

RD[2.2.2.2:1]

ESI	PE IP-Address	Nexthop IP	Encap
00:00:00:00:00:11:11:00:00:00	2.2.2.2	2.2.2.2	VXLAN

VTEP3#show bgp l2vpn evpn multihoming ethernet-ad-per-es

```
RD[1.1.1.1:1]
ESI                Eth-Tag    VNID/LABEL    Nexthop IP    Encap
00:00:00:00:00:11:11:00:00:00  4294967295  0              1.1.1.1      VXLAN
```

```
RD[2.2.2.2:1]
ESI                Eth-Tag    VNID/LABEL    Nexthop IP    Encap
00:00:00:00:00:11:11:00:00:00  4294967295  0              2.2.2.2      VXLAN
```

```
RD[3.3.3.3:11] VRF[VRF1]:
ESI                Eth-Tag    VNID/LABEL    Nexthop IP    Encap
00:00:00:00:00:11:11:00:00:00  4294967295  0              2.2.2.2      VXLAN
00:00:00:00:00:11:11:00:00:00  4294967295  0              1.1.1.1      VXLAN
```

```
RD[3.3.3.3:21] VRF[VRF2]:
ESI                Eth-Tag    VNID/LABEL    Nexthop IP    Encap
00:00:00:00:00:11:11:00:00:00  4294967295  0              2.2.2.2      VXLAN
00:00:00:00:00:11:11:00:00:00  4294967295  0              1.1.1.1      VXLAN
```

VTEP3#show bgp l2vpn evpn multihoming ethernet-ad-per-evi

```
RD[1.1.1.1:11]
ESI                Eth-Tag    VNID/LABEL    Nexthop IP    Encap
00:00:00:00:00:11:11:00:00:00  10          10            1.1.1.1      VXLAN
```

```
RD[1.1.1.1:21]
ESI                Eth-Tag    VNID/LABEL    Nexthop IP    Encap
00:00:00:00:00:11:11:00:00:00  20          20            1.1.1.1      VXLAN
```

```
RD[2.2.2.2:11]
ESI                Eth-Tag    VNID/LABEL    Nexthop IP    Encap
00:00:00:00:00:11:11:00:00:00  10          10            2.2.2.2      VXLAN
```

```
RD[2.2.2.2:21]
ESI                Eth-Tag    VNID/LABEL    Nexthop IP    Encap
00:00:00:00:00:11:11:00:00:00  20          20            2.2.2.2      VXLAN
```

```
RD[3.3.3.3:11] VRF[VRF1]:
ESI                Eth-Tag    VNID/LABEL    Nexthop IP    Encap
00:00:00:00:00:11:11:00:00:00  10          10            2.2.2.2      VXLAN
00:00:00:00:00:11:11:00:00:00  10          10            1.1.1.1      VXLAN
```

```
RD[3.3.3.3:21] VRF[VRF2]:
ESI                Eth-Tag    VNID/LABEL    Nexthop IP    Encap
00:00:00:00:00:11:11:00:00:00  20          20            2.2.2.2      VXLAN
00:00:00:00:00:11:11:00:00:00  20          20            1.1.1.1      VXLAN
```

VTEP3#show bgp l2vpn evpn

BGP table version is 4, local router ID is 3.3.3.3

Status codes: s suppressed, d damped, h history, * valid, > best, i - internal,

VXLAN Multi-homing Configuration

l - labeled, S Stale

Origin codes: i - IGP, e - EGP, ? - incomplete

[EVPN route type]:[ESI]:[VNID]:[relevent route informantion]

1 - Ethernet Auto-discovery Route

2 - MAC/IP Route

3 - Inclusive Multicast Route

4 - Ethernet Segment Route

5 - Prefix Route

Network Encap	Next Hop	Metric	LocPrf	Weight	Path	Peer
RD[1.1.1.1:1]						
*>i [1]:[00:00:00:00:00:11:11:00:00:00]:[4294967295]:[0]	1.1.1.1	0	100	0	i	1.1.1.1
VXLAN						
*>i [4]:[00:00:00:00:00:11:11:00:00:00]:[32,1.1.1.1]	1.1.1.1	0	100	0	i	1.1.1.1
VXLAN						
RD[1.1.1.1:11]						
*>i [1]:[00:00:00:00:00:11:11:00:00:00]:[10]:[10]	1.1.1.1	0	100	0	i	1.1.1.1
VXLAN						
*>i [3]:[10]:[32,1.1.1.1]	1.1.1.1	0	100	0	i	1.1.1.1
VXLAN						
RD[1.1.1.1:21]						
*>i [1]:[00:00:00:00:00:11:11:00:00:00]:[20]:[20]	1.1.1.1	0	100	0	i	1.1.1.1
VXLAN						
*>i [3]:[20]:[32,1.1.1.1]	1.1.1.1	0	100	0	i	1.1.1.1
VXLAN						
RD[2.2.2.2:1]						
*>i [1]:[00:00:00:00:00:11:11:00:00:00]:[4294967295]:[0]	2.2.2.2	0	100	0	i	2.2.2.2
VXLAN						
*>i [4]:[00:00:00:00:00:11:11:00:00:00]:[32,2.2.2.2]	2.2.2.2	0	100	0	i	2.2.2.2
VXLAN						
RD[2.2.2.2:11]						
*>i [1]:[00:00:00:00:00:11:11:00:00:00]:[10]:[10]	2.2.2.2	0	100	0	i	2.2.2.2
VXLAN						
*>i [3]:[10]:[32,2.2.2.2]	2.2.2.2	0	100	0	i	2.2.2.2
VXLAN						

```

RD[2.2.2.2:21]
*>i [1]:[00:00:00:00:00:11:11:00:00:00]:[20]:[20]
           2.2.2.2           0           100           0           i 2.2.2.2
VXLAN
*>i [3]:[20]:[32,2.2.2.2]
           2.2.2.2           0           100           0           i 2.2.2.2
VXLAN

RD[3.3.3.3:11] VRF[VRF1]:
* i [1]:[00:00:00:00:00:11:11:00:00:00]:[10]:[10]
           2.2.2.2           0           100           0           i 2.2.2.2
VXLAN
* i           1.1.1.1           0           100           0           i 1.1.1.1
VXLAN
* i [1]:[00:00:00:00:00:11:11:00:00:00]:[4294967295]:[0]
           2.2.2.2           0           100           0           i 2.2.2.2
VXLAN
* i           1.1.1.1           0           100           0           i 1.1.1.1
VXLAN
* i [3]:[10]:[32,1.1.1.1]
           1.1.1.1           0           100           0           i 1.1.1.1
VXLAN
* i [3]:[10]:[32,2.2.2.2]
           2.2.2.2           0           100           0           i 2.2.2.2
VXLAN
*> [3]:[10]:[32,3.3.3.3]
           3.3.3.3           0           100           32768           i -----
---      VXLAN

RD[3.3.3.3:21] VRF[VRF2]:
* i [1]:[00:00:00:00:00:11:11:00:00:00]:[20]:[20]
           2.2.2.2           0           100           0           i 2.2.2.2
VXLAN
* i           1.1.1.1           0           100           0           i 1.1.1.1
VXLAN
* i [1]:[00:00:00:00:00:11:11:00:00:00]:[4294967295]:[0]
           2.2.2.2           0           100           0           i 2.2.2.2
VXLAN
* i           1.1.1.1           0           100           0           i 1.1.1.1
VXLAN
* i [3]:[20]:[32,1.1.1.1]
           1.1.1.1           0           100           0           i 1.1.1.1
VXLAN
* i [3]:[20]:[32,2.2.2.2]
           2.2.2.2           0           100           0           i 2.2.2.2
VXLAN
*> [3]:[20]:[32,3.3.3.3]
           3.3.3.3           0           100           32768           i -----
---      VXLAN

Total number of prefixes 22

```

Static MAC-IP advertise through Single Home and Multihomed VTEPs

Advertise static MAC IPv4 from MH1 and SH3.

MH1-VTEPs: VTEP1 & VTEP2- same MAC should be configured on both VTEPs under po access-port, configs should be symmetric between MH VTEPs

SH3-VTEP: VTEP3

VTEP1(MH1)

#configure terminal	Enter Configure mode.
(config)# nvo vxlan access-if port-vlan po1 1001	Enter into VXLAN MH po1 access-port with VLAN 1001
(config-nvo-acc-if)#mac 0000.1111.1001 ip 11.11.10.1	Configure static MAC IP
(config-nvo-acc-if)#exit	Exit from VXLAN access-port config mode
(config)#commit	Commit the candidate configuration to the running configuration
(config)#exit	Exit from configuration mode

VTEP2(MH1)

#configure terminal	Enter Configure mode.
(config)#nvo vxlan access-if port-vlan po1 1001	Enter into VXLAN MH po1 access-port with vlan 1001
(config-nvo-acc-if)# mac 0000.1111.1001 ip 11.11.10.1	Configure static MAC IP
(config-nvo-acc-if)#exit	Exit from VXLAN access-port config mode
(config)#commit	Commit the candidate configuration to the running configuration
(config)#exit	Exit from configuration mode

VTEP3(SH)

#configure terminal	Enter Configure mode.
(config)# nvo vxlan access-if port-vlan xe48 1001	Enter into single-homed access-port - xe48 with VLAN 1001
(config-nvo-acc-if)#mac 0000.3333.1001 ip 11.11.10.2	Configure static MAC IP
(config-nvo-acc-if)#exit	Exit from VXLAN access-port config mode
(config)#commit	Commit the candidate configuration to the running configuration
(config)#exit	Exit from configuration mode

Validation

Verify MAC-table in MH VTEPs and Single Home VTEP, MAC will be advertised through ESI value which is advertised from VTEP1 and VTEP2 and VTEP IP from SH VTEP VTEP3.

Verify ARP-cache table in all VTEPs, VTEP1 and VTEP2 will learn VTEP3 IP.

Any ARP request comes for 11.11.10.2, VTEP1/VTEP2 will do proxy-ARP.

VTEP1

VTEP1#show nvo vxlan mac-table

```
=====
=====
                                     VXLAN MAC Entries
=====
=====
```

VNID Type	Interface Status	VlanId	Inner-VlanId AccessPortDesc	Mac-Addr	VTEP-Ip/ESI
10 Static Local	po1 -----	1001	----	0000.1111.1001	00:00:00:00:00:11:11:00:00:00
10 Static Remote	-----	-----	----	0000.3333.1001	3.3.3.3

Total number of entries are : 2

VTEP1#show nvo vxlan arp-cache

VXLAN ARP-CACHE Information

```
=====
```

VNID	Ip-Addr	Mac-Addr	Type	Age-Out	Retries-Left
10	11.11.10.1	0000.1111.1001	Static Local	----	
10	11.11.10.2	0000.3333.1001	Static Remote	----	

Total number of entries are 2

VTEP2

VTEP2#show nvo vxlan mac-table

```
=====
=====
                                     VXLAN MAC Entries
=====
=====
```

VNID Type	Interface Status	VlanId	Inner-VlanId AccessPortDesc	Mac-Addr	VTEP-Ip/ESI
10 Static Local	po1 -----	1001	----	0000.1111.1001	00:00:00:00:00:11:11:00:00:00

VXLAN Multi-homing Configuration

```
10          ----      ----      ----          0000.3333.1001 3.3.3.3
Static Remote -----
```

Total number of entries are : 2

```
VTEP2#show nvo vxlan arp-cache
```

```
VXLAN ARP-CACHE Information
```

```
=====
```

VNID	Ip-Addr	Mac-Addr	Type	Age-Out	Retries-Left
10	11.11.10.1	0000.1111.1001	Static Local	----	
10	11.11.10.2	0000.3333.1001	Static Remote	----	

Total number of entries are 2

VTEP3

```
VTEP3#show nvo vxlan mac-table
```

```
=====
```

VXLAN MAC Entries

```
=====
```

VNID	Interface	VlanId	Inner-VlanId	Mac-Addr	VTEP-Ip/ESI
Type	Status		AccessPortDesc		
10	----	1001	----	0000.1111.1001	00:00:00:00:00:11:11:00:00:00
Static Remote	-----		-----		
10	xe48	1001	----	0000.3333.1001	3.3.3.3
Static Local	-----		-----		

Total number of entries are : 2

```
VTEP3#show nvo vxlan arp-cache
```

```
VXLAN ARP-CACHE Information
```

```
=====
```

VNID	Ip-Addr	Mac-Addr	Type	Age-Out	Retries-Left
10	11.11.10.1	0000.1111.1001	Static Remote	----	
10	11.11.10.2	0000.3333.1001	Static Local	----	

Total number of entries are 2

Dynamic MAC advertise through Single Home and Multihomed VTEPs

Advertise 2 MAC's through CE1 connected IXIA, dynamic MAC entries and verify MAC-table in all VTEPs.

One MAC will be dynamic local in VTEP1 and same will be remote in VTEP2 and other be dynamic local in VTEP2 and same will be remote in VTEP1.

Both MAC's will be in remote in VTEP3.

VTEP1

VTEP1#show nvo vxlan mac-table

```
=====
=====
                                     VXLAN MAC Entries
=====
=====
```

VNID Type	Interface Status	VlanId	Inner-VlanId AccessPortDesc	Mac-Addr	VTEP-Ip/ESI
10 Dynamic Local	po1 -----	1001	----	0000.1111.1002	00:00:00:00:00:11:11:00:00:00
10 Dynamic Remote	---- -----	1002	----	0000.1111.1003	00:00:00:00:00:11:11:00:00:00

Total number of entries are : 2

VTEP1#show nvo vxlan arp-cache

VXLAN ARP-CACHE Information

```
=====
```

VNID	Ip-Addr	Mac-Addr	Type	Age-Out	Retries-Left
10	21.21.21.1	0000.1111.1002	Dynamic Local	----	
10	31.1.31.1	0000.1111.1003	Dynamic Remote	----	

Total number of entries are 2

VTEP2

VTEP2#show nvo vxlan mac-table

```
=====
=====
                                     VXLAN MAC Entries
=====
=====
```

VNID Type	Interface Status	VlanId	Inner-VlanId AccessPortDesc	Mac-Addr	VTEP-Ip/ESI
10 Dynamic Remote	---- -----	1001	----	0000.1111.1002	00:00:00:00:00:11:11:00:00:00
10 Dynamic Local	po1 -----	1002	----	0000.1111.1003	00:00:00:00:00:11:11:00:00:00

Total number of entries are : 2

VTEP2#show nvo vxla arp-cache

VXLAN ARP-CACHE Information

```
=====
```

VXLAN Multi-homing Configuration

```
VNID      Ip-Addr      Mac-Addr      Type      Age-Out      Retries-Left
-----
10        21.21.21.1   0000.1111.1002 Dynamic Remote ----
10        31.1.31.1    0000.1111.1003 Dynamic Local  ----
Total number of entries are 2
```

VTEP3

```
VTEP3#show nvo vxlan mac-table
```

```
=====
=====
                                VXLAN MAC Entries
=====
=====
VNID      Interface VlanId Inner-VlanId Mac-Addr      VTEP-IP/ESI
Type      Status    AccessPortDesc
-----
10        ----     1001     ----          0000.1111.1002 00:00:00:00:00:11:11:00:00:00
Dynamic Remote -----
10        ----     1002     ----          0000.1111.1003 00:00:00:00:00:11:11:00:00:00
Dynamic Remote -----
```

```
Total number of entries are : 2
```

```
VTEP3#show nvo vxlan arp-cache
```

```
VXLAN ARP-CACHE Information
```

```
=====
VNID      Ip-Addr      Mac-Addr      Type      Age-Out      Retries-Left
-----
10        21.21.21.1   0000.1111.1002 Dynamic Remote ----
10        31.1.31.1    0000.1111.1003 Dynamic Remote ----
Total number of entries are 2
```

Note: When VTEP1 tunnel goes down, then traffic from VTEP3 will use VTEP2 for forwarding. But Traffic from Switch to VTEP1 will be lost in VTEP1 itself.

When DUT is rebooted, access-if will be in hold down state until ESI hold timer value expiry. After ESI hold timer expiry, access-if port will be up and started learning.

MAC Hold timer will not be applicable on ESI interface, because of mass-withdraw requirement.

A CE can connect to maximum two nodes for multihoming, more than two nodes in a multihoming group is not supported.

All configuration (shutdown, disable learning, disable arp/nd cache, disable arp/nd flood, map vnid, qos profiles, encapsulation) on a multihomed access port should be same on both VTEPs sharing the ESI for multihoming functionalities to work properly.

Multiple ESI values are supported on same VTEP.

CHAPTER 6 VXLAN Hybrid Access Port Configuration

This chapter shows how to configure a hybrid access port which is a Layer 2 Port (configured switchport) that is part of both a VXLAN domain and a Layer 2 bridge with different VLANs.

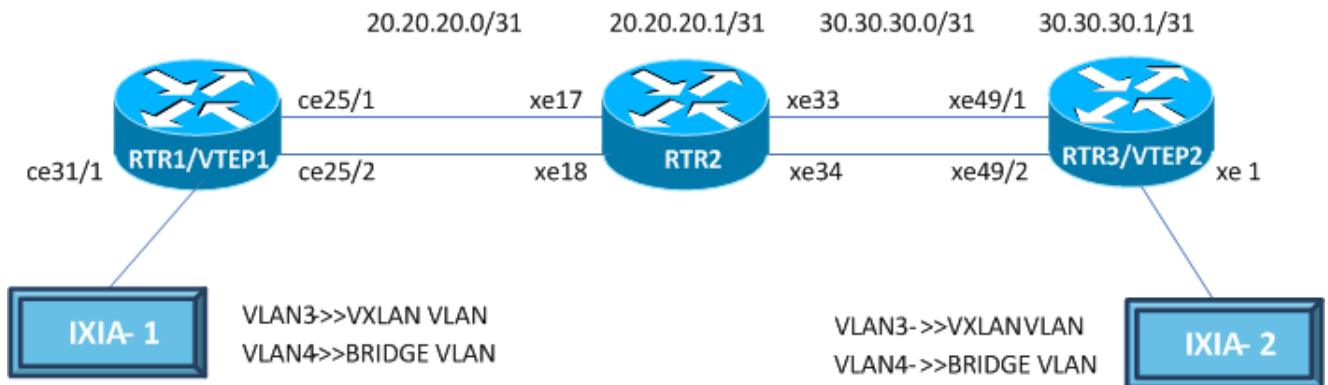
Overview

A hybrid VXLAN access port is a Layer 2 port that is part of regular Layer 2 bridge (RSTP/MSTP/STP) and a VXLAN bridge. The mapping between Layer 2 bridging and VxLAN untagged and tagged access interface is supported on the same Layer 2 switch port interface. The same VLAN cannot be a part of both a VXLAN domain and a Layer 2 bridge.

If a port is created with “all” VLANS, then the port should not allow VXLAN access-port configurations. If a VXLAN with a specific VLAN is mapped, then configuring VLAN “all” on the same port does not allow that specified VLAN in a Layer 2 bridge. If the VXLAN access-port configurations are removed, then the specified VLAN is added immediately in a Layer 2 bridge.

Ingress traffic with a VXLAN VLAN does not receive Layer 2 traffic or vice-versa. STP states on the Port P1 do not affect VXLAN traffic.

Topology



RTR1/VTEP1

#configure terminal	Enter configure mode.
(config)#interface lo	Enter interface mode for loopback.
(config-if)#ip address 10.10.10.10/32 secondary	Assign secondary IP address.
(config-if)#exit	Exit interface mode.
(config)#mac vrf vrf12345	Create mac routing/forwarding instance with vrf12345 name and enter VRF mode.
(config-vrf)#rd 1.1.1.1:1	Assign Rd value.
(config-vrf)#route-target both 10.10.10.10:10	Assign route-target both value.
(config-vrf)#exit	Exit VRF configuration mode.
(config)#bridge 32 protocol ieee vlan-bridge	Configure the ieee vlan-bridge with Id 32.

VXLAN Hybrid Access Port Configuration

(config)#vlan 2-5 bridge 32	Configure the vlans 2-5 for the configured bridge Id 32.
(config)#interface ce25/1	Enter interface mode for ce25/1.
(config-if)#ip address 20.20.20.0/31	Assign IP address 20.20.20.0 in /31 mask.
(config-if)#exit	Exit interface mode.
(config)#interface ce25/2	Enter interface mode for ce25/2.
(config-if)#switchport	Make it L2 interface.
(config-if)#bridge-group 32	Associate the bridge-group 32 to the interface.
(config-if)#switchport mode hybrid	Configure the Hybrid mode.
(config-if)# switchport hybrid allowed vlan add 4 egress-tagged enable	Configure hybrid allowed vlan add 4 to support the created vlan in the L2 Bridge.
(config-if)#exit	Exit interface mode.
(config)#interface ce31/1	Enter interface mode for ce31/1.
(config-if)#switchport	Make it L2 interface.
(config-if)#bridge-group 32	Associate the bridge-group 32 to the interface.
(config-if)#switchport mode hybrid	Configure the Hybrid mode.
(config-if)# switchport hybrid allowed vlan add 4 egress-tagged enable	Configure hybrid allowed vlan add 4 to support the created vlan in the L2 Bridge.
(config-if)#exit	Exit interface mode.
(config)#router bgp 64512	Enter BGP router mode.
(config-router)# bgp router-id 1.1.1.1	Assign BGP router ID
(config-router)#neighbor 20.20.20.1 remote-as 64513	Specify a neighbor router with peer ip address and remote-as defined.
(config-router)#address-family l2vpn evpn	Enter l2vpn address family mode.
(config-router-af)#neighbor 20.20.20.1 activate	Activate the peer into address family mode.
(config-router)#address-family ipv4 unicast	Enter into ipv4 unicast address family
(config-router-af)#network 10.10.10.10/32	Advertise loopback network into BGP for VTEP ID reachability
(config-router-af)#exit-address-family	Exit ipv4 unicast address family mode
(config-router-af)#exit-address-family	Exit l2vpn address family mode.
(config-router)#exit	Exit BGP router mode.
(config)#nvo vxlan enable	Enable Vxlan.
(config)#nvo vxlan vtep-ip-global 10.10.10.10	Configure the source Vtep-ip.
(config)#nvo vxlan id 16777215 ingress-replication inner-vid-disabled	Configure Vxlan Network identifier with/without inner-vid-disabled configure and enter Vxlan tenant mode.
(config-nvo)#vxlan host-reachability-protocol evpn-bgp vrf12345	Assign VRF for evpn-bgp to carry evpn route.
(config-nvo)#exit	Exit Vxlan tenant mode.
(config)#nvo vxlan access-if port-vlan ce31/1 3	Enable port-vlan mapping i.e. access port to outer-vlan (SVLAN) mapping.
(config-nvo-acc-if)#map vnid 16777215	Map Vxlan Identifier to access-port.
(config-nvo-acc-if)#exit	Exit Vxlan access-interface mode.
(config)#commit	Commit the candidate configuration to the running configuration

RTR2

#configure terminal	Enter configure mode.
(config)#bridge 32 protocol ieee vlan-bridge	Configure the ieee vlan-bridge with Id 32.
(config)#vlan 2-5 bridge 32	Configure the vlans 2-5 for the configured bridge Id 32.
(config)#interface xe17	Enter interface mode for xe17.
(config-if)#ip address 20.20.20.1/31	Assign IP address 20.20.20.1 in /31 mask.
(config-if)#exit	Exit interface mode.
(config)#interface xe18	Enter interface mode for xe18.
(config-if)#switchport	Make it L2 interface .
(config-if)#bridge-group 32	Associate the bridge-group 32 to the interface.
(config-if)#switchport mode hybrid	Configure the Hybrid mode.
(config-if)#switchport hybrid allowed vlan add 4 egress-tagged enable	Configure hybrid allowed vlan add 4 to support the created vlan in the L2 Bridge.
(config-if)#exit	Exit interface mode.
(config)#interface xe33	Enter interface mode for xe33.
(config-if)#ip address 30.30.30.0/31	Assign IP address 30.30.30.0 in /31 mask.
(config-if)#exit	Exit interface mode.
(config)#interface xe34	Enter interface mode for xe34.
(config-if)#switchport	Make it L2 interface.
(config-if)#bridge-group 32	Associate the bridge-group 32 to the interface.
(config-if)#switchport mode hybrid	Configure the Hybrid mode.
(config-if)#switchport hybrid allowed vlan add 4 egress-tagged enable	Configure hybrid allowed vlan add 4 to support the created vlan in the L2 Bridge.
(config-if)#exit	Exit interface mode.
(config)#router bgp 64513	Enter BGP router mode.
(config-router)#bgp router-id 2.2.2.2	Assign BGP router ID
(config-router)#neighbor 20.20.20.0 remote-as 64512	Specify a neighbor router with peer ip address and remote-as defined.
(config-router)#neighbor 30.30.30.1 remote-as 64514	Specify a neighbor router with peer ip address and remote-as defined.
(config-router)#address-family l2vpn evpn	Enter l2vpn address family mode.
(config-router-af)#neighbor 20.20.20.0 activate	Activate the peer into address family mode.
(config-router-af)#neighbor 30.30.30.1 activate	Activate the peer into address family mode.
(config-router-af)#exit-address-family	Exit l2vpn address family mode.
(config-router)#exit	Exit BGP router mode.
(config)#commit	Commit the candidate configuration to the running configuration

RTR3/VTEP2

#configure terminal	Enter configure mode.
(config)#interface lo	Enter interface mode for loopback.
(config-if)#ip address 40.40.40.40/32 secondary	Assign secondary IP address.
(config-if)#exit	Exit interface mode.
(config)#mac vrf vrf12345	Create mac routing/forwarding instance with vrf12345 name and enter VRF mode.
(config-vrf)#rd 2.2.2.2:2	Assign Rd value.
(config-vrf)#route-target both 10.10.10.10:10	Assign route-target both value.
(config-vrf)#exit	Exit VRF configuration mode.
(config)#bridge 32 protocol ieee vlan-bridge	Configure the ieee vlan-bridge with Id 32.
(config)#vlan 2-5 bridge 32	Configure the vlans 2-5 for the configured bridge Id 32.
(config)#interface xe 49/1	Enter interface mode for xe49/1.
(config-if)#ip address 30.30.30.1/31	Assign Ip address 30.30.30.1 in /31 mask.
(config-if)#exit	Exit interface mode.
(config)#interface xe49/2	Enter interface mode for xe49/2.
(config-if)#switchport	Make it L2 interface .
(config-if)#bridge-group 32	Associate the bridge-group 32 to the interface.
(config-if)#switchport mode hybrid	Configure the Hybrid mode.
(config-if)#switchport hybrid allowed vlan add 4 egress-tagged enable	Configure hybrid allowed vlan add 4 to support the created vlan in the L2 Bridge.
(config-if)#exit	Exit interface mode.
(config)#interface xe1	Enter interface mode for xe1.
(config-if)#switchport	Make it L2 interface .
(config-if)#bridge-group 32	Associate the bridge-group 32 to the interface.
(config-if)#switchport mode hybrid	Configure the Hybrid mode.
(config-if)#switchport hybrid allowed vlan add 4 egress-tagged enable	Configure hybrid allowed vlan add 4 to support the created vlan in the L2 Bridge.
(config-if)#exit	Exit interface mode.
(config)#router bgp 64514	Enter BGP router mode.
(config-router)# bgp router-id 3.3.3.3	Assign BGP router ID
(config-router)#neighbor 30.30.30.0 remote- as 64513	Specify a neighbor router with peer IP address and remote-as defined.
(config-router)#address-family ipv4 unicast	Enter into ipv4 unicast address family
(config-router-af)#network 40.40.40.40/32	Advertise loopback network into BGP for VTEP ID reachability
(config-router-af)#exit-address-family	Exit ipv4 unicast address family mode
(config-router)#address-family l2vpn evpn	Enter l2vpn address family mode.
(config-router-af)#neighbor 30.30.30.0 activate	Activate the peer into address family mode.
(config-router-af)#exit-address-family	Exit l2vpn address family mode.
(config-router)#exit	Exit BGP router mode.

(config)#nvo vxlan enable	Enable Vxlan.
(config)#nvo vxlan vtep-ip-global 40.40.40.40	Configure the source Vtep-ip.
(config)#nvo vxlan id 16777215 ingress-replication inner-vid-disabled	Configure Vxlan Network identifier with/without inner-vid-disabled configure and enter Vxlan tenant mode.
(config-nvo)#vxlan host-reachability-protocol evpn-bgp vrf12345	Assign VRF for evpn-bgp to carry evpn route.
(config-nvo)#exit	Exit Vxlan tenant mode.
(config)#nvo vxlan access-if port-vlan xe1 3	Enable port-vlan mapping i.e. access port to outer-vlan (SVLAN) mapping.
(config-nvo-acc-if)#map vnid 16777215	Map Vxlan Identifier to access-port.
(config-nvo-acc-if)#exit	Exit Vxlan access-interface mode.
(config)#commit	Commit the candidate configuration to the running configuration

Validation

VTEP1

```
#show running-config nvo vxlan
!
nvo vxlan enable
!
nvo vxlan vtep-ip-global 10.10.10.10
!
nvo vxlan id 16777215 ingress-replication inner-vid-disabled
  vxlan host-reachability-protocol evpn-bgp vrf12345
!
nvo vxlan access-if port-vlan ce31/1 3
  map vnid 16777215
!
```

```
VTEP1#show nvo vxlan
```

```
VXLAN Information
```

```
=====
```

```
Codes: NW - Network Port
```

```
AC - Access Port
```

```
(u) - Untagged
```

VNID	VNI-Name	VNI-Type	Type	Interface	ESI	VLAN	DF-
Status	Src-Addr	Dst-Addr					
16777215	----	L2	NW	----	-----	----	--
--	10.10.10.10	40.40.40.40					
16777215	----	--	AC	ce31/1	---	Single Homed Port	---
---	----	----					3 -

```
Total number of entries are 2
```

VXLAN Hybrid Access Port Configuration

VTEP1#show nvo vxlan vnid 16777215

VXLAN Information

=====

Codes: NW - Network Port
AC - Access Port
(u) - Untagged

VNID	VNI-Name	VNI-Type	Type	Interface	ESI	VLAN	DF-
Status	Src-Addr	Dst-Addr					
16777215	----	L2	NW	----	-----	----	--
--	10.10.10.10	40.40.40.40					
16777215	----	--	AC	ce31/1	---	Single Homed Port	---
---	----	----				3	-

Total number of entries are 2!

VTEP1#show ip route

Codes: K - kernel, C - connected, S - static, R - RIP, B - BGP

O - OSPF, IA - OSPF inter area

N1 - OSPF NSSA external type 1, N2 - OSPF NSSA external type 2

E1 - OSPF external type 1, E2 - OSPF external type 2

i - IS-IS, L1 - IS-IS level-1, L2 - IS-IS level-2,

ia - IS-IS inter area, E - EVPN,

v - vrf leaked

* - candidate default

IP Route Table for VRF "default"

C 10.10.10.10/32 is directly connected, lo, 01:15:55

C 20.20.20.0/31 is directly connected, xe10/1, 01:07:53

B 40.40.40.40/32 [20/0] via 20.20.20.1, xe10/1, 00:42:54

C 127.0.0.0/8 is directly connected, lo, 1d05h02m

Gateway of last resort is not set

VTEP1#show nvo vxlan tunnel

VXLAN Network tunnel Entries

Source	Destination	Status	Up/Down	Update
33.33.33.0	34.34.34.0	Installed	00:26:27	00:26:27

Total number of entries are 1

VTEP1#show bgp l2vpn evpn summary

BGP router identifier 10.10.10.2, local AS number 64512

BGP table version is 10

2 BGP AS-PATH entries

0 BGP community entries

```
Neighbor      V  AS  MsgRcv  MsgSen  TblVer  InQ  OutQ  Up/Down  State/
PfxRcd      AD  MACIP  MCAST  ESI  PREFIX-ROUTE
20.20.20.1   4 64513  108     109    10    0    0 00:48:14
3           0    2     1     0     0
```

Total number of neighbors 1

Total number of Established sessions 1

VTEP1#show bgp l2vpn evpn

BGP table version is 4, local router ID is 10.10.10.10

Status codes: s suppressed, d damped, h history, * valid, > best, i - internal,
l - labeled, S Stale

Origin codes: i - IGP, e - EGP, ? - incomplete

[EVPN route type]:[ESI]:[VNID]:[relevent route informantion]

- 1 - Ethernet Auto-discovery Route
- 2 - MAC/IP Route
- 3 - Inclusive Multicast Route
- 4 - Ethernet Segment Route
- 5 - Prefix Route

Network	Next Hop	Metric	LocPrf	Weight	Path	Peer
RD[1.1.1.1:1] VRF[vrf12345]:						
* [2]:[0]:[16777215]:[48,0000.0744.4433]:[0]:[16777215]	40.40.40.40	0	100		0	64513 64514
i 20.20.20.1	VXLAN					
*> [2]:[0]:[16777215]:[48,0000.2222.2222]:[0]:[16777215]	10.10.10.10	0	100		32768	i -----
-- VXLAN						
*> [3]:[16777215]:[32,10.10.10.10]	10.10.10.10	0	100		32768	i -----
-- VXLAN						
* [3]:[16777215]:[32,40.40.40.40]	40.40.40.40	0	100		0	64513 64514
i 20.20.20.1	VXLAN					
RD[2.2.2.2:2]						
*> [2]:[0]:[16777215]:[48,0000.0744.4433]:[0]:[16777215]	40.40.40.40	0	100		0	64513 64514
i 20.20.20.1	VXLAN					
*> [3]:[16777215]:[32,40.40.40.40]	40.40.40.40	0	100		0	64513 64514
i 20.20.20.1	VXLAN					

Total number of prefixes 6

VTEP1#show nvo vxlan mac-table

```
=====
=====
                                VXLAN MAC Entries
```

VXLAN Hybrid Access Port Configuration

```
=====
=====
VNID      Interface  VlanId Inner-VlanId Mac-Addr      VTEP-Ip/ESI
Type                                           AccessPortDesc
-----
16777215 ce31/1     3      ----      0000.2222.2222 10.10.10.10
Dynamic Local -----
16777215 ----     ----     ----     0000.0744.4433 40.40.40.40
Dynamic Remote -----
```

Total number of entries are : 2

VTEP1#show nvo vxlan arp-cache

VXLAN ARP-CACHE Information

```
=====
VNID      Ip-Addr      Mac-Addr      Type      Age-Out      Retries-Left
-----
```

Total number of entries are 0

VTEP1#show vlan brief

```
Bridge  VLAN ID      Name          State  H/W Status      Member ports
                                           (u)-Untagged, (t)-Tagged
=====
32      1            default      ACTIVE Success      ce25/2(u) ce31/1(u)
32      2            VLAN0002    ACTIVE Success
32      3            VLAN0003    ACTIVE Success
32      4            VLAN0004    ACTIVE Success      ce25/2(t) ce31/1(t)
32      5            VLAN0005    ACTIVE Success
```

RTR2

RTR2#show ip route

Codes: K - kernel, C - connected, S - static, R - RIP, B - BGP

O - OSPF, IA - OSPF inter area

N1 - OSPF NSSA external type 1, N2 - OSPF NSSA external type 2

E1 - OSPF external type 1, E2 - OSPF external type 2

i - IS-IS, L1 - IS-IS level-1, L2 - IS-IS level-2,

ia - IS-IS inter area, E - EVPN,

v - vrf leaked

* - candidate default

IP Route Table for VRF "default"

B 10.10.10.10/32 [20/0] via 20.20.20.0, xe17, 00:29:48

C 20.20.20.0/31 is directly connected, xe17, 02:33:29

C 30.30.30.0/31 is directly connected, xe33, 02:31:56

B 40.40.40.40/32 [20/0] via 30.30.30.1, xe33, 02:23:26

C 127.0.0.0/8 is directly connected, lo, 21:17:41

Gateway of last resort is not set

```
RTR2#show bgp l2vpn evpn summary
BGP router identifier 11.11.11.1, local AS number 64513
BGP table version is 10
2 BGP AS-PATH entries
0 BGP community entries
```

Neighbor PfxRcd	AD	MACIP	V MCAST	AS	MsgRcv ESI	MsgSen PREFIX-ROUTE	TblVer	InQ	OutQ	Up/Down	State/
20.20.20.0			4	64512	111	112	10	0	0	00:49:36	
3	0	2	1	0	0						
30.30.30.1			4	64514	101	103	10	0	0	00:45:10	
3	0	2	1	0	0						

Total number of neighbors 2

Total number of Established sessions 2

```
#show nvo vxlan vnid 16777215
VXLAN Information
```

=====

```
Codes: NW - Network Port
       AC - Access Port
       (u) - Untagged
```

VNID Status	VNI-Name Src-Addr	VNI-Type	Type	Interface	ESI	VLAN DF-
16777215	----	L2	NW	----	-----	----
--	40.40.40.40			10.10.10.10		
16777215	----	--	AC	xe1	--- Single Homed Port ---	3 ----
----	----					

Total number of entries are 2

```
RTR2#show vlan brief
```

Bridge	VLAN ID	Name	State	H/W Status	Member ports
					(u)-Untagged, (t)-Tagged
32	1	default	ACTIVE	Success	ce10/2 (u) ce11/2 (u)
32	2	VLAN0002	ACTIVE	Success	
32	3	VLAN0003	ACTIVE	Success	
32	4	VLAN0004	ACTIVE	Success	ce10/2 (t) ce11/2 (t)
32	5	VLAN0005	ACTIVE	Success	

VTEP2

```
#show running-config nvo vxlan
!
```

VXLAN Hybrid Access Port Configuration

```
nvo vxlan enable
!
nvo vxlan vtep-ip-global 40.40.40.40
!
nvo vxlan id 16777215 ingress-replication inner-vid-disabled
  vxlan host-reachability-protocol evpn-bgp vrf12345
!
nvo vxlan access-if port-vlan xe1 3
  no shutdown
  map vnid 16777215
!
```

```
VTEP2#show nvo vxlan
VXLAN Information
```

```
=====
Codes: NW - Network Port
       AC - Access Port
       (u) - Untagged

VNID      VNI-Name      VNI-Type Type Interface      ESI  VLAN DF-Status Src-Addr  Dst-Addr
-----
16777215 ----          L2      NW      ----          -----          ----  --
--      40.40.40.40      10.10.10.10
16777215 ----          --      AC      xe1          --- Single Homed Port --- 3  ----
-----
Total number of entries are 2
```

```
VTEP2#show ip route
```

```
Codes: K - kernel, C - connected, S - static, R - RIP, B - BGP
       O - OSPF, IA - OSPF inter area
       N1 - OSPF NSSA external type 1, N2 - OSPF NSSA external type 2
       E1 - OSPF external type 1, E2 - OSPF external type 2
       i - IS-IS, L1 - IS-IS level-1, L2 - IS-IS level-2,
       ia - IS-IS inter area, E - EVPN,
       v - vrf leaked
       * - candidate default
```

```
IP Route Table for VRF "default"
```

```
B 10.10.10.10/32 [20/0] via 30.30.30.0, xe11/1, 00:27:32
C 30.30.30.0/31 is directly connected, xe11/1, 00:30:00
C 40.40.40.40/32 is directly connected, lo, 00:31:00
C 127.0.0.0/8 is directly connected, lo, 06:25:00
```

```
Gateway of last resort is not set
```

```
VTEP2#show nvo vxlan tunnel
```

```
VXLAN Network tunnel Entries
```

```
Source          Destination      Status          Up/Down          Update
=====
```

```
40.40.40.40      10.10.10.10      Installed      00:14:40      00:14:40
Total number of entries are 1
```

```
VTEP2#show bgp l2vpn evpn summary
BGP router identifier 33.33.33.33, local AS number 64514
BGP table version is 8
2 BGP AS-PATH entries
0 BGP community entries
```

Neighbor PfxRcd	AD	MACIP	V MCAST	AS	MsgRcv ESI	MsgSen PREFIX-ROUTE	TblVer	InQ	OutQ	Up/Down	State/
30.30.30.0			4	64513	267	270	8	0	0	02:09:07	
2	0	1	1	0	0						

Total number of neighbors 1

Total number of Established sessions 1

```
VTEP2#show nvo vxlan access-if-config
nvo vxlan access-if port-vlan xe1/1 3
no shutdown
map vnid 16777215
!
```

```
VTEP2#show bgp l2vpn evpn
BGP table version is 8, local router ID is 40.40.40.40
Status codes: s suppressed, d damped, h history, * valid, > best, i - internal,
               l - labeled, S Stale
Origin codes: i - IGP, e - EGP, ? - incomplete
```

```
[EVPN route type]:[ESI]:[VNID]:[relevent route informantion]
1 - Ethernet Auto-discovery Route
2 - MAC/IP Route
3 - Inclusive Multicast Route
4 - Ethernet Segment Route
5 - Prefix Route
```

Network	Next Hop	Metric	LocPrf	Weight	Path	Peer
Encap						
RD[1.1.1.1:1]						
*>	[2]:[0]:[16777215]:[48,0000.2222.2222]:[0]:[16777215]					
i	30.30.30.0	VXLAN	10.10.10.10	0	100	0 64513 64512
*>	[3]:[16777215]:[32,10.10.10.10]					
i	30.30.30.0	VXLAN	10.10.10.10	0	100	0 64513 64512

```
RD[2.2.2.2:2] VRF[vrf12345]:
*> [2]:[0]:[16777215]:[48,0000.0744.4433]:[0]:[16777215]
```

VXLAN Hybrid Access Port Configuration

```

--          40.40.40.40          0          100          32768      i  -----
--          VXLAN
*          [2]:[0]:[16777215]:[48,0000.2222.2222]:[0]:[16777215]
          10.10.10.10          0          100          0          64513 64512
i 30.30.30.0          VXLAN
*          [3]:[16777215]:[32,10.10.10.10]
          10.10.10.10          0          100          0          64513 64512
i 30.30.30.0          VXLAN
*>         [3]:[16777215]:[32,40.40.40.40]
          40.40.40.40          0          100          32768      i  -----
--          VXLAN

```

Total number of prefixes 6

VTEP2#show nvo vxlan mac-table

```

=====
=====
                                VXLAN MAC Entries
=====
=====
VNID      Interface  VlanId Inner-VlanId Mac-Addr      VTEP-Ip/ESI
Type                               Status          AccessPortDesc
-----
16777215  ----          ----  ----          0000.2222.2222 10.10.10.10
Dynamic Remote
16777215  xe1           3      ----          0000.0744.4433 40.40.40.40
Dynamic Local

```

Total number of entries are : 2

VTEP2#show vlan brief

```

Bridge  VLAN ID      Name              State  H/W Status      Member ports
                               (u)-Untagged, (t)-Tagged
=====
32      1             default           ACTIVE Success          xe1 (u) xe49/2 (u)
32      2             VLAN0002          ACTIVE Success
32      3             VLAN0003          ACTIVE Success
32      4             VLAN0004          ACTIVE Success          xe1 (t) xe49/2 (t)
32      5             VLAN0005          ACTIVE Success

```

VTEP2#

CHAPTER 7 VXLAN Quality of Service Configuration

This chapter contains the configurations for VXLAN Quality of Service (QoS) .

Overview

VXLAN enables multiple tenants to operate in a data center. Each tenant is assigned a priority group to prioritize their traffic. Cloud carriers want to use quality of service to differentiate different applications.

Data center networks are being increasingly used by telecommunications operators as well as by enterprises. Currently these networks are organized as one large Layer 2 network in a single building. In some cases such a network is extended geographically using Virtual Local Area Network (VLAN) technologies as an even larger Layer 2 network connecting the virtual machines (VM), each with its own MAC address.

Multiple tenants might want their own isolated network domain. In a data center hosting multiple tenants, each tenant may independently assign MAC addresses and VLAN IDs and this might lead to duplication.

Cloud carriers wish to categorize the traffic based on the application such as voice, video, etc. Based on the type of the application different traffic classes may be identified and different priority levels can be assigned to each. To do so, quality of service marking is needed in VXLAN.

This chapter shows how to mark packet headers with the VXLAN tunnel end point (VTEP) when the frames are introduced by the virtual machines. The (re)marking /setting of QoS field DSCP/TOS in the VXLAN IP header is done with the two modes which are set globally.

Topology

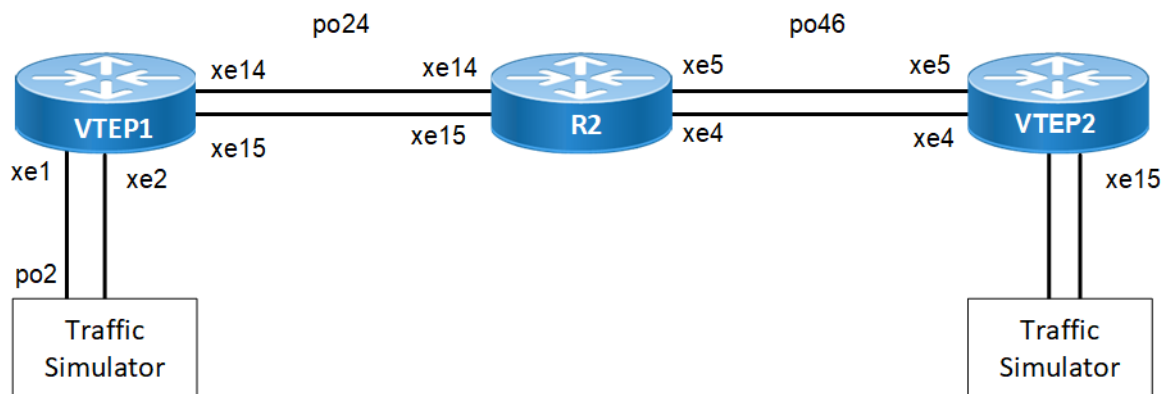


Figure 7-8: VXLAN QoS

COS-DSCP

RTR1/VTEP1

VTEP1#configure terminal	Enter Configure mode.
(config)#mac vrf vrf1	Create mac routing/forwarding instance with vrf1 name and enter into vrf mode
(config-vrf)#rd 1.1.1.1:11	Assign RD value
(config-vrf)#route-target both 10.10.10.10:100	Assign route-target value for import/export
(config-vrf)#exit	Exit from vrf mode
(config)#qos enable	Enable qos
(config)#qos profile cos-to-queue COS-QUE	Create qos profile for mapping traffic towards tunnel from access-if.
(config-ingress-cos-map)#cos 2 queue 3	Configure particular COS value to the queue value for configured profile.
(config-ingress-cos-map)#exit	Exit from qos profile config mode
(config)#qos profile queue-color-to-dscp QUE-DSCP	Create qos profile for attaching in vxlan tunnel egress.
(config-egress-dscp-map)#queue 3 dscp 16	Configure particular queue value to the dscp value for configured profile.
(config-egress-dscp-encap-map)#exit	Exit from qos profile config mode
(config)#interface po2	Create a port channel po2
(config-if)#switchport	Configure port as switchport
(config-if)#load-interval 30	Set load-interval
(config-if)#interface po24	Create a port channel po24
(config-if)#load-interval 30	Configure port as switchport
(config-if)#ip address 24.1.1.1/30	Set load-interval
(config-if)#interface lo	Enter in to loopback interface
(config-if)#ip address 1.1.1.1/32 secondary	Configure ip address
(config-if)#interface xe1	Enter in to interface mode
(config-if)#channel-group 2 mode active	Map to channel-group
(config-if)#interface xe2	Enter in to interface mode
(config-if)#channel-group 2 mode active	Map to channel-group
(config-if)#interface xe14	Enter in to interface mode
(config-if)#channel-group 24 mode ac-tive	Map to channel-group
(config-if)#interface xe15	Enter in to interface mode
(config-if)#channel-group 24 mode ac-tive	Map to channel-group
(config-if)#router ospf 1	Create ospf instance
(config-router)#ospf router-id 1.1.1.1	Configure ospf router-id
(config-router)#network 1.1.1.1/32 area 0.0.0.0	Configure loopback network address in to ospf
(config-router)#network 24.1.1.0/30 area 0.0.0.0	Configure network address in to ospf

(config-router)#router bgp 100	Enter into Router BGP mode
(config-router)#neighbor 6.6.6.6 re-mote-as 100	Specify a neighbor router with peer ip address and remote-as defined
(config-router)#neighbor 6.6.6.6 up-date-source lo	Specify the neighbor to use loopback address as source
(config-router)#address-family l2vpn evpn	Enter into l2vpn evpn address-family
(config-router-af)#neighbor 6.6.6.6 activate	Activate the neighbor to address-family
(config-router)#nvo vxlan vtep-ip-global 1.1.1.1	Configure Source vtep-ip-global configuration
(config)#nvo vxlan tunnel qos-map-mode cos-dscp egress QUE-DSCP	Configure the mapping qos profile in to vxlan tunnel egress
(config)#nvo vxlan id 1 in-gress-replication inner-vid-disabled	Create vnid 1 and disable inner-vid
(config-nvo)#vxlan host-reachability-protocol evpn-bgp vrf1	Assign vrf for evpn-bgp to carry EVPN route
(config-nvo)#nvo vxlan access-if port-vlan po2 1001	Create vxlan access-if with vlan 1001
(config-nvo-acc-if)#no shutdown	No shut the vxlan access-if
(config-nvo-acc-if)#map vnid 1	Map vnid to the vxlan access-if
(config-nvo-acc-if)#map qos-profile cos-to-queue COS-QUE	Map qos profile for vxlan access-if ingress traffic from CE
(config-nvo-acc-if)#exit	Exit from VxLAN access-interface mode and enter into configuration mode.
(config)#commit	Commit the candidate configuration to the running configuration

RTR2

R2#configure terminal	Enter Configure mode.
(config)#interface po24	Create port channel
(config-if)#load-interval 30	Set load-interval
(config-if)#ip address 24.1.1.2/30	Assign ip address
(config-if)#interface po46	Create port channel
(config-if)#load-interval 30	Set load-interval
(config-if)#ip address 46.1.1.1/30	Assign ip address
(config-if)#interface lo	Enter in to loopback interface
(config-if)#ip address 4.4.4.4/32 sec-ondary	Assign secondary ip address
(config-if)#interface xe4	Enter into interface mode
(config-if)#channel-group 46 mode active	Map port channel to the interface
(config-if)#interface xe5	Enter into interface mode
(config-if)#channel-group 46 mode active	Map port channel to the interface
(config-if)#interface xe14	Enter into interface mode
(config-if)#channel-group 24 mode active	Map port channel to the interface
(config-if)#interface xe15	Enter into interface mode

VXLAN Quality of Service Configuration

(config-if)#channel-group 24 mode active	Map port channel to the interface
(config-if)#router ospf 1	Create ospf instance
(config-router)#ospf router-id 4.4.4.4	Configure ospf router-id
(config-router)#network 4.4.4.4/32 area 0.0.0.0	Configure ospf network address with respective area
(config-router)#network 24.1.1.0/30 area 0.0.0.0	Configure ospf network address with respective area
(config-router)#network 46.1.1.0/30 area 0.0.0.0	Configure ospf network address with respective area
(config-router)#exit	Exit from router mode.
(config)#commit	Commit the candidate configuration to the running configuration

RTR3/VTEP2

VTEP2#configure terminal	Enter Configuration mode
(config)#mac vrf vrf1	Create mac routing/forwarding instance with vrf1 name and enter into vrf mode
(config-vrf)#rd 6.6.6.6:11	Assign RD value
(config-vrf)#route-target both 10.10.10.10:100	Assign route-target value for import/export
(config-vrf)#exit	Exit from vrf mode
(config)#qos enable	Enable QOS
(config)#qos statistics	Enable QOS statistics
(config)#qos profile queue-color-to-cos QUE-COS	Create qos profile for mapping incoming traffic from tunnel to access-if.
(config-egress-cos-map)#queue 4 cos 5	Configure particular queue value to the cos value for configured profile.
(config-egress-cos-map)#qos profile dscp-to-queue DSCP-QUE	Create qos profile for attaching in vxlan tunnel ingress.
(config-ingress-dscp-map)#dscp 16 queue 4	Configure particular dscp value to the queue value for configured profile.
(config-egress-dscp-map)#interface po46	Create port channel
(config-if)#load-interval 30	Set load interval
(config-if)#ip address 46.1.1.2/30	Assign ip address
(config-if)#interface lo	Enter into loopback interface
(config-if)#ip address 6.6.6.6/32 secondary	Assign secondary ip address
(config-if)#interface xe4	Enter into interface mode
(config-if)#channel-group 46 mode active	Map channel group into the interface
(config-if)#interface xe5	Enter into interface mode
(config-if)#channel-group 46 mode active	Map channel group into the interface
(config-if)#interface xe15	Enter into interface mode
(config-if)#switchport	Make interface as L2 port
(config-if)#load-interval 30	Set load interval
(config-if)#router ospf 1	Create ospf instance
(config-router)#ospf router-id 6.6.6.6	Configure ospf router-id
(config-router)#network 6.6.6.6/32 area 0.0.0.0	Configure ospf network address with respective area
(config-router)#network 46.1.1.0/30 area 0.0.0.0	Configure ospf network address with respective area
(config-router)#router bgp 100	Enter into Router BGP mode
(config-router)#neighbor 1.1.1.1 re-mote-as 100	Specify a neighbor router with peer ip address and remote-as defined
(config-router)#neighbor 1.1.1.1 up-date-source lo	Specify the neighbor to use loopback address as source
(config-router)#address-family l2vpn evpn	Enter into l2vpn evpn address-family
(config-router-af)#neighbor 1.1.1.1 activate	Activate the neighbor to address-family
(config)#nvo vxlan vtep-ip-global 6.6.6.6	Configure Source vtep-ip-global configuration

VXLAN Quality of Service Configuration

<code>(config)#nvo vxlan tunnel qos-map-mode cos-dscp ingress DSCP-QUE</code>	Configure the mapping qos profile in to vxlan tunnel ingress
<code>(config)#nvo vxlan id 1 in-gress-replication inner-vid-disabled</code>	Create vnid 1 and disable inner-vid
<code>(config-nvo)#vxlan host-reachability-protocol evpn-bgp vrf1</code>	Assign vrf for evpn-bgp to carry EVPN route
<code>(config-nvo)#nvo vxlan access-if port-vlan xe15 1000</code>	Create vxlan access-if with vlan 1000
<code>(config-nvo-acc-if)#no shutdown</code>	No shut the vxlan access-if
<code>(config-nvo-acc-if)#map vnid 1</code>	Map vnid to the vxlan access-if
<code>(config-nvo-acc-if)#map qos-profile queue-color-to-cos QUE-COS</code>	Map qos profile for vxlan access-if egress traffic to CE
<code>(config-nvo-acc-if)#exit</code>	Exit from VxLAN access-interface mode and enter into configuration mode
<code>(config)#commit</code>	Commit the candidate configuration to the running configuration

Validation

As per the qos configuration, when L2 traffic with cos value 2 sent to VTEP1 access-if, the packets forwarded to queue 3 and packets in queue 3 are mapped with overlay dscp value 16 while egress out of tunnel. At VTEP2, when packets with overlay dscp value 16 ingresses at tunnel, it is forwarded to queue 4 and packets of queue 4 are remarked with cos value 5.

RTR1/VTEP1

```
VTEP1#sh run nvo vxlan
!
nvo vxlan enable
!
nvo vxlan vtep-ip-global 1.1.1.1
!
nvo vxlan tunnel qos-map-mode cos-dscp egress QUE-DSCP
!
nvo vxlan id 1 ingress-replication inner-vid-disabled
  vxlan host-reachability-protocol evpn-bgp vrf1
!
nvo vxlan access-if port-vlan po2 1001
  map vnid 1
  map qos-profile cos-to-queue COS-QUE
!
VTEP1#show run qos
qos enable
!
qos profile cos-to-queue COS-QUE
  cos 2 dei all queue 3
!
qos profile queue-color-to-dscp QUE-DSCP
  queue 3 color all dscp 16
```


!

VTEP1#show interface xe14 count queue-stats

E - Egress, I - Ingress, Q-Size is in bytes

Queue/Class-map	Q-Size	Tx pkts	Tx bytes	Dropped pkts
q0	(E) 12517376	0	0	0
q1	(E) 12517376	0	0	0
q2	(E) 12517376	0	0	0
q3	(E) 12517376	205284588	188040683524	0
q4	(E) 12517376	0	0	0
q5	(E) 12517376	0	0	0
q6	(E) 12517376	0	0	0
q7	(E) 12517376	7518	1007412	0

VTEP1#show interface xe15 count queue-stats

E - Egress, I - Ingress, Q-Size is in bytes

Queue/Class-map	Q-Size	Tx pkts	Tx bytes	Dropped pkts
q0	(E) 12517376	0	0	0
q1	(E) 12517376	0	0	0
q2	(E) 12517376	0	0	0
q3	(E) 12517376	205624494	188352040168	0
q4	(E) 12517376	0	0	0
q5	(E) 12517376	0	0	0
q6	(E) 12517376	0	0	0
q7	(E) 12517376	9006	1136741	0

VTEP1#

VTEP1#show nvo vxlan

VXLAN Information

=====

Codes: NW - Network Port
 AC - Access Port
 (u) - Untagged

VNID	VNI-Name	VNI-Type	Type	Interface	ESI	VLAN	DF-Status
Src-Addr	Dst-Addr						
1	----	L2	NW	----	----	----	----
1.1.1.1	6.6.6.6						
1	----	AC	po2	---	Single Hommed port	---	1001

VXLAN Quality of Service Configuration

Total number of entries are 3
VTEP1#show nvo vxlan mac-table

```
=====
=====
                                     VXLAN MAC Entries
=====
=====
```

VNID Type	Interface	VlanId Status	Inner-VlanId	Mac-Addr AccessPortDesc	VTEP-Ip/ESI
1 Dynamic	po2 Local	1001 -----	----	0000.2000.9991 -----	1.1.1.1

Total number of entries are : 1

VTEP1#show nvo vxlan tunnel
VXLAN Network tunnel Entries

Source	Destination	Status	Up/Down	Update
1.1.1.1	6.6.6.6	Installed	00:11:29	00:11:29

Total number of entries are 2

VTEP1#

VTEP1#show qos-profile COS-QUE
profile name: COS-QUE
profile type: cos-to-queue
profile attached to 1 instances
configured mapping:

cos 2 dei all queue 3

Detailed mapping:

INPUT				OUTPUT			
COS	DEI	Queue	Color	COS	DEI	Queue	Color
0	0	0	green	0	1	0	yellow
1	0	1	green	1	1	1	yellow
2	0	3	green	2	1	3	yellow
3	0	3	green	3	1	3	yellow
4	0	4	green	4	1	4	yellow
5	0	5	green	5	1	5	yellow
6	0	6	green	6	1	6	yellow
7	0	7	green	7	1	7	yellow

VTEP1#

VTEP1#show qos-profile QUE-DSCP
profile name: QUE-DSCP
profile type: queue-color-to-dscp
profile attached to 1 instances

configured mapping:

queue 3 color all dscp 16

Detailed mapping:

INPUT			OUTPUT	INPUT			OUTPUT	INPUT			OUTPUT
Queue	Color	DSCP		Queue	Color	DSCP		Queue	Color	DSCP	
0	green	0		0	yellow	0		0	red	0	
1	green	10		1	yellow	12		1	red	14	
2	green	18		2	yellow	20		2	red	22	
3	green	16		3	yellow	16		3	red	16	
4	green	34		4	yellow	36		4	red	38	
5	green	40		5	yellow	40		5	red	40	
6	green	48		6	yellow	48		6	red	48	
7	green	56		7	yellow	56		7	red	56	

VTEP1#

RTR3/VTEP3

VTEP3#show run nvo vxlan

```

!
nvo vxlan enable
!
nvo vxlan vtep-ip-global 6.6.6.6
!
nvo vxlan tunnel qos-map-mode cos-dscp ingress DSCP-QUE
!
nvo vxlan id 1 ingress-replication inner-vid-disabled
vxlan host-reachability-protocol evpn-bgp vrf1
!
nvo vxlan access-if port-vlan xe15 1000
map vnid 1
map qos-profile queue-color-to-cos QUE-COS
!
!

```

VTEP3#show run qos

```

qos enable
qos statistics
!
qos profile queue-color-to-cos QUE-COS
queue 4 color all cos 5
!
qos profile dscp-to-queue DSCP-QUE
dscp 16 queue 4
!

```

VTEP3#show nvo vxlan mac-table

VXLAN Quality of Service Configuration

```

=====
=====
                                     VXLAN MAC Entries
=====
=====
VNID      Interface  VlanId Inner-VlanId Mac-Addr      VTEP-Ip/ESI
Type                               Status          AccessPortDesc
-----
1         ----      ----   ----          0000.2000.9991 1.1.1.1
Dynamic Remote                    -----

```

Total number of entries are : 1

```

VTEP3#show nvo vxlan tunnel
VXLAN Network tunnel Entries
Source          Destination      Status           Up/Down          Update
=====
6.6.6.6         1.1.1.1         Installed        00:09:39        00:09:39

```

Total number of entries are 2

```

VTEP3#show nvo vxlan
VXLAN Information
=====

```

```

Codes: NW - Network Port
       AC - Access Port
       (u) - Untagged

```

```

VNID      VNI-Name      VNI-Type Type Interface ESI          VLAN DF-Status
Src-Addr      Dst-Addr
-----
1         ----      L2      NW      ----      ----          ---- ----
6.6.6.6         1.1.1.1
1         ----      AC      xe15    --- Single Hommed port --- 1000 ----      ----
-----

```

Total number of entries are 3

```

VTEP3#

```

```

VTEP3#show interface xe15 count queue-stats
E - Egress, I - Ingress, Q-Size is in bytes
+-----+-----+-----+-----+-----+
| Queue/Class-map | Q-Size | Tx pkts | Tx bytes | Dropped pkts |
Dropped bytes |
+-----+-----+-----+-----+-----+
q0          (E) 12517376 0          0          0          0
q1          (E) 12517376 0          0          0          0
q2          (E) 12517376 0          0          0          0

```

q3	(E) 12517376 0	0	0	0
q4	(E) 12517376 37895872	36455829826	0	0
q5	(E) 12517376 0	0	0	0
q6	(E) 12517376 0	0	0	0
q7	(E) 12517376 0	0	0	0

VTEP3#

VTEP3#show qos-profile QUE-COS

profile name: QUE-COS

profile type: queue-color-to-cos

profile attached to 1 instances

configured mapping:

queue 4 color all cos 5

Detailed mapping:

INPUT			OUTPUT			INPUT			OUTPUT		
Queue	Color	COS	Queue	Color	COS	Queue	Color	COS	Queue	Color	COS
0	green	0	0	yellow	0	0	red	0			
1	green	1	1	yellow	1	1	red	1			
2	green	2	2	yellow	2	2	red	2			
3	green	3	3	yellow	3	3	red	3			
4	green	5	4	yellow	5	4	red	5			
5	green	5	5	yellow	5	5	red	5			
6	green	6	6	yellow	6	6	red	6			
7	green	7	7	yellow	7	7	red	7			

VTEP3#

VTEP3#show qos-profile DSCP-QUE

profile name: DSCP-QUE

profile type: dscp-to-queue

profile attached to 1 instances

configured mapping:

dscp 16 queue 4

Detailed mapping:

Ingress map for dscp to queue-color

INPUT			OUTPUT			INPUT			OUTPUT		
DSCP	Queue	Color	DSCP	Queue	Color	DSCP	Queue	Color	DSCP	Queue	Color
0	0	green	16	4	green	32	4	green	48		
6	0	green									
1	0	green	17	2	green	33	4	green	49		
6	0	green									

VXLAN Quality of Service Configuration

2	0	green		18	2	green		34	4	green		50
6	green											
3	0	green		19	2	green		35	4	green		51
6	green											
4	0	green		20	2	yellow		36	4	yellow		52
6	green											
5	0	green		21	2	green		37	4	green		53
6	green											
6	0	green		22	2	red		38	4	red		54
6	green											
7	0	green		23	2	green		39	4	green		55
6	green											
8	1	green		24	3	green		40	5	green		56
7	green											
9	1	green		25	3	green		41	5	green		57
7	green											
10	1	green		26	3	green		42	5	green		58
7	green											
11	1	green		27	3	green		43	5	green		59
7	green											
12	1	yellow		28	3	yellow		44	5	green		60
7	green											
13	1	green		29	3	green		45	5	green		61
7	green											
14	1	red		30	3	red		46	5	green		62
7	green											
15	1	green		31	3	green		47	5	green		63
7	green											

VTEP3#

CHAPTER 8 VXLAN Trunk Access Port

In VxLAN, most of the use cases demand to carry the complete traffic received on the access interface to another VTEP access-port. Hence, this support of accepting all tagged and untagged traffic received on the mapped physical port.

Topology

The configurations used in this section use the topology in [Figure 8-9](#).

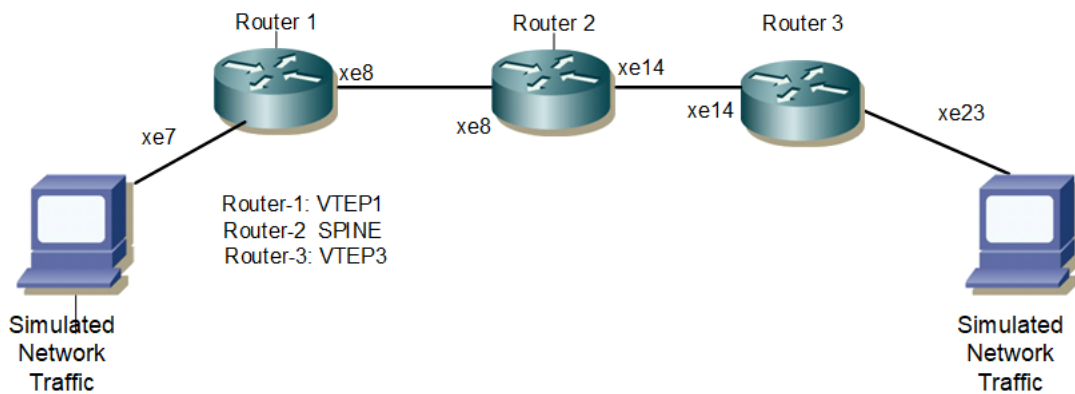


Figure 8-9: VXLAN Trunk Access Port

Base Configuration - L2 VXLAN

VTEP1

Hardware profile and generic configuration:

#configure terminal	Enter Configure mode.
(config)#qos enable	Enable qos
(config)#commit	Committing the configurations

Interface and loopback configuration:

(config)#interface xe7	Enter Interface mode for xe7
(config-if)#switchport	Make it L2 interface
(config-if)#exit	Exit Interface mode and return to Configure mode.
(config)#interface xe8	Enter Interface mode for xe8
(config-if)#ip add 10.10.10.1/24	Configuring the ip address in the network side
(config-if)#exit	Exit Interface mode and return to Configure mode.
(config)#interface lo	Enter Interface mode for lo
(config-if)#ip address 1.1.1.1/32 secondary	Configure loopback ip address as 1.1.1.1 for VTEP1
(config-if)#exit	Exit Interface mode and return to Configure mode.
(config)#commit	Committing the interface configurations

OSPF configuration:

(config)#router ospf 1	Enter into router OSPF mode
(config-router)#ospf router-id 1.1.1.1	Configure router-id as 1.1.1.1 (lo ip address)
(config-router)#network 1.1.1.1/32 area 0.0.0.0	Add 1.1.1.1 (lo ip address) network into area 0
(config-router)#network 10.10.10.0/24 area 0.0.0.0	Add 10.10.10.0(Spine) network into area 0
(config-router)#bfd all-interfaces	Enabling bfd on all ospf interface for fast convergence
(config-router)#exit	Exit Interface mode and return to Configure mode.
(config)#commit	Committing the ospf configurations

BGP configuration:

(config)#router bgp 1	Enter into Router BGP mode
(config-router)#bgp router-id 1.1.1.1	Configure router-id as 1.1.1.1 (lo ip address)
(config-router)#neighbor 2.2.2.2 remote-as 1	Specify a VTEP2 loopback ip address and remote-as defined
(config-router)#neighbor 2.2.2.2 update-source lo	Configure update as loopback for VTEP2
(config-router)#neighbor 2.2.2.2 advertisement-interval 0	Configure advertisement-interval as 0 for fast convergence for VTEP2
(config-router)#address-family l2vpn evpn	Enter into l2vpn EVPN address family mode
(config-router-af)#neighbor 2.2.2.2 activate	Activate 2.2.2.2(VTEP2) into l2vpn evpn address family mode
(config-router-af)#exit-address-family	Exit from l2vpn address family mode
(config-router)#exit	Exit from Router BGP mode and enter into config mode
(config)#commit	Committing the bgp configurations

L2 MAC VRF Configuration:

(config)#mac vrf L2VRF1	Create mac routing/forwarding instance with L2VRF1 name and enter into vrf mode
(config-vrf)#rd 1.1.1.1:1	Assign RD value
(config-vrf)#route-target both 1:1	Assign route-target value for same for import and export. Should be same on all node for L2VRF1
(config-vrf)#exit	Exit from vrf mode
(config)#commit	Committing the vrf configurations

L2 VXLAN configuration:

(config)#nvo vxlan enable	Enable VXLAN
(config)#nvo vxlan vtep-ip-global 1.1.1.1	Configure Source vtep-ip-global configuration - Use loopback ip address
(config)#nvo vxlan id 100 ingress-replication	Configure VXLAN Network identifier without inner-vid-disabled configured for vxlan trunk access port and enter into VXLAN tenant mode

(config-nvo)#vxlan host-reachability-protocol evpn-bgp L2VRF1	Assign vrf for evpn-bgp to carry EVPN route
(config-nvo)#exit	Exit from VXLAN tenant mode and enter into configuration mode.
(config)#commit	Committing the vxlan configurations

VTEP2

Hardware profile and generic configuration:

#configure terminal	Enter Configure mode.
(config)#qos enable	Enable qos
(config)#commit	Committing the configurations

Interface and loopback configuration:

(config)#interface xe23	Enter Interface mode for xe23
(config-if)#switchport	Make it L2 interface
(config-if)#exit	Exit Interface mode and return to Configure mode.
(config)#interface xe14	Enter Interface mode for xe14
(config-if)#ip add 20.20.20.1/24	Configuring the ip address in the network side
(config-if)#exit	Exit Interface mode and return to Configure mode.
(config)#interface lo	Enter Interface mode for lo
(config-if)#ip address 2.2.2.2/32 secondary	Configure loopback ip address as 2.2.2.2 for VTEP2
(config-if)#exit	Exit Interface mode and return to Configure mode.
(config)#commit	Committing the interface configurations

OSPF configuration:

(config)#router ospf 1	Enter into router OSPF mode
(config-router)#ospf router-id 2.2.2.2	Configure router-id as 2.2.2.2 (lo ip address)
(config-router)#network 2.2.2.2/32 area 0.0.0.0	Add 2.2.2.2 (lo ip address) network into area 0
(config-router)#network 20.20.20.0/24 area 0.0.0.0	Add 20.20.20.0(Spine) network into area 0
(config-router)#bfd all-interfaces	Enabling bfd on all ospf interface for fast convergence
(config-router)#exit	Exit Interface mode and return to Configure mode.
(config)#commit	Committing the ospf configurations

BGP configuration:

(config)#router bgp 1	Enter into Router BGP mode
(config-router)#bgp router-id 2.2.2.2	Configure router-id as 2.2.2.2 (lo ip address)
(config-router)#neighbor 1.1.1.1 remote-as 1	Specify a VTEP1 loopback ip address and remote-as defined

VXLAN Trunk Access Port

(config-router)#neighbor 1.1.1.1 update-source lo	Configure update as loopback for VTEP2
(config-router)#neighbor 1.1.1.1 advertisement-interval 0	Configure advertisement-interval as 0 for fast convergence for VTEP1
(config-router)#address-family l2vpn evpn	Enter into l2vpn EVPN address family mode
(config-router-af)#neighbor 1.1.1.1 activate	Activate 1.1.1.1(VTEP1) into l2vpn evpn address family mode
(config-router-af)#exit-address-family	Exit from l2vpn address family mode
(config-router)#exit	Exit from Router BGP mode and enter into config mode
(config)#commit	Committing the bgp configurations

L2 MAC VRF Configuration:

(config)#mac vrf L2VRF1	Create mac routing/forwarding instance with L2VRF1 name and enter into vrf mode
(config-vrf)#rd 2.2.2.2:1	Assign RD value
(config-vrf)#route-target both 1:1	Assign route-target value for same for import and export. Should be same on all node for L2VRF1
(config-vrf)#exit	Exit from vrf mode
(config)#commit	Committing the vrf configurations

L2 VXLAN configuration:

(config)#nvo vxlan enable	Enable VXLAN
(config)#nvo vxlan vtep-ip-global 2.2.2.2	Configure Source vtep-ip-global configuration - Use loopback ip address
(config)#nvo vxlan id 100 ingress-replication	Configure VXLAN Network identifier without inner-vid-disabled configured for vxlan trunk access port and enter into VXLAN tenant mode
(config-nvo)#vxlan host-reachability-protocol evpn-bgp L2VRF1	Assign vrf for evpn-bgp to carry EVPN route
(config-nvo)#exit	Exit from VXLAN tenant mode and enter into configuration mode.
(config)#commit	Committing the vxlan configurations

SPINE

Spine node where all VTEPs are connected.

Generic configuration:

#configure terminal	Enter Configure mode.
(config)#qos enable	Enabling qos
(config)#commit	Committing the configuration

Interface configuration:

(config)#interface xe8	Enter Interface mode for xe8
(config-if)#ip address 10.10.10.2/24	Configure ip address as 10.10.10.2 on network side of VTEP1
(config-if)#exit	Exit Interface mode and return to Configure mode.
(config) interface xe14	Enter into ce5/1 interface mode
(config-if)#ip address 20.20.20.2/24	Configure ip address as 20.20.20.2 on network side of VTEP2
(config-if)#exit	Exit Interface mode and return to Configure mode.
(config) commit	Committing the configuration

OSPF configuration:

(config)#router ospf 1	Enter into router OSPF mode
(config-router)#ospf router-id 3.3.3.3	Configure router-id as 3.3.3.3
(config-router)#network 10.10.10.0/24 area 0.0.0.0	Add 10.10.10.0 (VTEP1) network into area 0
(config-router)#network 20.20.20.0/24 area 0.0.0.0	Add 20.20.20.0 (VTEP2) network into area 0
(config-router)#bfd all-interfaces	Enabling bfd on all ospf interface for fast convergence
(config-if)#exit	Exit Interface mode and return to Configure mode.
(config) commit	Committing the ospf configuration

VxLAN Trunk Access port as default

In VxLAN, most of the use cases demand to carry the complete traffic received on the access interface to another VTEP access-port. Hence this support of accepting all tagged and untagged traffic received on the mapped physical port.

VTEP1

(config)#nvo vxlan access-if port xe7 default	Configuring the vxlan access port as default to receive untagged, single and double tagged traffic
(config-nvo-acc-if)#map vnid 100	Map VXLAN Identified to access-port for VXLAN
(config-nvo-acc-if)#arp-cache disable	Disable arp-cache - mandatory
(config-nvo-acc-if)#nd-cache disable	Disable nd-cache - mandatory
(config-nvo-acc-if)# mac 0000.1111.0001	Configure static mac-only
(config-nvo-acc-if)#exit	Exit from VXLAN access-interface mode and enter into configuration mode
(config)#commit	Committing the vxlan configuration

VTEP2

(config)#nvo vxlan access-if port xe23 default	Configuring the vxlan access port as default to receive untagged, single and double tagged traffic
(config-nvo-acc-if)#map vnid 100	Map VXLAN Identified to access-port for VXLAN
(config-nvo-acc-if)#arp-cache disable	Disable arp-cache - mandatory
(config-nvo-acc-if)#nd-cache disable	Disable nd-cache - mandatory
(config-nvo-acc-if)# mac 0000.2222.0001	Configure static mac-only
(config-nvo-acc-if)#exit	Exit from VXLAN access-interface mode and enter into configuration mode
(config)#commit	Committing the vxlan configuration

Validation

VTEP1

```
VTEP1#sh run nvo vxlan
!
nvo vxlan enable
!
nvo vxlan vtep-ip-global 1.1.1.1
!
nvo vxlan id 100 ingress-replication
  vxlan host-reachability-protocol evpn-bgp L2VRF1
!
nvo vxlan access-if port xe7 default
  map vnid 100
  arp-cache disable
  nd-cache disable
  mac 0000.1111.0001
!
!
```

```
VTEP1#sh nvo vxlan tunnel
VXLAN Network tunnel Entries
Source          Destination      Status           Up/Down         Update
=====
1.1.1.1         2.2.2.2         Installed        00:02:49       00:02:49
```

Total number of entries are 1

```
VTEP1#sh nvo vxlan mac-table
=====
=====
                                VXLAN MAC Entries
=====
=====
VNID      Interface VlanId Vlan-RangeId Inner-VlanId Mac-Addr      VTEP-Ip/ESI
Type          Status   AccessPortDesc
```

```

100      xe7      ----  ----  ----      0000.1111.0001 1.1.1.1
Static Local  -----
100      ----  ----  ----      0000.2222.0001 2.2.2.2
Static Remote -----
100      xe7      ----  ----  ----      b0da.1d10.6496 1.1.1.1
Dynamic Local -----
    
```

Total number of entries are : 3

VTEP1#sh nvo vxlan mac-table hardware

```

=====
=====
    
```

VXLAN MAC Entries

```

=====
=====
    
```

VNID Type	Interface	VlanId Status	Vlan-RangeId Time-out	Inner-VlanId AccessPort	Mac-Addr Desc	VTEP-Ip/ESI
-----------	-----------	---------------	-----------------------	-------------------------	---------------	-------------

100	Static	xe7	----	----	----	0000.1111.0001 1.1.1.1
100	Remote	---	----	----	----	0000.2222.0001 2.2.2.2
100	Dynamic	xe7	----	----	300	b0da.1d10.6496 1.1.1.1

Total number of entries are 3

VTEP1#show nvo vxlan

VXLAN Information

```

=====
    
```

Codes: NW - Network Port
 AC - Access Port
 (u) - Untagged

VNID	VNI-Name	VNI-Type	Type	Interface	ESI	VLAN DF-Status
------	----------	----------	------	-----------	-----	----------------

100	---	L2	NW	----	----	----
1.1.1.1	2.2.2.2					
100	----	--	AC	xe7	---	Single Homed Port ---
----	----					----

Total number of entries are 2

VTEP1#sh nvo vxlan route-count

VXLAN Active route count information

```

=====
    
```

Max route count : 32768
 Active route count: 3

VXLAN Trunk Access Port

VNID	Total	MACONLY	MACIPv4	MACIPv6
100	3	3	0	0

Total number of entries are 1

```
VTEP1#sh nvo vxlan access-if-config
nvo vxlan access-if port xe7 default
map vnid 100
arp-cache disable
nd-cache disable
mac 0000.1111.0001
```

!

```
VTEP1#sh nvo vxlan access-if brief
```

Interface	Vlan	Inner vlan	Ifindex	Vnid	Admin status	Link status
xe7	---	---	500000	100	up	up

Total number of entries are 1

```
VTEP1#sh bgp l2vpn evpn summary
BGP router identifier 1.1.1.1, local AS number 1
BGP table version is 2
1 BGP AS-PATH entries
0 BGP community entries
```

Neighbor PfxRcd	AD	MACIP	V MCAST	AS	MsgRcv ESI	MsgSen PREFIX-ROUTE	TblVer	InQ	OutQ	Up/Down	State/
2.2.2.2			4	1	15	17	2	0	0	00:04:52	
2	0	1	1	0	0						

Total number of neighbors 1

Total number of Established sessions 1

```
VTEP1#sh bgp l2vpn evpn
BGP table version is 2, local router ID is 1.1.1.1
Status codes: s suppressed, d damped, h history, a add-path, * valid, > best, i -
internal,
                l - labeled, S Stale
Origin codes: i - IGP, e - EGP, ? - incomplete
```

[EVPN route type]:[ESI]:[VNID]:[relevent route informantion]

- 1 - Ethernet Auto-discovery Route
- 2 - MAC/IP Route
- 3 - Inclusive Multicast Route
- 4 - Ethernet Segment Route
- 5 - Prefix Route

Network Encap	Next Hop	Metric	LocPrf	Weight	Path	Peer
------------------	----------	--------	--------	--------	------	------

```
RD[1.1.1.1:1] VRF[L2VRF1]:
*> [2]:[0]:[100]:[48,0000:1111:0001]:[0]:[100]
      1.1.1.1          0          100          32768 i -----
VXLAN
* i [2]:[0]:[100]:[48,0000:2222:0001]:[0]:[100]
      2.2.2.2          0          100          0 i 2.2.2.2          VXLAN
*> [2]:[0]:[100]:[48,b0da:1d10:6496]:[0]:[100]
      1.1.1.1          0          100          32768 i -----
VXLAN
*> [3]:[100]:[32,1.1.1.1]
      1.1.1.1          0          100          32768 i -----
VXLAN
* i [3]:[100]:[32,2.2.2.2]
      2.2.2.2          0          100          0 i 2.2.2.2          VXLAN

RD[2.2.2.2:1]
*>i [2]:[0]:[100]:[48,0000:2222:0001]:[0]:[100]
      2.2.2.2          0          100          0 i 2.2.2.2          VXLAN
*>i [3]:[100]:[32,2.2.2.2]
      2.2.2.2          0          100          0 i 2.2.2.2          VXLAN
```

Total number of prefixes 7
VTEP1#sh nvo vxlan arp-cache
VXLAN ARP-CACHE Information

```
=====
```

VNID	Ip-Addr	Mac-Addr	Type	Age-Out	Retries-Left
------	---------	----------	------	---------	--------------

Total number of entries are 0
VTEP1#sh nvo vxlan nd-cache
VXLAN ND-CACHE Information

```
=====
```

VNID	Ip-Addr	Mac-Addr	Type	Age-Out	Retries-Left
------	---------	----------	------	---------	--------------

Total number of entries are 0
VTEP1#

VTEP2

```
VTEP2#sh run nvo vxlan
!
nvo vxlan enable
!
nvo vxlan vtep-ip-global 2.2.2.2
!
nvo vxlan id 100 ingress-replication
  vxlan host-reachability-protocol evpn-bgp L2VRF1
!
```

VXLAN Trunk Access Port

```
nvo vxlan access-if port xe23 default
map vnid 100
arp-cache disable
nd-cache disable
mac 0000.2222.0001
```

!
!

```
VTEP2#sh nvo vxlan tunnel
VXLAN Network tunnel Entries
```

Source	Destination	Status	Up/Down	Update
2.2.2.2	1.1.1.1	Installed	00:05:47	00:05:47

Total number of entries are 1

```
VTEP2#sh nvo vxlan
```

```
VXLAN Information
```

=====

```
Codes: NW - Network Port
       AC - Access Port
       (u) - Untagged
```

VNID Src-Addr	VNI-Name Dst-Addr	VNI-Type	Type	Interface	ESI	VLAN	DF-Status
100	----	L2	NW	----	----	----	----
2.2.2.2	1.1.1.1						
100	----	--	AC	xe23	---	Single Homed Port	---
----	----						

Total number of entries are 2

```
VTEP2#sh nvo vxlan mac-table
```

=====

VXLAN MAC Entries

VNID Type	Interface	VlanId Status	Vlan-RangeId AccessPortDesc	Inner-VlanId	Mac-Addr	VTEP-Ip/ESI
100	----	----	----		0000.1111.0001	1.1.1.1
Static Remote		-----	-----			
100	xe23	----	----	----	0000.2222.0001	2.2.2.2
Static Local		-----	-----			
100	----	----	----		b0da.1d10.6496	1.1.1.1
Dynamic Remote		-----	-----			

Total number of entries are : 3

```
VTEP2#sh nvo vxlan mac-table hardware
```


VXLAN MAC Entries

VNID Type	Interface	VlanId Status	Vlan-RangeId Time-out	Inner-VlanId AccessPortDesc	Mac-Addr	VTEP-Ip/ESI
100 Remote	---	----	----	0000.1111.0001	1.1.1.1	
100 Static Local	xe23	----	----	0000.2222.0001	2.2.2.2	
100 Remote	---	----	----	b0da.1d10.6496	1.1.1.1	

Total number of entries are 3
VTEP2#sh nvo vxlan route-count
VXLAN Active route count information
=====

Max route count : 32768
Active route count: 3

VNID	Total	MACONLY	MACIPv4	MACIPv6
100	3	3	0	0

Total number of entries are 1
VTEP2#sh nvo vxlan access-if br

Interface	Vlan	Inner vlan	Ifindex	Vnid	Admin status	Link status
xe23	---	---	500000	100	up	up

Total number of entries are 1
VTEP2#sh nvo vxlan access-if-config
nvo vxlan access-if port xe23 default
map vnid 100
arp-cache disable
nd-cache disable
mac 0000.2222.0001
!

VTEP2#sh nvo vxlan arp-cache
VXLAN ARP-CACHE Information
=====

VNID	Ip-Addr	Mac-Addr	Type	Age-Out	Retries-Left
------	---------	----------	------	---------	--------------

Total number of entries are 0
VTEP2#sh nvo vxlan nd-cache

VXLAN Trunk Access Port

VXLAN ND-CACHE Information

=====

VNID	Ip-Addr	Mac-Addr	Type	Age-Out
------	---------	----------	------	---------

Retries-Left

Total number of entries are 0

VTEP2#

VTEP2#sh bgp l2vpn evpn summary

BGP router identifier 2.2.2.2, local AS number 1

BGP table version is 2

1 BGP AS-PATH entries

0 BGP community entries

Neighbor	V	AS	MsgRcv	MsgSen	TblVer	InQ	OutQ	Up/Down	State/
PfxRcd	AD	MACIP	MCAST	ESI	PREFIX-ROUTE				
1.1.1.1		4	1	27		1	0	0 00:09:54	
3	0	2	1	0	0				

Total number of neighbors 1

Total number of Established sessions 1

VTEP2#sh bgp l2vpn evpn

BGP table version is 2, local router ID is 2.2.2.2

Status codes: s suppressed, d damped, h history, a add-path, * valid, > best, i - internal,

l - labeled, S Stale

Origin codes: i - IGP, e - EGP, ? - incomplete

[EVPN route type]:[ESI]:[VNID]:[relevent route informantion]

1 - Ethernet Auto-discovery Route

2 - MAC/IP Route

3 - Inclusive Multicast Route

4 - Ethernet Segment Route

5 - Prefix Route

Network	Next Hop	Metric	LocPrf	Weight	Path	Peer
RD[1.1.1.1:1]						
*>i [2]:[0]:[100]:[48,0000:1111:0001]:[0]:[100]	1.1.1.1	0	100	0	i 1.1.1.1	VXLAN
*>i [2]:[0]:[100]:[48,b0da:1d10:6496]:[0]:[100]	1.1.1.1	0	100	0	i 1.1.1.1	VXLAN
*>i [3]:[100]:[32,1.1.1.1]	1.1.1.1	0	100	0	i 1.1.1.1	VXLAN
RD[2.2.2.2:1] VRF[L2VRF1]:						
* i [2]:[0]:[100]:[48,0000:1111:0001]:[0]:[100]	1.1.1.1	0	100	0	i 1.1.1.1	VXLAN
*> [2]:[0]:[100]:[48,0000:2222:0001]:[0]:[100]						

```

                2.2.2.2                0          100          32768  i  -----
VXLAN
* i  [2]:[0]:[100]:[48,b0da:1d10:6496]:[0]:[100]
                1.1.1.1                0          100          0      i  1.1.1.1          VXLAN
* i  [3]:[100]:[32,1.1.1.1]
                1.1.1.1                0          100          0      i  1.1.1.1          VXLAN
*>  [3]:[100]:[32,2.2.2.2]
                2.2.2.2                0          100          32768  i  -----
VXLAN

Total number of prefixes 8
VTEP2#

```

VxLAN Trunk access port with vlan range

When access port with a specific vlan range configured, all the traffic in that specific range are accepted and forwarded.

VTEP1

(config)#nvo vxlan access-if port-vlan xe7 2-100	Configuring the vxlan access port with vlan range 2-100 where traffic in the vlan range 2-100 are accepted
(config-nvo-acc-if)#map vnid 100	Map VXLAN Identified to access-port for VXLAN
(config-nvo-acc-if)#arp-cache disable	Disable arp-cache - mandatory
(config-nvo-acc-if)#nd-cache disable	Disable nd-cache - mandatory
(config-nvo-acc-if)# mac 0000.1111.0001	Configure static mac-only
(config-nvo-acc-if)#exit	Exit from VXLAN access-interface mode and enter into configuration mode
(config)#commit	Committing the vxlan configuration

VTEP2

(config)#nvo vxlan access-if port-vlan xe23 2-100	Configuring the vxlan access port with vlan range 2-100 where traffic in the vlan range 2-100 are accepted
(config-nvo-acc-if)#map vnid 100	Map VXLAN Identified to access-port for VXLAN
(config-nvo-acc-if)#arp-cache disable	Disable arp-cache - mandatory
(config-nvo-acc-if)#nd-cache disable	Disable nd-cache - mandatory
(config-nvo-acc-if)# mac 0000.2222.0001	Configure static mac-only
(config-nvo-acc-if)#exit	Exit from VXLAN access-interface mode and enter into configuration mode
(config)#commit	Committing the vxlan configuration

Validations

VTEP1

```
VTEP1#sh run nvo vx
```

VXLAN Trunk Access Port

```
!  
nvo vxlan enable  
!  
nvo vxlan vtep-ip-global 1.1.1.1  
!  
nvo vxlan id 100 ingress-replication  
  vxlan host-reachability-protocol evpn-bgp L2VRF1  
!  
nvo vxlan access-if port-vlan xe7 2-100  
  map vnid 100  
  arp-cache disable  
  nd-cache disable  
  mac 0000.1111.0001
```

VTEP1#

VTEP1#sh nvo vxlan tunnel summary

Total number of entries: 1 [Installed: 1, Resolved: 0, Unresolved: 0]

Total number of entries are 1

VTEP1#sh nvo vxlan tunnel

VXLAN Network tunnel Entries

Source	Destination	Status	Up/Down	Update
1.1.1.1	2.2.2.2	Installed	00:20:10	00:20:10

Total number of entries are 1

VTEP1#sh nvo vx

VXLAN Information

=====

Codes: NW - Network Port
AC - Access Port
(u) - Untagged

VNID	VNI-Name	VNI-Type	Type	Interface	ESI	VLAN	DF-Status
Src-Addr	Dst-Addr						
100	----	L2	NW	----	----	----	----
1.1.1.1	2.2.2.2						
100	----	--	AC	xe7	--- Single Homed Port ---	2	----
----	----						

Total number of entries are 2

VTEP1#sh nvo vxlan mac-table

=====

VXLAN MAC Entries

=====

VNID Type	Interface	VlanId Status	Vlan-RangeId AccessPortDesc	Inner-VlanId	Mac-Addr	VTEP-Ip/ESI
100 Static Local	xe7	-----	2-100	----	0000.1111.0001	1.1.1.1
100 Static Remote		-----			0000.2222.0001	2.2.2.2
100 Dynamic Local	xe7	-----	2-100	----	b0da.1d10.6496	1.1.1.1

Total number of entries are : 3

VTEP1#sh nvo vxlan mac-table hardware

```
=====
VXLAN MAC Entries
=====
```

VNID Type	Interface	VlanId Status	Vlan-RangeId Time-out	Inner-VlanId AccessPortDesc	Mac-Addr	VTEP-Ip/ESI
100 Static Local	xe7	-----	2-100	----	0000.1111.0001	1.1.1.1
100 Remote		---			0000.2222.0001	2.2.2.2
100 Dynamic Local	xe7	-----	2-100	----	b0da.1d10.6496	1.1.1.1

Total number of entries are 3

VTEP1#sh nvo vxlan arp-cache

VXLAN ARP-CACHE Information

VNID	Ip-Addr	Mac-Addr	Type	Age-Out	Retries-Left
------	---------	----------	------	---------	--------------

Total number of entries are 0

VTEP1#sh nvo vxlan nd-cache

VXLAN ND-CACHE Information

VNID	Ip-Addr	Mac-Addr	Type	Age-Out
------	---------	----------	------	---------

Total number of entries are 0

VTEP1#sh nvo vxlan access-if-config

```
nvo vxlan access-if port-vlan xe7 2-100
map vnid 100
arp-cache disable
nd-cache disable
mac 0000.1111.0001
!
```

VXLAN Trunk Access Port

VTEP1#sh nvo vxlan access-if brief

Interface	Vlan	Inner vlan	Ifindex	Vnid	Admin status	Link status
xe7	2	---	500000	100	up	up

Total number of entries are 1

VTEP1#

VTEP1#sh nvo vxlan route-count

VXLAN Active route count information

=====

Max route count : 32768

Active route count: 3

VNID	Total	MACONLY	MACIPv4	MACIPv6
100	3	3	0	0

Total number of entries are 1

VTEP1#sh bgp l2vpn evpn summary

BGP router identifier 1.1.1.1, local AS number 1

BGP table version is 5

1 BGP AS-PATH entries

0 BGP community entries

Neighbor PfxRcd	AD	MACIP	V MCAST	AS	MsgRcv ESI	MsgSen PREFIX-ROUTE	TblVer	InQ	OutQ	Up/Down	State/
2.2.2.2			4	1	58	61	5	0	0	00:22:05	
2	0	1	1	0	0						

Total number of neighbors 1

Total number of Established sessions 1

VTEP1#sh bgp l2vpn evpn

BGP table version is 5, local router ID is 1.1.1.1

Status codes: s suppressed, d damped, h history, a add-path, * valid, > best, i - internal,

l - labeled, S Stale

Origin codes: i - IGP, e - EGP, ? - incomplete

[EVPN route type]:[ESI]:[VNID]:[relevent route informantion]

1 - Ethernet Auto-discovery Route

2 - MAC/IP Route

3 - Inclusive Multicast Route

4 - Ethernet Segment Route

5 - Prefix Route

Network Encap	Next Hop	Metric	LocPrf	Weight	Path	Peer
------------------	----------	--------	--------	--------	------	------

```
RD[1.1.1.1:1] VRF[L2VRF1]:
*> [2]:[0]:[100]:[48,0000:1111:0001]:[0]:[100]
      1.1.1.1          0          100          32768 i -----
VXLAN
* i [2]:[0]:[100]:[48,0000:2222:0001]:[0]:[100]
      2.2.2.2          0          100          0 i 2.2.2.2          VXLAN
*> [2]:[0]:[100]:[48,b0da:1d10:6496]:[0]:[100]
      1.1.1.1          0          100          32768 i -----
VXLAN
*> [3]:[100]:[32,1.1.1.1]
      1.1.1.1          0          100          32768 i -----
VXLAN
* i [3]:[100]:[32,2.2.2.2]
      2.2.2.2          0          100          0 i 2.2.2.2          VXLAN

RD[2.2.2.2:1]
*>i [2]:[0]:[100]:[48,0000:2222:0001]:[0]:[100]
      2.2.2.2          0          100          0 i 2.2.2.2          VXLAN
*>i [3]:[100]:[32,2.2.2.2]
      2.2.2.2          0          100          0 i 2.2.2.2          VXLAN

Total number of prefixes 7
```

VTEP2

```
VTEP2#sh run nvo vxlan
!
nvo vxlan enable
!
nvo vxlan vtep-ip-global 2.2.2.2
!
nvo vxlan id 100 ingress-replication
  vxlan host-reachability-protocol evpn-bgp L2VRF1
!
nvo vxlan access-if port-vlan xe23 2-100
  map vnid 100
  arp-cache disable
  nd-cache disable
  mac 0000.2222.0001
!
VTEP2#sh nvo vxlan tunnel
VXLAN Network tunnel Entries
Source          Destination      Status           Up/Down          Update
=====
2.2.2.2         1.1.1.1         Installed        00:19:28        00:19:28

Total number of entries are 1
VTEP2#sh nvo vxlan tunnel
```

VXLAN Trunk Access Port

VXLAN Network tunnel Entries

Source	Destination	Status	Up/Down	Update
2.2.2.2	1.1.1.1	Installed	00:21:06	00:21:06

Total number of entries are 1

VTEP2#sh nvo vxlan

VXLAN Information

=====

Codes: NW - Network Port
 AC - Access Port
 (u) - Untagged

VNID	VNI-Name	VNI-Type	Type	Interface	ESI	VLAN	DF-Status
Src-Addr	Dst-Addr						
100	----	L2	NW	----	----	----	----
2.2.2.2	1.1.1.1						
100	----	--	AC	xe23	---	Single Homed Port	---
----	----					2	----

Total number of entries are 2

VTEP2#sh nvo vxlan mac-table

=====

VXLAN MAC Entries

=====

VNID	Interface	VlanId	Vlan-RangeId	Inner-VlanId	Mac-Addr	VTEP-Ip/ESI
Type	Status	AccessPortDesc				
100	----	----	----		0000.1111.0001	1.1.1.1
Static Remote	-----	-----	-----			
100	xe23	-----	2-100	----	0000.2222.0001	2.2.2.2
Static Local	-----	-----	-----			
100	----	----	----		b0da.1d10.6496	1.1.1.1
Dynamic Remote	-----	-----	-----			

Total number of entries are : 3

VTEP2#sh nvo vxlan mac-table hardware

=====

VXLAN MAC Entries

=====

VNID	Interface	VlanId	Vlan-RangeId	Inner-VlanId	Mac-Addr	VTEP-Ip/ESI
Type	Status	Time-out	AccessPortDesc			


```

100      ---      ----      ----      0000.1111.0001 1.1.1.1
Remote
100      xe23      -----      2-100 ----      0000.2222.0001 2.2.2.2
Static Local
100      ---      ----      ----      b0da.1d10.6496 1.1.1.1
Remote

```

```

Total number of entries are 3
VTEP2#sh nvo vxlan route-count
VXLAN Active route count information
=====
Max route count   : 32768
Active route count: 3

```

```

-----
VNID      Total      MACONLY  MACIPv4  MACIPv6
-----
100       3          3         0         0

```

```

Total number of entries are 1
VTEP2#sh nvo vxlan arp-cache
VXLAN ARP-CACHE Information
=====

```

```

VNID      Ip-Addr      Mac-Addr      Type      Age-Out      Retries-Left
-----

```

```

Total number of entries are 0
VTEP2#sh nvo vxlan nd-cache
VXLAN ND-CACHE Information
=====

```

```

VNID      Ip-Addr      Mac-Addr      Type      Age-Out
Retries-Left
-----

```

```

Total number of entries are 0
VTEP2#
VTEP2#
VTEP2#sh nvo vxlan access-if brief

```

```

          Inner      Admin      Link
Interface Vlan  vlan  Ifindex  Vnid      status      status
-----
xe23      2     ---   500000   100      up          up

```

```

Total number of entries are 1
VTEP2#sh nvo vxlan access-if-config
nvo vxlan access-if port-vlan xe23 2-100
map vnid 100
arp-cache disable
nd-cache disable
mac 0000.2222.0001
!

```

VXLAN Trunk Access Port

```
VTEP2#sh bgp l2vpn evpn summary
BGP router identifier 2.2.2.2, local AS number 1
BGP table version is 4
1 BGP AS-PATH entries
0 BGP community entries
```

Neighbor PfxRcd	AD	MACIP	V MCAST	AS	MsgRcv ESI	MsgSen PREFIX-ROUTE	TblVer	InQ	OutQ	Up/Down	State/
1.1.1.1			4	1	59	57	3	0	0	00:21:48	
3	0	2	1	0	0						

Total number of neighbors 1

Total number of Established sessions 1

```
VTEP2#sh bgp l2vpn evpn
BGP table version is 4, local router ID is 2.2.2.2
Status codes: s suppressed, d damped, h history, a add-path, * valid, > best, i -
internal,
                l - labeled, S Stale
Origin codes: i - IGP, e - EGP, ? - incomplete
```

```
[EVPN route type]:[ESI]:[VNID]:[relevent route informantion]
1 - Ethernet Auto-discovery Route
2 - MAC/IP Route
3 - Inclusive Multicast Route
4 - Ethernet Segment Route
5 - Prefix Route
```

Network Encap	Next Hop	Metric	LocPrf	Weight	Path	Peer
RD[1.1.1.1:1]						
*>i [2]:[0]:[100]:[48,0000:1111:0001]:[0]:[100]	1.1.1.1	0	100	0	i 1.1.1.1	VXLAN
*>i [2]:[0]:[100]:[48,b0da:1d10:6496]:[0]:[100]	1.1.1.1	0	100	0	i 1.1.1.1	VXLAN
*>i [3]:[100]:[32,1.1.1.1]	1.1.1.1	0	100	0	i 1.1.1.1	VXLAN
RD[2.2.2.2:1] VRF[L2VRF1]:						
* i [2]:[0]:[100]:[48,0000:1111:0001]:[0]:[100]	1.1.1.1	0	100	0	i 1.1.1.1	VXLAN
*> [2]:[0]:[100]:[48,0000:2222:0001]:[0]:[100]	2.2.2.2	0	100	32768	i -----	
VXLAN						
* i [2]:[0]:[100]:[48,b0da:1d10:6496]:[0]:[100]	1.1.1.1	0	100	0	i 1.1.1.1	VXLAN
* i [3]:[100]:[32,1.1.1.1]	1.1.1.1	0	100	0	i 1.1.1.1	VXLAN
*> [3]:[100]:[32,2.2.2.2]	2.2.2.2	0	100	32768	i -----	
VXLAN						

Total number of prefixes 8
VTEP2#

CHAPTER 9 VXLAN Tunnel Over SVI

This chapter contains the configurations for VXLAN Tunnel Over SVI.

Overview

VxLAN EVPN solution is envisioned to simplify the topology and configurations in Data Centers (DC). In Data Centers, CLOS topology was used, which makes network side pure L3 and uses EBGp as IGP.

VxLAN solution is required for Service Providers (SP) as well to run few of the services or all services in their network over VxLAN. When they choose to run few services over VxLAN, then on the network side there will be a need to run VxLAN over SVI.

Topology

The Topology shown below contains the 3 VTEPS i.e VTEP1 ,VTEP2 and VTEP3 and 3 core nodes P1 ,P2 and P3. Vxlan tunnel will be established between VTEPS over SVI interfaces. OSPF as IGP will be running between VTEPS and the core node to provide the end to end connectivity. Switch is connected between host and VTEP-1, VTEP-2 via dynamic LAG.

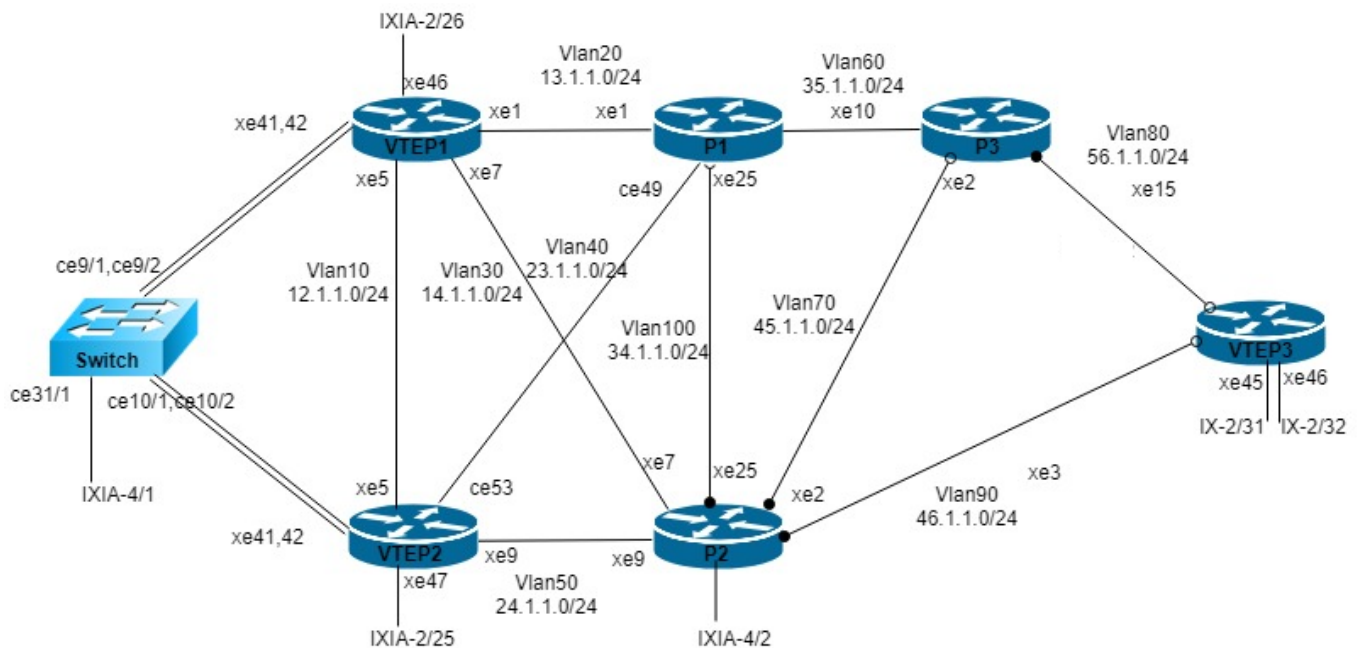


Figure 9-10: VXLAN over SVI

RTR1/VTEP1

VTEP1#configure terminal	Enter configuration terminal
VTEP1(config)#hostname VTEP1	Configure hostname
VTEP1(config)#mac vrf vrf1	Configure MAC vrf vrf1
VTEP1(config-vrf)#rd 1.1.1.1:11	Configure RD for vrf1

VXLAN Tunnel Over SVI

VTEP1(config-vrf)#route-target both 10.10.10.10:100	Configure RT for vrf1
VTEP1(config-vrf)#mac vrf vrf2	Configure MAC vrf vrf2
VTEP1(config-vrf)#rd 1.1.1.1:12	Configure RD for vrf2
VTEP1(config-vrf)#route-target both 10.10.10.10:102	Configure RT for vrf2
VTEP1(config-vrf)#bfd interval 3 minrx 3 multiplier 3	Configure BFD interval globally
VTEP1(config)#evpn vxlan multihoming enable	Enable EVPN VXLAN multihoming
VTEP1(config)#nvo vxlan enable	Enable VXLAN
VTEP1(config)#qos enable	Enable qos
VTEP1(config)#qos statistics	Enable qos statistics
VTEP1(config)#bridge 1 protocol ieee vlan-bridge	Configure IEEE VLAN bridge
VTEP1(config)#no bridge 1 spanning-tree enable	Disable spanning tree in bridge 1 globally
VTEP1(config)#no igmp snooping	Disable igmp snooping messages globally
VTEP1(config)#vlan database	Enter into the VLAN database
VTEP1(config-vlan)#vlan 10-200 bridge 1 state enable	Configure VLAN 10-200 and associate with bridge 1
VTEP1(config-vlan)#vlan 4000 bridge 1 state enable	Configure VLAN 4000 and associate with bridge 1
VTEP1(config-vlan)#interface po1	Enter interface mode
VTEP1(config-if)#switchport	Set the interface as Layer2 port
VTEP1(config-if)#load-interval 30	Configure load period in multiple of 30 seconds
VTEP1(config-if)#evpn multi-homed system-mac aa22.3344.5566	Configure EVPN system-MAC
VTEP1(config-if)#interface lo	Enter lo interface mode
VTEP1(config-if)#ip address 1.1.1.1/32 secondary	Assign loopback IP
VTEP1(config-if)#interface vlan1.10	Specify interface VLAN1.10 to be configured.
VTEP1(config-if)#ip address 12.1.1.1/24	Assign IP address
VTEP1(config-if)#ip ospf cost 1	Change OSPF cost of the link
VTEP1(config-if)#interface vlan1.20	Specify interface VLAN1.20 to be configured.
VTEP1(config-if)#ip address 13.1.1.1/24	Assign IP address
VTEP1(config-if)#ip ospf cost 1	Change OSPF cost of the link
VTEP1(config-if)#interface vlan1.30	Specify interface VLAN1.30 to be configured.
VTEP1(config-if)#ip address 14.1.1.1/24	Assign IP address
VTEP1(config-if)#ip ospf cost 1	Change OSPF cost of the link
VTEP1(config-if)#interface xe1	Enter interface mode
VTEP1(config-if)#switchport	Set the interface as Layer2 port
VTEP1(config-if)#bridge-group 1 spanning-tree disable	Associate the interface with bridge group 1 and disable spanning tree
VTEP1(config-if)#switchport mode trunk	Set the switching characteristics of this interface to trunk mode.

VTEP1(config-if)#switchport trunk allowed vlan add 20,29	Enable VLAN's allowed on this interface.
VTEP1(config-if)#switchport trunk native vlan 29	Configure native VLAN
VTEP1(config-if)#load-interval 30	Configure load period in multiple of 30 seconds
VTEP1(config-if)#spanning-tree edgeport	Set the port as an edge-port to enable rapid transitions
VTEP1(config-if)#interface xe5	Enter interface mode
VTEP1(config-if)#switchport	Set the interface as Layer2 port
VTEP1(config-if)#bridge-group 1 spanning-tree disable	Associate the interface with bridge group 1 and disable spanning tree
VTEP1(config-if)#switchport mode trunk	Set the switching characteristics of this interface to trunk mode.
VTEP1(config-if)#switchport trunk allowed vlan add 10,19	Enable VLAN's allowed on this interface.
VTEP1(config-if)#switchport trunk native vlan 19	Configure native VLAN
VTEP1(config-if)#load-interval 30	Configure load period in multiple of 30 seconds
VTEP1(config-if)#spanning-tree edgeport	Set the port as an edge-port to enable rapid transitions
VTEP1(config-if)#interface xe7	Enter interface mode
VTEP1(config-if)#switchport	Set the interface as Layer2 port
VTEP1(config-if)#bridge-group 1 spanning-tree disable	Associate the interface with bridge group 1 and disable spanning tree
VTEP1(config-if)#switchport mode trunk	Set the switching characteristics of this interface to trunk mode.
VTEP1(config-if)#switchport trunk allowed vlan add 30,39	Enable VLAN's allowed on this interface.
VTEP1(config-if)#switchport trunk native vlan 39	Configure native VLAN
VTEP1(config-if)#load-interval 30	Configure load period in multiple of 30 seconds
VTEP1(config-if)#spanning-tree edgeport	Set the port as an edge-port to enable rapid transitions
VTEP1(config-if)#interface xe41	Enter interface mode
VTEP1(config-if)#channel-group 1 mode active	Map this interface to po1
VTEP1(config-if)#interface xe42	Enter interface mode
VTEP1(config-if)#channel-group 1 mode active	Map this interface to po1
VTEP1(config-if)#interface xe46	Enter interface mode
VTEP1(config-if)#switchport	Map this interface to po1
VTEP1(config-if)#router ospf 1	Enter OSPF configuration mode
VTEP1(config-router)#ospf router-id 1.1.1.1	Configure OSPF router id
VTEP1(config-router)#bfd all-interfaces	Enable BFD in all OSPF interfaces
VTEP1(config-router)#network 1.1.1.1/32 area 0.0.0.0	Define the Network on which OSPF runs and associate the area ID (area 0) with the interface.
VTEP1(config-router)#network 12.1.1.0/24 area 0.0.0.0	Define the Network on which OSPF runs and associate the area ID (area 0) with the interface.
VTEP1(config-router)#network 13.1.1.0/24 area 0.0.0.0	Define the Network on which OSPF runs and associate the area ID (area 0) with the interface.

VXLAN Tunnel Over SVI

VTEP1(config-router)#network 14.1.1.0/24 area 0.0.0.0	Define the Network on which OSPF runs and associate the area ID (area 0) with the interface.
VTEP1(config-router)#router bgp 100	Enter Router BGP mode and define the AS number 100.
VTEP1(config-router)#address-family ipv4 unicast	Enter address-family IPv4 unicast mode
VTEP1(config-router)#network 1.1.1.1/32	Add the lo network to BGP route
VTEP1(config-router-af)#neighbor 2.2.2.2 activate	Activate neighbors
VTEP1(config-router-af)#neighbor 6.6.6.6 activate	Activate neighbors
VTEP1(config-router-af)#exit-address-family	Exit address-family mode.
VTEP1(config-router)#neighbor 2.2.2.2 remote-as 100	Configure BGP remote-as 100 with neighbor IP
VTEP1(config-router)#neighbor 2.2.2.2 update-source lo	Define BGP neighbors, to update the source routes with lo
VTEP1(config-router)#neighbor 2.2.2.2 advertisement-interval 0	Configure advertisement-interval as 0 for fast convergence for VTEP2
VTEP1(config-router)#neighbor 6.6.6.6 remote-as 100	Configure BGP remote-as 100 with neighbor IP
VTEP1(config-router)#neighbor 6.6.6.6 update-source lo	Define BGP neighbors, to update the source routes with lo
VTEP1(config-router)#neighbor 6.6.6.6 advertisement-interval 0	Configure advertisement-interval as 0 for fast convergence for VTEP3
VTEP1(config-router)#address-family l2vpn evpn	Enter in to BGP L2VPN EVPN address-family
VTEP1(config-router-af)#neighbor 2.2.2.2 activate	Activate neighbors
VTEP1(config-router-af)#neighbor 6.6.6.6 activate	Activate neighbors
VTEP1(config-router-af)#exit-address-family	Exit from BGP L2VPN EVPN address-family
VTEP1(config-router)#nvo vxlan vtep-ip- global 1.1.1.1	Configure VXLAN global IP
VTEP1(config)#nvo vxlan id 1 ingress- replication inner-vid-disabled	Create VNID 1
VTEP1(config-nvo)#vxlan host-reachability- protocol evpn-bgp vrf1	Associate VNID with EVPN and vrf1
VTEP1(config-nvo)#nvo vxlan id 1000 ingress- replication inner-vid-disabled	Create VNID 1000
VTEP1(config-nvo)#vxlan host-reachability- protocol evpn-bgp vrf2	Associate VNID with EVPN and vrf2
VTEP1(config-nvo-acc-if)#nvo vxlan access-if port-vlan pol 2000	Create VXLAN access port port-vlan
VTEP1(config-nvo-acc-if)#no shutdown	Unshut the access interface
VTEP1(config-nvo-acc-if)#map vnid 1000	Map the VNID to access-if
VTEP1(config-nvo)#nvo vxlan access-if port xe46	Create VXLAN access port
VTEP1(config-nvo-acc-if)#no shutdown	Unshut the access interface
VTEP1(config-nvo-acc-if)#map vnid 1	Map the VNID to access-if

VTEP1(config-nvo-acc-if)#nvo vxlan access-if port-vlan pol 1000	Create VXLAN access port port-vlan
VTEP1(config-nvo-acc-if)#no shutdown	Unshut the access interface
VTEP1(config-nvo-acc-if)#map vnid 1	Map the VNID to access-if
VTEP1(config-nvo-acc-if)#mac 0000.1111.1111 ip 100.1.1.100	Configure static MAC IP
VTEP1(config-nvo-acc-if)#mac 0000.1111.1112	Configure static MAC
VTEP1(config-nvo-acc-if)#mac 0000.1111.1113	Configure static MAC
VTEP1(config-nvo-acc-if)#mac 0000.1111.1114	Configure static MAC
VTEP1(config-nvo-acc-if)#mac 0000.1111.1115	Configure static MAC
VTEP1(config-nvo-acc-if)#commit	Commit the candidate configuration to the running configuration

VTEP2

VTEP2#configure terminal	Enter configuration terminal
VTEP2(config)#hostname VTEP2	Configure hostname
VTEP2(config)#mac vrf vrf1	Configure MAC VRF vrf1
VTEP2(config-vrf)#rd 2.2.2.2:11	Configure RD for vrf1
VTEP2(config-vrf)#route-target both 10.10.10.10:100	Configure RT for vrf1
VTEP2(config-vrf)#mac vrf vrf2	Configure MAC VRF vrf2
VTEP2(config-vrf)#rd 2.2.2.2:12	Configure RD for vrf2
VTEP2(config-vrf)#route-target both 10.10.10.10:102	Configure RT for vrf2
VTEP2(config)#nvo vxlan enable	Enable VXLAN
VTEP2(config)#evpn vxlan multihoming enable	Enable EVPN VXLAN multihoming
VTEP2(config)#qos enable	Enable QOS
VTEP2(config)#qos statistics	Enable QOS statistics
VTEP2(config)#bridge 1 protocol ieee vlan-bridge	Configure IEEE VLAN bridge
VTEP2(config)#no bridge 1 spanning-tree enable	Disable spanning tree in bridge 1 globally
VTEP2(config)#vlan database	Enter into the VLAN database
VTEP2(config-vlan)#vlan 10-200 bridge 1 state enable	Configure VLAN 10-200 and associate with bridge 1
VTEP2(config-vlan)#interface po1	Enter interface mode
VTEP2(config-if)#switchport	Set the interface as Layer2 port
VTEP2(config-if)#load-interval 30	Configure load period in multiple of 30 seconds
VTEP2(config-if)#evpn multi-homed system-mac aa22.3344.5566	Configure EVPN system-MAC
VTEP2(config-if)#interface lo	Enter interface mode
VTEP2(config-if)#ip address 2.2.2.2/32 secondary	Configure loopback IP
VTEP2(config-if)#interface vlan1.10	Specify interface VLAN1.10 to be configured.

VXLAN Tunnel Over SVI

VTEP2(config-if)#ip address 12.1.1.2/24	Assign IP address
VTEP2(config-if)#interface vlan1.40	Specify interface VLAN1.40 to be configured.
VTEP2(config-if)#ip address 23.1.1.1/24	Assign IP address
VTEP2(config-if)#ip ospf cost 1	Change OSPF cost of the link
VTEP2(config-if)#interface vlan1.50	Specify interface VLAN1.50 to be configured.
VTEP2(config-if)#ip address 24.1.1.1/24	Assign IP address
VTEP2(config-if)#interface ce53	Enter interface mode
VTEP2(config-if)#switchport	Set the interface as Layer2 port
VTEP2(config-if)#bridge-group 1 spanning-tree disable	Associate the interface with bridge group 1 and disable spanning tree
VTEP2(config-if)#switchport mode trunk	Set the switching characteristics of this interface to trunk mode.
VTEP2(config-if)#switchport trunk allowed vlan add 40,49	Enable VLAN's allowed on this interface.
VTEP2(config-if)#switchport trunk native vlan 49	Configure native VLAN
VTEP2(config-if)#load-interval 30	Configure load period in multiple of 30 seconds
VTEP2(config-if)#spanning-tree edgeport	Set the port as an edge-port to enable rapid transitions
VTEP2(config-if)#interface xe5	Enter interface mode
VTEP2(config-if)#switchport	Set the interface as Layer2 port
VTEP2(config-if)#bridge-group 1 spanningtree disable	Associate the interface with bridge group 1 and disable spanning tree
VTEP2(config-if)#switchport mode trunk	Set the switching characteristics of this interface to trunk mode
VTEP2(config-if)#switchport trunk allowed vlan add 10,19	Enable VLAN's allowed on this interface
VTEP2(config-if)#switchport trunk native vlan 19	Configure native VLAN
VTEP2(config-if)#load-interval 30	Configure load period in multiple of 30 seconds
VTEP2(config-if)#spanning-tree edgeport	Set the port as an edge-port to enable rapid transitions
VTEP2(config-if)#interface xe9	Enter interface mode
VTEP2(config-if)#switchport	Set the interface as Layer2 port
VTEP2(config-if)#bridge-group 1 spanning-tree disable	Associate the interface with bridge group 1 and disable spanning tree
VTEP2(config-if)#switchport mode trunk	Set the switching characteristics of this interface to trunk mode.
VTEP2(config-if)#switchport trunk allowed vlan add 50,59	Enable VLAN's allowed on this interface.
VTEP2(config-if)#switchport trunk native vlan 59	Configure native VLAN
VTEP2(config-if)#load-interval 30	Configure load period in multiple of 30 seconds
VTEP2(config-if)#spanning-tree edgeport	Set the port as an edge-port to enable rapid transitions
VTEP2(config-if)#interface xe41	Enter interface mode
VTEP2(config-if)#channel-group 1 mode active	Map the interface to po1
VTEP2(config-if)#interface xe42	Enter interface mode

VTEP2(config-if)#channel-group 1 mode active	Map the interface to po1
VTEP2(config-if)#interface xe47	Enter interface mode
VTEP2(config-if)#switchport	Set the interface as Layer2 port
VTEP2(config-if)#router ospf 1	Enter OSPF configuration mode
VTEP2(config-router)#ospf router-id 2.2.2.2	Configure OSPF router id
VTEP2(config-router)#network 2.2.2.2/32 area 0.0.0.0	Enable BFD in all ospf interfaces
VTEP2(config-router)#network 12.1.1.0/24 area 0.0.0.0	Define the Network on which OSPF runs and associate the area ID (area 0) with the interface.
VTEP2(config-router)#network 23.1.1.0/24 area 0.0.0.0	Define the Network on which OSPF runs and associate the area ID (area 0) with the interface.
VTEP2(config-router)#network 24.1.1.0/24 area 0.0.0.0	Define the Network on which OSPF runs and associate the area ID (area 0) with the interface.
VTEP2(config-router)#network 25.1.1.0/24 area 0.0.0.0	Define the Network on which OSPF runs and associate the area ID (area 0) with the interface.
VTEP2(config-router)#router bgp 100	Enter Router BGP mode and define the AS number 100.
VTEP2(config-router)#address-family ipv4 unicast	Enter address-family IPv4 unicast mode
VTEP2(config-router)#network 2.2.2.2/32	Add the lo network to BGP route
VTEP2(config-router-af)#neighbor 1.1.1.1 activate	Activate neighbors
VTEP2(config-router-af)#neighbor 6.6.6.6 activate	Activate neighbors
VTEP2(config-router-af)#exit-address-family	Exit address-family mode.
VTEP2(config-router)#neighbor 1.1.1.1 remote-as 100	Configure BGP remote-as 100 with neighbor IP
(config-router)#neighbor 1.1.1.1 advertisement-interval 0	Configure advertisement-interval as 0 for fast convergence for VTEP1
VTEP2(config-router)#neighbor 1.1.1.1 update-source lo	Define BGP neighbors, to update the source routes with lo
VTEP2(config-router)#neighbor 6.6.6.6 remote-as 100	Configure BGP remote-as 100 with neighbor IP
(config-router)#neighbor 6.6.6.6 advertisement-interval 0	Configure advertisement-interval as 0 for fast convergence for VTEP3
VTEP2(config-router)#neighbor 6.6.6.6 update-source lo	Define BGP neighbors, to update the source routes with lo
VTEP2(config-router)#address-family l2vpn evpn	Enter in to BGP L2VPN EVPN address-family
VTEP2(config-router-af)#neighbor 1.1.1.1 activate	Activate neighbors
VTEP2(config-router-af)#neighbor 6.6.6.6 activate	Activate neighbors
VTEP2(config-router-af)#exit-address-family	Exit from BGP L2VPN EVPN address-family
VTEP2(config-router)#nvo vxlan vtep-ip-global 2.2.2.2	Configure VXLAN global IP
VTEP2(config)#nvo vxlan id 1 ingress-replication inner-vid-disabled	Create VNID 1

VXLAN Tunnel Over SVI

VTEP2(config-nvo)#vxlan host-reachability-protocol evpn-bgp vrf1	Associate VNID with EVPN and vrf1
VTEP2(config-nvo)#nvo vxlan id 1000 ingress-replication inner-vid-disabled	Create VNID 1000
VTEP2(config-nvo)#vxlan host-reachability-protocol evpn-bgp vrf2	Associate VNID with EVPN and vrf2
VTEP2(config-nvo)#nvo vxlan access-if port xe47	Create VXLAN access port
VTEP2(config-nvo-acc-if)#map vnid 1	Map the VNID to access-if
VTEP2(config-nvo-acc-if)#nvo vxlan access-if port-vlan po1 2001	Create VXLAN access port
VTEP2(config-nvo-acc-if)#map vnid 1000	Map the VNID to access-if
VTEP2(config-nvo-acc-if)#nvo vxlan access-if port-vlan po1 2000	Create VXLAN access port
VTEP2(config-nvo-acc-if)#map vnid 1000	Map the VNID to access-if
VTEP2(config-nvo-acc-if)#commit	Commit the candidate configuration to the running configuration

P1

P1#configure terminal	Enter configuration terminal
P1(config)#hostname P1	Configure hostname
P1(config)#bfd interval 3 minrx 3 multiplier 3	Configure BFD interval globally
P1(config)#qos enable	Enable qos
P1(config)#bridge 1 protocol ieee vlan-bridge	Configure IEEE VLAN bridge
P1(config)#no bridge 1 spanning-tree enable	Disable spanning tree in bridge 1 globally
P1(config)#no igmp snooping	Disable igmp snooping messages globally
P1(config)#vlan database	Enter into the VLAN database
P1(config-vlan)#vlan 10-200 bridge 1 state enable	Configure VLAN 10-200 and associate with bridge 1
P1(config-if)#interface lo	Enter loopback interface mode
P1(config-if)#ip address 3.3.3.3/32 secondary	Assign loopback IP
P1(config-if)#interface vlan1.20	Specify interface VLAN1.20 to be configured.
P1(config-if)#ip address 13.1.1.2/24	Assign IP address
P1(config-if)#ip ospf cost 1	Change OSPF cost of the link
P1(config-if)#interface vlan1.40	Specify interface VLAN1.40 to be configured.
P1(config-if)#ip address 23.1.1.2/24	Assign IP address
P1(config-if)#interface vlan1.60	Specify interface VLAN1.60 to be configured.
P1(config-if)#ip address 35.1.1.1/24	Assign IP address
P1(config-if)#ip ospf cost 1	Change OSPF cost of the link
P1(config-if)#interface vlan1.100	Specify interface VLAN1.100 to be configured.
P1(config-if)#ip address 34.1.1.1/24	Assign IP address

P1(config-if)#ip ospf cost 1	Change OSPF cost of the link
P1(config-vlan)#interface ce49	Enter interface mode
P1(config-if)#switchport	Set the interface as Layer2 port
P1(config-if)#bridge-group 1 spanning-tree disable	Associate the interface with bridge group 1 and disable spanning tree
P1(config-if)#switchport mode trunk	Set the switching characteristics of this interface to trunk mode.
P1(config-if)#switchport trunk allowed vlan add 40,49	Enable VLAN's allowed on this interface.
P1(config-if)#switchport trunk native vlan 49	Configure native VLAN
P1(config-if)#load-interval 30	Configure load period in multiple of 30 seconds
P1(config-if)#spanning-tree edgeport	Set the port as an edge-port to enable rapid transitions
P1(config-if)#interface xe1	Enter interface mode
P1(config-if)#switchport	Set the interface as Layer2 port
P1(config-if)#bridge-group 1 spanning-tree disable	Associate the interface with bridge group 1 and disable spanning tree
P1(config-if)#switchport mode trunk	Set the switching characteristics of this interface to trunk mode.
P1(config-if)#switchport trunk allowed vlan add 20,29	Enable VLAN's allowed on this interface.
P1(config-if)#switchport trunk native vlan 29	Configure native VLAN
P1(config-if)#load-interval 30	Configure load period in multiple of 30 seconds
P1(config-if)#mtu 1600	Change the interface mtu value
P1(config-if)#spanning-tree edgeport	Set the port as an edge-port to enable rapid transitions
P1(config-if)#interface xe10	Enter interface mode
P1(config-if)#switchport	Set the interface as Layer2 port
P1(config-if)#bridge-group 1 spanning-tree disable	Associate the interface with bridge group 1 and disable spanning tree
P1(config-if)#switchport mode trunk	Set the switching characteristics of this interface to trunk mode.
P1(config-if)#switchport trunk allowed vlan add 60,69	Enable VLAN's allowed on this interface.
P1(config-if)#switchport trunk native vlan 69	Configure native VLAN
P1(config-if)#load-interval 30	Configure load period in multiple of 30 seconds
P1(config-if)#mtu 1600	Change the interface mtu value
P1(config-if)#spanning-tree edgeport	Set the port as an edge-port to enable rapid transitions
P1(config-if)#interface xe25	Enter interface mode
P1(config-if)#switchport	Set the interface as Layer2 port
P1(config-if)#bridge-group 1 spanning-tree disable	Associate the interface with bridge group 1 and disable spanning tree
P1(config-if)#switchport mode trunk	Set the switching characteristics of this interface to trunk mode.

VXLAN Tunnel Over SVI

P1(config-if)#switchport trunk allowed vlan add 100,109	Enable VLAN's allowed on this interface.
P1(config-if)#switchport trunk native vlan 109	Configure native VLAN
P1(config-if)#load-interval 30	Configure load period in multiple of 30 seconds
P1(config-if)#spanning-tree edgeport	Set the port as an edge-port to enable rapid transitions
P1(config-if)#router ospf 1	Enter OSPF configuration mode
P1(config-router)#ospf router-id 3.3.3.3	Configure OSPF router id
P1(config-router)#bfd all-interfaces	Enable BFD in all OSPF interfaces
P1(config-router)#network 3.3.3.3/32 area 0.0.0.0	Define the Network on which OSPF runs and associate the area ID (area 0) with the interface.
P1(config-router)#network 10.10.10.0/24 area 0.0.0.0	Define the Network on which OSPF runs and associate the area ID (area 0) with the interface.
P1(config-router)#network 13.1.1.0/24 area 0.0.0.0	Define the Network on which OSPF runs and associate the area ID (area 0) with the interface.
P1(config-router)#network 23.1.1.0/24 area 0.0.0.0	Define the Network on which OSPF runs and associate the area ID (area 0) with the interface.
P1(config-router)#network 34.1.1.0/24 area 0.0.0.0	Define the Network on which OSPF runs and associate the area ID (area 0) with the interface.
P1(config-router)#network 35.1.1.0/24 area 0.0.0.0	Define the Network on which OSPF runs and associate the area ID (area 0) with the interface.
P1(config-router)#commit	Commit the candidate configuration to the running configuration

P2

P2#configure terminal	Enter configuration terminal
P2(config)#bfd interval 3 minrx 3 multiplier 3	Configure BFD interval globally
P2(config)#qos enable	Enable qos
P2(config)#hostname P2	Configure hostname
P2(config)#bridge 1 protocol ieee vlan-bridge	Configure IEEE VLAN bridge
P2(config)#no bridge 1 spanning-tree enable	Disable spanning tree in bridge 1 globally
P2(config)#no igmp snooping	Disable igmp snooping messages globally
P2(config)#vlan database	Enter into the VLAN database
P2(config-vlan)#vlan 10-200 bridge 1 state enable	Configure VLAN 10-200 and associate with bridge 1
P2(config-vlan)#interface lo	Enter lo interface mode
P2(config-if)#ip address 4.4.4.4/32 secondary	Assign loopback IP
P2(config-if)#interface vlan1.30	Specify interface VLAN1.30 to be configured.
P2(config-if)#ip address 14.1.1.2/24	Assign IP address
P2(config-if)#ip ospf cost 1	Change OSPF cost of the link
P2(config-if)#interface vlan1.50	Specify interface VLAN1.50 to be configured.
P2(config-if)#ip address 24.1.1.2/24	Assign IP address

P2(config-if)#interface vlan1.70	Specify interface VLAN1.70 to be configured.
P2(config-if)#ip address 45.1.1.1/24	Assign IP address
P2(config-if)#ip ospf cost 1	Change OSPF cost of the link
P2(config-if)#interface vlan1.90	Specify interface VLAN1.90 to be configured.
P2(config-if)#ip address 46.1.1.1/24	Assign IP address
P2(config-if)#ip ospf cost 1	Change OSPF cost of the link
P2(config-if)#interface vlan1.100	Specify interface VLAN1.100 to be configured.
P2(config-if)#ip address 34.1.1.2/24	Assign IP address
P2(config-if)#ip ospf cost 1	Change OSPF cost of the link
P2(config-if)#interface xe2	Enter interface mode
P2(config-if)#switchport	Set the interface as Layer2 port
P2(config-if)#bridge-group 1 spanning-tree disable	Associate the interface with bridge group 1 and disable spanning tree
P2(config-if)#switchport mode trunk	Set the switching characteristics of this interface to trunk mode.
P2(config-if)#switchport trunk allowed vlan add 70,79	Enable VLAN's allowed on this interface.
P2(config-if)#switchport trunk native vlan 79	Configure native VLAN
P2(config-if)#load-interval 30	Configure load period in multiple of 30 seconds
P2(config-if)#spanning-tree edgeport	Set the port as an edge-port to enable rapid transitions
P2(config-if)#interface xe3	Enter interface mode
P2(config-if)#switchport	Set the interface as Layer2 port
P2(config-if)#bridge-group 1 spanning-tree disable	Associate the interface with bridge group 1 and disable spanning tree
P2(config-if)#switchport mode trunk	Set the switching characteristics of this interface to trunk mode.
P2(config-if)#switchport trunk allowed vlan add 90,99	Enable VLAN's allowed on this interface.
P2(config-if)#switchport trunk native vlan 99	Configure native VLAN
P2(config-if)#load-interval 30	Configure load period in multiple of 30 seconds
P2(config-if)#spanning-tree edgeport	Set the port as an edge-port to enable rapid transitions
P2(config-if)#interface xe7	Enter interface mode
P2(config-if)#switchport	Set the interface as Layer2 port
P2(config-if)#bridge-group 1 spanning-tree disable	Associate the interface with bridge group 1 and disable spanning tree
P2(config-if)#switchport mode trunk	Set the switching characteristics of this interface to trunk mode.
P2(config-if)#switchport trunk allowed vlan add 30,39	Enable VLAN's allowed on this interface.
P2(config-if)#switchport trunk native vlan 39	Configure native VLAN
P2(config-if)#load-interval 30	Configure load period in multiple of 30 seconds
P2(config-if)#spanning-tree edgeport	Set the port as an edge-port to enable rapid transitions

VXLAN Tunnel Over SVI

P2(config-if)#interface xe9	Enter interface mode
P2(config-if)#switchport	Set the interface as Layer2 port
P2(config-if)#bridge-group 1 spanning-tree disable	Associate the interface with bridge group 1 and disable spanning tree
P2(config-if)#switchport mode trunk	Set the switching characteristics of this interface to trunk mode.
P2(config-if)#switchport trunk allowed vlan add 50,59	Enable VLAN's allowed on this interface.
P2(config-if)#switchport trunk native vlan 59	Configure native VLAN
P2(config-if)#load-interval 30	Configure load period in multiple of 30 seconds
P2(config-if)#spanning-tree edgeport	Set the port as an edge-port to enable rapid transitions
P2(config-if)#interface xe25	Enter interface mode
P2(config-if)#switchport	Set the interface as Layer2 port
P2(config-if)#bridge-group 1 spanning-tree disable	Associate the interface with bridge group 1 and disable spanning tree
P2(config-if)#switchport mode trunk	Set the switching characteristics of this interface to trunk mode.
P2(config-if)#switchport trunk allowed vlan add 100,109	Enable VLAN's allowed on this interface.
P2(config-if)#switchport trunk native vlan 109	Configure native VLAN
P2(config-if)#load-interval 30	Configure load period in multiple of 30 seconds
P2(config-if)#spanning-tree edgeport	Set the port as an edge-port to enable rapid transitions
P2(config-if)#router ospf 1	Enter OSPF configuration mode
P2(config-router)#ospf router-id 4.4.4.4	Configure OSPF router id
P2(config-router)#bfd all-interfaces	Enable BFD in all OSPF interfaces
P2(config-router)#network 4.4.4.4/32 area 0.0.0.0	Define the Network on which OSPF runs and associate the area ID (area 0) with the interface.
P2(config-router)#network 14.1.1.0/24 area 0.0.0.0	Define the Network on which OSPF runs and associate the area ID (area 0) with the interface.
P2(config-router)#network 24.1.1.0/24 area 0.0.0.0	Define the Network on which OSPF runs and associate the area ID (area 0) with the interface.
P2(config-router)#network 34.1.1.0/24 area 0.0.0.0	Define the Network on which OSPF runs and associate the area ID (area 0) with the interface.
P2(config-router)#network 45.1.1.0/24 area 0.0.0.0	Define the Network on which OSPF runs and associate the area ID (area 0) with the interface.
P2(config-router)#network 46.1.1.0/24 area 0.0.0.0	Define the Network on which OSPF runs and associate the area ID (area 0) with the interface.
P2(config-router)#commit	Commit the candidate configuration to the running configuration

P3

P3(config)#hostname P3	Configure hostname
P3(config)#bfd interval 3 minrx 3 multiplier 3	Configure BFD interval globally

P3(config)#qos enable	Enable qos
P3(config)#bridge 1 protocol ieee vlan-bridge	Configure IEEE VLAN bridge
P3(config)#no bridge 1 spanning-tree enable	Disable spanning tree in bridge 1 globally
P3(config)#no igmp snooping	Disable igmp snooping messages globally
P3(config)#vlan database	Enter into the VLAN database
P3(config-vlan)#vlan 10-200 bridge 1 state enable	Configure VLAN 10-200 and associate with bridge 1
P3(config-vlan)#interface lo	Enter lo interface mode
P3(config-if)#ip address 5.5.5.5/32 secondary	Assign loopback IP
P3(config-if)#interface vlan1.60	Specify interface VLAN1.60 to be configured.
P3(config-if)#ip address 35.1.1.2/24	Assign IP address
P3(config-if)#ip ospf cost 1	Change OSPF cost of the link
P3(config-if)#interface vlan1.70	Specify interface VLAN1.70 to be configured.
P3(config-if)#ip address 45.1.1.2/24	Assign IP address
P3(config-if)#ip ospf cost 1	Change OSPF cost of the link
P3(config-if)#interface vlan1.80	Specify interface VLAN1.80 to be configured.
P3(config-if)#ip address 56.1.1.1/24	Assign IP address
P3(config-if)#ip ospf cost 1	Change OSPF cost of the link
P3(config-if)#interface vlan1.110	Specify interface VLAN1.1100 to be configured.
P3(config-if)#ip address 15.1.1.2/24	Assign IP address
P3(config-if)#ip ospf cost 1	Change OSPF cost of the link
P3(config-if)#interface vlan1.160	Specify interface VLAN1.160 to be configured.
P3(config-if)#ip address 25.1.1.2/24	Assign IP address
P3(config-if)#ip ospf cost 1	Change OSPF cost of the link
P3(config-if)#interface xe2	Enter interface mode
P3(config-if)#switchport	Set the interface as Layer2 port
P3(config-if)#bridge-group 1 spanning-tree disable	Associate the interface with bridge group 1 and disable spanning tree
P3(config-if)#switchport mode trunk	Set the switching characteristics of this interface to trunk mode.
P3(config-if)#switchport trunk allowed vlan add 70,79	Enable VLAN's allowed on this interface.
P3(config-if)#switchport trunk native vlan 79	Configure native VLAN
P3(config-if)#load-interval 30	Configure load period in multiple of 30 seconds
P3(config-if)#spanning-tree edgeport	Set the port as an edge-port to enable rapid transitions
P3(config-if)#interface xe10	Enter interface mode
P3(config-if)#switchport	Set the interface as Layer2 port
P3(config-if)#bridge-group 1 spanning-tree disable	Associate the interface with bridge group 1 and disable spanning tree
P3(config-if)#switchport mode trunk	Set the switching characteristics of this interface to trunk mode.

VXLAN Tunnel Over SVI

P3(config-if)#switchport trunk allowed vlan add 60,69	Enable VLAN's allowed on this interface.
P3(config-if)#switchport trunk native vlan 69	Configure native VLAN
P3(config-if)#load-interval 30	Configure load period in multiple of 30 seconds
P3(config-if)#mtu 1600	Change interface mtu value
P3(config-if)#spanning-tree edgeport	Set the port as an edge-port to enable rapid transitions
P3(config-if)#interface xe15	Enter interface mode
P3(config-if)#switchport	Set the interface as Layer2 port
P3(config-if)#bridge-group 1 spanning-tree disable	Associate the interface with bridge group 1 and disable spanning tree
P3(config-if)#switchport mode trunk	Set the switching characteristics of this interface to trunk mode.
P3(config-if)#switchport trunk allowed vlan add 80,89	Enable VLAN's allowed on this interface.
P3(config-if)#switchport trunk native vlan 89	Configure native VLAN
P3(config-if)#load-interval 30	Configure load period in multiple of 30 seconds
P3(config-if)#mtu 1600	Change interface mtu value
P3(config-if)#spanning-tree edgeport	Set the port as an edge-port to enable rapid transitions
P3(config-if)#router ospf 1	Enter OSPF configuration mode
P3(config-router)#ospf router-id 5.5.5.5	Configure OSPF router id
P3(config-router)#bfd all-interfaces	Enable BFD in all ospf interfaces
P3(config-router)#network 5.5.5.5/32 area 0.0.0.0	Define the Network on which OSPF runs and associate the area ID (area 0) with the interface.
P3(config-router)#network 15.1.1.0/24 area 0.0.0.0	Define the Network on which OSPF runs and associate the area ID (area 0) with the interface.
P3(config-router)#network 25.1.1.0/24 area 0.0.0.0	Define the Network on which OSPF runs and associate the area ID (area 0) with the interface.
P3(config-router)#network 35.1.1.0/24 area 0.0.0.0	Define the Network on which OSPF runs and associate the area ID (area 0) with the interface.
P3(config-router)#network 45.1.1.0/24 area 0.0.0.0	Define the Network on which OSPF runs and associate the area ID (area 0) with the interface.
P3(config-router)#network 56.1.1.0/24 area 0.0.0.0	Define the Network on which OSPF runs and associate the area ID (area 0) with the interface.
P3(config-router)#commit	Commit the candidate configuration to the running configuration

VTEP3

VTEP3#configure terminal	Enter configuration terminal
VTEP3(config)#hostname VTEP3	Configure hostname
VTEP3(config)#mac vrf vrf1	Configure MAC vrf vrf1
VTEP3(config-vrf)#rd 6.6.6.6:11	Configure RD for vrf1
VTEP3(config-vrf)#route-target both 10.10.10.10:100	Configure RT for vrf1

VTEP3(config-vrf)#mac vrf vrf2	Configure MAC vrf vrf2
VTEP3(config-vrf)#rd 6.6.6.6:12	Configure RD for vrf2
VTEP3(config-vrf)#route-target both 10.10.10.10:101	Configure RT for vrf2
VTEP3(config-vrf)#route-target both 10.10.10.10:102	Configure RT for vrf2
VTEP3(config-vrf)#bfd interval 3 minrx 3 multiplier 3	Enable EVPN VXLAN multihoming
VTEP3(config)#evpn vxlan multihoming enable	Enable statistics on VXLAN tunnel interface
VTEP3(config)#nvo vxlan enable	Enable VXLAN
VTEP3(config)#qos enable	Enable qos
VTEP3(config)#qos statistics	Enable qos statistics
VTEP3(config)#bridge 1 protocol ieee vlan-bridge	Configure IEEE VLAN bridge
VTEP3(config)#no bridge 1 spanning-tree enable	Disable spanning tree in bridge 1 globally
VTEP3(config)#no igmp snooping	Disable igmp snooping messages globally
VTEP3(config)#vlan database	Enter into the VLAN database
VTEP3(config-vlan)#vlan 10-200 bridge 1 state enable	Configure VLAN 10-200 and associate with bridge 1
VTEP3(config-vlan)#interface lo	Enter lo interface mode
VTEP3(config-if)#ip address 6.6.6.6/32 secondary	Assign loopback IP
VTEP3(config-if)#interface vlan1.80	Specify interface VLAN1.80 to be configured.
VTEP3(config-if)#ip address 56.1.1.2/24	Assign IP address
VTEP3(config-if)#ip ospf cost 1	Change OSPF cost of the link
VTEP3(config-if)#interface vlan1.90	Specify interface VLAN1.90 to be configured.
VTEP3(config-if)#ip address 46.1.1.2/24	Assign IP address
VTEP3(config-if)#ip ospf cost 1	Change OSPF cost of the link
VTEP3(config-if)#interface xe3	Enter interface mode
VTEP3(config-if)#switchport	Set the interface as Layer2 port
VTEP3(config-if)#bridge-group 1 spanning-tree disable	Associate the interface with bridge group 1 and disable spanning tree
VTEP3(config-if)#switchport mode trunk	Set the switching characteristics of this interface to trunk mode.
VTEP3(config-if)#switchport trunk allowed vlan add 90,99	Enable VLAN's allowed on this interface.
VTEP3(config-if)#switchport trunk native vlan 99	Configure native VLAN
VTEP3(config-if)#load-interval 30	Configure load period in multiple of 30 seconds
VTEP3(config-if)#spanning-tree edgeport	Set the port as an edge-port to enable rapid transitions
VTEP3(config-if)#interface xe15	Enter interface mode
VTEP3(config-if)#switchport	Set the interface as Layer2 port
VTEP3(config-if)#bridge-group 1 spanning-tree disable	Associate the interface with bridge group 1 and disable spanning tree

VXLAN Tunnel Over SVI

VTEP3(config-if)#switchport mode trunk	Set the switching characteristics of this interface to trunk mode.
VTEP3(config-if)#switchport trunk allowed vlan add 80,89	Enable VLAN's allowed on this interface.
VTEP3(config-if)#switchport trunk native vlan 89	Configure native VLAN
VTEP3(config-if)#load-interval 30	Configure load period in multiple of 30 seconds
VTEP3(config-if)#mtu 1600	Change interface mtu value
VTEP3(config-if)#spanning-tree edgeport	Set the port as an edge-port to enable rapid transitions
VTEP3(config-if)#interface xe45	Enter interface mode
VTEP3(config-if)#switchport	Set the interface as Layer2 port
VTEP3(config-if)#load-interval 30	Configure load period in multiple of 30 seconds
VTEP3(config-if)#interface xe46	Enter interface mode
VTEP3(config-if)#switchport	Set the interface as Layer2 port
VTEP3(config-if)#load-interval 30	Configure load period in multiple of 30 seconds
VTEP3(config-if)#router ospf 1	Enter OSPF configuration mode
VTEP3(config-router)#ospf router-id 6.6.6.6	Configure OSPF router id
VTEP3(config-router)#bfd all-interfaces	Enable BFD in all OSPF interfaces
VTEP3(config-router)#network 6.6.6.6/32 area 0.0.0.0	Define the Network on which OSPF runs and associate the area ID (area 0) with the interface.
VTEP3(config-router)#network 46.1.1.0/24 area 0.0.0.0	Define the Network on which OSPF runs and associate the area ID (area 0) with the interface.
VTEP3(config-router)#network 56.1.1.0/24 area 0.0.0.0	Define the Network on which OSPF runs and associate the area ID (area 0) with the interface.
VTEP3(config-router)#router bgp 100	Enter address-family IPv4 unicast mode
VTEP3(config-router)#address-family ipv4 unicast	Add the lo network to BGP route
VTEP3(config-router)#network 6.6.6.6/32	Activate neighbors
VTEP3(config-router-af)#neighbor 1.1.1.1 activate	Activate neighbors
VTEP3(config-router-af)#neighbor 2.2.2.2 activate	Exit address-family mode.
VTEP3(config-router-af)#exit-address-family	Enter Router BGP mode and define the AS number 100.
VTEP3(config-router)#neighbor 1.1.1.1 remote-as 100	Configure BGP remote-as 100 with neighbor IP
VTEP3(config-router)#neighbor 1.1.1.1 update-source lo	Define BGP neighbors, to update the source routes with lo
VTEP3(config-router)#neighbor 2.2.2.2 remote-as 100	Configure BGP remote-as 100 with neighbor IP
VTEP3(config-router)#neighbor 2.2.2.2 update-source lo	Configure advertisement-interval as 0 for fast convergence for VTEP2
(config-router)#neighbor 2.2.2.2 advertisement-interval 0	Configure advertisement-interval as 0 for fast convergence for VTEP1
(config-router)#neighbor 1.1.1.1 advertisement-interval 0	Define BGP neighbors, to update the source routes with lo
VTEP3(config-router)#address-family l2vpn evpn	Enter in to BGP L2VPN EVPN address-family

VTEP3(config-router-af)#neighbor 1.1.1.1 activate	Activate neighbors
VTEP3(config-router-af)#neighbor 2.2.2.2 activate	Activate neighbors
VTEP3(config-router-af)#exit-address-family	Exit from BGP L2VPN EVPN address-family
VTEP3(config-router)#nvo vxlan vtep-ip-global 6.6.6.6	Configure VXLAN global IP
VTEP3(config)#nvo vxlan id 1 ingress-replication inner-vid-disabled	Create VNID 1
VTEP3(config-nvo)#vxlan host-reachability-protocol evpn-bgp vrf1	Associate VNID with EVPN and vrf1
VTEP3(config-nvo)#nvo vxlan id 1000 ingress-replication inner-vid-disabled	Create VNID 1000
VTEP3(config-nvo)#vxlan host-reachability-protocol evpn-bgp vrf2	Associate VNID with EVPN and vrf2
VTEP3(config-nvo)#nvo vxlan access-if port-vlan xe45 3001	Create VXLAN access port port-VLAN
VTEP3(config-nvo-acc-if)#map vnid 1	Map the VNID to access-if
VTEP3(config-nvo-acc-if)#nvo vxlan access-if port xe46	Create VXLAN access port
VTEP3(config-nvo-acc-if)#map vnid 1000	Map the VNID to access-if
VTEP3(config-nvo-acc-if)#commit	Commit the candidate configuration to the running configuration

SWITCH

SWITCH#configure terminal	Enter configuration terminal
SWITCH#(config)# bridge 1 protocol rstp vlan-bridge	Configure rstp vlan bridge
SWITCH#(config-vlan)#interface po1	Enter interface mode
SWITCH#(config-if)#switchport	Set the interface as Layer2 port
SWITCH#(config-if)#load-interval 30	Configure load period in multiple of 30 seconds
SWITCH#(config-if)#interface ce9/1	Enter interface mode
SWITCH#(config-if)#channel-group 1 mode active	Map this interface to po1
SWITCH#(config-if)#interface ce9/2	Enter interface mode
SWITCH#(config-if)#channel-group 1 mode active	Map this interface to po1
SWITCH#(config-if)#interface ce10/1	Enter interface mode
SWITCH#(config-if)#channel-group 1 mode active	Map this interface to po1
SWITCH#(config-if)#interface ce10/2	Enter interface mode
SWITCH#(config-if)#channel-group 1 mode active	Map this interface to po1
SWITCH#(config-if)#interface ce31/1	Set the port as an edge-port to enable rapid transitions
SWITCH#(config-if)#switchport	Enter interface mode

SWITCH#(config-if)#bridge-group 1 spanning-tree disable	Set the interface as Layer2 port
SWITCH#(config-if)#switchport mode trunk	Associate the interface with bridge group 1 and disable spanning tree
SWITCH#(config-if)#switchport trunk allowed vlan all	Set the switching characteristics of this interface to trunk mode.
SWITCH#(config-if)#load-interval 30	Configure native VLAN
SWITCH#(config-if)#commit	Commit the candidate configuration to the running configuration

Validation

VTEP1#sh ip ospf neighbor

Total number of full neighbors: 3

OSPF process 1 VRF(default):

Neighbor ID Instance ID	Pri	State	Dead Time	Address	Interface	
2.2.2.2	1	Full/DR	00:00:30	12.1.1.2	vlan1.10	0
3.3.3.3	1	Full/DR	00:00:31	13.1.1.2	vlan1.20	0
4.4.4.4	1	Full/DR	00:00:33	14.1.1.2	vlan1.30	0

VTEP2#sh ip ospf neighbor

Total number of full neighbors: 3

OSPF process 1 VRF(default):

Neighbor ID Instance ID	Pri	State	Dead Time	Address	Interface	
1.1.1.1 0	1	Full/Backup	00:00:38	12.1.1.1	vlan1.10	
3.3.3.3	1	Full/DR	00:00:39	23.1.1.2	vlan1.40	0
4.4.4.4	1	Full/DR	00:00:39	24.1.1.2	vlan1.50	0

P1#sh ip ospf neighbor

Total number of full neighbors: 4

OSPF process 1 VRF(default):

Neighbor ID Instance ID	Pri	State	Dead Time	Address	Interface	
1.1.1.1 0	1	Full/Backup	00:00:39	13.1.1.1	vlan1.20	
2.2.2.2 0	1	Full/Backup	00:00:38	23.1.1.1	vlan1.40	
4.4.4.4	1	Full/DR	00:00:40	34.1.1.2	vlan1.100	0
5.5.5.5	1	Full/DR	00:00:36	35.1.1.2	vlan1.60	0

P2#sh ip ospf neighbor

Total number of full neighbors: 5

OSPF process 1 VRF(default):

Neighbor ID Instance ID	Pri	State	Dead Time	Address	Interface	
1.1.1.1 0	1	Full/Backup	00:00:30	14.1.1.1	vlan1.30	
2.2.2.2 0	1	Full/Backup	00:00:38	24.1.1.1	vlan1.50	
3.3.3.3 0	1	Full/Backup	00:00:33	34.1.1.1	vlan1.100	
5.5.5.5	1	Full/DR	00:00:30	45.1.1.2	vlan1.70	0
6.6.6.6	1	Full/DR	00:00:34	46.1.1.2	vlan1.90	0

P2#

P3#sh ip ospf neighbor

Total number of full neighbors: 3

OSPF process 1 VRF(default):

Neighbor ID Instance ID	Pri	State	Dead Time	Address	Interface	
3.3.3.3 0	1	Full/Backup	00:00:34	35.1.1.1	vlan1.60	
4.4.4.4 0	1	Full/Backup	00:00:34	45.1.1.1	vlan1.70	
6.6.6.6	1	Full/DR	00:00:33	56.1.1.2	vlan1.80	0

P3#

VTEP1#sh bgp l2vpn evpn summary

BGP router identifier 1.1.1.1, local AS number 100

BGP table version is 4

1 BGP AS-PATH entries

0 BGP community entries

Neighbor PfxRcd	AD	MACIP	V MCAST	AS	MsgRcv ESI	MsgSen PREFIX-ROUTE	TblVer	InQ	OutQ	Up/Down	State/
2.2.2.2 2	0	0	4 2	100 0	23 0	22	4	0	0	00:07:34	
6.6.6.6 2	0	0	4 2	100 0	21 0	22	4	0	0	00:07:34	

Total number of neighbors 2

Total number of Established sessions 2

VTEP1#

VTEP2#sh bgp l2vpn evpn summary

BGP router identifier 2.2.2.2, local AS number 100

BGP table version is 5

1 BGP AS-PATH entries

0 BGP community entries

Neighbor PfxRcd	AD	MACIP	V MCAST	AS	MsgRcv ESI	MsgSen PREFIX-ROUTE	TblVer	InQ	OutQ	Up/Down	State/
1.1.1.1 2	0	0	4 2	100 0	22 0	24	5	0	0	00:07:41	
6.6.6.6 2	0	0	4 2	100 0	24 0	27	5	0	0	00:08:51	

VXLAN Tunnel Over SVI

Total number of neighbors 2

Total number of Established sessions 2

VTEP2#

VTEP3#sh bgp l2vpn evpn summary

BGP router identifier 6.6.6.6, local AS number 100

BGP table version is 5

1 BGP AS-PATH entries

0 BGP community entries

Neighbor PfxRcd	AD	MACIP	V MCAST	AS	MsgRcv ESI	MsgSen PREFIX-ROUTE	TblVer	InQ	OutQ	Up/Down	State/
1.1.1.1			4	100	23	21	5	0	0	00:07:44	
2	0	0	2	0	0						
2.2.2.2			4	100	26	24	5	0	0	00:08:54	
2	0	0	2	0	0						

Total number of neighbors 2

Total number of Established sessions 2

VTEP3#

VTEP1#show nvo vxlan mac-table

```
=====
=====
                                VXLAN MAC Entries
=====
=====
```

VNID Type	Interface	VlanId Status	Inner-VlanId	Mac-Addr AccessPortDesc	VTEP-Ip/ESI
1	po1	1000	----	0000.1111.1111	00:aa:22:33:44:55:66:00:00:00
Static	Local	-----		-----	
1	po1	1000	----	0000.1111.1112	00:aa:22:33:44:55:66:00:00:00
Static	Local	-----		-----	
1	po1	1000	----	0000.1111.1113	00:aa:22:33:44:55:66:00:00:00
Static	Local	-----		-----	
1	po1	1000	----	0000.1111.1114	00:aa:22:33:44:55:66:00:00:00
Static	Local	-----		-----	
1	po1	1000	----	0000.1111.1115	00:aa:22:33:44:55:66:00:00:00
Static	Local	-----		-----	
1	po1	1000	----	a82b.b57c.4470	00:aa:22:33:44:55:66:00:00:00
Dynamic	Local	-----		-----	
1000	----	----	----	a82b.b57c.4476	00:aa:22:33:44:55:66:00:00:00
Dynamic	Remote	-----		-----	

Total number of entries are : 7

VTEP1#

VTEP2#sh nvo vxlan mac-table

=====

VXLAN MAC Entries

=====

VNID Type	Interface	VlanId Status	Inner-VlanId	Mac-Addr AccessPortDesc	VTEP-Ip/ESI
1 Static Remote	----	----	----	0000.1111.1111	00:aa:22:33:44:55:66:00:00:00
1 Static Remote	----	----	----	0000.1111.1112	00:aa:22:33:44:55:66:00:00:00
1 Static Remote	----	----	----	0000.1111.1113	00:aa:22:33:44:55:66:00:00:00
1 Static Remote	----	----	----	0000.1111.1114	00:aa:22:33:44:55:66:00:00:00
1 Static Remote	----	----	----	0000.1111.1115	00:aa:22:33:44:55:66:00:00:00
1 Dynamic Remote	----	----	----	a82b.b57c.4470	00:aa:22:33:44:55:66:00:00:00
1000 Dynamic Local	pol	2000	----	a82b.b57c.4476	00:aa:22:33:44:55:66:00:00:00

Total number of entries are : 7

VTEP2#

VTEP3#sh nvo vxlan mac-table

=====

VXLAN MAC Entries

=====

VNID Type	Interface	VlanId Status	Inner-VlanId	Mac-Addr AccessPortDesc	VTEP-Ip/ESI
1 Static Remote	----	----	----	0000.1111.1111	00:aa:22:33:44:55:66:00:00:00
1 Static Remote	----	----	----	0000.1111.1112	00:aa:22:33:44:55:66:00:00:00
1 Static Remote	----	----	----	0000.1111.1113	00:aa:22:33:44:55:66:00:00:00
1 Static Remote	----	----	----	0000.1111.1114	00:aa:22:33:44:55:66:00:00:00
1 Static Remote	----	----	----	0000.1111.1115	00:aa:22:33:44:55:66:00:00:00
1 Dynamic Remote	----	----	----	a82b.b57c.4470	00:aa:22:33:44:55:66:00:00:00
1000 Dynamic Remote	----	----	----	a82b.b57c.4476	00:aa:22:33:44:55:66:00:00:00

Total number of entries are : 7

VXLAN Tunnel Over SVI

VTEP3#

VTEP1#show nvo vxlan access-if brief

Interface	Vlan	Inner vlan	Ifindex	Vnid	Admin status	Link status
xe46	---	---	500000	1	up	up
po1	2000	---	500001	1000	up	up
po1	2001	---	500002	1000	up	up

Total number of entries are 2

VTEP1#

VTEP2#show nvo vxlan access-if brief

Interface	Vlan	Inner vlan	Ifindex	Vnid	Admin status	Link status
xe47	---	---	500000	1	up	up
po1	2001	---	500001	1000	up	up
po1	2000	---	500002	1000	up	up

Total number of entries are 3

VTEP2#

VTEP3#show nvo vxlan access-if brief

Interface	Vlan	Inner vlan	Ifindex	Vnid	Admin status	Link status
xe45	3001	---	500000	1	up	up
xe46	---	---	500001	1000	up	up

Total number of entries are 2

VTEP3#

VTEP1#sh nvo vxlan tunnel

VXLAN Network tunnel Entries

Source	Destination	Status	Up/Down	Update
1.1.1.1	6.6.6.6	Installed	00:03:59	00:03:59
1.1.1.1	2.2.2.2	Installed	00:03:59	00:03:59

Total number of entries are 2

VTEP1#sh nvo vxlan

VXLAN Information

=====

Codes: NW - Network Port

AC - Access Port

(u) - Untagged

VNID Status	VNI-Name Src-Addr	VNI-Type Dst-Addr	Type	Interface	ESI	VLAN	DF-
1 --	----- 1.1.1.1	L2	NW	-----	-----	-----	--
1 --	----- 1.1.1.1	L2	NW	-----	-----	-----	--
1000 ----	-----	AC	po1	---	00:aa:22:33:44:55:66:00:00:00	2000	DF
1000 ----	-----	AC	po1	---	00:aa:22:33:44:55:66:00:00:00	2001	DF
1000 ----	----- 1.1.1.1	L2	NW	-----	-----	-----	--
1000 ----	----- 1.1.1.1	L2	NW	-----	-----	-----	--
1000 ----	-----	AC	xe46	---	Single Homed Port	---	--

Total number of entries are 10
VTEP1#

VTEP2#sh nvo vxlan tunnel

VXLAN Network tunnel Entries

Source	Destination	Status	Up/Down	Update
2.2.2.2	1.1.1.1	Installed	00:03:59	00:03:59
2.2.2.2	6.6.6.6	Installed	00:05:09	00:05:09

Total number of entries are 2

VTEP2#sh nvo vxlan

VXLAN Information

=====

Codes: NW - Network Port
AC - Access Port
(u) - Untagged

VNID Status	VNI-Name Src-Addr	VNI-Type Dst-Addr	Type	Interface	ESI	VLAN	DF-
1 --	----- 2.2.2.2	L2	NW	-----	-----	-----	--
1 --	----- 2.2.2.2	L2	NW	-----	-----	-----	--
1 --	-----	AC	xe47	---	Single Homed Port	---	--
1000 ----	----- 2.2.2.2	L2	NW	-----	-----	-----	--
1000 ----	----- 2.2.2.2	L2	NW	-----	-----	-----	--
1000 DF	-----	AC	po1	---	00:aa:22:33:44:55:66:00:00:00	2001	NON-

VXLAN Tunnel Over SVI

```
1000      ----      --      AC      po1      --- 00:aa:22:33:44:55:66:00:00:00 2000 NON-
DF      ----      ----
```

Total number of entries are 11
VTEP2#

```
VTEP3#sh nvo vxlan tunnel
VXLAN Network tunnel Entries
```

Source	Destination	Status	Up/Down	Update
6.6.6.6	1.1.1.1	Installed	00:03:58	00:03:58
6.6.6.6	2.2.2.2	Installed	00:05:08	00:04:03

Total number of entries are 2
VTEP3#sh nvo vxlan

```
VXLAN Information
```

```
=====  
Codes: NW - Network Port  
       AC - Access Port  
       (u) - Untagged
```

VNIID	VNI-Name	VNI-Type	Type	Interface	ESI	VLAN	DF-Status
Src-Addr	Dst-Addr						
1	----	L2	NW	----	----	----	----
6.6.6.6	1.1.1.1						
1	----	L2	NW	----	----	----	----
6.6.6.6	2.2.2.2						
1	----	--	AC	xe45	---	Single Hommed port	---
----	----						
1000	----	L2	NW	----	----	----	----
6.6.6.6	1.1.1.1						
1000	----	L2	NW	----	----	----	----
6.6.6.6	2.2.2.2						
1000	----	--	AC	xe46	---	Single Homed Port	---
----	----						

Total number of entries are 10
VTEP3#

CHAPTER 10 DHCP Relay Over IRB Interface

This chapter contains configurations for DHCP relay over IRB interface.

Overview

Dynamic Host Configuration Protocol (DHCP) is a protocol that allows a DHCP server to dynamically allocate IP addresses to DHCP clients. The DHCP relay agent forwards DHCP messages between DHCP clients and DHCP servers when they are on different networks.

For DHCP relay to function, uplink interface (server facing) and downlink interface (client facing) are to be configured along with DHCP server address. These configurations are done in the interface mode.

In the IRB deployment, IRB interface acts as gateway and hence it might need to provide the service of DHCP for the hosts connected to IRB network per L2 VPN. Since the DHCP server will not be present in the VTEP, it can forward the DHCP requests to the DHCP server acting as relay agent.

Topology

The procedures in this section use the topology in [Figure 10-11](#).



Figure 10-11: DHCP Relay over IRB

ROUTER-1

#configure terminal	Enter Configure mode.
OcNOS(config)#interface lo	Enter Interface mode for loopback.
OcNOS(config-if)#ip address 1.1.1.1/32 secondary	Assign secondary IP address.
OcNOS(config-if)#exit	Exit Interface mode and return to Configure mode.
OcNOS(config)#nvo vxlan enable	Enable VXLAN
OcNOS(config)#nvo vxlan irb	Enable VXLAN IRB
OcNOS(config)#ip vrf vrf1	Create routing/forwarding instance with VRF1 name and enter into VRF mode
OcNOS(config-vrf)#rd 200:1	Assign RD value
OcNOS(config-vrf)#route-target both 200:1	Assign route target value
OcNOS(config-vrf)#ip dhcp relay address 40.40.40.1	The relay address configured should be server interface address connected to DUT machine
OcNOS(config-vrf)#ip dhcp relay uplink evpn	Configure the uplink interface as L3 VNI interface for specific VRF
OcNOS(config-vrf)#l3vni 45001	Configure L3VNI as 45001 for VRF1
OcNOS(config-vrf)#exit	Exit IP VRF mode

DHCP Relay Over IRB Interface

OcNOS (config) #mac vrf vrfred	Create MAC VRF instance with vrfred name and enter into VRF mode
OcNOS (config-vrf) #rd 1.1.1.1:1	Assign RD value
OcNOS (config-vrf) #route-target both 1.1.1.1:1	Assign route target value
OcNOS (config-vrf) #exit	Exit MAC VRF mode
OcNOS (config) #interface irb 1	Configure IRB interface
OcNOS (config-irb-if) #ip vrf forwarding vrf1	Configure IP VRF forwarding
OcNOS (config-irb-if) #ip address 11.1.1.1/24	Assign IP address on IRB interface.
OcNOS (config-irb-if) #ip dhcp relay	Relay should be configured on the interface connecting to the relay
OcNOS (config-irb-if) #exit	Exit IRB interface mode
OcNOS (config) #interface irb 2	Configure irb interface
OcNOS (config-irb-if) #ip vrf forwarding vrf1	Configure IP VRF forwarding
OcNOS (config-irb-if) #ip address 70.70.70.1/24	Assign IP address on IRB interface.
OcNOS (config-irb-if) #exit	Exit IRB interface mode
OcNOS (config) #interface ce49	Enter Interface mode for ce49.
OcNOS (config-if) #ip address 10.1.1.2/24	Assign IP address on ce49 interface.
OcNOS (config-if) #exit	Exit Interface mode and return to Configure mode.
OcNOS (config) #interface xe5	Enter Interface mode for xe5.
OcNOS (config-if) #switchport	Configure interface as L2 interface
OcNOS (config-if) #exit	Exit Interface mode and return to Configure mode.
OcNOS (config) #router ospf	Enter the Router OSPF mode
OcNOS (config-router) #network 1.1.1.1/32 area 0.0.0.0	Advertise loopback address in OSPF
OcNOS (config-router) #network 10.1.1.0/24 area 0.0.0.0	Advertise network address in OSPF
OcNOS (config-router) #exit	Exit from Router OSPF mode and enter into config mode
OcNOS (config) #router bgp 1	Enter into BGP router mode
OcNOS (config-router) #neighbor 2.2.2.2 remote-as 1	Specify a VTEP2 loopback IP address and remote-as defined
OcNOS (config-router) #neighbor 2.2.2.2 update-source 1.1.1.1	Configure update as loopback for VTEP2
OcNOS (config-router) #address-family l2vpn evpn	Enter into L2VPN EVPN address family mode
OcNOS (config-router-af) #neighbor 2.2.2.2 activate	Activate neighbor in L2VPN mode
OcNOS (config-router-af) #exit-address-family	Exit from Address family mode
OcNOS (config-router) #address-family ipv4 vrf vrf1	Enter into address-family mode for VRF1
OcNOS (config-router-af) #redistribute connected	Configure Redistribute connected
OcNOS (config-router-af) #exit-address-family	Exit from Address family mode
OcNOS (config-router) #exit	Exit from router BGP mode and enter into config mode

OcNOS(config)#nvo vxlan vtep-ip-global 1.1.1.1	Configure Source VTEP-IP-global configuration. Use loopback IP address
OcNOS(config)#nvo vxlan id 10 ingress-replication inner-vid-disabled	Configure VXLAN Network identifier with/without inner-vid-disabled configure and enter into VXLAN tenant mode
OcNOS(config-nvo)#vxlan host-reachability-protocol evpn-bgp vrfred	Assign VRF for EVPN-BGP to carry EVPN route
OcNOS(config-nvo)#evpn irb1	Configure IRB1 under VXLAN ID 10
OcNOS(config-nvo)#exit	Exit from VXLAN tenant mode and enter into configuration mode.
OcNOS(config)#nvo vxlan id 30 ingress-replication inner-vid-disabled	Configure VXLAN Network identifier with/without inner-vid-disabled configure and enter into VXLAN tenant mode
OcNOS(config-nvo)#vxlan host-reachability-protocol evpn-bgp vrfred	Assign VRF for EVPN-BGP to carry EVPN route
OcNOS(config-nvo)#evpn irb2	Configure IRB2 under VXLAN ID 30
OcNOS(config-nvo)#exit	Exit from VXLAN tenant mode and enter into configuration mode.
OcNOS(config)#nvo vxlan access-if port-vlan xe5 2	Enable port-VLAN mapping i.e. access port to outer-VLAN (SVLAN) - Multihomed access port
OcNOS(config-nvo-acc-if)#map vnid 10	Map VXLAN Identified to access-port for VXLAN
OcNOS(config-nvo-acc-if)#exit	Exit from VXLAN access-interface mode and enter into configuration mode
OcNOS(config)#commit	Commit the candidate configuration to the running configuration
OcNOS(config)#exit	Exit from configuration mode

ROUTER-2

OcNOS#configure terminal	Enter Configure mode.
OcNOS(config)#interface ce0	Enter Interface mode for ce0.
OcNOS(config-if)#ip address 10.1.1.1/24	Assign IP address on ce0 interface.
OcNOS(config-if)#exit	Exit Interface mode and return to Configure mode.
OcNOS(config)#interface xe13	Enter Interface mode for xe13.
OcNOS(config-if)#ip address 30.1.1.1/24	Assign IP address on xe13 interface.
OcNOS(config-if)#exit	Exit Interface mode and return to Configure mode.
OcNOS(config)#router ospf	Enter the Router OSPF mode
OcNOS(config-router)#network 10.1.1.0/24 area 0.0.0.0	Advertise network address in OSPF
OcNOS(config-router)#network 30.1.1.10/24 area 0.0.0.0	Advertise network address in OSPF
OcNOS(config-router)#exit	Exit from Router OSPF mode and enter into config mode
OcNOS(config)#commit	commit the candidate configuration to the running configuration
OcNOS(config)#exit	Exit from configuration mode

ROUTER-3

OcNOS#configure terminal	Enter Configure mode.
OcNOS (config)#interface lo	Enter Interface mode for loopback.
OcNOS (config-if)#ip address 2.2.2.2/32 secondary	Assign secondary IP address.
OcNOS (config-if)#exit	Exit Interface mode and return to Configure mode.
OcNOS (config)#nvo vxlan enable	Enable VXLAN
OcNOS (config)#nvo vxlan irb	Enable VXLAN IRB
OcNOS (config)#ip vrf vrf1	Create routing/forwarding instance with VRF1 name and enter into VRF mode
OcNOS (config-vrf)#rd 300:1	Assign RD value
OcNOS (config-vrf)#route-target both 200:1	Assign route target value
OcNOS (config-vrf)#ip dhcp relay uplink evpn	Configure the uplink interface as L3 VNI interface for specific VRF
OcNOS (config-vrf)#l3vni 45001	Configure L3VNI as 45001 for VRF1
OcNOS (config-vrf)#exit	Exit IP VRF mode
OcNOS (config)#mac vrf vrfred	Create MAC VRF instance with vrfred name and enter into VRF mode
OcNOS (config-vrf)#rd 2.2.2.1:1	Assign RD value
OcNOS (config-vrf)#route-target both 1.1.1.1:1	Assign route target value
OcNOS (config-vrf)#exit	Exit MAC VRF mode
OcNOS (config)#interface irb 2	Configure IRB interface
OcNOS (config-irb-if)#ip vrf forwarding vrf1	Configure IP VRF forwarding
OcNOS (config-irb-if)#ip address 40.40.40.2/ 24	Assign IP address on IRB interface.
OcNOS (config-irb-if)#exit	Exit IRB interface mode
OcNOS (config)#interface xe13	Enter Interface mode for xe13.
OcNOS (config-if)#ip address 30.1.1.2/24	Assign IP address on xe13 interface.
OcNOS (config-if)#exit	Exit Interface mode and return to Configure mode.
OcNOS (config)#interface xe19	Enter Interface mode for xe19.
OcNOS (config-if)#switchport	Configure interface as L2 interface
OcNOS (config-if)#exit	Exit Interface mode and return to Configure mode.
OcNOS (config)#router ospf	Enter the Router OSPF mode
OcNOS (config-router)#network 2.2.2.2/32 area 0.0.0.0	Advertise loopback address in OSPF
OcNOS (config-router)#network 30.1.1.0/24 area 0.0.0.0	Advertise network address in OSPF
OcNOS (config-router)#network 40.1.1.0/24 area 0.0.0.0	Advertise network address in OSPF
OcNOS (config-router)#exit	Exit from Router OSPF mode and enter into config mode
OcNOS (config)#router bgp 1	Enter into BGP router mode
OcNOS (config-router)#neighbor 1.1.1.1 remote-as 1	Specify a VTEP1 loopback IP address and remote-as defined

OcNOS (config-router) #neighbor 1.1.1.1 update-source 2.2.2.2	Configure update as loopback for VTEP1
OcNOS (config-router) #address-family l2vpn evpn	Enter into L2VPN EVPN address family mode
OcNOS (config-router-af) #neighbor 1.1.1.1 activate	Activate neighbor in L2VPN mode
OcNOS (config-router-af) #exit-address-family	Exit from Address family mode
OcNOS (config-router) #address-family ipv4 vrf vrf1	Enter into address-family mode for VRF1
OcNOS (config-router-af) #redistribute connected	Configure Redistribute connected
OcNOS (config-router-af) #exit-address-family	Exit from Address family mode
OcNOS (config-router) #exit	Exit from router BGP mode and enter into config mode
OcNOS (config) #nvo vxlan vtep-ip-global 2.2.2.2	Configure Source VTEP-IP-global configuration. Use loopback IP address
OcNOS (config) #nvo vxlan id 10 ingress- replication inner-vid-disabled	Configure VXLAN Network identifier with/without inner-vid- disabled configure and enter into VXLAN tenant mode
OcNOS (config-nvo) #vxlan host-reachability- protocol evpn-bgp vrfred	Assign VRF for EVPN-BGP to carry EVPN route
OcNOS (config-nvo) #exit	Exit from VXLAN tenant mode and enter into configuration mode.
OcNOS (config) #nvo vxlan id 20 ingress- replication inner-vid-disabled	Configure VXLAN Network identifier with/without inner-vid- disabled configure and enter into VXLAN tenant mode
OcNOS (config-nvo) #vxlan host-reachability- protocol evpn-bgp vrfred	Assign VRF for EVPN-BGP to carry EVPN route
OcNOS (config-nvo) #evpn irb2	Configure IRB2 under VXLAN ID 20
OcNOS (config-nvo) #exit	Exit from VXLAN tenant mode and enter into configuration mode.
OcNOS (config) #nvo vxlan access-if port xe19	Enable port mapping i.e. access port
OcNOS (config-nvo-acc-if) #map vnid 20	Map VXLAN Identified to access-port for VXLAN
OcNOS (config-nvo-acc-if) #exit	Exit from VXLAN access-interface mode and enter into configuration mode
OcNOS (config) #commit	Commit the candidate configuration to the running configuration
OcNOS (config) #exit	Exit from configuration mode

Validation

ROUTER-1

```

VTEP1#
!
nvo vxlan enable
!
nvo vxlan irb
!
nvo vxlan vtep-ip-global 1.1.1.1
!
nvo vxlan id 10 ingress-replication inner-vid-disabled
  vxlan host-reachability-protocol evpn-bgp vrfred

```

DHCP Relay Over IRB Interface

```
evpn irb1
!  
nvo vxlan id 30 ingress-replication inner-vid-disabled  
vxlan host-reachability-protocol evpn-bgp vrfred  
evpn irb2  
!  
nvo vxlan access-if port xe2  
map vnid 10  
!  
nvo vxlan access-if port-vlan xe5 2  
map vnid 10  
!
```

```
VTEP1#show ip dhcp relay  
DHCP relay service is Enabled.  
VRF Name: vrf1  
Option 82: Disabled  
DHCP Servers configured: 40.40.40.1
```

Interface	Uplink/Downlink
-----	-----
irb1	Downlink
evpn	uplink

Incoming DHCPv4 packets which already contain relay agent option are FORWARDED unchanged.

```
VTEP1#show nvo vxlan mac-table
```

```
=====
```

VXLAN MAC Entries								
=====								
VNID	Interface	VlanId	Vlan-RangeId	Inner-VlanId	Mac-Addr	VTEP-IP/ESI	Type	Status
AccessPortDesc								
10	xe5	2	----	----	0000.2837.ddf5	1.1.1.1	Dynamic Local	-----

10	irb1			b86a.97f9.85be	1.1.1.1		Static Local	-----
30	irb2			b86a.97f9.85be	1.1.1.1		Static Local	-----

```
Total number of entries are : 3
```

```
VTEP1#show nvo vxlan arp-cache  
VXLAN ARP-CACHE Information
```

```
=====
```

VNID	Ip-Addr	Mac-Addr	Type	Age-Out	Retries-Left
30	70.70.70.1	b86a.97f9.85be	Static Local	----	
10	11.1.1.1	b86a.97f9.85be	Static Local	----	
10	11.1.1.30	0000.2837.ddf5	Dynamic Local	----	

```
Total number of entries are 3
```

```
VTEP1#show nvo vxlan tunnel  
VXLAN Network tunnel Entries
```

Source	Destination	Status	Up/Down	Update
--------	-------------	--------	---------	--------

```
=====
1.1.1.1          2.2.2.2          Installed          01:51:11          01:51:11
```

Total number of entries are 1

ROUTER-2

```
VTEP2#show running-config nvo vxlan
```

```
!
nvo vxlan enable
!
nvo vxlan irb
!
nvo vxlan vtep-ip-global 2.2.2.2
!
nvo vxlan id 10 ingress-replication inner-vid-disabled
  vxlan host-reachability-protocol evpn-bgp vrfred
!
nvo vxlan id 20 ingress-replication inner-vid-disabled
  vxlan host-reachability-protocol evpn-bgp vrfred
  evpn irb2
!
nvo vxlan access-if port xe19
  map vnid 20
!
!
```

```
VTEP2#show nvo vxlan arp-cache
```

```
VXLAN ARP-CACHE Information
```

```
=====
```

VNID	Ip-Addr	Mac-Addr	Type	Age-Out	Retries-Left
20	40.40.40.2	b86a.9761.ea3d	Static	Local	----
20	40.40.40.1	0002.a54f.1577	Dynamic	Local	----
20	40.40.40.101	0000.2837.ddf3	Dynamic	Local	----
10	11.1.1.1	b86a.97f9.85be	Static	Remote	----
10	11.1.1.30	0000.2837.ddf6	Dynamic	Remote	----

Total number of entries are 5

```
VTEP2#show running-config dhcp
```

```
interface eth0
  ip address dhcp
!
!
```

```
ip vrf vrf1
  ip dhcp relay uplink evpn
```

CHAPTER 11 VXLAN-EVPN with IRB

Overview

An EVPN-based Integrated Routing and Bridging solution used for forwarding of intra-subnets and inter-subnets traffic. There are 2 modes of IRB.

Symmetric IRB

In this mode, both the ingress and egress VTEPs perform layer-2 and layer-3 lookups (switching and routing). In this case, a given VTEP needs to learn the ARP and MAC-address entries only for tenant systems (TSs) across the tenant VxLAN network belonging to VNIDs attached to that VTEP.

Asymmetric IRB

In this mode, the ingress VTEP perform layer-2 and layer-3 lookups and egress VTEPs perform layer-2 lookups only. The disadvantage of this mode is the need for each VTEP in the tenant network to be configured with all the VNIDs for that tenant irrespective of whether a given VTEP has TS attached for that VNID or not.

Three approaches are available to achieve IRB solution.

- Centralized Gateway
- Anycast Gateway
- Distributed Gateway

Topology

The procedures in this section use the topology in [Figure 11-12](#).

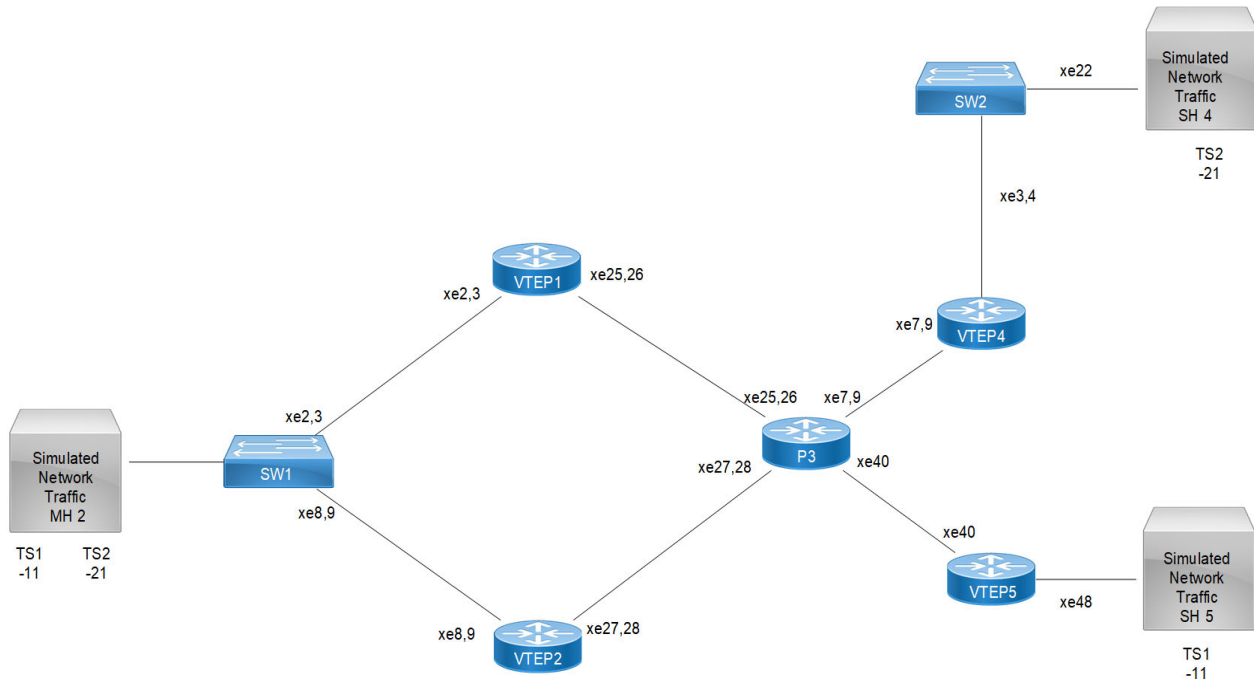


Figure 11-12: VxLAN EVPN IRB

Note: In the above topology TS1, TS2 are the tenant systems.

Base Configuration - L2 VXLAN

VTEP1

(Multi-homed group1) - Part of both Multi-homed with po1(MH2).

Generic configuration:

#configure terminal	Enter Configure mode.
(config)#evpn vxlan multihoming enable	Enable Multihoming, save configs and reboot the board for multihoming to be effective
(Config)#qos enable	Enabling QoS
(config)#commit	Commit the candidate configuration to running configuration and save config and reload board

Interface and loopback configuration:

(config)#interface po1	Enter Interface mode for po1 (MH2)
(config-if)#switchport	Make it L2 interface
(config-if)# evpn multi-homed system-mac 0000.0000.2222	Configure system MAC as ESI value for Lag (po1) interface. VTEP1 and VTEP2 should have same ESI value
(config-if)#exit	Exit Interface mode and return to Configure mode.
(config)#interface xe2	Enter Interface mode for xe2
(config-if)#channel-group 1 mode active	Make it member port of po1

(config-if)#exit	Exit Interface mode and return to Configure mode.
(config)#interface xe3	Enter Interface mode for xe3
(config-if)#channel-group 1 mode active	Make it member port of po1
(config-if)#exit	Exit Interface mode and return to Configure mode.
(config)#interface lo	Enter Interface mode for lo
(config-if)#ip address 1.1.1.1/32 secondary	Configure loopback IP address as 1.1.1.1 for VTEP1
(config-if)#exit	Exit Interface mode and return to Configure mode.
(config)#interface po2	Enter Interface mode for po2
(config-if)#exit	Exit Interface mode and return to Configure mode.
(config)#interface xe25	Enter Interface mode for xe25
(config-if)#channel-group 2 mode active	Make it member port of po2
(config-if)#exit	Exit Interface mode and return to Configure mode.
(config)#interface xe26	Enter Interface mode for xe26
(config-if)#channel-group 2 mode active	Make it member port of po2
(config-if)#exit	Exit Interface mode and return to Configure mode.
(config)#interface po2	Enter Interface mode for po2
(config-if)#ip address 100.11.11.1/24	Configure IP address as 100.11.11.1 on network side of Spine-P3
(config-if)#exit	Exit Interface mode and return to Configure mode.
(config)#commit	Commit the candidate configuration to running configuration and save config and reload board

OSPF configuration:

(config)#router ospf 100	Enter into router OSPF mode
(config-router)#ospf router-id 1.1.1.1	Configure router-id as 1.1.1.1 (lo IP address)
(config-router)#network 1.1.1.1/32 area 0.0.0.0	Add 1.1.1.1 (lo IP address) network into area 0
(config-router)#network 100.11.11.0/24 area 0.0.0.0	Add 100.11.11.0 (Spine-P3) network into area 0
(config-router)#bfd all-interfaces	Enabling BFD on all OSPF interface for fast convergence
(config-if)#exit	Exit Interface mode and return to Configure mode.
(config)#commit	Commit the candidate configuration to running configuration and save config and reload board

BGP configuration:

(Config)#router bgp 5000	Enter into Router BGP mode
(config-router)#bgp router-id 1.1.1.1	Configure router-id as 1.1.1.1 (lo IP address)
(config-router)#neighbor 2.2.2.2 remote-as 5000	Specify a VTEP2 loopback IP address and remote-as defined
(config-router)#neighbor 2.2.2.2 update-source lo	Configure update as loopback for VTEP2
(config-router)#neighbor 2.2.2.2 advertisement-interval 0	Configure advertisement-interval as 0 for fast convergence for VTEP2

VXLAN-EVPN with IRB

(config-router)#neighbor 4.4.4.4 remote-as 5000	Specify a VTEP4 loopback IP address and remote-as defined
(config-router)#neighbor 4.4.4.4 update-source lo	Configure update as loopback for VTEP4
(config-router)#neighbor 4.4.4.4 advertisement-interval 0	Configure advertisement-interval as 0 for fast convergence for VTEP4
(config-router)#neighbor 5.5.5.5 remote-as 5000	Specify a VTEP5 loopback IP address and remote-as defined
(config-router)#neighbor 5.5.5.5 update-source lo	Configure update as loopback for VTEP5
(config-router)#neighbor 5.5.5.5 advertisement-interval 0	Configure advertisement-interval as 0 for fast convergence for VTEP5
(config-router)#address-family l2vpn evpn	Enter into L2VPN EVPN address family mode
(config-router-af)#neighbor 2.2.2.2 activate	Activate 2.2.2.2(VTEP2) into L2VPN EVPN address family mode
(config-router-af)#neighbor 4.4.4.4 activate	Activate 3.3.3.3(VTEP4) into L2VPN EVPN address family mode
(config-router-af)#neighbor 5.5.5.5 activate	Activate 5.5.5.5(VTEP5) into L2VPN EVPN address family mode
(config-router-af)#exit-address-family	Exit from L2VPN address family mode
(config-router)#exit	Exit from Router BGP mode and enter into config mode
(config)#commit	Commit the candidate configuration to running configuration and save config and reload board

L2 MAC VRF Configuration:

(config)#mac vrf L2VRF1	Create MAC routing/forwarding instance with L2VRF1 name and enter into VRF mode
(config-vrf)#rd 1.1.1.1:11	Assign RD value
(config-vrf)#description MAC VRF RED	Give description to L2VRF1 as RED
(config-vrf)#route-target both 9.9.9.9:100	Assign route-target value for same for import and export. Should be same on all node for L2VRF1
(config-vrf)#exit	Exit from VRF mode
(config)#mac vrf L2VRF2	Create MAC routing/forwarding instance with L2VRF2 name and enter into VRF mode
(config-vrf)#rd 1.1.1.1:21	Assign RD value
(config-vrf)#route-target both 90.90.90.90:100	Assign route-target value for same for import and export
(config-vrf)#description MAC VRF BLUE	Give description to L2VRF2 as BLUE
(config-vrf)#exit	Exit from VRF mode
(config)#commit	Commit the candidate configuration to running configuration and save config and reload board

L2 VXLAN configuration:

(config)#nvo vxlan enable	Enable VXLAN
(config)#evpn esi hold-time 90	Configure ESI hold time to allow tunnel to come up at the time of VXLAN initialization before making the ESI up. It should be same on both VTEP1 and VTEP2
(config)#nvo vxlan vtep-ip-global 1.1.1.1	Configure Source vtep-ip-global configuration - Use loopback IP address
(config)#nvo vxlan id 101 ingress-replication inner-vid-disabled	Configure VXLAN Network identifier with/without inner-vid-disabled configure and enter into VXLAN tenant mode
(config-nvo)#vxlan host-reachability-protocol evpn-bgp L2VRF1	Assign VRF for EVPN-BGP to carry EVPN route
(config-nvo)# vni-name VNI-101	Configure VNI name as VNI-101
(config-nvo)#exit	Exit from VXLAN tenant mode and enter into configuration mode.
(config)#nvo vxlan id 201 ingress-replication inner-vid-disabled	Configure VXLAN Network identifier with/without inner-vid-disabled configure and enter into VXLAN tenant mode
(config-nvo)#vxlan host-reachability-protocol evpn-bgp L2VRF2	Assign VRF for EVPN-BGP to carry EVPN route
(config-nvo)# vni-name VNI-201	Configure VNI name as VNI-201
(config-nvo)#exit	Exit from VXLAN tenant mode and enter into configuration mode.
(config)#nvo vxlan access-if port-vlan po1 10	Enable port-VLAN mapping i.e. access port to outer-VLAN (SVLAN) - Multihomed access port
(config-nvo-acc-if)#map vnid 101	Map VXLAN Identified to access-port for VXLAN
(config-nvo-acc-if)# mac 0000.2222.1010 ip 11.11.11.51	Configure static MAC-IP
(config-nvo-acc-if)#exit	Exit from VXLAN access-interface mode and enter into configuration mode
(config)#nvo vxlan access-if port-vlan po1 20	Enable port-VLAN mapping i.e. access port to outer-VLAN (SVLAN) - Multihomed access port
(config-nvo-acc-if)#map vnid 201	Map VXLAN Identified to access-port for VXLAN
(config-nvo-acc-if)# mac 0000.2222.1020 ip 21.21.21.51	Configure static MAC-IP
(config-nvo-acc-if)#exit	Exit from VXLAN access-interface mode and enter into configuration mode
(config)#exit	Exit from configuration mode
(config)#commit	Commit the candidate configuration to running configuration and save config and reload board

VTEP2

(Multi-homed group1) - Part of both Multi-homed with po1(MH1).

Generic configuration:

#configure terminal	Enter Configure mode.
(config)#evpn vxlan multihoming enable	Enable Multihoming, save configs and reboot the board for multihoming to be effective

(Config)#qos enable	Enabling QoS
(config)#commit	Commit the candidate configuration to running configuration and save config and reload board

Interface and loopback configuration:

(config)#interface po1	Enter Interface mode for po1 (MH2)
(config-if)#switchport	Make it L2 interface
(config-if)# evpn multi-homed system-mac 0000.0000.2222	Configure system MAC as ESI value for Lag (po1) interface. VTEP1 and VTEP2 should have same ESI value
(config-if)#exit	Exit Interface mode and return to Configure mode.
(config)#interface xe8	Enter Interface mode for xe2
(config-if)#channel-group 1 mode active	Make it member port of po1
(config-if)#exit	Exit Interface mode and return to Configure mode.
(config)#interface xe9	Enter Interface mode for xe3
(config-if)#channel-group 1 mode active	Make it member port of po1
(config-if)#exit	Exit Interface mode and return to Configure mode.
(config)#interface lo	Enter Interface mode for lo
(config-if)#ip address 2.2.2.2/32 secondary	Configure loopback IP address as 2.2.2.2 for VTEP2
(config-if)#exit	Exit Interface mode and return to Configure mode.
(config)#interface po3	Enter Interface mode for po3
(config-if)#switchport	Configure po3 as L2 interface
(config-if)#exit	Exit Interface mode and return to Configure mode.
(config)#interface xe27	Enter Interface mode for xe27
(config-if)#channel-group 3 mode active	Make it member port of po3
(config-if)#exit	Exit Interface mode and return to Configure mode.
(config)#interface xe28	Enter Interface mode for xe28
(config-if)#channel-group 3 mode active	Make it member port of po3
(config-if)#exit	Exit Interface mode and return to Configure mode.
(config)# bridge 1 protocol rstp vlan-bridge	Configure bridge 1
(config)# vlan database	Enter into VLAN database mode
(config)#vlan 2 bridge 1 state enable	Configure VLAN 2 as part of bridge 1
(config)#interface po3	Enter Interface mode for po3
(config-if)# bridge-group 1	Configure bridge 1 for po3
(config-if)# switchport mode trunk	Switchport mode as trunk
(config-if)# switchport trunk allowed vlan add 2	Trunk allowed VLAN 2
(config-if)#exit	Exit Interface mode and return to Configure mode.
(config)#interface vlan1.2	Enter into SVI port VLAN1.2
(config-if)#ip address 100.12.12.1/24	Configure IP address as 100.12.12.1 on network side of Spine-P3

(config-if)#exit	Exit Interface mode and return to Configure mode.
(config)#commit	Commit the candidate configuration to running configuration and save config and reload board

OSPF configuration:

(config)#router ospf 100	Enter into router OSPF mode
(config-router)#ospf router-id 2.2.2.2	Configure router-id as 2.2.2.2 (lo IP address)
(config-router)#network 2.2.2.2/32 area 0.0.0.0	Add 2.2.2.2 (lo IP address) network into area 0
(config-router)#network 100.12.12.0/24 area 0.0.0.0	Add 100.12.12.0(Spine-P3) network into area 0
(config-router)#bfd all-interfaces	Enabling bfd on all ospf interface for fast convergence
(config-if)#exit	Exit Interface mode and return to Configure mode.

BGP configuration:

(Config)#router bgp 5000	Enter into Router BGP mode
(config-router)#bgp router-id 2.2.2.2	Configure router-id as 2.2.2.2 (lo IP address)
(config-router)#neighbor 1.1.1.1 remote-as 5000	Specify a VTEP1 loopback IP address and remote-as defined
(config-router)#neighbor 1.1.1.1 update-source lo	Configure update as loopback for VTEP1
(config-router)#neighbor 1.1.1.1 advertisement-interval 0	Configure advertisement-interval as 0 for fast convergence for VTEP1
(config-router)#neighbor 4.4.4.4 remote-as 5000	Specify a VTEP4 loopback IP address and remote-as defined
(config-router)#neighbor 4.4.4.4 update-source lo	Configure update as loopback for VTEP4
(config-router)#neighbor 4.4.4.4 advertisement-interval 0	Configure advertisement-interval as 0 for fast convergence for VTEP4
(config-router)#neighbor 5.5.5.5 remote-as 5000	Specify a VTEP5 loopback IP address and remote-as defined
(config-router)#neighbor 5.5.5.5 update-source lo	Configure update as loopback for VTEP5
(config-router)#neighbor 5.5.5.5 advertisement-interval 0	Configure advertisement-interval as 0 for fast convergence for VTEP5
(config-router)#address-family l2vpn evpn	Enter into L2VPN EVPN address family mode
(config-router-af)#neighbor 1.1.1.1 activate	Activate 1.1.1.1(VTEP1) into L2VPN EVPN address family mode
(config-router-af)#neighbor 4.4.4.4 activate	Activate 4.4.4.4(VTEP4) into L2VPN EVPN address family mode
(config-router-af)#neighbor 5.5.5.5 activate	Activate 5.5.5.5(VTEP5) into L2VPN EVPN address family mode
(config-router-af)#exit-address-family	Exit from L2VPN address family mode
(config-router)#exit	Exit from Router BGP mode and enter into config mode
(config)#commit	Commit the candidate configuration to running configuration and save config and reload board

VRF Configuration:

(config)#mac vrf L2VRF1	Create MAC routing/forwarding instance with L2VRF1 name and enter into VRF mode
(config-vrf)#rd 2.2.2.2:11	Assign RD value
(config-vrf)#description MAC VRF RED	Give description to L2VRF1 as RED
(config-vrf)#route-target both 9.9.9.9:100	Assign route-target value for same for import and export. Should be same on all node for L2VRF1
(config-vrf)#exit	Exit from VRF mode
(config)#mac vrf L2VRF2	Create MAC routing/forwarding instance with L2VRF2 name and enter into VRF mode
(config-vrf)#rd 2.2.2.2:21	Assign RD value
(config-vrf)#route-target both 90.90.90.90:100	Assign route-target value for same for import and export
(config-vrf)#description MAC VRF BLUE	Give description to L2VRF2 as BLUE
(config-vrf)#exit	Exit from VRF mode
(config)#commit	Commit the candidate configuration to running configuration and save config and reload board

VXLAN configuration:

(config)#nvo vxlan enable	Enable VXLAN
(config)#evpn esi hold-time 90	Configure ESI hold time to allow tunnel to come up at the time of vxlan initialization before making the ESI up. It should be same on both VTEP1 and VTEP2
(config)#nvo vxlan vtep-ip-global 2.2.2.2	Configure Source vtep-IP-global configuration - Use loopback IP address
(config)#nvo vxlan id 101 ingress-replication inner-vid-disabled	Configure VXLAN Network identifier with/without inner-vid-disabled configure and enter into VXLAN tenant mode
(config-nvo)#vxlan host-reachability-protocol evpn-bgp L2VRF1	Assign VRF for EVPN-BGP to carry EVPN route
(config-nvo)# vni-name VNI-101	Configure VNI name as VNI-101
(config-nvo)#exit	Exit from VXLAN tenant mode and enter into configuration mode.
(config)#nvo vxlan id 201 ingress-replication inner-vid-disabled	Configure VXLAN Network identifier with/without inner-vid-disabled configure and enter into VXLAN tenant mode
(config-nvo)#vxlan host-reachability-protocol evpn-bgp L2VRF2	Assign VRF for EVPN-BGP to carry EVPN route
(config-nvo)# vni-name VNI-201	Configure VNI name as VNI-201
(config-nvo)#exit	Exit from VXLAN tenant mode and enter into configuration mode.
(config)#nvo vxlan access-if port-vlan po1 10	Enable port-VLAN mapping i.e. access port to outer-vlan (SVLAN) - Multihomed access port
(config-nvo-acc-if)#map vnid 101	Map VXLAN Identified to access-port for VXLAN
(config-nvo-acc-if)# mac 0000.2222.1010 ip 11.11.11.51	Configure static MAC-IP
(config-nvo-acc-if)#exit	Exit from VXLAN access-interface mode and enter into configuration mode

(config)#nvo vxlan access-if port-vlan po1 20	Enable port-VLAN mapping i.e. access port to outer-VLAN (SVLAN) - Multihomed access port
(config-nvo-acc-if)#map vnid 201	Map VXLAN Identified to access-port for VXLAN
(config-nvo-acc-if)# mac 0000.2222.1020 ip 21.21.21.51	Configure static MAC-IP
(config-nvo-acc-if)#exit	Exit from VXLAN access-interface mode and enter into configuration mode
(config)#exit	Exit from configuration mode
(config)#commit	Commit the candidate configuration to running configuration and save config and reload board

VTEP4

Single Home -SH5.

Generic configuration:

#configure terminal	Enter Configure mode.
(Config)#qos enable	Enabling qos

Interface and loopback configuration:

(config)#interface sa1	Enter Interface mode for sa1 (SH5)
(config-if)#switchport	Make it L2 interface
(config-if)#exit	Exit Interface mode and return to Configure mode.
(config)#interface lo	Enter Interface mode for lo
(config-if)#ip address 4.4.4.4/32 secondary	Configure loopback IP address as 4.4.4.4 for VTEP4
(config-if)#exit	Exit Interface mode and return to Configure mode.
(config)#interface po4	Enter Interface mode for po4
(config-if)#exit	Exit Interface mode and return to Configure mode.
(config)#interface xe7	Enter Interface mode for xe7
(config-if)#channel-group 4 mode active	Make it member port of po4
(config-if)#exit	Exit Interface mode and return to Configure mode.
(config)#interface xe9	Enter Interface mode for xe9
(config-if)#channel-group 4 mode active	Make it member port of po4
(config-if)#exit	Exit Interface mode and return to Configure mode.
(config)#interface po4	Enter L3SI po4.4
(config-if)#ip address 100.14.14.1/24	Configure IP address as 100.14.14.1 on network side of Spine-P3
(config-if)#exit	Exit Interface mode and return to Configure mode.
(config)#commit	Commit the candidate configuration to running configuration and save config and reload board

OSPF configuration:

(config)#router ospf 100	Enter into router OSPF mode
(config-router)#ospf router-id 4.4.4.4	Configure router-id as 4.4.4.4 (lo IP address)
(config-router)#network 4.4.4.4/32 area 0.0.0.0	Add 4.4.4.4 (lo IP address) network into area 0
(config-router)#network 100.14.14.0/24 area 0.0.0.0	Add 100.14.14.0(Spine-P3) network into area 0
(config-router)#bfd all-interfaces	Enabling bfd on all ospf interface for fast convergence
(config-if)#exit	Exit Interface mode and return to Configure mode.
(config)#commit	Commit the candidate configuration to running configuration and save config and reload board

BGP configuration:

(Config)#router bgp 5000	Enter into Router BGP mode
(config-router)#bgp router-id 4.4.4.4	Configure router-id as 4.4.4.4 (lo IP address)
(config-router)#neighbor 1.1.1.1 remote-as 5000	Specify a VTEP1 loopback IP address and remote-as defined
(config-router)#neighbor 1.1.1.1 update-source lo	Configure update as loopback for VTEP1
(config-router)#neighbor 1.1.1.1 advertisement-interval 0	Configure advertisement-interval as 0 for fast convergence for VTEP1
(config-router)#neighbor 2.2.2.2 remote-as 5000	Specify a VTEP2 loopback IP address and remote-as defined
(config-router)#neighbor 2.2.2.2 update-source lo	Configure update as loopback for VTEP2
(config-router)#neighbor 2.2.2.2 advertisement-interval 0	Configure advertisement-interval as 0 for fast convergence for VTEP2
(config-router)#neighbor 5.5.5.5 remote-as 5000	Specify a VTEP5 loopback IP address and remote-as defined
(config-router)#neighbor 5.5.5.5 update-source lo	Configure update as loopback for VTEP5
(config-router)#neighbor 5.5.5.5 advertisement-interval 0	Configure advertisement-interval as 0 for fast convergence for VTEP5
(config-router)#address-family l2vpn evpn	Enter into L2VPN EVPN address family mode
(config-router-af)#neighbor 1.1.1.1 activate	Activate 1.1.1.1(VTEP1) into L2VPN EVPN address family mode
(config-router-af)#neighbor 2.2.2.2 activate	Activate 2.2.2.2(VTEP2) into L2VPN EVPN address family mode
(config-router-af)#neighbor 5.5.5.5 activate	Activate 5.5.5.5(VTEP5) into L2VPN EVPN address family mode
(config-router-af)#exit-address-family	Exit from L2VPN address family mode
(config-router)#exit	Exit from Router BGP mode and enter into config mode
(config)#commit	Commit the candidate configuration to running configuration and save config and reload board

VRF Configuration:

(config)#mac vrf L2VRF1	Create MAC routing/forwarding instance with L2VRF1 name and enter into VRF mode
(config-vrf)#rd 4.4.4.4:11	Assign RD value
(config-vrf)#description MAC VRF RED	Give description to L2VRF1 as RED
(config-vrf)#route-target both 9.9.9.9:100	Assign route-target value for same for import and export. Should be same on all node for L2VRF1
(config-vrf)#exit	Exit from VRF mode
(config)#mac vrf L2VRF2	Create MAC routing/forwarding instance with L2VRF2 name and enter into VRF mode
(config-vrf)#rd 4.4.4.4:21	Assign RD value
(config-vrf)#route-target both 90.90.90.90:100	Assign route-target value for same for import and export
(config-vrf)#description MAC VRF BLUE	Give description to L2VRF2 as BLUE
(config-vrf)#exit	Exit from VRF mode
(config)#commit	Commit the candidate configuration to running configuration and save config and reload board

VXLAN configuration:

(config)#nvo vxlan enable	Enable VXLAN
(config)#nvo vxlan vtep-ip-global 4.4.4.4	Configure Source vtep-IP-global configuration. Use loopback IP address
(config)#nvo vxlan id 101 ingress-replication inner-vid-disabled	Configure VXLAN Network identifier with/without inner-vid-disabled configure and enter into VXLAN tenant mode
(config-nvo)#vxlan host-reachability-protocol evpn-bgp L2VRF1	Assign VRF for EVPN-BGP to carry EVPN route
(config-nvo)# vni-name VNI-101	Configure VNI name as VNI-101
(config-nvo)#exit	Exit from VXLAN tenant mode and enter into configuration mode.
(config)#nvo vxlan id 201 ingress-replication inner-vid-disabled	Configure VXLAN Network identifier with/without inner-vid-disabled configure and enter into VXLAN tenant mode
(config-nvo)#vxlan host-reachability-protocol evpn-bgp L2VRF2	Assign VRF for EVPN-BGP to carry EVPN route
(config-nvo)# vni-name VNI-201	Configure VNI name as VNI-201
(config-nvo)#exit	Exit from VXLAN tenant mode and enter into configuration mode.
(config)# nvo vxlan access-if port-vlan sa1 20	Enable port-VLAN mapping i.e. access port to outer-vlan (SVLAN) - Multihomed access port
(config-nvo-acc-if)#map vnid 201	Map VXLAN Identified to access-port for VXLAN
(config-nvo-acc-if)# mac 0000.5555.1020 ip 21.21.21.101	Configure static MAC-IP
(config-nvo-acc-if)#exit	Exit from VXLAN access-interface mode and enter into configuration mode

(config) #exit	Exit from configuration mode
(config) #commit	Commit the candidate configuration to running configuration and save config and reload board

VTEP5

Single Home -SH3

Generic configuration:

#configure terminal	Enter Configure mode.
(Config) #qos enable	Enabling qos
(config) #commit	Commit the candidate configuration to running configuration and save config and reload board

Interface and loopback configuration:

(config) #interface xe48	Enter Interface mode for xe48 (SH3)
(config-if) #switchport	Make it L2 interface
(config-if) #exit	Exit Interface mode and return to Configure mode.
(config) #interface lo	Enter Interface mode for lo
(config-if) #ip address 5.5.5.5/32 secondary	Configure loopback IP address as 5.5.5.5 for VTEP5
(config-if) #exit	Exit Interface mode and return to Configure mode.
(config) #interface xe40	Enter interface mode
(config-if) #ip address 100.15.15.1/24	Configure IP address as 100.15.15.1 on network side of Spine-P3
(config-if) #exit	Exit Interface mode and return to Configure mode.
(config) #commit	Commit the candidate configuration to running configuration and save config and reload board

OSPF configuration:

(config) #router ospf 100	Enter into router OSPF mode
(config-router) #ospf router-id 5.5.5.5	Configure router-id as 5.5.5.5 (lo IP address)
(config-router) #network 5.5.5.5/32 area 0.0.0.0	Add 5.5.5.5 (lo IP address) network into area 0
(config-router) #network 100.15.15.0/24 area 0.0.0.0	Add 100.15.15.0(Spine-P3) network into area 0
(config-router) #bfd all-interfaces	Enabling bfd on all ospf interface for fast convergence
(config-if) #exit	Exit Interface mode and return to Configure mode.
(config) #commit	Commit the candidate configuration to running configuration and save config and reload board

BGP configuration:

(Config) #router bgp 5000	Enter into Router BGP mode
(config-router) #bgp router-id 5.5.5.5	Configure router-id as 5.5.5.5(lo IP address)

(config-router)#neighbor 1.1.1.1 remote-as 5000	Specify a VTEP1 loopback IP address and remote-as defined
(config-router)#neighbor 1.1.1.1 update-source lo	Configure update as loopback for VTEP1
(config-router)#neighbor 1.1.1.1 advertisement-interval 0	Configure advertisement-interval as 0 for fast convergence for VTEP1
(config-router)#neighbor 2.2.2.2 remote-as 5000	Specify a VTEP2 loopback IP address and remote-as defined
(config-router)#neighbor 2.2.2.2 update-source lo	Configure update as loopback for VTEP2
(config-router)#neighbor 2.2.2.2 advertisement-interval 0	Configure advertisement-interval as 0 for fast convergence for VTEP2
(config-router)#neighbor 4.4.4.4 remote-as 5000	Specify a VTEP4 loopback IP address and remote-as defined
(config-router)#neighbor 4.4.4.4 update-source lo	Configure update as loopback for VTEP4
(config-router)#neighbor 4.4.4.4 advertisement-interval 0	Configure advertisement-interval as 0 for fast convergence for VTEP4
(config-router)#address-family l2vpn evpn	Enter into L2VPN EVPN address family mode
(config-router-af)#neighbor 1.1.1.1 activate	Activate 1.1.1.1(VTEP1) into L2VPN EVPN address family mode
(config-router-af)#neighbor 2.2.2.2 activate	Activate 2.2.2.2(VTEP2) into L2VPN EVPN address family mode
(config-router-af)#neighbor 4.4.4.4 activate	Activate 4.4.4.4(VTEP4) into L2VPN EVPN address family mode
(config-router-af)#exit-address-family	Exit from L2VPN address family mode
(config-router)#exit	Exit from Router BGP mode and enter into config mode
(config)#commit	Commit the candidate configuration to running configuration and save config and reload board

VRF Configuration:

(config)#mac vrf L2VRF1	Create MAC routing/forwarding instance with L2VRF1 name and enter into VRF mode
(config-vrf)#rd 5.5.5.5:11	Assign RD value
(config-vrf)#description MAC VRF RED	Give description to L2VRF1 as RED
(config-vrf)#route-target both 9.9.9.9:100	Assign route-target value for same for import and export. Should be same on all node for L2VRF1
(config-vrf)#exit	Exit from VRF mode
(config)#mac vrf L2VRF2	Create MAC routing/forwarding instance with L2VRF2 name and enter into VRF mode
(config-vrf)#rd 5.5.5.5:21	Assign RD value
(config-vrf)#route-target both 90.90.90.90:100	Assign route-target value for same for import and export
(config-vrf)#description MAC VRF BLUE	Give description to L2VRF2 as BLUE
(config-vrf)#exit	Exit from VRF mode
(config)#commit	Commit the candidate configuration to running configuration and save config and reload board

VXLAN configuration:

(config)#nvo vxlan enable	Enable VXLAN
(config)#nvo vxlan vtep-ip-global 5.5.5.5	Configure Source vtep-IP-global configuration. Use loopback IP address
(config)#nvo vxlan id 101 ingress-replication inner-vid-disabled	Configure VXLAN Network identifier with/without inner-vid-disabled configure and enter into VXLAN tenant mode
(config-nvo)#vxlan host-reachability-protocol evpn-bgp L2VRF1	Assign VRF for EVPN-BGP to carry EVPN route
(config-nvo)# vni-name VNI-101	Configure VNI name as VNI-101
(config-nvo)#exit	Exit from VXLAN tenant mode and enter into configuration mode.
(config)#nvo vxlan id 201 ingress-replication inner-vid-disabled	Configure VXLAN Network identifier with/without inner-vid-disabled configure and enter into VXLAN tenant mode
(config-nvo)#vxlan host-reachability-protocol evpn-bgp L2VRF2	Assign vrf for EVPN-BGP to carry EVPN route
(config-nvo)# vni-name VNI-201	Configure VNI name as VNI-201
(config-nvo)#exit	Exit from VXLAN tenant mode and enter into configuration mode.
(config)# nvo vxlan access-if port-vlan xe48 10	Enable port-VLAN mapping i.e. access port to outer-vlan (SVLAN) - Multihomed access port
(config-nvo-acc-if)#map vnid 101	Map VXLAN Identified to access-port for VXLAN
(config-nvo-acc-if)# mac 0000.4444.1010 ip 11.11.11.201	Configure static MAC-IP
(config-nvo-acc-if)#exit	Exit from VXLAN access-interface mode and enter into configuration mode
(config)#exit	Exit from configuration mode
(config)#commit	Commit the candidate configuration to running configuration and save config and reload board

Switch1 (MH2)

Multihomed to 2-VTEPs (VTEP1 and VTEP2). It acts as Tenant system for VLAN1.20.

#configure terminal	Enter Configure mode.
(config)# bridge 1 protocol rstp vlan-bridge	Configure RSTP VLAN bridge
(config)# vlan database	Enter into VLAN database mode
(config)#vlan 2-20 bridge 1 state enable	Configure VLANs from 2-20 and associate with bridge 1
(config)#interface xe7	Enter Interface mode for xe7
(config-if)#switchport	Make as L2 port by configuring switchport
(config-if)#bridge-group 1	Associate bridge 1 into interface
(config-if)# bridge-group 1 spanning-tree disable	Configure interface as STP disable
(config-if)# switchport mode trunk	Mode as trunk
(config-if)# switchport trunk allowed vlan add 2,10,20	Trunk allowed VLAN as 2.10.20
(config-if)#switchport trunk native vlan 2	Native VLAN as 2

(config-if)#exit	Exit Interface mode and return to Configure mode.
(config)#interface po1	Enter Interface mode for po1
(config-if)#switchport	Make po1 as L2 port by configuring switchport
(config-if)#bridge-group 1	Associate po1 to bridge 1
(config-if)# bridge-group 1 spanning-tree disable	Configure po1 as STP disable
(config-if)# switchport mode trunk	Mode as trunk
(config-if)# switchport trunk allowed vlan add 2,10,20	Trunk allowed VLAN as 2.10.20
(config-if)#switchport trunk native vlan 2	Native VLAN as 2
(config-if)#exit	Exit Interface mode and return to Configure mode.
(config)#interface xe3	Enter Interface mode for xe3
(config-if)#channel-group 1 mode active	Make it member port of po1
(config)#interface xe4	Enter Interface mode for xe4
(config-if)#channel-group 1 mode active	Make it member port of po1
(config)#exit	Exit from configuration mode
(config)#interface xe9	Enter Interface mode for xe9
(config-if)#channel-group 1 mode active	Make it member port of po1
(config)#interface xe10	Enter Interface mode for xe10
(config-if)#channel-group 1 mode active	Make it member port of po1
(config)#exit	Exit from configuration mode
(config)#interface vlan1.20	Enter Interface mode for VLAN1.20
(config-if)# ip address 21.21.21.2/24	Configure IP address
(config-if)#ipv6 address 21:21::21:2/48	Configure IPv6 address
(config)#exit	Exit from configuration mode
(config)#commit	Commit the candidate configuration to running configuration and save config and reload board

Switch2 (SH5)

#configure terminal	Enter Configure mode.
(config)# bridge 1 protocol rstp vlan-bridge	Configure RSTP VLAN bridge
(config)# vlan database	
(config)#vlan 2-20 bridge 1 state enable	Configure VLANs from 2-20 and associate with bridge 1
(config)#interface xe22	Enter Interface mode for xe22
(config-if)#switchport	Make xe22 as L2 port by configuring switchport
(config-if)#bridge-group 1	Associate xe22 to bridge 1
(config-if)# bridge-group 1 spanning-tree disable	Configure xe22 as STP disable
(config-if)# switchport mode trunk	Mode as trunk
(config-if)# switchport trunk allowed vlan add 6,10,20	Trunk allowed VLAN as 6,.10 &.20
(config-if)#switchport trunk native vlan 6	Native VLAN as 6

VXLAN-EVPN with IRB

(config-if)#exit	Exit Interface mode and return to Configure mode.
(config)#interface sa1	Enter Interface mode for sa11
(config-if)#switchport	Make sa1 as L2 port by configuring switchport
(config-if)#bridge-group 1	Associate sa1 to bridge 1
(config-if)# bridge-group 1 spanning-tree disable	Configure sa1 as STP disable
(config-if)# switchport mode trunk	Mode as trunk
(config-if)# switchport trunk allowed vlan add 6,10,20	Trunk allowed VLAN as 2,.10.& 20
(config-if)#switchport trunk native vlan 6	Native VLAN as 6
(config-if)#exit	Exit Interface mode and return to Configure mode.
(config)#interface xe3	Enter Interface mode for xe3
(config-if)# static-channel-group 1	Make it member port of sa1
(config)#interface xe4	Enter Interface mode for xe4
(config-if)# static-channel-group 1	Make it member port of sa1
(config)#exit	Exit from configuration mode
(config)#interface vlan1.20	Enter Interface mode for VLAN1.20
(config-if)# ip address 21.21.21.3/24	Configure IP address
(config-if)#ipv6 address 21:21::21:3/48	Configure IPv6 address
(config)#exit	Exit from configuration mode
(config)#commit	Commit the candidate configuration to running configuration and save config and reload board

Spine-P3

Spine node where all VTEPs are connected.

Generic configuration:

#configure terminal	Enter Configure mode.
(Config)#qos enable	Enabling qos
(config)#commit	Commit the candidate configuration to running configuration and save config and reload board

Interface and loopback configuration:

(config)#interface lo	Enter Interface mode for lo
(config-if)#ip address 100.100.100.100/32 secondary	Configure loopback IP address as 100.100.100.100 for Spine-P3
(config-if)#exit	Exit Interface mode and return to Configure mode.
(config)#interface po2	Enter Interface mode for po2
(config-if)#exit	Exit Interface mode and return to Configure mode.
(config)#interface xe25	Enter Interface mode for xe25
(config-if)#channel-group 2 mode active	Make it member port of po2
(config-if)#exit	Exit Interface mode and return to Configure mode.

(config)#interface xe26	Enter Interface mode for xe26
(config-if)#channel-group 2 mode active	Make it member port of po3
(config-if)#exit	Exit Interface mode and return to Configure mode.
(config)#interface po2	Enter Interface mode for po2
(config-if)#ip address 100.11.11.2/24	Configure IP address as 100.11.11.2 on network side of VTEP1
(config-if)#exit	Exit Interface mode and return to Configure mode.
(config)#interface po3	Enter Interface mode for po3
(config)#i switchport	Configure po3 as L2 interface
(config-if)#exit	Exit Interface mode and return to Configure mode.
(config)#interface xe27	Enter Interface mode for xe27
(config-if)#channel-group 3 mode active	Make it member port of po3
(config-if)#exit	Exit Interface mode and return to Configure mode.
(config)#interface xe28	Enter Interface mode for xe28
(config-if)#channel-group 3 mode active	Make it member port of po3
(config-if)#exit	Exit Interface mode and return to Configure mode.
(config)# bridge 1 protocol rstp vlan-bridge	Configure bridge 1
(config)# vlan database	Enter into VLAN database mode
(config)#vlan 2 bridge 1 state enable	Configure VLAN 2 as part of bridge 1
(config)#interface po3	Enter Interface mode for po3
(config-if)# bridge-group 1	Configure bridge 1 for po3
(config-if)# switchport mode trunk	Switchport mode as trunk
(config-if)# switchport trunk allowed vlan add 2	Trunk allowed VLAN 2
(config-if)#exit	Exit Interface mode and return to Configure mode.
(config)#interface vlan1.2	Enter into SVI port VLAN1.2
(config-if)#ip address 100.12.12.2/24	Configure IP address as 100.12.12.2 on network side of VTEP2
(config-if)#exit	Exit Interface mode and return to Configure mode.
(config)#interface po4	Enter Interface mode for po4
(config-if)#exit	Exit Interface mode and return to Configure mode.
(config)#interface xe7	Enter Interface mode for xe7
(config-if)#channel-group 4 mode active	Make it member port of po4
(config-if)#exit	Exit Interface mode and return to Configure mode.
(config)#interface xe9	Enter Interface mode for xe9
(config-if)#channel-group 4 mode active	Make it member port of po4
(config-if)#exit	Exit Interface mode and return to Configure mode.
(config)#interface po4	Enter L3SI po4.4
(config-if)#ip address 100.14.14.2/24	Configure IP address as 100.14.14.12 on network side of VTEP4
(config-if)#exit	Exit Interface mode and return to Configure mode.
(config)#interface xe40	Enter interface mode

(config-if)#ip address 100.15.15.1/24	Configure IP address as 100.15.15.1 on network side of VTEP5
(config-if)#exit	Exit Interface mode and return to Configure mode.
(config)#commit	Commit the candidate configuration to running configuration and save config and reload board

OSPF configuration:

(config)#router ospf 100	Enter into router OSPF mode
(config-router)#ospf router-id 100.100.100.100	Configure router-id as 100.100.100.100 (lo IP address)
(config-router)#network 100.100.100.100/32 area 0.0.0.0	Add 100.100.100.100 (lo IP address) network into area 0
(config-router)#network 100.11.11.0/24 area 0.0.0.0	Add 100.11.11.0 (VTEP1) network into area 0
(config-router)#network 100.12.12.0/24 area 0.0.0.0	Add 100.12.12.0 (VTEP2) network into area 0
(config-router)#network 100.14.14.0/24 area 0.0.0.0	Add 100.14.14.0 (VTEP4) network into area 0
(config-router)#network 100.15.15.0/24 area 0.0.0.0	Add 100.15.15.0 (VTEP5) network into area 0
(config-router)#bfd all-interfaces	Enabling bfd on all ospf interface for fast convergence
(config-if)#exit	Exit Interface mode and return to Configure mode.
(config)#commit	Commit the candidate configuration to running configuration and save config and reload board

Centralized Gateway

In Centralized gateway approach, when two TS belonging to two different subnets connected to the same/different VTEP node, wanted to communicate with each other, their traffic needed to be back hauled from the VTEP node to the centralized gateway node where inter- subnet switching is performed and then back to the VTEP node.

IRB Configuration for Centralized Gateway

Configure from Base Configuration-L2 VXLAN section, then configure below commands for centralized gateway approach.

VTEP5

(config)#nvo vxlan irb	Enable VXLAN IRB
(config)#commit	Commit the candidate configuration to running configuration and save config and reload board
(config)#ip vrf L3VRF1	Create MAC routing/forwarding instance with L3VRF1 name and enter into VRF mode
(config-vrf)#rd 51000:11	Assign RD value
(config-vrf)# route-target both 100:100	Assign route-target value for same for import and export.

(config-vrf)# l3vni 1000	Configure L3VNI as 1000 for L3VRF1
(config-vrf)#exit	Exit from VRF mode
(config)# interface irb1001	Configure IRB interface 1001
(config-if)#ip vrf forwarding L3VRF1	Configure L3VRF1
(config-if)#ip address 11.11.11.1/24	Configure IP address
(config-if)#ipv6 address 11:11::11:1/48	Configure IPv6 address
(config-if)#exit	Exit from interface config mode
(config)# interface irb2001	Configure IRB interface 2001
(config-if)#ip vrf forwarding L3VRF1	Configure L3VRF1
(config-if)#ip address 21.21.21.1/24	Configure IP address
(config-if)#ipv6 address 21:21::21:1/48	Configure IPv6 address
(config-if)#exit	Exit from interface config mode
(config)#commit	Commit the candidate configuration to running configuration and save config and reload board
(config)#router bgp 5000	Enter into BGP router mode
(config-router)#address-family ipv4 vrf L3VRF1	Enter into address-family mode for L3VRF1
(config-router-af)#redistribute connected	Redistribute connected
(config-router-af)#exit-address-family	Exit from address-family
(config)# nvo vxlan id 101 ingress-replication inner-vid-disabled	Configure VXLAN Network identifier with/without inner-vid-disabled configure and enter into VXLAN tenant mode
(config-nvo)#vxlan host-reachability-protocol evpn-bgp L2VRF1	Assign VRF for EVPN-BGP to carry EVPN route
(config-nvo)# evpn irb1001	Configure IRB1001 under VXLAN ID 101
(config-nvo)#exit	Exit from VXLAN tenant mode and enter into configuration mode.
(config)#nvo vxlan id 201 ingress-replication inner-vid-disabled	Configure VXLAN Network identifier with/without inner-vid-disabled configure and enter into VXLAN tenant mode
(config-nvo)#vxlan host-reachability-protocol evpn-bgp L2VRF2	Assign VRF for EVPN-BGP to carry EVPN route
(config-nvo)# evpn irb2001	Configure IRB2001 under VXLAN ID 201
(config-nvo)#exit	Exit from VXLAN tenant mode and enter into configuration mode.
(config)#commit	Commit the candidate configuration to running configuration and save config and reload board

Validation

VTEP5

TB2-VTEP5#show nvo vxlan tunnel

VXLAN Network tunnel Entries

Source	Destination	Status	Up/Down	Update
5.5.5.5	2.2.2.2	Installed	00:26:30	00:26:30
5.5.5.5	4.4.4.4	Installed	00:26:30	00:26:30
5.5.5.5	1.1.1.1	Installed	00:26:30	00:26:30

Total number of entries are 3

VXLAN-EVPN with IRB

TB2-VTEP5#show nvo vxlan

VXLAN Information

=====

Codes: NW - Network Port
AC - Access Port
(u) - Untagged

VNID	VNI-Name	VNI-Type	Type	Interface	ESI	VLAN	DF-Status	Src-Addr	Dst-Addr
101	VNI-101	L2	NW	----	----	----	----	5.5.5.5	2.2.2.2
101	VNI-101	L2	NW	----	----	----	----	5.5.5.5	4.4.4.4
101	VNI-101	L2	NW	----	----	----	----	5.5.5.5	1.1.1.1
101	VNI-101	--	AC	xe48	---	10	----	----	----
201	VNI-201	L2	NW	----	----	----	----	5.5.5.5	2.2.2.2
201	VNI-201	L2	NW	----	----	----	----	5.5.5.5	4.4.4.4
201	VNI-201	L2	NW	----	----	----	----	5.5.5.5	1.1.1.1

Total number of entries are 7

TB2-VTEP5#show nvo vxlan arp-cache

VXLAN ARP-CACHE Information

=====

VNID	Ip-Addr	Mac-Addr	Type	Age-Out	Retries-Left
201	21.21.21.51	0000.2222.1020	Static Remote	----	----
201	21.21.21.1	3c2c.99d6.167a	Static Local	----	----
201	21.21.21.101	0000.4444.1020	Static Remote	----	----
101	11.11.11.51	0000.2222.1010	Static Remote	----	----
101	11.11.11.1	3c2c.99d6.167a	Static Local	----	----
101	11.11.11.201	0000.5555.1010	Static Local	----	----

Total number of entries are 6

TB2-VTEP5#show nvo vxlan nd-cache

VXLAN ND-CACHE Information

=====

VNID	Ip-Addr	Mac-Addr	Type	Age-Out	Retries-Left
201	21:21::21:1	3c2c.99d6.167a	Static Local	----	----
101	11:11::11:1	3c2c.99d6.167a	Static Local	----	----

Total number of entries are 2

TB2-VTEP5#show nvo vxlan l3vni-map

L3VNI L2VNI IRB-interface

=====

1000	101	irb1001
1000	201	irb2001

TB2-VTEP5#show ip route vrf L3VRF1

Codes: K - kernel, C - connected, S - static, R - RIP, B - BGP

O - OSPF, IA - OSPF inter area

N1 - OSPF NSSA external type 1, N2 - OSPF NSSA external type 2

E1 - OSPF external type 1, E2 - OSPF external type 2

i - IS-IS, L1 - IS-IS level-1, L2 - IS-IS level-2,

ia - IS-IS inter area, E - EVPN,

v - vrf leaked

* - candidate default

IP Route Table for VRF "L3VRF1"

C	11.11.11.0/24	is directly connected, irb1001, 00:27:00
C	21.21.21.0/24	is directly connected, irb2001, 00:26:58
C	127.0.0.0/8	is directly connected, lo.L3VRF1, 00:32:53

Gateway of last resort is not set

TB2-VTEP5#show ipv6 route vrf L3VRF1

IPv6 Routing Table

Codes: K - kernel route, C - connected, S - static, R - RIP, O - OSPF,

IA - OSPF inter area, E1 - OSPF external type 1,

E2 - OSPF external type 2, E - EVPN N1 - OSPF NSSA external type 1,

N2 - OSPF NSSA external type 2, i - IS-IS, B - BGP

Timers: Uptime

IP Route Table for VRF "L3VRF1"

C	:::1/128	via ::, lo.L3VRF1, 00:32:53
C	11:11::/48	via ::, irb1001, 00:27:00
C	21:21::/48	via ::, irb2001, 00:26:58

C fe80::/64 via ::, irb2001, 00:04:38
 TB2-VTEP5#show ip route summary

 IP routing table name is Default-IP-Routing-Table(0)

IP routing table maximum-paths : 8
 Total number of IPv4 routes : 12
 Total number of IPv4 paths : 12
 Pending routes (due to route max reached): 0
 Route Source Networks
 connected 3
 ospf 9
 Total 12
 FIB 12

ECMP statistics (active in ASIC):
 Total number of IPv4 ECMP routes : 0
 Total number of IPv4 ECMP paths : 0
 TB2-VTEP5#show ipv6 route summary

 IPv6 routing table name is Default-IPv6-Routing-Table(0)

IPv6 routing table maximum-paths : 8
 Total number of IPv6 routes : 2
 Total number of IPv6 paths : 2
 Pending routes (due to route max reached): 0
 Route Source Networks
 connected 2
 Total 2
 FIB 2

ECMP statistics (active in ASIC):
 Total number of IPv6 ECMP routes : 0
 Total number of IPv6 ECMP paths : 0
 TB2-VTEP5#show bgp l2vpn evpn

BGP table version is 11, local router ID is 5.5.5.5
 Status codes: s suppressed, d damped, h history, * valid, > best, i - internal,
 l - labeled, S Stale
 Origin codes: i - IGP, e - EGP, ? - incomplete

[EVPN route type]:[ESI]:[VNID]:[relevent route informantion]
 1 - Ethernet Auto-discovery Route
 2 - MAC/IP Route
 3 - Inclusive Multicast Route
 4 - Ethernet Segment Route
 5 - Prefix Route

Network	Next Hop	Metric	LocPrf	Weight	Path	Peer	Encap
RD[1.1.1.1:1]							
*>i [1]:[00:00:00:00:00:22:22:00:00:00]:[4294967295]:[0]	1.1.1.1	0	100	0	i 1.1.1.1		VXLAN
*>i [4]:[00:00:00:00:00:22:22:00:00:00]:[32,1.1.1.1]	1.1.1.1	0	100	0	i 1.1.1.1		VXLAN
RD[1.1.1.1:11]							
*>i [1]:[00:00:00:00:00:22:22:00:00:00]:[101]:[101]	1.1.1.1	0	100	0	i 1.1.1.1		VXLAN
*>i [2]:[00:00:00:00:00:22:22:00:00:00]:[101]:[48,0000:2222:1010]:[32,11.11.11.51]:[101]	1.1.1.1	0	100	0	i 1.1.1.1		VXLAN
*>i [3]:[101]:[32,1.1.1.1]	1.1.1.1	0	100	0	i 1.1.1.1		VXLAN
RD[1.1.1.1:21]							
*>i [1]:[00:00:00:00:00:22:22:00:00:00]:[201]:[201]	1.1.1.1	0	100	0	i 1.1.1.1		VXLAN
*>i [2]:[00:00:00:00:00:22:22:00:00:00]:[201]:[48,0000:2222:1020]:[32,21.21.21.51]:[201]	1.1.1.1	0	100	0	i 1.1.1.1		VXLAN
*>i [3]:[201]:[32,1.1.1.1]	1.1.1.1	0	100	0	i 1.1.1.1		VXLAN

VXLAN-EVPN with IRB

```

RD[2.2.2.2:1]
*>i [1]:[00:00:00:00:00:22:22:00:00:00]:[4294967295]:[0]
      2.2.2.2          0          100          0          i 2.2.2.2          VXLAN
*>i [4]:[00:00:00:00:00:22:22:00:00:00]:[32,2.2.2.2]
      2.2.2.2          0          100          0          i 2.2.2.2          VXLAN

RD[2.2.2.2:11]
*>i [1]:[00:00:00:00:00:22:22:00:00:00]:[101]:[101]
      2.2.2.2          0          100          0          i 2.2.2.2          VXLAN
*>i [2]:[00:00:00:00:00:22:22:00:00:00]:[101]:[48,0000:2222:1010]:[32,11.11.11.51]:[101]
      2.2.2.2          0          100          0          i 2.2.2.2          VXLAN
*>i [3]:[101]:[32,2.2.2.2]
      2.2.2.2          0          100          0          i 2.2.2.2          VXLAN

RD[2.2.2.2:21]
*>i [1]:[00:00:00:00:00:22:22:00:00:00]:[201]:[201]
      2.2.2.2          0          100          0          i 2.2.2.2          VXLAN
*>i [2]:[00:00:00:00:00:22:22:00:00:00]:[201]:[48,0000:2222:1020]:[32,21.21.21.51]:[201]
      2.2.2.2          0          100          0          i 2.2.2.2          VXLAN
*>i [3]:[201]:[32,2.2.2.2]
      2.2.2.2          0          100          0          i 2.2.2.2          VXLAN

RD[4.4.4.4:11]
*>i [3]:[101]:[32,4.4.4.4]
      4.4.4.4          0          100          0          i 4.4.4.4          VXLAN

RD[4.4.4.4:21]
*>i [2]:[0]:[201]:[48,0000:4444:1020]:[32,21.21.21.101]:[201]
      4.4.4.4          0          100          0          i 4.4.4.4          VXLAN
*>i [3]:[201]:[32,4.4.4.4]
      4.4.4.4          0          100          0          i 4.4.4.4          VXLAN

RD[5.5.5.5:11] VRF[L2VRF1]:
* i [1]:[00:00:00:00:00:22:22:00:00:00]:[101]:[101]
      1.1.1.1          0          100          0          i 1.1.1.1          VXLAN
* i [1]:[00:00:00:00:00:22:22:00:00:00]:[4294967295]:[0]
      2.2.2.2          0          100          0          i 2.2.2.2          VXLAN
* i [1]:[00:00:00:00:00:22:22:00:00:00]:[4294967295]:[0]
      1.1.1.1          0          100          0          i 1.1.1.1          VXLAN
* i [1]:[00:00:00:00:00:22:22:00:00:00]:[4294967295]:[0]
      2.2.2.2          0          100          0          i 2.2.2.2          VXLAN
* i [2]:[00:00:00:00:00:22:22:00:00:00]:[101]:[48,0000:2222:1010]:[32,11.11.11.51]:[101]
      1.1.1.1          0          100          0          i 1.1.1.1          VXLAN
* i [2]:[00:00:00:00:00:22:22:00:00:00]:[101]:[48,0000:2222:1010]:[32,11.11.11.51]:[101]
      2.2.2.2          0          100          0          i 2.2.2.2          VXLAN
*> [2]:[0]:[101]:[48,0000:5555:1010]:[32,11.11.11.201]:[101]
      5.5.5.5          0          100          32768      i -----          VXLAN
*> [2]:[0]:[101]:[48,3c2c:99d6:167a]:[32,11.11.11.1]:[101]
      5.5.5.5          0          100          32768      i -----          VXLAN
*> [2]:[0]:[101]:[48,3c2c:99d6:167a]:[128,11:11::11:1]:[101]
      5.5.5.5          0          100          32768      i -----          VXLAN
* i [3]:[101]:[32,1.1.1.1]
      1.1.1.1          0          100          0          i 1.1.1.1          VXLAN
* i [3]:[101]:[32,2.2.2.2]
      2.2.2.2          0          100          0          i 2.2.2.2          VXLAN
* i [3]:[101]:[32,4.4.4.4]
      4.4.4.4          0          100          0          i 4.4.4.4          VXLAN
*> [3]:[101]:[32,5.5.5.5]
      5.5.5.5          0          100          32768      i -----          VXLAN

RD[5.5.5.5:21] VRF[L2VRF2]:
* i [1]:[00:00:00:00:00:22:22:00:00:00]:[201]:[201]
      1.1.1.1          0          100          0          i 1.1.1.1          VXLAN
* i [1]:[00:00:00:00:00:22:22:00:00:00]:[4294967295]:[0]
      2.2.2.2          0          100          0          i 2.2.2.2          VXLAN
* i [1]:[00:00:00:00:00:22:22:00:00:00]:[4294967295]:[0]
      1.1.1.1          0          100          0          i 1.1.1.1          VXLAN
* i [1]:[00:00:00:00:00:22:22:00:00:00]:[4294967295]:[0]
      2.2.2.2          0          100          0          i 2.2.2.2          VXLAN
* i [2]:[00:00:00:00:00:22:22:00:00:00]:[201]:[48,0000:2222:1020]:[32,21.21.21.51]:[201]
      1.1.1.1          0          100          0          i 1.1.1.1          VXLAN
* i [2]:[00:00:00:00:00:22:22:00:00:00]:[201]:[48,0000:2222:1020]:[32,21.21.21.51]:[201]
      2.2.2.2          0          100          0          i 2.2.2.2          VXLAN
* i [2]:[0]:[201]:[48,0000:4444:1020]:[32,21.21.21.101]:[201]
      4.4.4.4          0          100          0          i 4.4.4.4          VXLAN
*> [2]:[0]:[201]:[48,3c2c:99d6:167a]:[32,21.21.21.1]:[201]
      5.5.5.5          0          100          32768      i -----          VXLAN
*> [2]:[0]:[201]:[48,3c2c:99d6:167a]:[128,21:21::21:1]:[201]
      5.5.5.5          0          100          32768      i -----          VXLAN

```

```

* i [3]:[201]:[32,1.1.1.1]
      1.1.1.1          0      100      0      i  1.1.1.1      VXLAN
* i [3]:[201]:[32,2.2.2.2]
      2.2.2.2          0      100      0      i  2.2.2.2      VXLAN
* i [3]:[201]:[32,4.4.4.4]
      4.4.4.4          0      100      0      i  4.4.4.4      VXLAN
*> [3]:[201]:[32,5.5.5.5]
      5.5.5.5          0      100      32768  i  -----      VXLAN

```

Total number of prefixes 39
TB2-VTEP5#

Anycast Gateway

For today's large multi-tenant data center, centralized L3 gateway scheme is very inefficient and sometimes impractical. In order to overcome the drawback of centralized L3GW approach, anycast mode is used.

In Anycast gateway approach, all the VTEPs acts as default gateway for all the VNIDs. We will configure same anycast MAC in all VTEPs.

IRB Configuration for Anycast

Configure from Base Configuration-L2 VXLAN section, then configure below commands for Anycast gateway approach.

VTEP1

(config)#nvo vxlan irb	Enable VXLAN IRB
(config)#commit	Commit the candidate configuration to running configuration and save config and reload board
(config)#ip vrf L3VRF1	Create MAC routing/forwarding instance with L3VRF1 name and enter into VRF mode
(config-vrf)#rd 11000:11	Assign RD value
(config-vrf)# route-target both 100:100	Assign route-target value for same for import and export.
(config-vrf)# l3vni 1000	Configure L3VNI as 1000 for L3VRF1
(config-vrf)#exit	Exit from VRF mode
(config)# evpn irb-forwarding anycast-gateway-mac 0000.0000.1111	Configure anycast MAC address
(config)# interface irb1001	Configure IRB interface 1001
(config-if)#ip vrf forwarding L3VRF1	Configure L3VRF1
(config-if)#ip address 11.11.11.1/24	Configure IP address
(config-if)#ipv6 address 11:11::11:1/48	Configure IPv6 address
(config-if)#evpn irb-if-forwarding anycast-gateway-mac	Configure anycast MAC address
(config-if)#exit	Exit from interface config mode
(config)#interface irb2001	Configure IRB interface 2001
(config-if)#ip vrf forwarding L3VRF1	Configure L3VRF1
(config-if)#ip address 21.21.21.1/24 anycast	Configure IP address
(config-if)#ipv6 address 21:21::21:1/48	Configure IPv6 address

VXLAN-EVPN with IRB

<code>(config-if)#evpn irb-if-forwarding anycast-gateway-mac</code>	Configure anycast MAC address
<code>(config-if)#exit</code>	Exit from interface config mode
<code>(config)#commit</code>	Commit the candidate configuration to running configuration and save config and reload board
<code>(config)#router bgp 5000</code>	Enter into BGP router mode
<code>(config-router)#address-family ipv4 vrf L3VRF1</code>	Enter into address-family mode for L3VRF1
<code>(config-router-af)#redistribute connected</code>	Redistribute connected
<code>(config-router-af)#exit-address-family</code>	Exit from address-family
<code>(config)# nvo vxlan id 101 ingress-replication inner-vid-disabled</code>	Configure VXLAN Network identifier with/without inner-vid-disabled configure and enter into VXLAN tenant mode
<code>(config-nvo)#vxlan host-reachability-protocol evpn-bgp L2VRF1</code>	Assign VRF for EVPN-BGP to carry EVPN route
<code>(config-nvo)# evpn irb1001</code>	Configure IRB1001 under VXLAN ID 101
<code>(config-nvo)#exit</code>	Exit from VXLAN tenant mode and enter into configuration mode.
<code>(config)#nvo vxlan id 201 ingress-replication inner-vid-disabled</code>	Configure VXLAN Network identifier with/without inner-vid-disabled configure and enter into VXLAN tenant mode
<code>(config-nvo)#vxlan host-reachability-protocol evpn-bgp L2VRF2</code>	Assign VRF for EVPN-BGP to carry EVPN route
<code>(config-nvo)# evpn irb2001</code>	Configure IRB2001 under VXLAN ID 201
<code>(config-nvo)#exit</code>	Exit from VXLAN tenant mode and enter into configuration mode.
<code>(config)#commit</code>	Commit the candidate configuration to running configuration and save config and reload board

VTEP2

<code>(config)#nvo vxlan irb</code>	Enable VXLAN IRB
<code>(config)#commit</code>	Commit the candidate configuration to running configuration and save config and reload board
<code>(config)#ip vrf L3VRF1</code>	Create MAC routing/forwarding instance with L3VRF1 name and enter into VRF mode
<code>(config-vrf)#rd 21000:11</code>	Assign RD value
<code>(config-vrf)# route-target both 100:100</code>	Assign route-target value for same for import and export.
<code>(config-vrf)# l3vni 1000</code>	Configure L3VNI as 1000 for L3VRF1
<code>(config-vrf)#exit</code>	Exit from VRF mode
<code>(config)# evpn irb-forwarding anycast-gateway-mac 0000.0000.1111</code>	Configure anycast MAC address
<code>(config)# interface irb1001</code>	Configure IRB interface 1001
<code>(config-if)#ip vrf forwarding L3VRF1</code>	Configure L3VRF1
<code>(config-if)#ip address 11.11.11.1/24</code>	Configure IP address
<code>(config-if)#ipv6 address 11:11::11:1/48</code>	Configure IPv6 address
<code>(config-if)#evpn irb-if-forwarding anycast-gateway-mac</code>	Configure anycast MAC address

(config-if)#exit	Exit from interface config mode
(config)#commit	Commit the candidate configuration to running configuration and save config and reload board
(config)#interface irb2001	Configure IRB interface 2001
(config-if)#ip vrf forwarding L3VRF1	Configure L3VRF1
(config-if)#ip address 21.21.21.1/24	Configure IP address
(config-if)#ipv6 address 21:21::21:1/48	Configure IPv6 address
(config-if)#evpn irb-if-forwarding anycast-gateway-mac	Configure anycast MAC address
(config-if)#exit	Exit from interface config mode
(config)#router bgp 5000	Enter into BGP router mode
(config-router)#address-family ipv4 vrf L3VRF1	Enter into address-family mode for L3VRF1
(config-router-af)#redistribute connected	Redistribute connected
(config-router-af)#exit-address-family	Exit from address-family
(config)# nvo vxlan id 101 ingress-replication inner-vid-disabled	Configure VXLAN Network identifier with/without inner-vid-disabled configure and enter into VXLAN tenant mode
(config-nvo)#vxlan host-reachability-protocol evpn-bgp L2VRF1	Assign VRF for EVPN-BGP to carry EVPN route
(config-nvo)# evpn irb1001	Configure IRB1001 under VXLAN ID 101
(config-nvo)#exit	Exit from VXLAN tenant mode and enter into configuration mode.
(config)#nvo vxlan id 201 ingress-replication inner-vid-disabled	Configure VXLAN Network identifier with/without inner-vid-disabled configure and enter into VXLAN tenant mode
(config-nvo)#vxlan host-reachability-protocol evpn-bgp L2VRF2	Assign VRF for EVPN-BGP to carry EVPN route
(config-nvo)# evpn irb2001	Configure IRB2001 under VXLAN ID 201
(config-nvo)#exit	Exit from VXLAN tenant mode and enter into configuration mode.
(config)#commit	Commit the candidate configuration to running configuration and save config and reload board

VTEP4

(config)#nvo vxlan irb	Enable VXLAN IRB
(config)#commit	Commit the candidate configuration to running configuration and save config and reload board
(config)#ip vrf L3VRF1	Create MAC routing/forwarding instance with L3VRF1 name and enter into VRF mode
(config-vrf)#rd 41000:11	Assign RD value
(config-vrf)# route-target both 100:100	Assign route-target value for same for import and export.
(config-vrf)# l3vni 1000	Configure L3VNI as 1000 for L3VRF1
(config-vrf)#exit	Exit from VRF mode
(config)# evpn irb-forwarding anycast-gateway-mac 0000.0000.1111	Configure anycast MAC address
(config)# interface irb1001	Configure IRB interface 1001

VXLAN-EVPN with IRB

(config-if)#ip vrf forwarding L3VRF1	Configure L3VRF1
(config-if)#ip address 11.11.11.1/24	Configure IP address
(config-if)#ipv6 address 11:11::11:1/48	Configure IPv6 address
(config-if)#evpn irb-if-forwarding anycast-gateway-mac	Configure anycast MAC address
(config-if)#exit	Exit from interface config mode
(config)#interface irb2001	Configure IRB interface 2001
(config-if)#ip vrf forwarding L3VRF1	Configure L3VRF1
(config-if)#ip address 21.21.21.1/24	Configure IP address
(config-if)#ipv6 address 21:21::21:1/48	Configure IPv6 address
(config-if)#evpn irb-if-forwarding anycast-gateway-mac	Configure anycast MAC address
(config-if)#exit	Exit from interface config mode
(config)#commit	Commit the candidate configuration to running configuration and save config and reload board
(config)#router bgp 5000	Enter into BGP router mode
(config-router)#address-family ipv4 vrf L3VRF1	Enter into address-family mode for L3VRF1
(config-router-af)#redistribute connected	Redistribute connected
(config-router-af)#exit-address-family	Exit from address-family
(config)# nvo vxlan id 101 ingress-replication inner-vid-disabled	Configure VXLAN Network identifier with/without inner-vid-disabled configure and enter into VXLAN tenant mode
(config-nvo)#vxlan host-reachability-protocol evpn-bgp L2VRF1	Assign VRF for EVPN-BGP to carry EVPN route
(config-nvo)# evpn irb1001	Configure IRB1001 under VXLAN ID 101
(config-nvo)#exit	Exit from VXLAN tenant mode and enter into configuration mode.
(config)#nvo vxlan id 201 ingress-replication inner-vid-disabled	Configure VXLAN Network identifier with/without inner-vid-disabled configure and enter into VXLAN tenant mode
(config-nvo)#vxlan host-reachability-protocol evpn-bgp L2VRF2	Assign VRF for EVPN-BGP to carry EVPN route
(config-nvo)# evpn irb2001	Configure IRB2001 under VXLAN ID 201
(config-nvo)#exit	Exit from VXLAN tenant mode and enter into configuration mode.
(config)#commit	Commit the candidate configuration to running configuration and save config and reload board

VSTEP5

(config)#nvo vxlan irb	Enable VXLAN IRB
(config)#ip vrf L3VRF1	Create MAC routing/forwarding instance with L3VRF1 name and enter into VRF mode
(config-vrf)#rd 51000:11	Assign RD value
(config-vrf)# route-target both 100:100	Assign route-target value for same for import and export.
(config-vrf)# l3vni 1000	Configure L3VNI as 1000 for L3VRF1
(config-vrf)#exit	Exit from VRF mode

(config)# evpn irb-forwarding anycast-gateway-mac 0000.0000.1111	Configure anycast MAC address
(config)# interface irb1001	Configure IRB interface 1001
(config-if)#ip vrf forwarding L3VRF1	Configure L3VRF1
(config-if)#ip address 11.11.11.1/24	Configure IP address
(config-if)#ipv6 address 11:11::11:1/48	Configure IPv6 address
(config-if)#evpn irb-if-forwarding anycast-gateway-mac	Configure anycast MAC address
(config-if)#exit	Exit from interface config mode
(config)#interface irb2001	Configure IRB interface 2001
(config-if)#ip vrf forwarding L3VRF1	Configure L3VRF1
(config-if)#ip address 21.21.21.1/24	Configure IP address
(config-if)#ipv6 address 21:21::21:1/48	Configure IPv6 address
(config-if) evpn irb-if-forwarding anycast-gateway-mac	Configure anycast MAC address
(config-if)#exit	Exit from interface config mode
(config)#commit	Commit the candidate configuration to running configuration and save config and reload board
(config)#router bgp 5000	Enter into BGP router mode
(config-router)#address-family ipv4 vrf L3VRF1	Enter into address-family mode for L3VRF1
(config-router-af)#redistribute connected	Redistribute connected
(config-router-af)#exit-address-family	Exit from address-family
(config)# nvo vxlan id 101 ingress-replication inner-vid-disabled	Configure VXLAN Network identifier with/without inner-vid-disabled configure and enter into VXLAN tenant mode
(config-nvo)#vxlan host-reachability-protocol evpn-bgp L2VRF1	Assign VRF for EVPN-BGP to carry EVPN route
(config-nvo)# evpn irb1001	Configure IRB1001 under VXLAN ID 101
(config-nvo)#exit	Exit from VXLAN tenant mode and enter into configuration mode.
(config)#nvo vxlan id 201 ingress-replication inner-vid-disabled	Configure VXLAN Network identifier with/without inner-vid-disabled configure and enter into VXLAN tenant mode
(config-nvo)#vxlan host-reachability-protocol evpn-bgp L2VRF2	Assign VRF for EVPN-BGP to carry EVPN route
(config-nvo)# evpn irb2001	Configure IRB2001 under VXLAN ID 201
(config-nvo)#exit	Exit from VXLAN tenant mode and enter into configuration mode.
(config)#commit	Commit the candidate configuration to running configuration and save config and reload board

Validations

VTEP1

```
TB2-VTEP1#show nvo vxlan tunnel
```

```
VXLAN Network tunnel Entries
```

```
Source          Destination      Status          Up/Down         Update
=====
```

VXLAN-EVPN with IRB

```

1.1.1.1      5.5.5.5      Installed    00:13:05    00:13:05
1.1.1.1      4.4.4.4      Installed    00:18:33    00:18:33
1.1.1.1      2.2.2.2      Installed    00:18:34    00:18:34
  
```

Total number of entries are 3

TB2-VTEP1#show nvo vxlan

VXLAN Information

=====

```

Codes: NW - Network Port
       AC - Access Port
       (u) - Untagged
  
```

VNID	VNI-Name	VNI-Type	Type	Interface	ESI	VLAN	DF-Status	Src-Addr	Dst-Addr
101	VNI-101	L2	NW	----	----	----	----	1.1.1.1	5.5.5.5
101	VNI-101	L2	NW	----	----	----	----	1.1.1.1	4.4.4.4
101	VNI-101	L2	NW	----	----	----	----	1.1.1.1	2.2.2.2
101	VNI-101	--	AC	po1	00:00:00:00:00:22:22:00:00:00	10	DF	----	----
201	VNI-201	L2	NW	----	----	----	----	1.1.1.1	5.5.5.5
201	VNI-201	L2	NW	----	----	----	----	1.1.1.1	4.4.4.4
201	VNI-201	L2	NW	----	----	----	----	1.1.1.1	2.2.2.2
201	VNI-201	--	AC	po1	00:00:00:00:00:22:22:00:00:00	20	DF	----	----

Total number of entries are 8

TB2-VTEP1#show nvo vxlan arp-cache

VXLAN ARP-CACHE Information

=====

VNID	Ip-Addr	Mac-Addr	Type	Age-Out	Retries-Left
201	21.21.21.51	0000.2222.1020	Static Local	----	----
201	21.21.21.1	0000.0000.1111	Static Local	----	----
201	21.21.21.101	0000.4444.1020	Static Remote	----	----
101	11.11.11.51	0000.2222.1010	Static Local	----	----
101	11.11.11.1	0000.0000.1111	Static Local	----	----
101	11.11.11.201	0000.5555.1010	Static Remote	----	----

Total number of entries are 6

TB2-VTEP1#show nvo vxlan nd-cache

VXLAN ND-CACHE Information

=====

VNID	Ip-Addr	Mac-Addr	Type	Age-Out	Retries-Left
201	21:21::21:1	0000.0000.1111	Static Local	----	----
101	11:11::11:1	0000.0000.1111	Static Local	----	----

Total number of entries are 2

TB2-VTEP1#show nvo vxlan l3vni-map

L3VNI	L2VNI	IRB-interface
1000	101	irb1001
1000	201	irb2001

TB2-VTEP1#show ip route vrf L3VRF1

Codes: K - kernel, C - connected, S - static, R - RIP, B - BGP

O - OSPF, IA - OSPF inter area

N1 - OSPF NSSA external type 1, N2 - OSPF NSSA external type 2

E1 - OSPF external type 1, E2 - OSPF external type 2

i - IS-IS, L1 - IS-IS level-1, L2 - IS-IS level-2,

ia - IS-IS inter area, E - EVPN,

v - vrf leaked

* - candidate default

IP Route Table for VRF "L3VRF1"

```

C      11.11.11.0/24 is directly connected, irb1001, 00:19:26
C      21.21.21.0/24 is directly connected, irb2001, 00:19:26
C      127.0.0.0/8 is directly connected, lo.L3VRF1, 00:19:28
  
```

Gateway of last resort is not set

TB2-VTEP1#show ipv6 route vrf L3VRF1

IPv6 Routing Table

Codes: K - kernel route, C - connected, S - static, R - RIP, O - OSPF,

IA - OSPF inter area, E1 - OSPF external type 1,

E2 - OSPF external type 2, E - EVPN N1 - OSPF NSSA external type 1,

N2 - OSPF NSSA external type 2, i - IS-IS, B - BGP

Timers: Uptime

```
IP Route Table for VRF "L3VRF1"
C      ::1/128 via ::, lo.L3VRF1, 00:19:28
C      11:11::/48 via ::, irb1001, 00:19:26
C      21:21::/48 via ::, irb2001, 00:19:26
C      fe80::/64 via ::, irb2001, 00:19:25
TB2-VTEP1#show ip route summary
```

IP routing table name is Default-IP-Routing-Table(0)

```
IP routing table maximum-paths : 8
Total number of IPv4 routes    : 12
Total number of IPv4 paths    : 12
Pending routes (due to route max reached): 0
Route Source   Networks
connected      3
ospf           9
Total          12
FIB            12
```

```
ECMP statistics (active in ASIC):
  Total number of IPv4 ECMP routes : 0
  Total number of IPv4 ECMP paths  : 0
TB2-VTEP1#show ipv6 route summary
```

IPv6 routing table name is Default-IPv6-Routing-Table(0)

```
IPv6 routing table maximum-paths : 8
Total number of IPv6 routes      : 2
Total number of IPv6 paths      : 2
Pending routes (due to route max reached): 0
Route Source   Networks
connected      2
Total          2
FIB            2
```

```
ECMP statistics (active in ASIC):
  Total number of IPv6 ECMP routes : 0
  Total number of IPv6 ECMP paths  : 0
```

```
TB2-VTEP1#show bgp l2vpn evpn
BGP table version is 6, local router ID is 1.1.1.1
Status codes: s suppressed, d damped, h history, * valid, > best, i - internal,
               l - labeled, S Stale
Origin codes: i - IGP, e - EGP, ? - incomplete
```

[EVPN route type]:[ESI]:[VNID]:[relevent route informantion]

- 1 - Ethernet Auto-discovery Route
- 2 - MAC/IP Route
- 3 - Inclusive Multicast Route
- 4 - Ethernet Segment Route
- 5 - Prefix Route

Network	Next Hop	Metric	LocPrf	Weight	Path	Peer	Encap
RD[21000:11]							
*>i [5]:[0]:[1000]:[24]:[11.11.11.0]:[0.0.0.0]:[1000]	2.2.2.2	0	100	0	?	2.2.2.2	VXLAN
*>i [5]:[0]:[1000]:[24]:[21.21.21.0]:[0.0.0.0]:[1000]	2.2.2.2	0	100	0	?	2.2.2.2	VXLAN
RD[41000:11]							
*>i [5]:[0]:[1000]:[24]:[11.11.11.0]:[0.0.0.0]:[1000]	4.4.4.4	0	100	0	?	4.4.4.4	VXLAN
*>i [5]:[0]:[1000]:[24]:[21.21.21.0]:[0.0.0.0]:[1000]	4.4.4.4	0	100	0	?	4.4.4.4	VXLAN
RD[51000:11]							
*>i [5]:[0]:[1000]:[24]:[11.11.11.0]:[0.0.0.0]:[1000]	5.5.5.5	0	100	0	?	5.5.5.5	VXLAN
*>i [5]:[0]:[1000]:[24]:[21.21.21.0]:[0.0.0.0]:[1000]							

VXLAN-EVPN with IRB

```

5.5.5.5          0          100          0    ?  5.5.5.5          VXLAN

RD[1.1.1.1:1] VRF[evpn-gvrf-1]:
*> [1]:[00:00:00:00:00:22:22:00:00:00]:[4294967295]:[0]
      1.1.1.1          0          100          32768  i  -----          VXLAN
*> [4]:[00:00:00:00:00:22:22:00:00:00]:[32,1.1.1.1]
      1.1.1.1          0          100          32768  i  -----          VXLAN
* i [4]:[00:00:00:00:00:22:22:00:00:00]:[32,2.2.2.2]
      2.2.2.2          0          100          0      i  2.2.2.2          VXLAN

RD[1.1.1.1:11] VRF[L2VRF1]:
*> [1]:[00:00:00:00:00:22:22:00:00:00]:[101]:[101]
      1.1.1.1          0          100          32768  i  -----          VXLAN
* i 2.2.2.2          0          100          0      i  2.2.2.2          VXLAN
* i [1]:[00:00:00:00:00:22:22:00:00:00]:[4294967295]:[0]
      2.2.2.2          0          100          0      i  2.2.2.2          VXLAN
* i [2]:[0]:[101]:[48,0000:0000:1111]:[32,11.11.11.1]:[101]
      5.5.5.5          0          100          0      i  5.5.5.5          VXLAN
* i 4.4.4.4          0          100          0      i  4.4.4.4          VXLAN
* i 2.2.2.2          0          100          0      i  2.2.2.2          VXLAN
*> 1.1.1.1          0          100          32768  i  -----          VXLAN
* i [2]:[0]:[101]:[48,0000:0000:1111]:[128,11:11::11:1]:[101]
      5.5.5.5          0          100          0      i  5.5.5.5          VXLAN
* i 4.4.4.4          0          100          0      i  4.4.4.4          VXLAN
* i 2.2.2.2          0          100          0      i  2.2.2.2          VXLAN
*> 1.1.1.1          0          100          32768  i  -----          VXLAN
*> [2]:[00:00:00:00:00:22:22:00:00:00]:[101]:[48,0000:2222:1010]:[32,11.11.11.51]:[101]
      1.1.1.1          0          100          32768  i  -----          VXLAN
* i 2.2.2.2          0          100          0      i  2.2.2.2          VXLAN
* i [2]:[0]:[101]:[48,0000:5555:1010]:[32,11.11.11.201]:[101]
      5.5.5.5          0          100          0      i  5.5.5.5          VXLAN
*> [3]:[101]:[32,1.1.1.1]
      1.1.1.1          0          100          32768  i  -----          VXLAN
* i [3]:[101]:[32,2.2.2.2]
      2.2.2.2          0          100          0      i  2.2.2.2          VXLAN
* i [3]:[101]:[32,4.4.4.4]
      4.4.4.4          0          100          0      i  4.4.4.4          VXLAN
* i [3]:[101]:[32,5.5.5.5]
      5.5.5.5          0          100          0      i  5.5.5.5          VXLAN

RD[1.1.1.1:21] VRF[L2VRF2]:
*> [1]:[00:00:00:00:00:22:22:00:00:00]:[201]:[201]
      1.1.1.1          0          100          32768  i  -----          VXLAN
* i 2.2.2.2          0          100          0      i  2.2.2.2          VXLAN
* i [1]:[00:00:00:00:00:22:22:00:00:00]:[4294967295]:[0]
      2.2.2.2          0          100          0      i  2.2.2.2          VXLAN
* i [2]:[0]:[201]:[48,0000:0000:1111]:[32,21.21.21.1]:[201]
      5.5.5.5          0          100          0      i  5.5.5.5          VXLAN
* i 4.4.4.4          0          100          0      i  4.4.4.4          VXLAN
* i 2.2.2.2          0          100          0      i  2.2.2.2          VXLAN
*> 1.1.1.1          0          100          32768  i  -----          VXLAN
* i [2]:[0]:[201]:[48,0000:0000:1111]:[128,21:21::21:1]:[201]
      5.5.5.5          0          100          0      i  5.5.5.5          VXLAN
* i 4.4.4.4          0          100          0      i  4.4.4.4          VXLAN
* i 2.2.2.2          0          100          0      i  2.2.2.2          VXLAN
*> 1.1.1.1          0          100          32768  i  -----          VXLAN
*> [2]:[00:00:00:00:00:22:22:00:00:00]:[201]:[48,0000:2222:1020]:[32,21.21.21.51]:[201]
      1.1.1.1          0          100          32768  i  -----          VXLAN
* i 2.2.2.2          0          100          0      i  2.2.2.2          VXLAN
* i [2]:[0]:[201]:[48,0000:4444:1020]:[32,21.21.21.101]:[201]
      4.4.4.4          0          100          0      i  4.4.4.4          VXLAN
*> [3]:[201]:[32,1.1.1.1]
      1.1.1.1          0          100          32768  i  -----          VXLAN
* i [3]:[201]:[32,2.2.2.2]
      2.2.2.2          0          100          0      i  2.2.2.2          VXLAN
* i [3]:[201]:[32,4.4.4.4]
      4.4.4.4          0          100          0      i  4.4.4.4          VXLAN
* i [3]:[201]:[32,5.5.5.5]
      5.5.5.5          0          100          0      i  5.5.5.5          VXLAN

RD[2.2.2.2:1]
*>i [1]:[00:00:00:00:00:22:22:00:00:00]:[4294967295]:[0]
      2.2.2.2          0          100          0      i  2.2.2.2          VXLAN

```

```

*>i [4]:[00:00:00:00:00:22:22:00:00:00]:[32,2.2.2.2]
      2.2.2.2          0          100      0      i  2.2.2.2          VXLAN

RD[2.2.2.2:11]
*>i [1]:[00:00:00:00:00:22:22:00:00:00]:[101]:[101]
      2.2.2.2          0          100      0      i  2.2.2.2          VXLAN
*>i [2]:[0]:[101]:[48,0000:0000:1111]:[32,11.11.11.1]:[101]
      2.2.2.2          0          100      0      i  2.2.2.2          VXLAN
*>i [2]:[0]:[101]:[48,0000:0000:1111]:[128,11:11::11:1]:[101]
      2.2.2.2          0          100      0      i  2.2.2.2          VXLAN
*>i [2]:[00:00:00:00:00:22:22:00:00:00]:[101]:[48,0000:2222:1010]:[32,11.11.11.51]:[101]
      2.2.2.2          0          100      0      i  2.2.2.2          VXLAN
*>i [3]:[101]:[32,2.2.2.2]
      2.2.2.2          0          100      0      i  2.2.2.2          VXLAN

RD[2.2.2.2:21]
*>i [1]:[00:00:00:00:00:22:22:00:00:00]:[201]:[201]
      2.2.2.2          0          100      0      i  2.2.2.2          VXLAN
*>i [2]:[0]:[201]:[48,0000:0000:1111]:[32,21.21.21.1]:[201]
      2.2.2.2          0          100      0      i  2.2.2.2          VXLAN
*>i [2]:[0]:[201]:[48,0000:0000:1111]:[128,21:21::21:1]:[201]
      2.2.2.2          0          100      0      i  2.2.2.2          VXLAN
*>i [2]:[00:00:00:00:00:22:22:00:00:00]:[201]:[48,0000:2222:1020]:[32,21.21.21.51]:[201]
      2.2.2.2          0          100      0      i  2.2.2.2          VXLAN
*>i [3]:[201]:[32,2.2.2.2]
      2.2.2.2          0          100      0      i  2.2.2.2          VXLAN

RD[4.4.4.4:11]
*>i [2]:[0]:[101]:[48,0000:0000:1111]:[32,11.11.11.1]:[101]
      4.4.4.4          0          100      0      i  4.4.4.4          VXLAN
*>i [2]:[0]:[101]:[48,0000:0000:1111]:[128,11:11::11:1]:[101]
      4.4.4.4          0          100      0      i  4.4.4.4          VXLAN
*>i [3]:[101]:[32,4.4.4.4]
      4.4.4.4          0          100      0      i  4.4.4.4          VXLAN

RD[4.4.4.4:21]
*>i [2]:[0]:[201]:[48,0000:0000:1111]:[32,21.21.21.1]:[201]
      4.4.4.4          0          100      0      i  4.4.4.4          VXLAN
*>i [2]:[0]:[201]:[48,0000:0000:1111]:[128,21:21::21:1]:[201]
      4.4.4.4          0          100      0      i  4.4.4.4          VXLAN
*>i [2]:[0]:[201]:[48,0000:4444:1020]:[32,21.21.21.101]:[201]
      4.4.4.4          0          100      0      i  4.4.4.4          VXLAN
*>i [3]:[201]:[32,4.4.4.4]
      4.4.4.4          0          100      0      i  4.4.4.4          VXLAN

RD[5.5.5.5:11]
*>i [2]:[0]:[101]:[48,0000:0000:1111]:[32,11.11.11.1]:[101]
      5.5.5.5          0          100      0      i  5.5.5.5          VXLAN
*>i [2]:[0]:[101]:[48,0000:0000:1111]:[128,11:11::11:1]:[101]
      5.5.5.5          0          100      0      i  5.5.5.5          VXLAN
*>i [2]:[0]:[101]:[48,0000:5555:1010]:[32,11.11.11.201]:[101]
      5.5.5.5          0          100      0      i  5.5.5.5          VXLAN
*>i [3]:[101]:[32,5.5.5.5]
      5.5.5.5          0          100      0      i  5.5.5.5          VXLAN

RD[5.5.5.5:21]
*>i [2]:[0]:[201]:[48,0000:0000:1111]:[32,21.21.21.1]:[201]
      5.5.5.5          0          100      0      i  5.5.5.5          VXLAN
*>i [2]:[0]:[201]:[48,0000:0000:1111]:[128,21:21::21:1]:[201]
      5.5.5.5          0          100      0      i  5.5.5.5          VXLAN
*>i [3]:[201]:[32,5.5.5.5]
      5.5.5.5          0          100      0      i  5.5.5.5          VXLAN

Total number of prefixes 55
TB2-VTEP1#

```

```

TB2-VTEP2#show nvo vxlan tunnel
VXLAN Network tunnel Entries
Source      Destination      Status      Up/Down      Update
=====
2.2.2.2     4.4.4.4          Installed   00:18:42     00:18:42
2.2.2.2     1.1.1.1          Installed   00:18:43     00:18:43

```

VXLAN-EVPN with IRB

2.2.2.2 5.5.5.5 Installed 00:13:14 00:13:14

Total number of entries are 3

TB2-VTEP2#show nvo vxlan

VXLAN Information

=====

Codes: NW - Network Port
 AC - Access Port
 (u) - Untagged

VNID	VNI-Name	VNI-Type	Type	Interface	ESI	VLAN	DF-Status	Src-Addr	Dst-Addr
101	VNI-101	L2	NW	----	----	----	----	2.2.2.2	4.4.4.4
101	VNI-101	L2	NW	----	----	----	----	2.2.2.2	1.1.1.1
101	VNI-101	L2	NW	----	----	----	----	2.2.2.2	5.5.5.5
101	VNI-101	--	AC	po1	00:00:00:00:00:22:22:00:00:00	10	NON-DF	----	----
201	VNI-201	L2	NW	----	----	----	----	2.2.2.2	4.4.4.4
201	VNI-201	L2	NW	----	----	----	----	2.2.2.2	1.1.1.1
201	VNI-201	L2	NW	----	----	----	----	2.2.2.2	5.5.5.5
201	VNI-201	--	AC	po1	00:00:00:00:00:22:22:00:00:00	20	NON-DF	----	----

Total number of entries are 8

TB2-VTEP2#show nvo vxlan arp-cache

VXLAN ARP-CACHE Information

=====

VNID	Ip-Addr	Mac-Addr	Type	Age-Out	Retries-Left
201	21.21.21.51	0000.2222.1020	Static Local	----	----
201	21.21.21.1	0000.0000.1111	Static Local	----	----
201	21.21.21.101	0000.4444.1020	Static Remote	----	----
101	11.11.11.51	0000.2222.1010	Static Local	----	----
101	11.11.11.1	0000.0000.1111	Static Local	----	----
101	11.11.11.201	0000.5555.1010	Static Remote	----	----

Total number of entries are 6

TB2-VTEP2#show nvo vxlan nd-cache

VXLAN ND-CACHE Information

=====

VNID	Ip-Addr	Mac-Addr	Type	Age-Out	Retries-Left
201	21:21::21:1	0000.0000.1111	Static Local	----	----
101	11:11::11:1	0000.0000.1111	Static Local	----	----

Total number of entries are 2

TB2-VTEP2#show nvo vxlan l3vni-map

L3VNI L2VNI IRB-interface

=====

1000	101	irb1001
1000	201	irb2001

TB2-VTEP2#show ip route vrf L3VRF1

Codes: K - kernel, C - connected, S - static, R - RIP, B - BGP

O - OSPF, IA - OSPF inter area

N1 - OSPF NSSA external type 1, N2 - OSPF NSSA external type 2

E1 - OSPF external type 1, E2 - OSPF external type 2

i - IS-IS, L1 - IS-IS level-1, L2 - IS-IS level-2,

ia - IS-IS inter area, E - EVPN,

v - vrf leaked

* - candidate default

IP Route Table for VRF "L3VRF1"

C	11.11.11.0/24	is directly connected, irb1001, 00:19:37
C	21.21.21.0/24	is directly connected, irb2001, 00:19:37
C	127.0.0.0/8	is directly connected, lo.L3VRF1, 00:19:40

Gateway of last resort is not set

TB2-VTEP2#show ipv6 route vrf L3VRF1

IPv6 Routing Table

Codes: K - kernel route, C - connected, S - static, R - RIP, O - OSPF,

IA - OSPF inter area, E1 - OSPF external type 1,

E2 - OSPF external type 2, E - EVPN N1 - OSPF NSSA external type 1,

N2 - OSPF NSSA external type 2, i - IS-IS, B - BGP

Timers: Uptime

```
IP Route Table for VRF "L3VRF1"
C    ::1/128 via ::, lo.L3VRF1, 00:19:40
C    11:11::/48 via ::, irb1001, 00:19:37
C    21:21::/48 via ::, irb2001, 00:19:37
C    fe80::/64 via ::, irb2001, 00:19:36
TB2-VTEP2#show ip route summary
```

```
-----
IP routing table name is Default-IP-Routing-Table(0)
-----
```

```
IP routing table maximum-paths : 8
Total number of IPv4 routes    : 12
Total number of IPv4 paths    : 12
Pending routes (due to route max reached): 0
Route Source   Networks
connected      3
ospf           9
Total         12
FIB           12
```

```
ECMP statistics (active in ASIC):
  Total number of IPv4 ECMP routes : 0
  Total number of IPv4 ECMP paths  : 0
TB2-VTEP2#show ipv6 route summary
```

```
-----
IPv6 routing table name is Default-IPv6-Routing-Table(0)
-----
```

```
IPv6 routing table maximum-paths : 8
Total number of IPv6 routes      : 2
Total number of IPv6 paths      : 2
Pending routes (due to route max reached): 0
Route Source   Networks
connected      2
Total          2
FIB            2
```

```
ECMP statistics (active in ASIC):
  Total number of IPv6 ECMP routes : 0
  Total number of IPv6 ECMP paths  : 0
```

```
TB2-VTEP2#show bgp l2vpn evpn
BGP table version is 6, local router ID is 2.2.2.2
Status codes: s suppressed, d damped, h history, * valid, > best, i - internal,
               l - labeled, S Stale
Origin codes: i - IGP, e - EGP, ? - incomplete
```

```
[EVPN route type]:[ESI]:[VNID]:[relevent route informantion]
1 - Ethernet Auto-discovery Route
2 - MAC/IP Route
3 - Inclusive Multicast Route
4 - Ethernet Segment Route
5 - Prefix Route
```

Network	Next Hop	Metric	LocPrf	Weight	Path	Peer	Encap
RD[11000:11]							
*>i[5]:[0]:[1000]:[24]:[11.11.11.0]:[0.0.0.0]:[1000]	1.1.1.1	0	100	0	?	1.1.1.1	VXLAN
*>i[5]:[0]:[1000]:[24]:[21.21.21.0]:[0.0.0.0]:[1000]	1.1.1.1	0	100	0	?	1.1.1.1	VXLAN
RD[41000:11]							
*>i[5]:[0]:[1000]:[24]:[11.11.11.0]:[0.0.0.0]:[1000]	4.4.4.4	0	100	0	?	4.4.4.4	VXLAN
*>i[5]:[0]:[1000]:[24]:[21.21.21.0]:[0.0.0.0]:[1000]	4.4.4.4	0	100	0	?	4.4.4.4	VXLAN
RD[51000:11]							
*>i[5]:[0]:[1000]:[24]:[11.11.11.0]:[0.0.0.0]:[1000]	5.5.5.5	0	100	0	?	5.5.5.5	VXLAN
*>i[5]:[0]:[1000]:[24]:[21.21.21.0]:[0.0.0.0]:[1000]	5.5.5.5	0	100	0	?	5.5.5.5	VXLAN

VXLAN-EVPN with IRB

```

RD[1.1.1.1:1]
*>i[1]:[00:00:00:00:00:22:22:00:00:00]:[4294967295]:[0]
    1.1.1.1      0      100      0      i  1.1.1.1      VXLAN
*>i[4]:[00:00:00:00:00:22:22:00:00:00]:[32,1.1.1.1]
    1.1.1.1      0      100      0      i  1.1.1.1      VXLAN

RD[1.1.1.1:11]
*>i[1]:[00:00:00:00:00:22:22:00:00:00]:[101]:[101]
    1.1.1.1      0      100      0      i  1.1.1.1      VXLAN
*>i[2]:[0]:[101]:[48,0000:0000:1111]:[32,11.11.11.1]:[101]
    1.1.1.1      0      100      0      i  1.1.1.1      VXLAN
*>i[2]:[0]:[101]:[48,0000:0000:1111]:[128,11:11::11:1]:[101]
    1.1.1.1      0      100      0      i  1.1.1.1      VXLAN
*>i[2]:[00:00:00:00:00:22:22:00:00:00]:[101]:[48,0000:2222:1010]:[32,11.11.11.51]:[101]
    1.1.1.1      0      100      0      i  1.1.1.1      VXLAN
*>i[3]:[101]:[32,1.1.1.1]
    1.1.1.1      0      100      0      i  1.1.1.1      VXLAN

RD[1.1.1.1:21]
*>i[1]:[00:00:00:00:00:22:22:00:00:00]:[201]:[201]
    1.1.1.1      0      100      0      i  1.1.1.1      VXLAN
*>i[2]:[0]:[201]:[48,0000:0000:1111]:[32,21.21.21.1]:[201]
    1.1.1.1      0      100      0      i  1.1.1.1      VXLAN
*>i[2]:[0]:[201]:[48,0000:0000:1111]:[128,21:21::21:1]:[201]
    1.1.1.1      0      100      0      i  1.1.1.1      VXLAN
*>i[2]:[00:00:00:00:00:22:22:00:00:00]:[201]:[48,0000:2222:1020]:[32,21.21.21.51]:[201]
    1.1.1.1      0      100      0      i  1.1.1.1      VXLAN
*>i[3]:[201]:[32,1.1.1.1]
    1.1.1.1      0      100      0      i  1.1.1.1      VXLAN

RD[2.2.2.2:1] VRF[evpn-gvrf-1]:
*> [1]:[00:00:00:00:00:22:22:00:00:00]:[4294967295]:[0]
    2.2.2.2      0      100      32768  i  -----      VXLAN
* i[4]:[00:00:00:00:00:22:22:00:00:00]:[32,1.1.1.1]
    1.1.1.1      0      100      0      i  1.1.1.1      VXLAN
*> [4]:[00:00:00:00:00:22:22:00:00:00]:[32,2.2.2.2]
    2.2.2.2      0      100      32768  i  -----      VXLAN

RD[2.2.2.2:11] VRF[L2VRF1]:
* i[1]:[00:00:00:00:00:22:22:00:00:00]:[101]:[101]
    1.1.1.1      0      100      0      i  1.1.1.1      VXLAN
*>
    2.2.2.2      0      100      32768  i  -----      VXLAN
* i[1]:[00:00:00:00:00:22:22:00:00:00]:[4294967295]:[0]
    1.1.1.1      0      100      0      i  1.1.1.1      VXLAN
* i[2]:[0]:[101]:[48,0000:0000:1111]:[32,11.11.11.1]:[101]
    5.5.5.5      0      100      0      i  5.5.5.5      VXLAN
* i
    4.4.4.4      0      100      0      i  4.4.4.4      VXLAN
* i
    1.1.1.1      0      100      0      i  1.1.1.1      VXLAN
*>
    2.2.2.2      0      100      32768  i  -----      VXLAN
* i[2]:[0]:[101]:[48,0000:0000:1111]:[128,11:11::11:1]:[101]
    5.5.5.5      0      100      0      i  5.5.5.5      VXLAN
* i
    4.4.4.4      0      100      0      i  4.4.4.4      VXLAN
* i
    1.1.1.1      0      100      0      i  1.1.1.1      VXLAN
*>
    2.2.2.2      0      100      32768  i  -----      VXLAN
* i[2]:[00:00:00:00:00:22:22:00:00:00]:[101]:[48,0000:2222:1010]:[32,11.11.11.51]:[101]
    1.1.1.1      0      100      0      i  1.1.1.1      VXLAN
*>
    2.2.2.2      0      100      32768  i  -----      VXLAN
* i[2]:[0]:[101]:[48,0000:5555:1010]:[32,11.11.11.201]:[101]
    5.5.5.5      0      100      0      i  5.5.5.5      VXLAN
* i[3]:[101]:[32,1.1.1.1]
    1.1.1.1      0      100      0      i  1.1.1.1      VXLAN
*> [3]:[101]:[32,2.2.2.2]
    2.2.2.2      0      100      32768  i  -----      VXLAN
* i[3]:[101]:[32,4.4.4.4]
    4.4.4.4      0      100      0      i  4.4.4.4      VXLAN
* i[3]:[101]:[32,5.5.5.5]
    5.5.5.5      0      100      0      i  5.5.5.5      VXLAN

RD[2.2.2.2:21] VRF[L2VRF2]:
* i[1]:[00:00:00:00:00:22:22:00:00:00]:[201]:[201]
    1.1.1.1      0      100      0      i  1.1.1.1      VXLAN
*>
    2.2.2.2      0      100      32768  i  -----      VXLAN
* i[1]:[00:00:00:00:00:22:22:00:00:00]:[4294967295]:[0]

```

```

1.1.1.1 0 100 0 i 1.1.1.1 VXLAN
* i[2]:[0]:[201]:[48,0000:0000:1111]:[32,21.21.21.1]:[201]
5.5.5.5 0 100 0 i 5.5.5.5 VXLAN
* i 4.4.4.4 0 100 0 i 4.4.4.4 VXLAN
* i 1.1.1.1 0 100 0 i 1.1.1.1 VXLAN
*> 2.2.2.2 0 100 32768 i ----- VXLAN
* i[2]:[0]:[201]:[48,0000:0000:1111]:[128,21:21::21:1]:[201]
5.5.5.5 0 100 0 i 5.5.5.5 VXLAN
* i 4.4.4.4 0 100 0 i 4.4.4.4 VXLAN
* i 1.1.1.1 0 100 0 i 1.1.1.1 VXLAN
*> 2.2.2.2 0 100 32768 i ----- VXLAN
* i[2]:[00:00:00:00:00:22:22:00:00:00]:[201]:[48,0000:2222:1020]:[32,21.21.21.51]:[201]
1.1.1.1 0 100 0 i 1.1.1.1 VXLAN
*> 2.2.2.2 0 100 32768 i ----- VXLAN
* i[2]:[0]:[201]:[48,0000:4444:1020]:[32,21.21.21.101]:[201]
4.4.4.4 0 100 0 i 4.4.4.4 VXLAN
* i[3]:[201]:[32,1.1.1.1]
1.1.1.1 0 100 0 i 1.1.1.1 VXLAN
*> [3]:[201]:[32,2.2.2.2]
2.2.2.2 0 100 32768 i ----- VXLAN
* i[3]:[201]:[32,4.4.4.4]
4.4.4.4 0 100 0 i 4.4.4.4 VXLAN
* i[3]:[201]:[32,5.5.5.5]
5.5.5.5 0 100 0 i 5.5.5.5 VXLAN

RD[4.4.4.4:11]
*>i[2]:[0]:[101]:[48,0000:0000:1111]:[32,11.11.11.1]:[101]
4.4.4.4 0 100 0 i 4.4.4.4 VXLAN
*>i[2]:[0]:[101]:[48,0000:0000:1111]:[128,11:11::11:1]:[101]
4.4.4.4 0 100 0 i 4.4.4.4 VXLAN
*>i[3]:[101]:[32,4.4.4.4]
4.4.4.4 0 100 0 i 4.4.4.4 VXLAN

RD[4.4.4.4:21]
*>i[2]:[0]:[201]:[48,0000:0000:1111]:[32,21.21.21.1]:[201]
4.4.4.4 0 100 0 i 4.4.4.4 VXLAN
*>i[2]:[0]:[201]:[48,0000:0000:1111]:[128,21:21::21:1]:[201]
4.4.4.4 0 100 0 i 4.4.4.4 VXLAN
*>i[2]:[0]:[201]:[48,0000:4444:1020]:[32,21.21.21.101]:[201]
4.4.4.4 0 100 0 i 4.4.4.4 VXLAN
*>i[3]:[201]:[32,4.4.4.4]
4.4.4.4 0 100 0 i 4.4.4.4 VXLAN

RD[5.5.5.5:11]
*>i[2]:[0]:[101]:[48,0000:0000:1111]:[32,11.11.11.1]:[101]
5.5.5.5 0 100 0 i 5.5.5.5 VXLAN
*>i[2]:[0]:[101]:[48,0000:0000:1111]:[128,11:11::11:1]:[101]
5.5.5.5 0 100 0 i 5.5.5.5 VXLAN
*>i[2]:[0]:[101]:[48,0000:5555:1010]:[32,11.11.11.201]:[101]
5.5.5.5 0 100 0 i 5.5.5.5 VXLAN
*>i[3]:[101]:[32,5.5.5.5]
5.5.5.5 0 100 0 i 5.5.5.5 VXLAN

RD[5.5.5.5:21]
*>i[2]:[0]:[201]:[48,0000:0000:1111]:[32,21.21.21.1]:[201]
5.5.5.5 0 100 0 i 5.5.5.5 VXLAN
*>i[2]:[0]:[201]:[48,0000:0000:1111]:[128,21:21::21:1]:[201]
5.5.5.5 0 100 0 i 5.5.5.5 VXLAN
*>i[3]:[201]:[32,5.5.5.5]
5.5.5.5 0 100 0 i 5.5.5.5 VXLAN

Total number of prefixes 55
TB2-VTEP2#

```

VTEP4

TB2-VTEP4#show nvo vxlan tunnel

VXLAN Network tunnel Entries

Source	Destination	Status	Up/Down	Update
4.4.4.4	2.2.2.2	Installed	00:18:55	00:18:55

VXLAN-EVPN with IRB

```
4.4.4.4      1.1.1.1      Installed    00:18:55    00:18:55
4.4.4.4      5.5.5.5      Installed    00:13:27    00:13:27
```

Total number of entries are 3

TB2-VTEP4#show nvo vxlan

VXLAN Information

=====

Codes: NW - Network Port
AC - Access Port
(u) - Untagged

VNID	VNI-Name	VNI-Type	Type	Interface	ESI	VLAN	DF-Status	Src-Addr	Dst-Addr
101	VNI-101	L2	NW	----	----	----	----	4.4.4.4	2.2.2.2
101	VNI-101	L2	NW	----	----	----	----	4.4.4.4	1.1.1.1
101	VNI-101	L2	NW	----	----	----	----	4.4.4.4	5.5.5.5
201	VNI-201	L2	NW	----	----	----	----	4.4.4.4	2.2.2.2
201	VNI-201	L2	NW	----	----	----	----	4.4.4.4	1.1.1.1
201	VNI-201	L2	NW	----	----	----	----	4.4.4.4	5.5.5.5
201	VNI-201	--	AC	sal	---	20	----	----	----

Total number of entries are 7

TB2-VTEP4#show nvo vxlan arp-cache

VXLAN ARP-CACHE Information

=====

VNID	Ip-Addr	Mac-Addr	Type	Age-Out	Retries-Left
201	21.21.21.51	0000.2222.1020	Static Remote	----	----
201	21.21.21.1	0000.0000.1111	Static Local	----	----
201	21.21.21.101	0000.4444.1020	Static Local	----	----
101	11.11.11.51	0000.2222.1010	Static Remote	----	----
101	11.11.11.1	0000.0000.1111	Static Local	----	----
101	11.11.11.201	0000.5555.1010	Static Remote	----	----

Total number of entries are 6

TB2-VTEP4#show nvo vxlan nd-cache

VXLAN ND-CACHE Information

=====

VNID	Ip-Addr	Mac-Addr	Type	Age-Out	Retries-Left
201	21:21::21:1	0000.0000.1111	Static Local	----	----
101	11:11::11:1	0000.0000.1111	Static Local	----	----

Total number of entries are 2

TB2-VTEP4#show nvo vxlan l3vni-map

L3VNI L2VNI IRB-interface

=====

1000	101	irb1001
1000	201	irb2001

TB2-VTEP4#show ip route vrf L3VRF1

Codes: K - kernel, C - connected, S - static, R - RIP, B - BGP

O - OSPF, IA - OSPF inter area

N1 - OSPF NSSA external type 1, N2 - OSPF NSSA external type 2

E1 - OSPF external type 1, E2 - OSPF external type 2

i - IS-IS, L1 - IS-IS level-1, L2 - IS-IS level-2,

ia - IS-IS inter area, E - EVPN,

v - vrf leaked

* - candidate default

IP Route Table for VRF "L3VRF1"

```
C      11.11.11.0/24 is directly connected, irb1001, 00:19:46
C      21.21.21.0/24 is directly connected, irb2001, 00:19:46
C      127.0.0.0/8 is directly connected, lo.L3VRF1, 00:19:49
```

Gateway of last resort is not set

TB2-VTEP4#show ipv6 route vrf L3VRF1

IPv6 Routing Table

Codes: K - kernel route, C - connected, S - static, R - RIP, O - OSPF,

IA - OSPF inter area, E1 - OSPF external type 1,

E2 - OSPF external type 2, E - EVPN N1 - OSPF NSSA external type 1,

N2 - OSPF NSSA external type 2, i - IS-IS, B - BGP

Timers: Uptime


```
IP Route Table for VRF "L3VRF1"
C    ::1/128 via ::, lo.L3VRF1, 00:19:49
C    11:11::/48 via ::, irb1001, 00:19:46
C    21:21::/48 via ::, irb2001, 00:19:46
C    fe80::/64 via ::, irb2001, 00:19:46
TB2-VTEP4#show ip route summary
```

```
-----
IP routing table name is Default-IP-Routing-Table(0)
-----
```

```
IP routing table maximum-paths : 8
Total number of IPv4 routes    : 12
Total number of IPv4 paths    : 12
Pending routes (due to route max reached): 0
Route Source   Networks
connected      3
ospf           9
Total         12
FIB            12
```

```
ECMP statistics (active in ASIC):
  Total number of IPv4 ECMP routes : 0
  Total number of IPv4 ECMP paths  : 0
TB2-VTEP4#show ipv6 route summary
```

```
-----
IPv6 routing table name is Default-IPv6-Routing-Table(0)
-----
```

```
IPv6 routing table maximum-paths : 8
Total number of IPv6 routes      : 2
Total number of IPv6 paths      : 2
Pending routes (due to route max reached): 0
Route Source   Networks
connected      2
Total          2
FIB            2
```

```
ECMP statistics (active in ASIC):
  Total number of IPv6 ECMP routes : 0
  Total number of IPv6 ECMP paths  : 0
```

```
TB2-VTEP4#show bgp l2vpn evpn
BGP table version is 4, local router ID is 4.4.4.4
Status codes: s suppressed, d damped, h history, * valid, > best, i - internal,
               l - labeled, S Stale
Origin codes: i - IGP, e - EGP, ? - incomplete
```

```
[EVPN route type]:[ESI]:[VNID]:[relevent route informantion]
1 - Ethernet Auto-discovery Route
2 - MAC/IP Route
3 - Inclusive Multicast Route
4 - Ethernet Segment Route
5 - Prefix Route
```

Network	Next Hop	Metric	LocPrf	Weight	Path	Peer	Encap
RD[11000:11]							
*>i [5]:[0]:[1000]:[24]:[11.11.11.0]:[0.0.0.0]:[1000]	1.1.1.1	0	100	0	?	1.1.1.1	VXLAN
*>i [5]:[0]:[1000]:[24]:[21.21.21.0]:[0.0.0.0]:[1000]	1.1.1.1	0	100	0	?	1.1.1.1	VXLAN
RD[21000:11]							
*>i [5]:[0]:[1000]:[24]:[11.11.11.0]:[0.0.0.0]:[1000]	2.2.2.2	0	100	0	?	2.2.2.2	VXLAN
*>i [5]:[0]:[1000]:[24]:[21.21.21.0]:[0.0.0.0]:[1000]	2.2.2.2	0	100	0	?	2.2.2.2	VXLAN
RD[51000:11]							
*>i [5]:[0]:[1000]:[24]:[11.11.11.0]:[0.0.0.0]:[1000]	5.5.5.5	0	100	0	?	5.5.5.5	VXLAN
*>i [5]:[0]:[1000]:[24]:[21.21.21.0]:[0.0.0.0]:[1000]	5.5.5.5	0	100	0	?	5.5.5.5	VXLAN

VXLAN-EVPN with IRB

```

RD[1.1.1.1:1]
*>i [1]:[00:00:00:00:00:22:22:00:00:00]:[4294967295]:[0]
    1.1.1.1          0          100      0    i  1.1.1.1          VXLAN
*>i [4]:[00:00:00:00:00:22:22:00:00:00]:[32,1.1.1.1]
    1.1.1.1          0          100      0    i  1.1.1.1          VXLAN

RD[1.1.1.1:11]
*>i [1]:[00:00:00:00:00:22:22:00:00:00]:[101]:[101]
    1.1.1.1          0          100      0    i  1.1.1.1          VXLAN
*>i [2]:[0]:[101]:[48,0000:0000:1111]:[32,11.11.11.1]:[101]
    1.1.1.1          0          100      0    i  1.1.1.1          VXLAN
*>i [2]:[0]:[101]:[48,0000:0000:1111]:[128,11:11::11:1]:[101]
    1.1.1.1          0          100      0    i  1.1.1.1          VXLAN
*>i [2]:[00:00:00:00:00:22:22:00:00:00]:[101]:[48,0000:2222:1010]:[32,11.11.11.51]:[101]
    1.1.1.1          0          100      0    i  1.1.1.1          VXLAN
*>i [3]:[101]:[32,1.1.1.1]
    1.1.1.1          0          100      0    i  1.1.1.1          VXLAN

RD[1.1.1.1:21]
*>i [1]:[00:00:00:00:00:22:22:00:00:00]:[201]:[201]
    1.1.1.1          0          100      0    i  1.1.1.1          VXLAN
*>i [2]:[0]:[201]:[48,0000:0000:1111]:[32,21.21.21.1]:[201]
    1.1.1.1          0          100      0    i  1.1.1.1          VXLAN
*>i [2]:[0]:[201]:[48,0000:0000:1111]:[128,21:21::21:1]:[201]
    1.1.1.1          0          100      0    i  1.1.1.1          VXLAN
*>i [2]:[00:00:00:00:00:22:22:00:00:00]:[201]:[48,0000:2222:1020]:[32,21.21.21.51]:[201]
    1.1.1.1          0          100      0    i  1.1.1.1          VXLAN
*>i [3]:[201]:[32,1.1.1.1]
    1.1.1.1          0          100      0    i  1.1.1.1          VXLAN

RD[2.2.2.2:1]
*>i [1]:[00:00:00:00:00:22:22:00:00:00]:[4294967295]:[0]
    2.2.2.2          0          100      0    i  2.2.2.2          VXLAN
*>i [4]:[00:00:00:00:00:22:22:00:00:00]:[32,2.2.2.2]
    2.2.2.2          0          100      0    i  2.2.2.2          VXLAN

RD[2.2.2.2:11]
*>i [1]:[00:00:00:00:00:22:22:00:00:00]:[101]:[101]
    2.2.2.2          0          100      0    i  2.2.2.2          VXLAN
*>i [2]:[0]:[101]:[48,0000:0000:1111]:[32,11.11.11.1]:[101]
    2.2.2.2          0          100      0    i  2.2.2.2          VXLAN
*>i [2]:[0]:[101]:[48,0000:0000:1111]:[128,11:11::11:1]:[101]
    2.2.2.2          0          100      0    i  2.2.2.2          VXLAN
*>i [2]:[00:00:00:00:00:22:22:00:00:00]:[101]:[48,0000:2222:1010]:[32,11.11.11.51]:[101]
    2.2.2.2          0          100      0    i  2.2.2.2          VXLAN
*>i [3]:[101]:[32,2.2.2.2]
    2.2.2.2          0          100      0    i  2.2.2.2          VXLAN

RD[2.2.2.2:21]
*>i [1]:[00:00:00:00:00:22:22:00:00:00]:[201]:[201]
    2.2.2.2          0          100      0    i  2.2.2.2          VXLAN
*>i [2]:[0]:[201]:[48,0000:0000:1111]:[32,21.21.21.1]:[201]
    2.2.2.2          0          100      0    i  2.2.2.2          VXLAN
*>i [2]:[0]:[201]:[48,0000:0000:1111]:[128,21:21::21:1]:[201]
    2.2.2.2          0          100      0    i  2.2.2.2          VXLAN
*>i [2]:[00:00:00:00:00:22:22:00:00:00]:[201]:[48,0000:2222:1020]:[32,21.21.21.51]:[201]
    2.2.2.2          0          100      0    i  2.2.2.2          VXLAN
*>i [3]:[201]:[32,2.2.2.2]
    2.2.2.2          0          100      0    i  2.2.2.2          VXLAN

RD[4.4.4.4:11] VRF[L2VRF1]:
* i [1]:[00:00:00:00:00:22:22:00:00:00]:[101]:[101]
    1.1.1.1          0          100      0    i  1.1.1.1          VXLAN
* i [1]:[00:00:00:00:00:22:22:00:00:00]:[4294967295]:[0]
    2.2.2.2          0          100      0    i  2.2.2.2          VXLAN
* i [1]:[00:00:00:00:00:22:22:00:00:00]:[4294967295]:[0]
    1.1.1.1          0          100      0    i  1.1.1.1          VXLAN
* i [1]:[00:00:00:00:00:22:22:00:00:00]:[4294967295]:[0]
    2.2.2.2          0          100      0    i  2.2.2.2          VXLAN
* i [2]:[0]:[101]:[48,0000:0000:1111]:[32,11.11.11.1]:[101]
    5.5.5.5          0          100      0    i  5.5.5.5          VXLAN
* i [2]:[0]:[101]:[48,0000:0000:1111]:[32,11.11.11.1]:[101]
    1.1.1.1          0          100      0    i  1.1.1.1          VXLAN
* i [2]:[0]:[101]:[48,0000:0000:1111]:[32,11.11.11.1]:[101]
    2.2.2.2          0          100      0    i  2.2.2.2          VXLAN
*> [2]:[0]:[101]:[48,0000:0000:1111]:[32,11.11.11.1]:[101]
    4.4.4.4          0          100      32768 i  -----          VXLAN
* i [2]:[0]:[101]:[48,0000:0000:1111]:[128,11:11::11:1]:[101]

```

```

5.5.5.5          0          100          0          i  5.5.5.5          VXLAN
* i              1.1.1.1          0          100          0          i  1.1.1.1          VXLAN
* i              2.2.2.2          0          100          0          i  2.2.2.2          VXLAN
*>              4.4.4.4          0          100          32768         i  -----          VXLAN
* i [2]:[00:00:00:00:00:22:22:00:00:00]:[101]:[48,0000:2222:1010]:[32,11.11.11.51]:[101]
* i              1.1.1.1          0          100          0          i  1.1.1.1          VXLAN
* i              2.2.2.2          0          100          0          i  2.2.2.2          VXLAN
* i [2]:[0]:[101]:[48,0000:5555:1010]:[32,11.11.11.201]:[101]
* i              5.5.5.5          0          100          0          i  5.5.5.5          VXLAN
* i [3]:[101]:[32,1.1.1.1]
* i              1.1.1.1          0          100          0          i  1.1.1.1          VXLAN
* i [3]:[101]:[32,2.2.2.2]
* i              2.2.2.2          0          100          0          i  2.2.2.2          VXLAN
*> [3]:[101]:[32,4.4.4.4]
* i              4.4.4.4          0          100          32768         i  -----          VXLAN
* i [3]:[101]:[32,5.5.5.5]
* i              5.5.5.5          0          100          0          i  5.5.5.5          VXLAN

RD[4.4.4.4:21] VRF[L2VRF2]:
* i [1]:[00:00:00:00:00:22:22:00:00:00]:[201]:[201]
* i              1.1.1.1          0          100          0          i  1.1.1.1          VXLAN
* i              2.2.2.2          0          100          0          i  2.2.2.2          VXLAN
* i [1]:[00:00:00:00:00:22:22:00:00:00]:[4294967295]:[0]
* i              1.1.1.1          0          100          0          i  1.1.1.1          VXLAN
* i              2.2.2.2          0          100          0          i  2.2.2.2          VXLAN
* i [2]:[0]:[201]:[48,0000:0000:1111]:[32,21.21.21.1]:[201]
* i              5.5.5.5          0          100          0          i  5.5.5.5          VXLAN
* i              1.1.1.1          0          100          0          i  1.1.1.1          VXLAN
* i              2.2.2.2          0          100          0          i  2.2.2.2          VXLAN
*>              4.4.4.4          0          100          32768         i  -----          VXLAN
* i [2]:[0]:[201]:[48,0000:0000:1111]:[128,21:21::21:1]:[201]
* i              5.5.5.5          0          100          0          i  5.5.5.5          VXLAN
* i              1.1.1.1          0          100          0          i  1.1.1.1          VXLAN
* i              2.2.2.2          0          100          0          i  2.2.2.2          VXLAN
*>              4.4.4.4          0          100          32768         i  -----          VXLAN
* i [2]:[00:00:00:00:00:22:22:00:00:00]:[201]:[48,0000:2222:1020]:[32,21.21.21.51]:[201]
* i              1.1.1.1          0          100          0          i  1.1.1.1          VXLAN
* i              2.2.2.2          0          100          0          i  2.2.2.2          VXLAN
*> [2]:[0]:[201]:[48,0000:4444:1020]:[32,21.21.21.101]:[201]
* i              4.4.4.4          0          100          32768         i  -----          VXLAN
* i [3]:[201]:[32,1.1.1.1]
* i              1.1.1.1          0          100          0          i  1.1.1.1          VXLAN
* i [3]:[201]:[32,2.2.2.2]
* i              2.2.2.2          0          100          0          i  2.2.2.2          VXLAN
*> [3]:[201]:[32,4.4.4.4]
* i              4.4.4.4          0          100          32768         i  -----          VXLAN
* i [3]:[201]:[32,5.5.5.5]
* i              5.5.5.5          0          100          0          i  5.5.5.5          VXLAN

RD[5.5.5.5:11]
*>i [2]:[0]:[101]:[48,0000:0000:1111]:[32,11.11.11.1]:[101]
* i              5.5.5.5          0          100          0          i  5.5.5.5          VXLAN
*>i [2]:[0]:[101]:[48,0000:0000:1111]:[128,11:11::11:1]:[101]
* i              5.5.5.5          0          100          0          i  5.5.5.5          VXLAN
*>i [2]:[0]:[101]:[48,0000:5555:1010]:[32,11.11.11.201]:[101]
* i              5.5.5.5          0          100          0          i  5.5.5.5          VXLAN
*>i [3]:[101]:[32,5.5.5.5]
* i              5.5.5.5          0          100          0          i  5.5.5.5          VXLAN

RD[5.5.5.5:21]
*>i [2]:[0]:[201]:[48,0000:0000:1111]:[32,21.21.21.1]:[201]
* i              5.5.5.5          0          100          0          i  5.5.5.5          VXLAN
*>i [2]:[0]:[201]:[48,0000:0000:1111]:[128,21:21::21:1]:[201]
* i              5.5.5.5          0          100          0          i  5.5.5.5          VXLAN
*>i [3]:[201]:[32,5.5.5.5]
* i              5.5.5.5          0          100          0          i  5.5.5.5          VXLAN

```

Total number of prefixes 57
TB2-VTEP4#

VTEP5

TB2-VTEP5#show nvo vxlan tunnel

VXLAN Network tunnel Entries

Source	Destination	Status	Up/Down	Update
5.5.5.5	2.2.2.2	Installed	00:13:36	00:13:36
5.5.5.5	4.4.4.4	Installed	00:13:36	00:13:36
5.5.5.5	1.1.1.1	Installed	00:13:36	00:13:36

Total number of entries are 3

TB2-VTEP5#show nvo vxlan

VXLAN Information

=====

Codes: NW - Network Port
 AC - Access Port
 (u) - Untagged

VNID	VNI-Name	VNI-Type	Type	Interface	ESI	VLAN	DF-Status	Src-Addr	Dst-Addr
101	VNI-101	L2	NW	----	----	----	----	5.5.5.5	2.2.2.2
101	VNI-101	L2	NW	----	----	----	----	5.5.5.5	4.4.4.4
101	VNI-101	L2	NW	----	----	----	----	5.5.5.5	1.1.1.1
101	VNI-101	--	AC	xe48	---	10	----	----	----
201	VNI-201	L2	NW	----	----	----	----	5.5.5.5	2.2.2.2
201	VNI-201	L2	NW	----	----	----	----	5.5.5.5	4.4.4.4
201	VNI-201	L2	NW	----	----	----	----	5.5.5.5	1.1.1.1

Total number of entries are 7

TB2-VTEP5#show nvo vxlan arp-cache

VXLAN ARP-CACHE Information

=====

VNID	Ip-Addr	Mac-Addr	Type	Age-Out	Retries-Left
201	21.21.21.51	0000.2222.1020	Static Remote	----	----
201	21.21.21.1	0000.0000.1111	Static Local	----	----
201	21.21.21.101	0000.4444.1020	Static Remote	----	----
101	11.11.11.51	0000.2222.1010	Static Remote	----	----
101	11.11.11.1	0000.0000.1111	Static Local	----	----
101	11.11.11.201	0000.5555.1010	Static Local	----	----

Total number of entries are 6

TB2-VTEP5#show nvo vxlan nd-cache

VXLAN ND-CACHE Information

=====

VNID	Ip-Addr	Mac-Addr	Type	Age-Out	Retries-Left
201	21:21::21:1	0000.0000.1111	Static Local	----	----
101	11:11::11:1	0000.0000.1111	Static Local	----	----

Total number of entries are 2

TB2-VTEP5#show nvo vxlan l3vni-map

L3VNI L2VNI IRB-interface

L3VNI	L2VNI	IRB-interface
1000	101	irb1001
1000	201	irb2001

TB2-VTEP5#show ip route vrf L3VRF1

Codes: K - kernel, C - connected, S - static, R - RIP, B - BGP

O - OSPF, IA - OSPF inter area

N1 - OSPF NSSA external type 1, N2 - OSPF NSSA external type 2

E1 - OSPF external type 1, E2 - OSPF external type 2

i - IS-IS, L1 - IS-IS level-1, L2 - IS-IS level-2,

ia - IS-IS inter area, E - EVPN,

v - vrf leaked

* - candidate default

IP Route Table for VRF "L3VRF1"

C	11.11.11.0/24	is directly connected,	irb1001,	00:14:07
C	21.21.21.0/24	is directly connected,	irb2001,	00:14:05
C	127.0.0.0/8	is directly connected,	lo.L3VRF1,	00:20:00

Gateway of last resort is not set

TB2-VTEP5#show ipv6 route vrf L3VRF1

```

IPv6 Routing Table
Codes: K - kernel route, C - connected, S - static, R - RIP, O - OSPF,
      IA - OSPF inter area, E1 - OSPF external type 1,
      E2 - OSPF external type 2, E - EVPN N1 - OSPF NSSA external type 1,
      N2 - OSPF NSSA external type 2, i - IS-IS, B - BGP
Timers: Uptime

IP Route Table for VRF "L3VRF1"
C    ::1/128 via ::, lo.L3VRF1, 00:20:00
C    11:11::/48 via ::, irb1001, 00:14:07
C    21:21::/48 via ::, irb2001, 00:14:05
C    fe80::/64 via ::, irb2001, 00:14:05
TB2-VTEP5#show ip route summary

-----
IP routing table name is Default-IP-Routing-Table(0)
-----
IP routing table maximum-paths    : 8
Total number of IPv4 routes       : 12
Total number of IPv4 paths        : 12
Pending routes (due to route max reached): 0
Route Source    Networks
connected       3
ospf            9
Total           12
FIB             12

ECMP statistics (active in ASIC):
  Total number of IPv4 ECMP routes : 0
  Total number of IPv4 ECMP paths  : 0
TB2-VTEP5#show ipv6 route summary

-----
IPv6 routing table name is Default-IPv6-Routing-Table(0)
-----
IPv6 routing table maximum-paths : 8
Total number of IPv6 routes       : 2
Total number of IPv6 paths        : 2
Pending routes (due to route max reached): 0
Route Source    Networks
connected       2
Total           2
FIB             2

ECMP statistics (active in ASIC):
  Total number of IPv6 ECMP routes : 0
  Total number of IPv6 ECMP paths  : 0
TB2-VTEP5#show bgp l2vpn evpn
BGP table version is 7, local router ID is 5.5.5.5
Status codes: s suppressed, d damped, h history, * valid, > best, i - internal,
              l - labeled, S Stale
Origin codes: i - IGP, e - EGP, ? - incomplete

[EVPN route type]:[ESI]:[VNID]:[relevent route informantion]
1 - Ethernet Auto-discovery Route
2 - MAC/IP Route
3 - Inclusive Multicast Route
4 - Ethernet Segment Route
5 - Prefix Route

      Network          Next Hop          Metric    LocPrf    Weight    Path Peer          Encap

RD[11000:11]
*>i  [5]:[0]:[1000]:[24]:[11.11.11.0]:[0.0.0.0]:[1000]
      1.1.1.1          0             100       0    ?  1.1.1.1          VXLAN
*>i  [5]:[0]:[1000]:[24]:[21.21.21.0]:[0.0.0.0]:[1000]
      1.1.1.1          0             100       0    ?  1.1.1.1          VXLAN

RD[21000:11]
*>i  [5]:[0]:[1000]:[24]:[11.11.11.0]:[0.0.0.0]:[1000]
      2.2.2.2          0             100       0    ?  2.2.2.2          VXLAN
*>i  [5]:[0]:[1000]:[24]:[21.21.21.0]:[0.0.0.0]:[1000]
      2.2.2.2          0             100       0    ?  2.2.2.2          VXLAN

```

VXLAN-EVPN with IRB

RD[41000:11]

```
*>i [5]:[0]:[1000]:[24]:[11.11.11.0]:[0.0.0.0]:[1000]
    4.4.4.4          0          100      0    ?  4.4.4.4          VXLAN
*>i [5]:[0]:[1000]:[24]:[21.21.21.0]:[0.0.0.0]:[1000]
    4.4.4.4          0          100      0    ?  4.4.4.4          VXLAN
```

RD[1.1.1.1:1]

```
*>i [1]:[00:00:00:00:00:22:22:00:00:00]:[4294967295]:[0]
    1.1.1.1          0          100      0    i  1.1.1.1          VXLAN
*>i [4]:[00:00:00:00:00:22:22:00:00:00]:[32,1.1.1.1]
    1.1.1.1          0          100      0    i  1.1.1.1          VXLAN
```

RD[1.1.1.1:11]

```
*>i [1]:[00:00:00:00:00:22:22:00:00:00]:[101]:[101]
    1.1.1.1          0          100      0    i  1.1.1.1          VXLAN
*>i [2]:[0]:[101]:[48,0000:0000:1111]:[32,11.11.11.1]:[101]
    1.1.1.1          0          100      0    i  1.1.1.1          VXLAN
*>i [2]:[0]:[101]:[48,0000:0000:1111]:[128,11:11::11:1]:[101]
    1.1.1.1          0          100      0    i  1.1.1.1          VXLAN
*>i [2]:[00:00:00:00:00:22:22:00:00:00]:[101]:[48,0000:2222:1010]:[32,11.11.11.51]:[101]
    1.1.1.1          0          100      0    i  1.1.1.1          VXLAN
*>i [3]:[101]:[32,1.1.1.1]
    1.1.1.1          0          100      0    i  1.1.1.1          VXLAN
```

RD[1.1.1.1:21]

```
*>i [1]:[00:00:00:00:00:22:22:00:00:00]:[201]:[201]
    1.1.1.1          0          100      0    i  1.1.1.1          VXLAN
*>i [2]:[0]:[201]:[48,0000:0000:1111]:[32,21.21.21.1]:[201]
    1.1.1.1          0          100      0    i  1.1.1.1          VXLAN
*>i [2]:[0]:[201]:[48,0000:0000:1111]:[128,21:21::21:1]:[201]
    1.1.1.1          0          100      0    i  1.1.1.1          VXLAN
*>i [2]:[00:00:00:00:00:22:22:00:00:00]:[201]:[48,0000:2222:1020]:[32,21.21.21.51]:[201]
    1.1.1.1          0          100      0    i  1.1.1.1          VXLAN
*>i [3]:[201]:[32,1.1.1.1]
    1.1.1.1          0          100      0    i  1.1.1.1          VXLAN
```

RD[2.2.2.2:1]

```
*>i [1]:[00:00:00:00:00:22:22:00:00:00]:[4294967295]:[0]
    2.2.2.2          0          100      0    i  2.2.2.2          VXLAN
*>i [4]:[00:00:00:00:00:22:22:00:00:00]:[32,2.2.2.2]
    2.2.2.2          0          100      0    i  2.2.2.2          VXLAN
```

RD[2.2.2.2:11]

```
*>i [1]:[00:00:00:00:00:22:22:00:00:00]:[101]:[101]
    2.2.2.2          0          100      0    i  2.2.2.2          VXLAN
*>i [2]:[0]:[101]:[48,0000:0000:1111]:[32,11.11.11.1]:[101]
    2.2.2.2          0          100      0    i  2.2.2.2          VXLAN
*>i [2]:[0]:[101]:[48,0000:0000:1111]:[128,11:11::11:1]:[101]
    2.2.2.2          0          100      0    i  2.2.2.2          VXLAN
*>i [2]:[00:00:00:00:00:22:22:00:00:00]:[101]:[48,0000:2222:1010]:[32,11.11.11.51]:[101]
    2.2.2.2          0          100      0    i  2.2.2.2          VXLAN
*>i [3]:[101]:[32,2.2.2.2]
    2.2.2.2          0          100      0    i  2.2.2.2          VXLAN
```

RD[2.2.2.2:21]

```
*>i [1]:[00:00:00:00:00:22:22:00:00:00]:[201]:[201]
    2.2.2.2          0          100      0    i  2.2.2.2          VXLAN
*>i [2]:[0]:[201]:[48,0000:0000:1111]:[32,21.21.21.1]:[201]
    2.2.2.2          0          100      0    i  2.2.2.2          VXLAN
*>i [2]:[0]:[201]:[48,0000:0000:1111]:[128,21:21::21:1]:[201]
    2.2.2.2          0          100      0    i  2.2.2.2          VXLAN
*>i [2]:[00:00:00:00:00:22:22:00:00:00]:[201]:[48,0000:2222:1020]:[32,21.21.21.51]:[201]
    2.2.2.2          0          100      0    i  2.2.2.2          VXLAN
*>i [3]:[201]:[32,2.2.2.2]
    2.2.2.2          0          100      0    i  2.2.2.2          VXLAN
```

RD[4.4.4.4:11]

```
*>i [2]:[0]:[101]:[48,0000:0000:1111]:[32,11.11.11.1]:[101]
    4.4.4.4          0          100      0    i  4.4.4.4          VXLAN
*>i [2]:[0]:[101]:[48,0000:0000:1111]:[128,11:11::11:1]:[101]
    4.4.4.4          0          100      0    i  4.4.4.4          VXLAN
*>i [3]:[101]:[32,4.4.4.4]
```

```

4.4.4.4          0          100          0          i  4.4.4.4          VXLAN

RD[4.4.4.4:21]
*>i  [2]:[0]:[201]:[48,0000:0000:1111]:[32,21.21.21.1]:[201]
4.4.4.4          0          100          0          i  4.4.4.4          VXLAN
*>i  [2]:[0]:[201]:[48,0000:0000:1111]:[128,21:21::21:1]:[201]
4.4.4.4          0          100          0          i  4.4.4.4          VXLAN
*>i  [2]:[0]:[201]:[48,0000:4444:1020]:[32,21.21.21.101]:[201]
4.4.4.4          0          100          0          i  4.4.4.4          VXLAN
*>i  [3]:[201]:[32,4.4.4.4]
4.4.4.4          0          100          0          i  4.4.4.4          VXLAN

RD[5.5.5.5:11] VRF[L2VRF1]:
* i  [1]:[00:00:00:00:00:22:22:00:00:00]:[101]:[101]
1.1.1.1          0          100          0          i  1.1.1.1          VXLAN
* i  2.2.2.2          0          100          0          i  2.2.2.2          VXLAN
* i  [1]:[00:00:00:00:00:22:22:00:00:00]:[4294967295]:[0]
1.1.1.1          0          100          0          i  1.1.1.1          VXLAN
* i  2.2.2.2          0          100          0          i  2.2.2.2          VXLAN
*>  [2]:[0]:[101]:[48,0000:0000:1111]:[32,11.11.11.1]:[101]
5.5.5.5          0          100          32768        i  -----          VXLAN
* i  4.4.4.4          0          100          0          i  4.4.4.4          VXLAN
* i  2.2.2.2          0          100          0          i  2.2.2.2          VXLAN
* i  1.1.1.1          0          100          0          i  1.1.1.1          VXLAN
*>  [2]:[0]:[101]:[48,0000:0000:1111]:[128,11:11::11:1]:[101]
5.5.5.5          0          100          32768        i  -----          VXLAN
* i  4.4.4.4          0          100          0          i  4.4.4.4          VXLAN
* i  2.2.2.2          0          100          0          i  2.2.2.2          VXLAN
* i  1.1.1.1          0          100          0          i  1.1.1.1          VXLAN
* i  [2]:[00:00:00:00:00:22:22:00:00:00]:[101]:[48,0000:2222:1010]:[32,11.11.11.51]:[101]
1.1.1.1          0          100          0          i  1.1.1.1          VXLAN
* i  2.2.2.2          0          100          0          i  2.2.2.2          VXLAN
*>  [2]:[0]:[101]:[48,0000:5555:1010]:[32,11.11.11.201]:[101]
5.5.5.5          0          100          32768        i  -----          VXLAN
* i  [3]:[101]:[32,1.1.1.1]
1.1.1.1          0          100          0          i  1.1.1.1          VXLAN
* i  [3]:[101]:[32,2.2.2.2]
2.2.2.2          0          100          0          i  2.2.2.2          VXLAN
* i  [3]:[101]:[32,4.4.4.4]
4.4.4.4          0          100          0          i  4.4.4.4          VXLAN
*>  [3]:[101]:[32,5.5.5.5]
5.5.5.5          0          100          32768        i  -----          VXLAN

RD[5.5.5.5:21] VRF[L2VRF2]:
* i  [1]:[00:00:00:00:00:22:22:00:00:00]:[201]:[201]
1.1.1.1          0          100          0          i  1.1.1.1          VXLAN
* i  2.2.2.2          0          100          0          i  2.2.2.2          VXLAN
* i  [1]:[00:00:00:00:00:22:22:00:00:00]:[4294967295]:[0]
1.1.1.1          0          100          0          i  1.1.1.1          VXLAN
* i  2.2.2.2          0          100          0          i  2.2.2.2          VXLAN
*>  [2]:[0]:[201]:[48,0000:0000:1111]:[32,21.21.21.1]:[201]
5.5.5.5          0          100          32768        i  -----          VXLAN
* i  4.4.4.4          0          100          0          i  4.4.4.4          VXLAN
* i  2.2.2.2          0          100          0          i  2.2.2.2          VXLAN
* i  1.1.1.1          0          100          0          i  1.1.1.1          VXLAN
*>  [2]:[0]:[201]:[48,0000:0000:1111]:[128,21:21::21:1]:[201]
5.5.5.5          0          100          32768        i  -----          VXLAN
* i  4.4.4.4          0          100          0          i  4.4.4.4          VXLAN
* i  2.2.2.2          0          100          0          i  2.2.2.2          VXLAN
* i  1.1.1.1          0          100          0          i  1.1.1.1          VXLAN
* i  [2]:[00:00:00:00:00:22:22:00:00:00]:[201]:[48,0000:2222:1020]:[32,21.21.21.51]:[201]
1.1.1.1          0          100          0          i  1.1.1.1          VXLAN
* i  2.2.2.2          0          100          0          i  2.2.2.2          VXLAN
* i  [2]:[0]:[201]:[48,0000:4444:1020]:[32,21.21.21.101]:[201]
4.4.4.4          0          100          0          i  4.4.4.4          VXLAN
* i  [3]:[201]:[32,1.1.1.1]
1.1.1.1          0          100          0          i  1.1.1.1          VXLAN
* i  [3]:[201]:[32,2.2.2.2]
2.2.2.2          0          100          0          i  2.2.2.2          VXLAN
* i  [3]:[201]:[32,4.4.4.4]
4.4.4.4          0          100          0          i  4.4.4.4          VXLAN
*>  [3]:[201]:[32,5.5.5.5]
5.5.5.5          0          100          32768        i  -----          VXLAN

```

Total number of prefixes 57
TB2-VTEP5#

Distributed Gateway

In distributed gateway approach, VTEP will act as default gateways for one or more VNIDs, Each VTEP having its own default gateway IP and MAC configuration for a given VNID.

IRB Configuration for Distributed

Configure from Base Configuration-L2 VXLAN section, then configure below commands for centralized distributed approach.

VTEP4

(config)#nvo vxlan irb	Enable VXLAN irb
(config)#commit	Commit the candidate configuration to running configuration and save config and reload board
(config)#ip vrf L3VRF1	Create MAC routing/forwarding instance with L3VRF1 name and enter into VRF mode
(config-vrf)#rd 41000:11	Assign RD value
(config-vrf)# route-target both 100:100	Assign route-target value for same for import and export.
(config-vrf)# l3vni 1000	Configure L3VNI as 1000 for L3VRF1
(config-vrf)#exit	Exit from VRF mode
(config)# interface irb2001	Configure IRB interface 2001
(config-if)#ip vrf forwarding L3VRF1	Configure L3VRF1
(config-if)#ip address 21.21.21.1/24	Configure IP address
(config-if)#ipv6 address 21:21::21:1/48	Configure IPv6 address
(config-if)#exit	Exit from interface config mode
(config)#commit	Commit the candidate configuration to running configuration and save config and reload board
(config)#router bgp 5000	Enter into BGP router mode
(config-router)#address-family ipv4 vrf L3VRF1	Enter into address-family mode for L3VRF1
(config-router-af)#redistribute connected	Redistribute connected
(config-router-af)#exit-address-family	Exit from address-family
(config)#nvo vxlan id 201 ingress-replication inner-vid-disabled	Configure VXLAN Network identifier with/without inner-vid-disabled configure and enter into VXLAN tenant mode
(config-nvo)#vxlan host-reachability-protocol evpn-bgp L2VRF2	Assign VRF for EVPN-BGP to carry EVPN route
(config-nvo)# evpn irb2001	Configure IRB2001 under VXLAN id 201
(config-nvo)#exit	Exit from VXLAN tenant mode and enter into configuration mode.
(config)#commit	Commit the candidate configuration to running configuration and save config and reload board

VTEP5

Unconfigure vniid 201 from nvo vxlan.

(config)#nvo vxlan irb	Enable VXLAN IRB
(config)#commit	Commit the candidate configuration to running configuration and save config and reload board
(config)#ip vrf L3VRF1	Create mac routing/forwarding instance with L3VRF1 name and enter into VRF mode
(config-vrf)#rd 51000:11	Assign RD value
(config-vrf)# route-target both 100:100	Assign route-target value for same for import and export.
(config-vrf)# l3vni 1000	Configure L3VNI as 1000 for L3VRF1
(config-vrf)#exit	Exit from VRF mode
(config)#commit	Commit the candidate configuration to running configuration and save config and reload board
(config)# interface irb1001	Configure IRB interface 1001
(config-if)#ip vrf forwarding L3VRF1	Configure L3VRF1
(config-if)#ip address 11.11.11.1/24	Configure IP address
(config-if)#ipv6 address 11:11::11:1/48	Configure IPv6 address
(config-if)#exit	Exit from interface config mode
(config)#router bgp 5000	Enter into BGP router mode
(config-router)#address-family ipv4 vrf L3VRF1	Enter into address-family mode for L3VRF1
(config-router-af)#redistribute connected	Redistribute connected
(config-router-af)#exit-address-family	Exit from address-family
(config)# nvo vxlan id 101 ingress-replication inner-vid-disabled	Configure VXLAN Network identifier with/without inner-vid-disabled configure and enter into VXLAN tenant mode
(config-nvo)#vxlan host-reachability-protocol evpn-bgp L2VRF1	Assign VRF for EVPN-BGP to carry EVPN route
(config-nvo)# evpn irb1001	Configure IRB under VXLAN id 101
(config-nvo)#exit	Exit from VXLAN tenant mode and enter into configuration mode.
(config)#commit	Commit the candidate configuration to running configuration and save config and reload board

Validations**VTEP4**

```
TB2-VTEP4#show nvo vxlan tunnel
VXLAN Network tunnel Entries
Source          Destination    Status      Up/Down      Update
=====
4.4.4.4         2.2.2.2       Installed   00:01:17    00:01:17
4.4.4.4         1.1.1.1       Installed   00:01:17    00:01:17
4.4.4.4         5.5.5.5       Installed   00:02:22    00:02:22

Total number of entries are 3
TB2-VTEP4#show nvo vxlan
VXLAN Information
=====
```

VXLAN-EVPN with IRB

Codes: NW - Network Port
 AC - Access Port
 (u) - Untagged

VNID	VNI-Name	VNI-Type	Type	Interface	ESI	VLAN	DF-Status	Src-Addr	Dst-Addr
201	VNI-201	L2	NW	----	----	----	----	4.4.4.4	2.2.2.2
201	VNI-201	L2	NW	----	----	----	----	4.4.4.4	1.1.1.1
201	VNI-201	--	AC	sa1	---	20	----	Single Homed Port	----
1000	----	L3	NW	----	----	----	----	4.4.4.4	5.5.5.5

Total number of entries are 4
 TB2-VTEP4#show nvo vxlan arp-cache
 VXLAN ARP-CACHE Information

VNID	Ip-Addr	Mac-Addr	Type	Age-Out	Retries-Left
201	21.21.21.51	0000.2222.1020	Static Remote	----	----
201	21.21.21.1	3c2c.99c7.077a	Static Local	----	----
201	21.21.21.101	0000.4444.1020	Static Local	----	----

Total number of entries are 3
 TB2-VTEP4#show nvo vxlan l3vni-map
 L3VNI L2VNI IRB-interface

1000	201	irb2001
------	-----	---------

TB2-VTEP4#show ip route vrf L3VRF1
 Codes: K - kernel, C - connected, S - static, R - RIP, B - BGP
 O - OSPF, IA - OSPF inter area
 N1 - OSPF NSSA external type 1, N2 - OSPF NSSA external type 2
 E1 - OSPF external type 1, E2 - OSPF external type 2
 i - IS-IS, L1 - IS-IS level-1, L2 - IS-IS level-2,
 ia - IS-IS inter area, E - EVPN,
 v - vrf leaked
 * - candidate default

IP Route Table for VRF "L3VRF1"
 B 5.5.5.5/32 [0/0] is directly connected, tunvxlan2, 00:02:23
 B 11.11.11.0/24 [200/0] via 5.5.5.5 (recursive is directly connected, tunvxlan2), 00:01:26
 C 21.21.21.0/24 is directly connected, irb2001, 00:01:18
 C 127.0.0.0/8 is directly connected, lo.L3VRF1, 00:02:23

Gateway of last resort is not set
 TB2-VTEP4#show ip route summary

IP routing table name is Default-IP-Routing-Table(0)

IP routing table maximum-paths : 8
 Total number of IPv4 routes : 12
 Total number of IPv4 paths : 12
 Pending routes (due to route max reached): 0
 Route Source Networks
 connected 3
 ospf 9
 Total 12
 FIB 12

ECMP statistics (active in ASIC):
 Total number of IPv4 ECMP routes : 0
 Total number of IPv4 ECMP paths : 0
 TB2-VTEP4#show bgp l2vpn evpn
 BGP table version is 13, local router ID is 4.4.4.4
 Status codes: s suppressed, d damped, h history, * valid, > best, i - internal,
 l - labeled, S Stale
 Origin codes: i - IGP, e - EGP, ? - incomplete

[EVPN route type]:[ESI]:[VNID]:[relevent route informantion]
 1 - Ethernet Auto-discovery Route
 2 - MAC/IP Route
 3 - Inclusive Multicast Route

4 - Ethernet Segment Route
5 - Prefix Route

Network	Next Hop	Metric	LocPrf	Weight	Path	Peer	Encap
RD[51000:11]							
*>i [5]:[0]:[1000]:[24]:[11.11.11.0]:[0.0.0.0]:[1000]	5.5.5.5	0	100	0	?	5.5.5.5	VXLAN
RD[1.1.1.1:1]							
*>i [1]:[00:00:00:00:00:22:22:00:00:00]:[4294967295]:[0]	1.1.1.1	0	100	0	i	1.1.1.1	VXLAN
*>i [4]:[00:00:00:00:00:22:22:00:00:00]:[32,1.1.1.1]	1.1.1.1	0	100	0	i	1.1.1.1	VXLAN
RD[1.1.1.1:11]							
*>i [1]:[00:00:00:00:00:22:22:00:00:00]:[101]:[101]	1.1.1.1	0	100	0	i	1.1.1.1	VXLAN
*>i [2]:[00:00:00:00:00:22:22:00:00:00]:[101]:[48,0000:2222:1010]:[32,11.11.11.51]:[101]	1.1.1.1	0	100	0	i	1.1.1.1	VXLAN
*>i [3]:[101]:[32,1.1.1.1]	1.1.1.1	0	100	0	i	1.1.1.1	VXLAN
RD[1.1.1.1:21]							
*>i [1]:[00:00:00:00:00:22:22:00:00:00]:[201]:[201]	1.1.1.1	0	100	0	i	1.1.1.1	VXLAN
*>i [2]:[00:00:00:00:00:22:22:00:00:00]:[201]:[48,0000:2222:1020]:[32,21.21.21.51]:[201]	1.1.1.1	0	100	0	i	1.1.1.1	VXLAN
*>i [3]:[201]:[32,1.1.1.1]	1.1.1.1	0	100	0	i	1.1.1.1	VXLAN
RD[2.2.2.2:1]							
*>i [1]:[00:00:00:00:00:22:22:00:00:00]:[4294967295]:[0]	2.2.2.2	0	100	0	i	2.2.2.2	VXLAN
*>i [4]:[00:00:00:00:00:22:22:00:00:00]:[32,2.2.2.2]	2.2.2.2	0	100	0	i	2.2.2.2	VXLAN
RD[2.2.2.2:11]							
*>i [1]:[00:00:00:00:00:22:22:00:00:00]:[101]:[101]	2.2.2.2	0	100	0	i	2.2.2.2	VXLAN
*>i [2]:[00:00:00:00:00:22:22:00:00:00]:[101]:[48,0000:2222:1010]:[32,11.11.11.51]:[101]	2.2.2.2	0	100	0	i	2.2.2.2	VXLAN
*>i [3]:[101]:[32,2.2.2.2]	2.2.2.2	0	100	0	i	2.2.2.2	VXLAN
RD[2.2.2.2:21]							
*>i [1]:[00:00:00:00:00:22:22:00:00:00]:[201]:[201]	2.2.2.2	0	100	0	i	2.2.2.2	VXLAN
*>i [2]:[00:00:00:00:00:22:22:00:00:00]:[201]:[48,0000:2222:1020]:[32,21.21.21.51]:[201]	2.2.2.2	0	100	0	i	2.2.2.2	VXLAN
*>i [3]:[201]:[32,2.2.2.2]	2.2.2.2	0	100	0	i	2.2.2.2	VXLAN
RD[4.4.4.4:11] VRF[L2VRF1]:							
* i [1]:[00:00:00:00:00:22:22:00:00:00]:[101]:[101]	1.1.1.1	0	100	0	i	1.1.1.1	VXLAN
* i [1]:[00:00:00:00:00:22:22:00:00:00]:[4294967295]:[0]	2.2.2.2	0	100	0	i	2.2.2.2	VXLAN
* i [1]:[00:00:00:00:00:22:22:00:00:00]:[4294967295]:[0]	1.1.1.1	0	100	0	i	1.1.1.1	VXLAN
* i [1]:[00:00:00:00:00:22:22:00:00:00]:[4294967295]:[0]	2.2.2.2	0	100	0	i	2.2.2.2	VXLAN
* i [2]:[00:00:00:00:00:22:22:00:00:00]:[101]:[48,0000:2222:1010]:[32,11.11.11.51]:[101]	1.1.1.1	0	100	0	i	1.1.1.1	VXLAN
* i [2]:[00:00:00:00:00:22:22:00:00:00]:[101]:[48,0000:2222:1010]:[32,11.11.11.51]:[101]	2.2.2.2	0	100	0	i	2.2.2.2	VXLAN
* i [2]:[0]:[101]:[48,0000:5555:1010]:[32,11.11.11.201]:[101]	5.5.5.5	0	100	0	i	5.5.5.5	VXLAN
* i [2]:[0]:[101]:[48,3c2c:99d6:167a]:[32,11.11.11.1]:[101]	5.5.5.5	0	100	0	i	5.5.5.5	VXLAN
* i [2]:[0]:[101]:[48,3c2c:99d6:167a]:[128,11:11::11:1]:[101]	5.5.5.5	0	100	0	i	5.5.5.5	VXLAN
* i [3]:[101]:[32,1.1.1.1]	1.1.1.1	0	100	0	i	1.1.1.1	VXLAN
* i [3]:[101]:[32,2.2.2.2]	2.2.2.2	0	100	0	i	2.2.2.2	VXLAN

VXLAN-EVPN with IRB

```
* i [3]:[101]:[32,5.5.5.5]
      5.5.5.5          0      100      0      i 5.5.5.5          VXLAN

RD[4.4.4.4:21] VRF[L2VRF2]:
* i [1]:[00:00:00:00:00:22:22:00:00:00]:[201]:[201]
      1.1.1.1          0      100      0      i 1.1.1.1          VXLAN
* i      2.2.2.2          0      100      0      i 2.2.2.2          VXLAN
* i [1]:[00:00:00:00:00:22:22:00:00:00]:[4294967295]:[0]
      1.1.1.1          0      100      0      i 1.1.1.1          VXLAN
* i      2.2.2.2          0      100      0      i 2.2.2.2          VXLAN
* i [2]:[00:00:00:00:00:22:22:00:00:00]:[201]:[48,0000:2222:1020]:[32,21.21.21.51]:[201]
      1.1.1.1          0      100      0      i 1.1.1.1          VXLAN
* i      2.2.2.2          0      100      0      i 2.2.2.2          VXLAN
*> [2]:[0]:[201]:[48,0000:4444:1020]:[32,21.21.21.101]:[201]
      4.4.4.4          0      100      32768  i -----          VXLAN
*> [2]:[0]:[201]:[48,3c2c:99c7:077a]:[32,21.21.21.1]:[201]
      4.4.4.4          0      100      32768  i -----          VXLAN
*> [2]:[0]:[201]:[48,3c2c:99c7:077a]:[128,21:21::21:1]:[201]
      4.4.4.4          0      100      32768  i -----          VXLAN
* i [3]:[201]:[32,1.1.1.1]
      1.1.1.1          0      100      0      i 1.1.1.1          VXLAN
* i [3]:[201]:[32,2.2.2.2]
      2.2.2.2          0      100      0      i 2.2.2.2          VXLAN
*> [3]:[201]:[32,4.4.4.4]
      4.4.4.4          0      100      32768  i -----          VXLAN

RD[5.5.5.5:11]
*>i [2]:[0]:[101]:[48,0000:5555:1010]:[32,11.11.11.201]:[101]
      5.5.5.5          0      100      0      i 5.5.5.5          VXLAN
*>i [2]:[0]:[101]:[48,3c2c:99d6:167a]:[32,11.11.11.1]:[101]
      5.5.5.5          0      100      0      i 5.5.5.5          VXLAN
*>i [2]:[0]:[101]:[48,3c2c:99d6:167a]:[128,11:11::11:1]:[101]
      5.5.5.5          0      100      0      i 5.5.5.5          VXLAN
*>i [3]:[101]:[32,5.5.5.5]
      5.5.5.5          0      100      0      i 5.5.5.5          VXLAN
```

Total number of prefixes 39
TB2-VTEP4#

VTEP5

TB2-VTEP5#show nvo vxlan tunnel

VXLAN Network tunnel Entries

Source	Destination	Status	Up/Down	Update
5.5.5.5	2.2.2.2	Installed	00:34:13	00:34:13
5.5.5.5	4.4.4.4	Installed	00:01:26	00:01:26
5.5.5.5	1.1.1.1	Installed	00:34:13	00:34:13

Total number of entries are 3

TB2-VTEP5#show nvo vxlan

VXLAN Information

=====

Codes: NW - Network Port
AC - Access Port
(u) - Untagged

VNID	VNI-Name	VNI-Type	Type	Interface	ESI	VLAN	DF-Status	Src-Addr	Dst-Addr
101	VNI-101	L2	NW	----	----	----	----	5.5.5.5	2.2.2.2
101	VNI-101	L2	NW	----	----	----	----	5.5.5.5	1.1.1.1
101	VNI-101	--	AC	xe48	---	Single Homed Port	---	10	----
1000	----	L3	NW	----	----	----	----	5.5.5.5	4.4.4.4

Total number of entries are 4

TB2-VTEP5#show nvo vxlan arp-cache

VXLAN ARP-CACHE Information

=====

VNID	Ip-Addr	Mac-Addr	Type	Age-Out	Retries-Left
101	11.11.11.51	0000.2222.1010	Static Remote	----	----

```
101      11.11.11.1      3c2c.99d6.167a Static Local ----
101      11.11.11.201    0000.5555.1010 Static Local ----
```

Total number of entries are 3

Total number of entries are 1

TB2-VTEP5#show nvo vxlan l3vni-map

```
 L3VNI      L2VNI      IRB-interface
=====
1000      101      irb1001
```

TB2-VTEP5#show ip route vrf L3VRF1

Codes: K - kernel, C - connected, S - static, R - RIP, B - BGP

O - OSPF, IA - OSPF inter area

N1 - OSPF NSSA external type 1, N2 - OSPF NSSA external type 2

E1 - OSPF external type 1, E2 - OSPF external type 2

i - IS-IS, L1 - IS-IS level-1, L2 - IS-IS level-2,

ia - IS-IS inter area, E - EVPN,

v - vrf leaked

* - candidate default

IP Route Table for VRF "L3VRF1"

```
B      4.4.4.4/32 [0/0] is directly connected, tunvxlan2, 00:01:26
C      11.11.11.0/24 is directly connected, irb1001, 00:34:43
B      21.21.21.0/24 [200/0] via 4.4.4.4 (recursive is directly connected, tunvxlan2), 00:01:26
C      127.0.0.0/8 is directly connected, lo.L3VRF1, 00:40:36
```

Gateway of last resort is not set

TB2-VTEP5#show ip route summary

```
-----
IP routing table name is Default-IP-Routing-Table(0)
-----
```

```
IP routing table maximum-paths : 8
Total number of IPv4 routes : 12
Total number of IPv4 paths : 12
Pending routes (due to route max reached): 0
Route Source      Networks
connected         3
ospf              9
Total            12
FIB               12
```

ECMP statistics (active in ASIC):

Total number of IPv4 ECMP routes : 0

Total number of IPv4 ECMP paths : 0

TB2-VTEP5#show bgp l2vpn evpn

BGP table version is 13, local router ID is 5.5.5.5

Status codes: s suppressed, d damped, h history, * valid, > best, i - internal,

l - labeled, S Stale

Origin codes: i - IGP, e - EGP, ? - incomplete

[EVPN route type]:[ESI]:[VNID]:[relevent route informantion]

1 - Ethernet Auto-discovery Route

2 - MAC/IP Route

3 - Inclusive Multicast Route

4 - Ethernet Segment Route

5 - Prefix Route

Network	Next Hop	Metric	LocPrf	Weight	Path	Peer	Encap
RD[41000:11]							
*>i [5]:[0]:[1000]:[24]:[21.21.21.0]:[0.0.0.0]:[1000]	4.4.4.4	0	100	0	?	4.4.4.4	VXLAN
RD[1.1.1.1:1]							
*>i [1]:[00:00:00:00:00:22:22:00:00:00]:[4294967295]:[0]	1.1.1.1	0	100	0	i	1.1.1.1	VXLAN
*>i [4]:[00:00:00:00:00:22:22:00:00:00]:[32,1.1.1.1]	1.1.1.1	0	100	0	i	1.1.1.1	VXLAN
RD[1.1.1.1:11]							
*>i [1]:[00:00:00:00:00:22:22:00:00:00]:[101]:[101]	1.1.1.1	0	100	0	i	1.1.1.1	VXLAN
*>i [2]:[00:00:00:00:00:22:22:00:00:00]:[101]:[48,0000:2222:1010]:[32,11.11.11.51]:[101]							

VXLAN-EVPN with IRB

```

1.1.1.1          0          100          0          i 1.1.1.1          VXLAN
*>i [3]:[101]:[32,1.1.1.1]
1.1.1.1          0          100          0          i 1.1.1.1          VXLAN

RD[1.1.1.1:21]
*>i [1]:[00:00:00:00:00:22:22:00:00:00]:[201]:[201]
1.1.1.1          0          100          0          i 1.1.1.1          VXLAN
*>i [2]:[00:00:00:00:00:22:22:00:00:00]:[201]:[48,0000:2222:1020]:[32,21.21.21.51]:[201]
1.1.1.1          0          100          0          i 1.1.1.1          VXLAN
*>i [3]:[201]:[32,1.1.1.1]
1.1.1.1          0          100          0          i 1.1.1.1          VXLAN

RD[2.2.2.2:1]
*>i [1]:[00:00:00:00:00:22:22:00:00:00]:[4294967295]:[0]
2.2.2.2          0          100          0          i 2.2.2.2          VXLAN
*>i [4]:[00:00:00:00:00:22:22:00:00:00]:[32,2.2.2.2]
2.2.2.2          0          100          0          i 2.2.2.2          VXLAN

RD[2.2.2.2:11]
*>i [1]:[00:00:00:00:00:22:22:00:00:00]:[101]:[101]
2.2.2.2          0          100          0          i 2.2.2.2          VXLAN
*>i [2]:[00:00:00:00:00:22:22:00:00:00]:[101]:[48,0000:2222:1010]:[32,11.11.11.51]:[101]
2.2.2.2          0          100          0          i 2.2.2.2          VXLAN
*>i [3]:[101]:[32,2.2.2.2]
2.2.2.2          0          100          0          i 2.2.2.2          VXLAN

RD[2.2.2.2:21]
*>i [1]:[00:00:00:00:00:22:22:00:00:00]:[201]:[201]
2.2.2.2          0          100          0          i 2.2.2.2          VXLAN
*>i [2]:[00:00:00:00:00:22:22:00:00:00]:[201]:[48,0000:2222:1020]:[32,21.21.21.51]:[201]
2.2.2.2          0          100          0          i 2.2.2.2          VXLAN
*>i [3]:[201]:[32,2.2.2.2]
2.2.2.2          0          100          0          i 2.2.2.2          VXLAN

RD[4.4.4.4:21]
*>i [2]:[0]:[201]:[48,0000:4444:1020]:[32,21.21.21.101]:[201]
4.4.4.4          0          100          0          i 4.4.4.4          VXLAN
*>i [2]:[0]:[201]:[48,3c2c:99c7:077a]:[32,21.21.21.1]:[201]
4.4.4.4          0          100          0          i 4.4.4.4          VXLAN
*>i [2]:[0]:[201]:[48,3c2c:99c7:077a]:[128,21:21::21:1]:[201]
4.4.4.4          0          100          0          i 4.4.4.4          VXLAN
*>i [3]:[201]:[32,4.4.4.4]
4.4.4.4          0          100          0          i 4.4.4.4          VXLAN

RD[5.5.5.5:11] VRF[L2VRF1]:
* i [1]:[00:00:00:00:00:22:22:00:00:00]:[101]:[101]
1.1.1.1          0          100          0          i 1.1.1.1          VXLAN
* i [1]:[00:00:00:00:00:22:22:00:00:00]:[4294967295]:[0]
1.1.1.1          0          100          0          i 1.1.1.1          VXLAN
* i [2]:[00:00:00:00:00:22:22:00:00:00]:[101]:[48,0000:2222:1010]:[32,11.11.11.51]:[101]
1.1.1.1          0          100          0          i 1.1.1.1          VXLAN
* i [2]:[0]:[101]:[48,0000:5555:1010]:[32,11.11.11.201]:[101]
5.5.5.5          0          100          32768      i -----          VXLAN
* i [2]:[0]:[101]:[48,3c2c:99d6:167a]:[32,11.11.11.1]:[101]
5.5.5.5          0          100          32768      i -----          VXLAN
* i [2]:[0]:[101]:[48,3c2c:99d6:167a]:[128,11:11::11:1]:[101]
5.5.5.5          0          100          32768      i -----          VXLAN
* i [3]:[101]:[32,1.1.1.1]
1.1.1.1          0          100          0          i 1.1.1.1          VXLAN
* i [3]:[101]:[32,2.2.2.2]
2.2.2.2          0          100          0          i 2.2.2.2          VXLAN
*> [3]:[101]:[32,5.5.5.5]
5.5.5.5          0          100          32768      i -----          VXLAN

RD[5.5.5.5:21] VRF[L2VRF2]:
* i [1]:[00:00:00:00:00:22:22:00:00:00]:[201]:[201]
1.1.1.1          0          100          0          i 1.1.1.1          VXLAN
* i [1]:[00:00:00:00:00:22:22:00:00:00]:[4294967295]:[0]
1.1.1.1          0          100          0          i 1.1.1.1          VXLAN

```

```

* i          2.2.2.2          0          100          0 i 2.2.2.2          VXLAN
* i [2]:[00:00:00:00:00:22:22:00:00:00]:[201]:[48,0000:2222:1020]:[32,21.21.21.51]:[201]
          1.1.1.1          0          100          0 i 1.1.1.1          VXLAN
* i          2.2.2.2          0          100          0 i 2.2.2.2          VXLAN
* i [2]:[0]:[201]:[48,0000:4444:1020]:[32,21.21.21.101]:[201]
          4.4.4.4          0          100          0 i 4.4.4.4          VXLAN
* i [2]:[0]:[201]:[48,3c2c:99c7:077a]:[32,21.21.21.1]:[201]
          4.4.4.4          0          100          0 i 4.4.4.4          VXLAN
* i [2]:[0]:[201]:[48,3c2c:99c7:077a]:[128,21:21::21:1]:[201]
          4.4.4.4          0          100          0 i 4.4.4.4          VXLAN
* i [3]:[201]:[32,1.1.1.1]
          1.1.1.1          0          100          0 i 1.1.1.1          VXLAN
* i [3]:[201]:[32,2.2.2.2]
          2.2.2.2          0          100          0 i 2.2.2.2          VXLAN
* i [3]:[201]:[32,4.4.4.4]
          4.4.4.4          0          100          0 i 4.4.4.4          VXLAN

```

Total number of prefixes 39
TB2-VTEP5#

VXLAN IRB ECMP

In multihoming, anycast-IP and the same subnet is configured on the multihomed devices within the same VPN on IRB interfaces connected to the multihomed CE. Both VTEP's will advertise same connected prefix route, remote VTEP need to understand this and treat the traffic destined to multihomed CE as ECMP traffic i.e Routed traffic should loadshare to both the VTEP's.

IRB ECMP Configuration

Configure from Base Configuration-L2 VXLAN section and perform commit after configuration, then configure below commands for ECMP approach.

VTEP1

Configure `max-path ibgp 2` on VTEP1 under BGP IPv4 VRF address family.

<code>#configure terminal</code>	Enter Configure mode.
<code>(config)#router bgp 5000</code>	Enter into BGP router mode
<code>(config-router)#address-family ipv4 vrf L3VRF1</code>	Enter into address-family mode for L3VRF1
<code>(config-router)#max-paths ibgp 2</code>	Configure BGP max-path
<code>(config-router-af)#redistribute connected</code>	Redistribute connected
<code>(config-router-af)#exit-address-family</code>	Exit from address-family
<code>(config-router-af)#commit</code>	Commit the transaction

VTEP1 IRB configuration

(config)#nvo vxlan irb	Enable VXLAN IRB
(config)#commit	Commit the transaction and save config and reload board
(config)#ip vrf L3VRF1	Create MAC routing/forwarding instance with L3VRF1 name and enter into VRF mode
(config-vrf)#rd 11000:11	Assign RD value
(config-vrf)# route-target both 100:100	Assign route-target value for same for import and export.
(config-vrf)# l3vni 1000	Configure L3VNI as 1000 for L3VRF1
(config-vrf)#exit	Exit from VRF mode
(config)# evpn irb-forwarding anycast-gateway-mac 0000.0000.1111	Configure anycast MAC address
(config)#commit	Commit the transaction
(config)# interface irb1001	Configure IRV interface 1001
(config-if)ip vrf forwarding L3VRF1	Configure L3VRF1
(config-if)ip address 11.11.11.1/24	Configure IP address
(config-if)ipv6 address 11:11::11:1/48	Configure IPv6 address
(config-if) evpn irb-if-forwarding anycast-gateway-mac	Configure anycast MAC address
(config-if)exit	Exit from interface config mode
(config)# interface irb 2001	Configure IRB interface 2001
(config-if)ip vrf forwarding L3VRF1	Configure L3VRF1
(config-if)ip address 21.21.21.1/24	Configure IP address
(config-if)ipv6 address 21:21::21:1/48	Configure IPv6 address
(config-if) evpn irb-if-forwarding anycast-gateway-mac	Configure anycast MAC address
(config-if)exit	Exit from interface config mode
(config)#commit	Commit the transaction
(config)router bgp 5000	Enter into BGP router mode
(config-router)#address-family ipv4 vrf L3VRF1	Enter into address-family mode for L3VRF1
(config-router-af)#redistribute connected	Redistribute connected
(config-router-af)#exit-address-family	Exit form address-family
(config)# nvo vxlan id 101 ingress-replication inner-vid-disabled	Configure VXLAN Network identifier with/without inner-vid-disabled configure and enter into VXLAN tenant mode
(config-nvo)#vxlan host-reachability-protocol evpn-bgp L2VRF1	Assign VRF for evpn-bgp to carry EVPN route
(config-nvo)# evpn irb1001	Configure IRB1001 under VXLAN ID 101
(config-nvo)#exit	Exit from VXLAN tenant mode and enter into configuration mode.
(config)#nvo vxlan id 201 ingress-replication inner-vid-disabled	Configure VXLAN Network identifier with/without inner-vid-disabled configure and enter into VXLAN tenant mode
(config-nvo)#vxlan host-reachability-protocol evpn-bgp L2VRF2	Assign VRF for evpn-bgp to carry EVPN route
(config-nvo)# evpn irb2001	Configure irb2001 under VXLAN ID 201

(config-nvo)#exit	Exit from VXLAN tenant mode and enter into configuration mode.
(config)#commit	Commit the transaction

VTEP2

Configure `max-path ibgp 2` on VTEP1 under BGP IPv4 VRF address family.

#configure terminal	Enter Configure mode.
(config)#router bgp 5000	Enter into BGP router mode
(config-router)#address-family ipv4 vrf L3VRF1	Enter into address-family mode for L3VRF1
(config-router-af)#max-paths ibgp 2	Configure BGP max-path
(config-router-af)#redistribute connected	Redistribute connected
(config-router-af)#exit-address-family	Exit from address-family
(config-router-af)#commit	Commit the transaction

VTEP2 IRB configuration

(config)#nvo vxlan irb	Enable VXLAN irb
(config)#commit	Commit the transaction and save config and reload board
(config)#ip vrf L3VRF1	Create MAC routing/forwarding instance with L3VRF1 name and enter into VRF mode
(config-vrf)#rd 21000:11	Assign RD value
(config-vrf)# route-target both 100:100	Assign route-target value for same for import and export.
(config-vrf)# l3vni 1000	Configure L3VNI as 1000 for L3VRF1
(config-vrf)#exit	Exit from VRF mode
(config)# evpn irb-forwarding anycast-gateway-mac 0000.0000.1111	Configure anycast MAC address
(config)#commit	Commit the transaction
(config)# interface irb 1001	Configure IRB interface 1001
(config-if)ip vrf forwarding L3VRF1	Configure L3VRF1
(config-if)ip address 11.11.11.1/24	Configure IP address
(config-if)ipv6 address 11:11::11:1/48	Configure IPv6 address
(config-if) evpn irb-if-forwarding anycast-gateway-mac	Configure anycast MAC address
(config-if)exit	Exit from interface config mode
(config)# interface irb 2001	Configure IRB interface 2001
(config-if)ip vrf forwarding L3VRF1	Configure L3VRF1
(config-if)ip address 21.21.21.1/24	Configure IP address
(config-if)ipv6 address 21:21::21:1/48	Configure IPv6 address
(config-if) evpn irb-if-forwarding anycast-gateway-mac	Configure anycast MAC address
(config-if)exit	Exit from interface config mode
(config)#commit	Commit the transaction
(config)router bgp 5000	Enter into BGP router mode
(config-router)#address-family ipv4 vrf L3VRF1	Enter into address-family mode for L3VRF1
(config-router-af)#redistribute connected	Redistribute connected
(config-router-af)#exit-address-family	Exit form address-family
(config)# nvo vxlan id 101 ingress-replication inner-vid-disabled	Configure VXLAN Network identifier with/without inner-vid-disabled configure and enter into VXLAN tenant mode
(config-nvo)#vxlan host-reachability-protocol evpn-bgp L2VRF1	Assign VRF for evpn-bgp to carry EVPN route
(config-nvo)# evpn irb1001	Configure irb1001 under VXLAN ID 101
(config-nvo)#exit	Exit from VXLAN tenant mode and enter into configuration mode.
(config)#nvo vxlan id 201 ingress-replication inner-vid-disabled	Configure VXLAN Network identifier with/without inner-vid-disabled configure and enter into VXLAN tenant mode
(config-nvo)#vxlan host-reachability-protocol evpn-bgp L2VRF2	Assign VRF for evpn-bgp to carry EVPN route
(config-nvo)# evpn irb2001	Configure irb2001 under VXLAN id 201

(config-nvo)#exit	Exit from VXLAN tenant mode and enter into configuration mode.
(config)#commit	Commit the transaction

VTEP5

Unconfigure - `evpn irb-forwarding anycast-gateway-mac` and assign different IP address and IPv6 address to IRB interfaces on VTEP1. Resolve the ARP on Traffic generator and verify the learnt MAC is same as IRB interface MAC not the anycast MAC (0000.0000.1111). Configure BGP max-path under BGP process.

Enable VXLAN Multihoming on VTEP5 and reboot the node to apply the Multihoming configuration to hardware.

#configure terminal	Enter Configure mode.
(config)#evpn vxlan multihoming enable	Enable Multihoming, save configs and reboot the board for multihoming to be effective
(config)#commit	Commit the transaction and save config and reload board
(config)#nvo vxlan irb	Enable VXLAN IRB
(config)#commit	Commit the transaction
(config)#ip vrf L3VRF1	Create MAC routing/forwarding instance with L3VRF1 name and enter into VRF mode
(config-vrf)#rd 51000:11	Assign RD value
(config-vrf)# route-target both 100:100	Assign route-target value for same for import and export.
(config-vrf)# l3vni 1000	Configure L3VNI as 1000 for L3VRF1
(config-vrf)#commit	Commit the transaction
(config)# no evpn irb-forwarding anycast-gateway-mac	Delete evpn irb-forwarding anycast-gateway-mac address
(config)#commit	Commit the transaction
(config)# interface irb1001	Configure IRB interface 1001
(config-irb-if)#ip vrf forwarding L3VRF1	Configure L3VRF1
(config-irb-if)#ip address 101.11.11.1/24	Configure IP address
(config-irb-if)#ipv6 address 101:11::11:1/48	Configure IPv6 address
(config-irb-if)#commit	Commit the transaction
(config)#router bgp 5000	Enter into BGP router mode
(config-router)#address-family ipv4 vrf L3VRF1	Enter into address-family mode for L3VRF1
(config-router-af)# max-paths ibgp 2	Configure BGP max-path .
(config-router-af)#redistribute connected	Redistribute connected
(config-router-af)#exit-address-family	Exit from address-family
(config-router-af)#commit	Commit the transaction
(config)# nvo vxlan id 101 ingress-replication inner-vid-disabled	Configure VXLAN Network identifier with/without inner-vid-disabled configure and enter into VXLAN tenant mode
(config-nvo)#vxlan host-reachability-protocol evpn-bgp L2VRF1	Assign VRF for EVPN-BGP to carry EVPN route
(config-nvo)# evpn irb1001	Configure IRB under VXLAN ID 101

(config-nvo)#exit	Exit from VXLAN tenant mode and enter into configuration mode.
(config-nvo)#commit	Commit the transaction

Validations

On VTEP5, verify that in the VRF routing table , ECMP path for the IRB address (11.11.11.1) is via VTEP1 - 1.1.1.1 and VTEP2 -2.2.2.2 . Send the Traffic from VTEP5 Single homed to Multihomed. Traffic should be forwarded via VTEP1 and VTEP2 and is loadshared between the Multihome VTEPs.

VTEP5

TB2-VTEP5#show nvo vxlan tunnel

VXLAN Network tunnel Entries

Source	Destination	Status	Up/Down	Update
5.5.5.5	2.2.2.2	Installed	00:34:13	00:34:13
5.5.5.5	4.4.4.4	Installed	00:01:26	00:01:26
5.5.5.5	1.1.1.1	Installed	00:34:13	00:34:13

Total number of entries are 3

TB2-VTEP5#show nvo vxlan

VXLAN Information

=====

Codes: NW - Network Port
AC - Access Port
(u) - Untagged

VNID	VNI-Name	VNI-Type	Type	Interface	ESI	VLAN	DF-Status	Src-Addr	Dst-Addr
101	VNI-101	L2	NW	----	----	----	----	5.5.5.5	2.2.2.2
101	VNI-101	L2	NW	----	----	----	----	5.5.5.5	1.1.1.1
101	VNI-101	--	AC	xe48	---	10	----	----	----
1000	----	L3	NW	----	----	----	----	5.5.5.5	4.4.4.4

Total number of entries are 4

TB2-VTEP5#show nvo vxlan arp-cache

VXLAN ARP-CACHE Information

=====

VNID	Ip-Addr	Mac-Addr	Type	Age-Out	Retries-Left
101	11.11.11.1	0000.0000.1111	Static	Remote	----
101	101.11.11.1	3c2c.99d6.168a	Static	Local	----
101	11.11.11.201	0000.5555.1010	Static	Local	----

Total number of entries are 3

Total number of entries are 1

TB2-VTEP5#show nvo vxlan l3vni-map

L3VNI L2VNI IRB-interface

=====

1000	101	irb1001
------	-----	---------

TB2-VTEP5#show ip route vrf L3VRF1

Codes: K - kernel, C - connected, S - static, R - RIP, B - BGP
 O - OSPF, IA - OSPF inter area
 N1 - OSPF NSSA external type 1, N2 - OSPF NSSA external type 2
 E1 - OSPF external type 1, E2 - OSPF external type 2
 i - IS-IS, L1 - IS-IS level-1, L2 - IS-IS level-2,
 ia - IS-IS inter area, E - EVPN,
 v - vrf leaked
 * - candidate default

IP Route Table for VRF "L3VRF1"

```
C      101.11.11.0/24 is directly connected, irb1001, 00:34:43
B      11.11.11.0/24 [200/0] via 1.1.1.1 (recursive is directly connected, tunvxlan2), 00:01:26
      [200/0] via 2.2.2.2 (recursive is directly connected, tunvxlan2), 00:01:26
C      127.0.0.0/8 is directly connected, lo.L3VRF1, 00:40:36
```

Gateway of last resort is not set

Send 10000 pps from VTEP5 (Traffic generator- SH5) and verify the counters on VTEP5, VTEP1, VTEP2 and Switch

TB2-VTEP5#show interface counter rate mbps

Interface	Rx mbps	Rx pps	Tx mbps	Tx pps
xe48	100	10000	0.01	8
xe40	0.00	0	106.76	10000

On VTEP1 and VTEP2, verify that traffic is load-balanced on ECMP path from VTEP5.

VTEP1

TB2-VTEP1#show interface counter rate mbps

Interface	Rx mbps	Rx pps	Tx mbps	Tx pps
po2	62.75	5000	0.01	8
po1	0.00	0	62.98	5000
xe25	31.98	2500	0	0
xe26	30.95	2501	0	0
xe2	0.00	0	31.53	2500
xe3	0.00	0	30.53	2500

VTEP2

TB2-VTEP2#show interface counter rate mbps

Interface	Rx mbps	Rx pps	Tx mbps	Tx pps
po3	62.75	5000	0.01	8
po1	0.00	0	62.98	5000
xe27	31.98	2500	0	0
xe28	30.95	2501	0	0
xe8	0.00	0	31.53	2500
xe9	0.00	0	30.53	2500

Verify the Traffic on Multihomed Switch:

SW1 (Multihomed)

TB2-SW1#show interface counter rate mbps

Interface	Rx mbps	Rx pps	Tx mbps	Tx pps
-----------	---------	--------	---------	--------

VXLAN-EVPN with IRB

Interface	Rx mbps	Rx pps	Tx mbps	Tx pps
po1	100	10000	0.01	8
xe7	0.00	0	100	10000
xe8	25.01	2501	0	0
xe9	24.99	2499	0	0
xe2	24.98	2499	0	0
xe3	25.02	2501	0	0

CHAPTER 12 VXLAN-IRB-Inter-VRF Route Leaking

A VRF is a mechanism used to provide logical separation between routing tables on the same router. It is locally significant to the router. Each interface on a router can only be assigned to one VRF, but a VRF can have multiple interfaces. VRF route leaking can be done using route-target import/export.

The routes of VRF catering shared services shall be leaked to tenant VRFs. The leaking of routes shall be possible over one overlay VRF to another overlay VRF. By doing so shared services like Internet access through gateway routes can be made possible. Introduction of this feature shall cater various use cases of shared services like storage / Internet access etc.

Topology

The procedures in this section use the topology in [Figure 12-13](#).

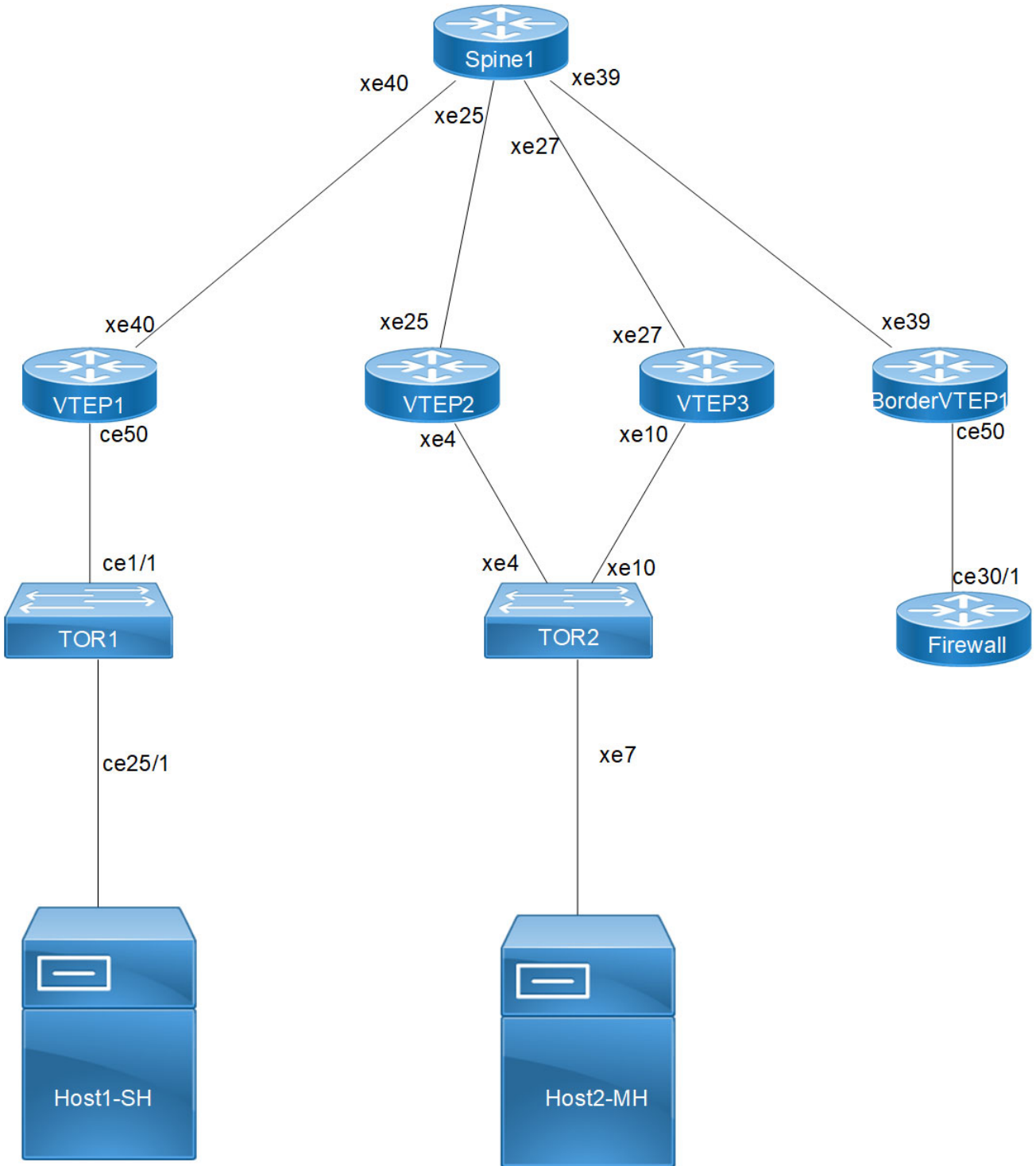


Figure 12-13: VxLAN_EVPN_IVRF

Note: SH means Single homing host and MH means Multihoming host.

VTEP1

Single Home -SH

Hardware profile and generic configuration:

#configure terminal	Enter Configure mode.
(config)#nvo vxlan enable	Enable VXLAN
(config)#nvo vxlan irb	Enable VXLAN irb
(Config)#qos enable	Enabling qos
(Config)# bfd interval 3 minrx 3 multiplier 3	Configure bfd
(config)#commit	Commit the candidate configuration to running configuration and save config and reload board

Interface and loopback configuration:

(config)#interface ce50	Enter Interface mode for ce50 (SH1)
(config-if)# description ***Connected to TOR1***	Interface description
(config-if)#switchport	Make it L2 interface
(config-if)#exit	Exit Interface mode and return to Configure mode.
(config)#interface lo	Enter Interface mode for lo
(config-if)#ip address 51.51.51.51/32 secondary	Configure loopback ip address
(config-if)#exit	Exit Interface mode and return to Configure mode.
(config) interface xe40	Enter interface mode
(config-if)# description ***Connected to Spine2***	Interface description
(config-if)# ip address 10.10.10.1/31	Configure ip address on network side of Spine1
(config)#commit	Commit the candidate configuration to running configuration and save config and reload board
(config-if)#exit	Exit Interface mode and return to Configure mode.

OSPF configuration:

(config)#router ospf 100	Enter into router OSPF mode
(config-router)#ospf router-id 51.51.51.51	Configure router-id as lo ip address
(config-router)#network 51.51.51.51/32 area 0.0.0.0	Add lo ip address network into area 0
(config-router)#network 10.10.10.0/24 area 0.0.0.0	Add Spine-connected network into area 0
(config-router)#bfd all-interfaces	Enabling bfd on all ospf interface for fast convergence
(config-if)#exit	Exit Interface mode and return to Configure mode.
(config)#commit	Commit the candidate configuration to running configuration and save config and reload board

BGP configuration:

(config)#router bgp 500	Enter into Router BGP mode
(config-router)#bgp router-id 51.51.51.51	Configure router-id as lo ip address
(config-router)#neighbor 66.66.66.66 remote-as 500	Specify a BorderVTEP1 loopback ip address and remote-as defined
(config-router)#neighbor 66.66.66.66 update-source lo	Configure update as loopback for BorderVTEP1
(config-router)#neighbor 66.66.66.66 advertisement-interval 0	Configure advertisement-interval as 0 for fast convergence for BorderVTEP1
(config-router)# address-family ipv4 unicast	Enter into IPV4 unicast address family mode
(config-router-af)# neighbor 66.66.66.66 activate	Activate BorderVTEP1 into ipv4 unicast family
(config-router-af)# exit-address-family	Exit from IPV4 unicast address family
(config-router)#address-family l2vpn evpn	Enter into l2vpn EVPN address family mode
(config-router-af)#neighbor 66.66.66.66 activate	Activate BorderVTEP1 into l2vpn evpn address family mode
(config-router-af)#exit-address-family	Exit from l2vpn address family mode
(config-router)#exit	Exit from Router BGP mode and enter into config mode
(config)#commit	Commit the candidate configuration to running configuration and save config and reload board

L2 VRF Configuration:

(config)# mac vrf RED	Create mac routing/forwarding instance with RED name and enter into vrf mode
(config-vrf)# rd 2.3.4.5:1	Assign RD value
(config-vrf)# route-target both 6000:6000	Assign route-target value for same for import and export. Should be same on all node for RED
(config-vrf)#exit	Exit from vrf mode
(config)#commit	Commit the candidate configuration to running configuration and save config and reload board

L3 VRF and BGP Configuration:

(config)# ip vrf FAX	Create mac routing/forwarding instance with FAX name and enter into vrf mode
(config-vrf)# rd 51.51.51.51:1050	Assign RD value
(config-vrf)# route-target both 1050:1050	Assign route-target value for same for import and export.
(config-vrf)# l3vni 10502	Configure L3VNI as 10502 for FAX vrf
(config-vrf)#exit	Exit from vrf mode
(config)# interface irb 1050	Configure irb interface 1050
(config-if)ip vrf forwarding FAX	Configure FAX
(config-if) ip address 10.12.32.1/24	Configure ip address
(config-if)exit	Exit from interface config mode

(config)#commit	Commit the candidate configuration to running configuration and save config and reload board
(config)router bgp 500	Enter into bgp router mode
(config-router)#address-family ipv4 vrf FAX	Enter into address-family mode for FAX
(config-router-af)#redistribute connected	Redistribute connected
(config-router-af)#exit-address-family	Exit form address-family
(config)#commit	Commit the candidate configuration to running configuration and save config and reload board

VXLAN configuration:

(config)#nvo vxlan enable	Enable VXLAN
(config)#nvo vxlan vtep-ip-global 51.51.51.51	Configure Source vtep-ip-global configuration. Use loopback ip address
(config)#nvo vxlan id 1050 ingress-replication inner-vid-disabled	Configure VXLAN Network identifier with/without inner-vid-disabled configure and enter into VXLAN tenant mode
(config-nvo)#vxlan host-reachability-protocol evpn-bgp RED	Assign vrf for evpn-bgp to carry EVPN route
(config-nvo)# evpn irb1050	Configure irb1050 under vxlan id 1050
(config)# nvo vxlan access-if port-vlan ce50 1050	Enable port-vlan mapping i.e. access port to outer-vlan (SVLAN)
(config-nvo-acc-if)# map vnid 1050	Map VXLAN Identified to access-port for VXLAN
(config-nvo-acc-if)# mac 0000.3333.1050 ip 10.12.32.10	Configure static mac-ip
(config-nvo-acc-if)#exit	Exit from VXLAN access-interface mode and enter into configuration mode
(config)#commit	Commit the candidate configuration to running configuration and save config and reload board

VTEP2

(Multi-homed group) - Part of both Multi-homed with po1000(MH).

Hardware profile and generic configuration:

#configure terminal	Enter Configure mode.
(config)#nvo vxlan enable	Enable VXLAN
(config)#nvo vxlan irb	Enable VXLAN irb
(config)# evpn irb-forwarding anycast-gateway-mac 0000.2222.3333	Configure Anycast gateway mac
(Config)#qos enable	Enabling qos
(Config)# bfd interval 3 minrx 3 multiplier 3	Configure bfd
(config)#commit	Commit the candidate configuration to running configuration and save config and reload board

Interface and loopback configuration:

(config)#interface xe4	Enter Interface mode for xe4(MH)
(config-if)# description ***Connected to TOR2***	Interface description
(config-if)# channel-group 1000 mode active	Make it member of po1000
(config-if)#exit	Exit Interface mode and return to Configure mode.
(config)# interface po1000	Enter into po1000 mode
(config-if)# switchport	Configure L2 mode
(config-if)# evpn multi-homed system-mac 0000.4444.5555	Configure System mac
(config)#interface lo	Enter Interface mode for lo
(config-if)#ip address 60.60.60.60/32	Configure loopback ip address
(config-if)#exit	Exit Interface mode and return to Configure mode.
(config) interface xe25	Enter interface mode
(config-if)# description ***Connected to Spine1***	Interface description
(config-if)# ip address ip address 10.10.12.1/31	Configure ip address on network side of Spine1
(config-if)#exit	Exit Interface mode and return to Configure mode.
(config)#commit	Commit the candidate configuration to running configuration and save config and reload board

OSPF configuration:

(config)#router ospf 100	Enter into router OSPF mode
(config-router)#ospf router-id 60.60.60.60	Configure router-id as lo ip address
(config-router)#network 60.60.60.60/32 area 0.0.0.0	Add lo ip address network into area 0
(config-router)#network 10.10.12.0/24 area 0.0.0.0	Add Spine-connected network into area 0
(config-router)#bfd all-interfaces	Enabling bfd on all ospf interface for fast convergence
(config-if)#exit	Exit Interface mode and return to Configure mode.
(config)#commit	Commit the candidate configuration to running configuration and save config and reload board

BGP configuration:

(config)#router bgp 500	Enter into Router BGP mode
(config-router)#bgp router-id 60.60.60.60	Configure router-id as lo ip address
(config-router)#neighbor 66.66.66.66 remote-as 500	Specify a BorderVTEP1 loopback ip address and remote-as defined
(config-router)#neighbor 66.66.66.66 update-source lo	Configure update as loopback for BorderVTEP1
(config-router)#neighbor 66.66.66.66 advertisement-interval 0	Configure advertisement-interval as 0 for fast convergence for BorderVTEP1

(config-router)#neighbor 76.76.76.76 remote-as 500	Specify a VTEP3 loopback ip address and remote-as defined
(config-router)#neighbor 76.76.76.76 update-source lo	Configure update as loopback for VTEP3
(config-router)#neighbor 76.76.76.76 advertisement-interval 0	Configure advertisement-interval as 0 for fast convergence for VTEP3
(config-router)# address-family ipv4 unicast	Enter into IPV4 unicast address family mode
(config-router-af)# neighbor 66.66.66.66 activate	Activate BorderVTEP1 into ipv4 unicast family
(config-router-af)# neighbor 76.76.76.76 activate	Activate VTEP3 into ipv4 unicast family
(config-router-af)# exit-address-family	Exit from IPV4 unicast address family
(config-router)#address-family l2vpn evpn	Enter into l2vpn EVPN address family mode
(config-router-af)#neighbor 66.66.66.66 activate	Activate BorderVTEP1 into l2vpn evpn address family mode
(config-router-af)#neighbor 76.76.76.76 activate	Activate VTEP3 into l2vpn evpn address family mode
(config-router-af)#exit-address-family	Exit from l2vpn address family mode
(config-router)#exit	Exit from Router BGP mode and enter into config mode
(config)#commit	Commit the candidate configuration to running configuration and save config and reload board

L2 VRF Configuration:

(config)# mac vrf RED	Create mac routing/forwarding instance with RED name and enter into vrf mode
(config-vrf)# rd 2.3.4.5:2	Assign RD value
(config-vrf)# route-target both 6000:6000	Assign route-target value for same for import and export. Should be same on all node for RED
(config-vrf)#exit	Exit from vrf mode
(config)#commit	Commit the candidate configuration to running configuration and save config and reload board

L3 VRF and BGP Configuration:

(config)# ip vrf SMS	Create mac routing/forwarding instance with SMS name and enter into vrf mode
(config-vrf)# rd 60.60.60.60:1040	Assign RD value
(config-vrf)# route-target both 1040:1040	Assign route-target value for same for import and export.
(config-vrf)# l3vni 10402	Configure L3VNI as 10402 for SMS vrf
(config-vrf)#exit	Exit from vrf mode
(config)# interface irb 1060	Configure irb interface 1060
(config-if)ip vrf forwarding SMS	Configure ip vrf forwarding
(config-if) ip address 10.240.38.1/24	Configure ip address
(config-if) evpn irb-if-forwarding anycast-gateway-mac	Anycast mac configured
(config-if)exit	Exit from interface config mode

VXLAN-IRB-Inter-VRF Route Leaking

(config)#commit	Commit the candidate configuration to running configuration and save config and reload board
(config)router bgp 500	Enter into bgp router mode
(config-router)#address-family ipv4 vrf SMS	Enter into address-family mode for SMS
(config-router-af)#redistribute connected	Redistribute connected
(config-router-af)#exit-address-family	Exit form address-family
(config)#commit	Commit the candidate configuration to running configuration and save config and reload board

VXLAN configuration:

(config)#nvo vxlan enable	Enable VXLAN
(config)#nvo vxlan vtep-ip-global 60.60.60.60	Configure Source vtep-ip-global configuration. Use loopback ip address
(config)#nvo vxlan id 1060 ingress-replication inner-vid-disabled	Configure VXLAN Network identifier with/without inner-vid-disabled configure and enter into VXLAN tenant mode
(config-nvo)#vxlan host-reachability-protocol evpn-bgp RED	Assign vrf for evpn-bgp to carry EVPN route
(config-nvo)# evpn irb1060	Configure irb1060 under vxlan id 1060
(config)# nvo vxlan access-if port-vlan po1000 1060	Enable port-vlan mapping i.e. access port to outer-vlan (SVLAN) - Multihomed access port
(config-nvo-acc-if)# map vnid 1060	Map VXLAN Identified to access-port for VXLAN
(config-nvo-acc-if)# mac 0000.2222.1060 ip 10.240.38.10	Configure static mac-ip
(config-nvo-acc-if)#exit	Exit from VXLAN access-interface mode and enter into configuration mode
(config)#commit	Commit the candidate configuration to running configuration and save config and reload board

VTEP3

(Multi-homed group) - Part of both Multi-homed with po1000(MH).

Hardware profile and generic configuration:

#configure terminal	Enter Configure mode.
(config)#nvo vxlan enable	Enable VXLAN
(config)#nvo vxlan irb	Enable VXLAN irb
(config)# evpn irb-forwarding anycast-gateway-mac 0000.2222.3333	Configure Anycast gateway mac
(Config)#qos enable	Enabling qos
(Config)# bfd interval 3 minrx 3 multiplier 3	Configure bfd
(config)#commit	Commit the candidate configuration to running configuration and save config and reload board

Interface and loopback configuration:

(config)#interface xe10	Enter Interface mode for xe10(MH)
(config-if)# description ***Connected to TOR2***	Interface description
(config-if)# channel-group 1000 mode active	Make it member of po1000
(config-if)#exit	Exit Interface mode and return to Configure mode.
(config)# interface po1000	Enter into po1000 mode
(config-if)# switchport	Configure L2 mode
(config-if)# evpn multi-homed system-mac 0000.4444.5555	Configure System mac
(config)#interface lo	Enter Interface mode for lo
(config-if)#ip address 76.76.76.76/32 secondary	Configure loopback ip address
(config-if)#exit	Exit Interface mode and return to Configure mode.
(config) interface xe27	Enter interface mode
(config-if)# description ***Connected to Spine1***	Interface description
(config-if)# ip address ip address 10.10.24.1/31	Configure ip address on network side of Spine1
(config-if)#exit	Exit Interface mode and return to Configure mode.
(config)#commit	Commit the candidate configuration to running configuration and save config and reload board

OSPF configuration:

(config)#router ospf 100	Enter into router OSPF mode
(config-router)#ospf router-id 76.76.76.76	Configure router-id as lo ip address
(config-router)#network 76.76.76.76/32 area 0.0.0.0	Add lo ip address network into area 0
(config-router)#network 10.10.24.0/24 area 0.0.0.0	Add Spine-connected network into area 0
(config-router)#bfd all-interfaces	Enabling bfd on all ospf interface for fast convergence
(config-if)#exit	Exit Interface mode and return to Configure mode.
(config)#commit	Commit the candidate configuration to running configuration and save config and reload board

BGP configuration:

(config)#router bgp 500	Enter into Router BGP mode
(config-router)#bgp router-id 76.76.76.76	Configure router-id as lo ip address
(config-router)#neighbor 66.66.66.66 remote-as 500	Specify a BorderVTEP1 loopback ip address and remote-as defined
(config-router)#neighbor 66.66.66.66 update-source lo	Configure update as loopback for BorderVTEP1

VXLAN-IRB-Inter-VRF Route Leaking

(config-router)#neighbor 66.66.66.66 advertisement-interval 0	Configure advertisement-interval as 0 for fast convergence for BorderVTEP1
(config-router)#neighbor 60.60.60.60 remote-as 500	Specify a VTEP2 loopback ip address and remote-as defined as 500
(config-router)#neighbor 60.60.60.60 update-source lo	Configure update as loopback for VTEP2
(config-router)#neighbor 60.60.60.60 advertisement-interval 0	Configure advertisement-interval as 0 for fast convergence for VTEP2
(config-router)# address-family ipv4 unicast	Enter into IPV4 unicast address family mode
(config-router-af)# neighbor 66.66.66.66 activate	Activate BorderVTEP1 into ipv4 unicast family
(config-router-af)# neighbor 60.60.60.60 activate	Activate VTEP2 into ipv4 unicast family
(config-router-af)# exit-address-family	Exit from IPV4 unicast address family
(config-router)#address-family l2vpn evpn	Enter into l2vpn EVPN address family mode
(config-router-af)#neighbor 66.66.66.66 activate	Activate BorderVTEP1 into l2vpn evpn address family mode
(config-router-af)#neighbor 60.60.60.60 activate	Activate VTEP2 into l2vpn evpn address family mode
(config-router-af)#exit-address-family	Exit from l2vpn address family mode
(config-router)#exit	Exit from Router BGP mode and enter into config mode
(config)#commit	Commit the candidate configuration to running configuration and save config and reload board

L2 VRF Configuration:

(config)# mac vrf RED	Create mac routing/forwarding instance with RED name and enter into vrf mode
(config-vrf)# rd 2.3.4.6:2	Assign RD value
(config-vrf)# route-target both 6000:6000	Assign route-target value for same for import and export. Should be same on all node for RED
(config-vrf)#exit	Exit from vrf mode
(config)#commit	Commit the candidate configuration to running configuration and save config and reload board

L3 VRF and BGP Configuration:

(config)# ip vrf SMS	Create mac routing/forwarding instance with SMS name and enter into vrf mode
(config-vrf)# rd 76.76.76.76:1040	Assign RD value
(config-vrf)# route-target both 1040:1040	Assign route-target value for same for import and export.
(config-vrf)# l3vni 10402	Configure L3VNI as 10402 for SMS vrf
(config-vrf)#exit	Exit from vrf mode
(config)# interface irb 1060	Configure irb interface 1060
(config-if)ip vrf forwarding SMS	Configure ip vrf forwarding
(config-if) ip address 10.240.38.1/24	Configure ip address

(config-if) evpn irb-if-forwarding anycast-gateway-mac	Anycast mac configured
(config-if)exit	Exit from interface config mode
(config)#commit	Commit the candidate configuration to running configuration and save config and reload board
(config)router bgp 500	Enter into bgp router mode
(config-router)#address-family ipv4 vrf SMS	Enter into address-family mode for SMS
(config-router-af)#redistribute connected	Redistribute connected
(config-router-af)#exit-address-family	Exit form address-family
(config)#commit	Commit the candidate configuration to running configuration and save config and reload board

VXLAN configuration:

(config)#nvo vxlan vtep-ip-global 76.76.76.76	Configure Source vtep-ip-global configuration. Use loopback ip address
(config)#nvo vxlan id 1060 ingress-replication inner-vid-disabled	Configure VXLAN Network identifier with/without inner-vid-disabled configure and enter into VXLAN tenant mode
(config-nvo)#vxlan host-reachability-protocol evpn-bgp RED	Assign vrf for evpn-bgp to carry EVPN route
(config-nvo)# evpn irb1060	Configure irb1060 under vxlan id 1060
(config)# nvo vxlan access-if port-vlan po1000 1060	Enable port-vlan mapping i.e. access port to outer-vlan (SVLAN) - Multihomed access port
(config-nvo-acc-if)# map vnid 1060	Map VXLAN Identified to access-port for VXLAN
(config-nvo-acc-if)# mac 0000.2222.1060 ip 10.240.38.10	Configure static mac-ip
(config-nvo-acc-if)#exit	Exit from VXLAN access-interface mode and enter into configuration mode
(config)#commit	Commit the candidate configuration to running configuration and save config and reload board

BorderVTEP1

Hardware profile and generic configuration:

#configure terminal	Enter Configure mode.
(config)#nvo vxlan enable	Enable VXLAN
(config)#nvo vxlan irb	Enable VXLAN irb
(Config)#qos enable	Enabling qos
(Config)# bfd interval 3 minrx 3 multiplier 3	Configure bfd
(config)#commit	Commit the candidate configuration to running configuration and save config and reload board

Interface and loopback configuration:

(config)#interface ce50	Enter Interface mode
(config-if)# description ***Connected to FW***	Interface description
(config-if)# switchport	Configure L2 mode
(config)#interface lo	Enter Interface mode for lo
(config-if)#ip address 66.66.66.66/32	Configure loopback ip address
(config-if)#exit	Exit Interface mode and return to Configure mode.
(config) interface xe39	Enter interface mode
(config-if)# description ***Connected to Spine1***	Interface description
(config-if)# ip address ip address 10.10.14.1/31	Configure ip address on network side of Spine1
(config-if)#exit	Exit Interface mode and return to Configure mode.
(config)#commit	Commit the candidate configuration to running configuration and save config and reload board

OSPF configuration:

(config)#router ospf 100	Enter into router OSPF mode
(config-router)#ospf router-id 66.66.66.66	Configure router-id as lo ip address
(config-router)#network 66.66.66.66/32 area 0.0.0.0	Add lo ip address network into area 0
(config-router)#network 10.10.14.0/24 area 0.0.0.0	Add Spine-connected network into area 0
(config-router)#bfd all-interfaces	Enabling bfd on all ospf interface for fast convergence
(config-if)#exit	Exit Interface mode and return to Configure mode.
(config)#commit	Commit the candidate configuration to running configuration and save config and reload board

BGP configuration:

(config)#router bgp 500	Enter into Router BGP mode
(config-router)#bgp router-id 66.66.66.66	Configure router-id as lo ip address
(config-router)#neighbor 51.51.51.51 remote-as 500	Specify a VTEP1 loopback ip address and remote-as defined
(config-router)#neighbor 51.51.51.51 update-source lo	Configure update as loopback for VTEP1
(config-router)#neighbor 51.51.51.51 advertisement-interval 0	Configure advertisement-interval as 0 for fast convergence for VTEP1
(config-router)#neighbor 60.60.60.60 remote-as 500	Specify a VTEP2 loopback ip address and remote-as defined
(config-router)#neighbor 60.60.60.60 update-source lo	Configure update as loopback for VTEP2
(config-router)#neighbor 60.60.60.60 advertisement-interval 0	Configure advertisement-interval as 0 for fast convergence for VTEP2

(config-router)#neighbor 76.76.76.76 remote-as 500	Specify a VTEP3 loopback ip address and remote-as defined
(config-router)#neighbor 76.76.76.76 update-source lo	Configure update as loopback for VTEP3
(config-router)#neighbor 76.76.76.76 advertisement-interval 0	Configure advertisement-interval as 0 for fast convergence for VTEP3
(config-router)# no bgp default ipv4-unicast	It will avoid default ipv4 unicast routing
(config-router)# address-family ipv4 unicast	Enter into IPV4 unicast address family mode
(config-router-af)# neighbor 51.51.51.51 activate	Activate VTEP1 into ipv4 unicast family
(config-router-af)# neighbor 60.60.60.60 activate	Activate VTEP2 into ipv4 unicast family
(config-router-af)# neighbor 76.76.76.76 activate	Activate VTEP3 into ipv4 unicast family
(config-router-af)# exit-address-family	Exit from IPV4 unicast address family
(config-router)#address-family l2vpn evpn	Enter into l2vpn EVPN address family mode
(config-router-af)#neighbor 51.51.51.51 activate	Activate VTEP1 into l2vpn evpn address family mode
(config-router-af)#neighbor 60.60.60.60 activate	Activate VTEP2 into l2vpn evpn address family mode
(config-router-af)#neighbor 76.76.76.76 activate	Activate VTEP3 into l2vpn evpn address family mode
(config-router-af)#exit-address-family	Exit from l2vpn address family mode
(config-router)#exit	Exit from Router BGP mode and enter into config mode
(config)#commit	Commit the candidate configuration to running configuration and save config and reload board

L2 VRF Configuration:

(config)# mac vrf RED	Create mac routing/forwarding instance with RED name and enter into vrf mode
(config-vrf)# rd 2.2.4.4:4	Assign RD value
(config-vrf)# route-target both 6000:6000	Assign route-target value for same for import and export. Should be same on all node for RED
(config-vrf)#exit	Exit from vrf mode
(config)#commit	Commit the candidate configuration to running configuration and save config and reload board

L3 VRF and BGP Configuration:

(config)# ip vrf gvrif	Create mac routing/forwarding instance with gvrif name and enter into vrf mode
(config-vrf)# rd 4.5.6.8:6	Assign RD value
(config-vrf)# route-target import 100:100	Assign route-target value for import from FAX vrf
(config-vrf)# route-target import 300:300	Assign route-target value for import from SMS vrf
(config-vrf)# route-target export 1000:1000	Assign route-target value for export from gvrif
(config-vrf)# l3vni 500	Configure L3VNI as 500 for gvrif vrf

VXLAN-IRB-Inter-VRF Route Leaking

(config-vrf)#exit	Exit from vrf mode
(config)# interface irb 1067	Configure irb interface 1060
(config-if) ip vrf forwarding gvrf	Configure ip vrf forwarding
(config-if) ip address 10.10.18.1/24	
	Configure ip address
(config-if)#exit	Exit from interface config mode
(config)# ip vrf FAX	Create mac routing/forwarding instance with FAX name and enter into vrf mode
(config-vrf)# rd 66.66.66.66:1050	Assign RD value
(config-vrf)# route-target both 1050:1050	Assign route-target value for same for import and export.
(config-vrf)# route-target export 100:100	Assign route-target value export from FAX
(config-vrf)# route-target import 1000:1000	Assign route-target value for import from gvrf
(config-vrf)# l3vni 10502	Configure L3VNI as 10502 for FAX vrf
(config-vrf)#exit	Exit from vrf mode
(config)# ip vrf SMS	Create mac routing/forwarding instance with SMS name and enter into vrf mode
(config-vrf)# rd 66.66.66.66:1060	Assign RD value
(config-vrf)# route-target both 1040:1040	Assign route-target value for same for import and export.
(config-vrf)# route-target export 300:300	Assign route-target value export from SMS
(config-vrf)# route-target import 1000:1000	Assign route-target value for import from gvrf
(config-vrf)# l3vni 10402	Configure L3VNI as 10402 for SMS vrf
(config-vrf)#exit	Exit from vrf mode
(config)#commit	Commit the candidate configuration to running configuration and save config and reload board
(config)router bgp 500	Enter into bgp router mode
(config-router)#address-family ipv4 vrf gvrf	Enter into address-family mode for gvrf
(config-router-af)#redistribute connected	Redistribute connected
(config-router-af)# neighbor 10.10.18.2 remote-as 64603	Add Firewall as neighbor
(config-router-af)# neighbor 10.10.18.2 fall-over bfd	Configure bfd for better convergence
(config-router-af)# neighbor 10.10.18.2 activate	Activate the neighbor
(config-router-af)# neighbor 10.10.18.2 advertisement-interval 0	Configure interval 0 for better convergence
(config-router-af)#exit-address-family	Exit form address-family
(config)#commit	Commit the candidate configuration to running configuration and save config and reload board

VXLAN configuration:

(config)#nvo vxlan vtep-ip-global 66.66.66.66	Configure Source vtep-ip-global configuration. Use loopback ip address
(config)# nvo vxlan id 1067 ingress-replication inner-vid-disabled	Configure VXLAN Network identifier with/without inner-vid-disabled configure and enter into VXLAN tenant mode

(config-nvo)#vxlan host-reachability-protocol evpn-bgp RED	Assign vrf for evpn-bgp to carry EVPN route
(config-nvo)# evpn irb1067	Configure irb1067 under vxlan id 1067
(config)# nvo vxlan access-if port-vlan ce50 1067	Enable port-vlan mapping i.e. access port to outer-vlan (SVLAN) - Multihomed access port
(config-nvo-acc-if)# map vnid 1067	Map VXLAN Identified to access-port for VXLAN
(config-nvo-acc-if)#exit	Exit from VXLAN access-interface mode and enter into configuration mode
(config)#commit	Commit the candidate configuration to running configuration and save config and reload board

Firewall

Hardware profile and generic configuration:

#configure terminal	Enter Configure mode.
(Config)#qos enable	Enabling qos
(Config)#bfd interval 3 minrx 3 multiplier 3	Configure bfd
(config)#commit	Commit the candidate configuration to running configuration and save config and reload board

Interface and loopback configuration:

#configure terminal	Enter Configure mode.
(config)# bridge 1 protocol rstp vlan-bridge	Configure rstp vlan bridge
(config)# vlan database	
(config)#vlan 1067 bridge 1 state enable	Configure vlans from 1067 and associate with bridge 1
(config)#interface ce30/1	Enter Interface mode for ce30/1
(config-if)# description ***Connected to BorderVTEP1***	Interface description
(config-if)#bridge-group 1	Associate to bridge 1
(config-if)# bridge-group 1 spanning-tree disable	Configure stp disable
(config-if)# switchport mode trunk	Mode as trunk
(config-if)# switchport trunk allowed vlan add 1067	Trunk allowed vlan as 1067
(config-if)#exit	Exit Interface mode and return to Configure mode.
(config)#interface vlan1.1067	Enter Interface mode
(config-if)# ip address 10.10.18.2/24	Configure ip address
(config-if)#exit	Exit Interface mode and return to Configure mode.
(config)#interface ce1/1	Enter Interface mode
(config-if)#ip address 10.10.20.1/24	Configure ip address to advertise
(config-if)#exit	Exit Interface mode and return to Configure mode.
(config)#commit	Commit the candidate configuration to running configuration and save config and reload board

BGP configuration:

(Config)#router bgp 64603	Enter into Router BGP mode
(config-router)# neighbor 10.10.18.1 remote-as 500	Specify a BorderVTEP1 gvrp ip address and remote-as defined
(config-router)# neighbor 10.10.18.1 fall-over bfd	Configure fall-over bfd for fast convergence
(config-router)#neighbor 10.10.18.1 advertisement-interval 0	Configure advertisement-interval as 0 for fast convergence
(config-router)# address-family ipv4 unicast	Enter into IPv4 unicast address family mode
(config-router-af)# network 10.10.20.0/24	Add lo adders as network for advertise
(config-router-af)# max-paths ebgp 8	Add max path
(config-router-af)# neighbor 10.10.18.1 activate	Activate the neighbor
(config-router-af)# neighbor 10.10.18.1 default-originate	Do default originate
(config-router-af)# exit-address-family	Exit from IPv4 unicast address family
(config)#commit	Commit the candidate configuration to running configuration and save config and reload board

TOR1 (SH)

#configure terminal	Enter Configure mode.
(config)# bridge 1 protocol rstp vlan-bridge	Configure rstp vlan bridge
(config)# vlan database	
(config)#vlan 1050 bridge 1 state enable	Configure vlans from 1050 and associate with bridge 1
(config)#interface ce1/1	Enter Interface mode for ce1/1
(config-if)#switchport	Make as L2 port by configuring switchport
(config-if)#bridge-group 1	Associate to bridge 1
(config-if)# bridge-group 1 spanning-tree disable	Configure stp disable
(config-if)# switchport mode trunk	Mode as trunk
(config-if)# switchport trunk allowed vlan add 1050	Trunk allowed vlan as 1050
(config-if)#exit	Exit Interface mode and return to Configure mode.
(config)#interface ce25/1	Enter Interface mode for ce25/1
(config-if)#switchport	Make as L2 port by configuring switchport
(config-if)#bridge-group 1	Associate to bridge 1
(config-if)# bridge-group 1 spanning-tree disable	Configure stp disable
(config-if)# switchport mode trunk	Mode as trunk
(config-if)# switchport trunk allowed vlan add 1050	Trunk allowed vlan as 1050
(config-if)#exit	Exit Interface mode and return to Configure mode.
(config)#commit	Commit the candidate configuration to running configuration and save config and reload board

TOR2 (MH)

Multihomed to 2-VTEPs (VTEP2 and VTEP3).

#configure terminal	Enter Configure mode.
(config)# bridge 1 protocol rstp vlan-bridge	Configure rstp vlan bridge
(config)# vlan database	
(config)#vlan 1060 bridge 1 state enable	Configure vlans from 1060 and associate with bridge 1
(config)#interface po1000	Enter Interface mode for po1000
(config-if)#switchport	Make as L2 port by configuring switchport
(config-if)#bridge-group 1	Associate to bridge 1
(config-if)# bridge-group 1 spanning-tree disable	Configure stp disable
(config-if)# switchport mode trunk	Mode as trunk
(config-if)# switchport trunk allowed vlan add 1060	Trunk allowed vlan as 1060
(config-if)#exit	Exit Interface mode and return to Configure mode.
(config)#interface xe4	Enter Interface mode for xe4
(config-if)# channel-group 1000 mode active	Make it member of po1000
(config-if)#exit	Exit Interface mode and return to Configure mode.
(config)#interface xe7	Enter Interface mode for xe7
(config-if)# channel-group 1000 mode active	Make it member of po1000
(config-if)#exit	Exit Interface mode and return to Configure mode.
(config)#interface xe7	Enter Interface mode for ce25/1
(config-if)#switchport	Make as L2 port by configuring switchport
(config-if)#bridge-group 1	Associate to bridge 1
(config-if)# bridge-group 1 spanning-tree disable	Configure stp disable
(config-if)# switchport mode trunk	Mode as trunk
(config-if)# switchport trunk allowed vlan add 1060	Trunk allowed vlan as 1060
(config-if)#exit	Exit Interface mode and return to Configure mode.
(config)#commit	Commit the candidate configuration to running configuration and save config and reload board

Spine1

Spine node where all VTEPs are connected.

Generic configuration:

#configure terminal	Enter Configure mode.
(Config)#qos enable	Enabling qos

VXLAN-IRB-Inter-VRF Route Leaking

(Config)# bfd interval 3 minrx 3 multiplier 3	Configure bfd
(config)#commit	Commit the candidate configuration to running configuration and save config and reload board

Interface and loopback configuration:

(config)#interface lo	Enter Interface mode for lo
(config-if)#ip address 62.62.62.62/32 secondary	Configure loopback ip address
(config-if)#exit	Exit Interface mode and return to Configure mode.
(config)#interface xe40	Enter Interface mode
(config-if)# description ***Connected to VTEP1***	Description of interface
(config-if)#ip address ip address 10.10.10.2/31	Configure ip address on network side of VTEP1
(config-if)#exit	Exit Interface mode and return to Configure mode.
(config)#interface xe25	Enter Interface mode
(config-if)# description ***Connected to VTEP2***	Description of interface
(config-if)#ip address ip address 10.10.12.2/31	Configure ip address on network side of VTEP2
(config-if)#exit	Exit Interface mode and return to Configure mode.
(config)#interface xe27	Enter Interface mode
(config-if)# description ***Connected to VTEP3***	Description of interface
(config-if)#ip address ip address 10.10.24.2/31	Configure ip address on network side of VTEP3
(config-if)#exit	Exit Interface mode and return to Configure mode.
(config)#interface xe39	Enter Interface mode
(config-if)# description ***Connected to BorderVTEP1***	Description of interface
(config-if)#ip address ip address 10.10.14.2/31	Configure ip address on network side of BorderVTEP1
(config-if)#exit	Exit Interface mode and return to Configure mode.
(config)#commit	Commit the candidate configuration to running configuration and save config and reload board

OSPF configuration:

(config)#router ospf 100	Enter into router OSPF mode
(config-router)#ospf router-id 62.62.62.62	Configure router-id as lo ip address
(config-router)#network 62.62.62.62/32 area 0.0.0.0	Add lo ip address network into area 0
(config-router)#network 10.10.10.0/24 area 0.0.0.0	Add VTEP1 network into area 0

(config-router)#network 10.10.12.0/24 area 0.0.0.0	Add VTEP2 network into area 0
(config-router)#network 10.10.14.0/24 area 0.0.0.0	Add VTEP4 network into area 0
(config-router)#network 10.10.24.0/24 area 0.0.0.0	Add VTEP3 network into area 0
(config-router)#bfd all-interfaces	Enabling bfd on all ospf interface for fast convergence
(config-if)#exit	Exit Interface mode and return to Configure mode.
(config)#commit	Commit the candidate configuration to running configuration and save config and reload board

Validations

Firewall

=====

```
Firewall#show ip bgp summary
BGP router identifier 10.10.19.2, local AS number 64603
BGP table version is 3
2 BGP AS-PATH entries
0 BGP community entries
8 Configured ebgp ECMP multipath: Currently set at 8
```

Neighbor	V	AS	MsgRcv	MsgSen	TblVer	InQ	OutQ	Up/Dow
10.10.18.1	4	500	46	58	3	0	0	00:17:36
	3							

Total number of neighbors 1

Total number of Established sessions 1

```
Firewall#show ip roy
Firewall#show ip route vrf all
Codes: K - kernel, C - connected, S - static, R - RIP, B - BGP
O - OSPF, IA - OSPF inter area
N1 - OSPF NSSA external type 1, N2 - OSPF NSSA external type 2
E1 - OSPF external type 1, E2 - OSPF external type 2
i - IS-IS, L1 - IS-IS level-1, L2 - IS-IS level-2,
ia - IS-IS inter area, E - EVPN,
v - vrf leaked
* - candidate default
```

IP Route Table for VRF "default"

```
C      10.10.18.0/24 is directly connected, vlan1.1067, 00:19:40
C      10.10.20.0/24 is directly connected, ce1/1, 00:00:13
B      10.12.32.0/24 [20/0] via 10.10.18.1, vlan1.1067, 00:17:43
B      10.240.38.0/24 [20/0] via 10.10.18.1, vlan1.1067, 00:17:43
C      127.0.0.0/8 is directly connected, lo, 00:52:18
```

IP Route Table for VRF "management"

```
C      10.12.85.0/24 is directly connected, eth0, 00:52:07
```

VXLAN-IRB-Inter-VRF Route Leaking

```
C          127.0.0.0/8 is directly connected, lo.management, 00:52:18
```

```
Gateway of last resort is not set
FW#
```

```
BorderVTEP1
```

```
=====
```

```
BorderVTEP1#show nvo vxlan
```

```
VXLAN Information
```

```
=====
```

```
Codes: NW - Network Port
       AC - Access Port
       (u) - Untagged
```

VNID	VNI-Name	VNI-Type	Type	Interface	ESI	VLAN	DF-Status
Src-Addr	Dst-Addr						
1067	----	--	AC	ce50	---	Single Homed Port	---
----	----					1067	----
10402	----	L3	NW	----	----		----
66.66.66.66	60.60.60.60						
10402	----	L3	NW	----	----		----
66.66.66.66	76.76.76.76						
10502	----	L3	NW	----	----		----
66.66.66.66	51.51.51.51						

```
Total number of entries are 4
```

```
BorderVTEP1#show nvo vxlan tunnel
```

```
VXLAN Network tunnel Entries
```

Source	Destination	Status	Up/Down	Update
66.66.66.66	51.51.51.51	Installed	00:22:36	00:22:36
66.66.66.66	60.60.60.60	Installed	00:22:36	00:22:36
66.66.66.66	76.76.76.76	Installed	00:22:36	00:22:36

```
Total number of entries are 3
```

```
BorderVTEP1#show ip route vrf all
```

```
Codes: K - kernel, C - connected, S - static, R - RIP, B - BGP
```

```
O - OSPF, IA - OSPF inter area
```

```
N1 - OSPF NSSA external type 1, N2 - OSPF NSSA external type 2
```

```
E1 - OSPF external type 1, E2 - OSPF external type 2
```

```
i - IS-IS, L1 - IS-IS level-1, L2 - IS-IS level-2,
```

```
ia - IS-IS inter area, E - EVPN,
```

```
v - vrf leaked
```

```
* - candidate default
```

```
IP Route Table for VRF "default"
```

```
O          10.10.10.0/31 [110/2] via 10.10.14.0, xe39, 00:22:44
O          10.10.12.0/31 [110/2] via 10.10.14.0, xe39, 00:22:44
C          10.10.14.0/31 is directly connected, xe39, 00:23:29
```

```
O          10.10.24.0/31 [110/2] via 10.10.14.0, xe39, 00:22:44
O          51.51.51.51/32 [110/3] via 10.10.14.0, xe39, 00:22:44
O          60.60.60.60/32 [110/3] via 10.10.14.0, xe39, 00:22:44
C          66.66.66.66/32 is directly connected, lo, 00:23:32
O          76.76.76.76/32 [110/3] via 10.10.14.0, xe39, 00:22:44
C          127.0.0.0/8 is directly connected, lo, 00:24:12
IP Route Table for VRF "management"
C          10.12.86.0/24 is directly connected, eth0, 00:23:38
C          127.0.0.0/8 is directly connected, lo.management, 00:24:12
IP Route Table for VRF "gvrif"
Gateway of last resort is 10.10.18.2 to network 0.0.0.0

B*         0.0.0.0/0 [20/0] via 10.10.18.2, irb1067, 00:21:31
C          10.10.18.0/24 is directly connected, irb1067, 00:23:30
B          10.10.20.0/24 [20/0] via 10.10.18.2, irb1067, 00:04:01
B v        10.12.32.0/24 [200/0] via 51.51.51.51 (recursive is directly connected,
tunvxlan3), 00:22:39
B v        10.240.38.0/24 [200/0] via 60.60.60.60 (recursive is directly connected,
tunvxlan4), 00:22:40
C          127.0.0.0/8 is directly connected, lo.gvrif, 00:23:36
IP Route Table for VRF "SMS"
Gateway of last resort is 10.10.18.2 to network 0.0.0.0

B* v       0.0.0.0/0 [20/0] via 10.10.18.2, irb1067, 00:21:31
B v        10.10.18.0/24 [20/0] is directly connected, irb1067, 00:23:30
B v        10.10.20.0/24 [20/0] via 10.10.18.2, irb1067, 00:04:01
B          10.240.38.0/24 [200/0] via 60.60.60.60 (recursive is directly connected,
tunvxlan4), 00:22:40
B          60.60.60.60/32 [0/0] is directly connected, tunvxlan4, 00:22:39
B          76.76.76.76/32 [0/0] is directly connected, tunvxlan4, 00:22:39
C          127.0.0.0/8 is directly connected, lo.SMS, 00:23:35
IP Route Table for VRF "FAX"
Gateway of last resort is 10.10.18.2 to network 0.0.0.0

B* v       0.0.0.0/0 [20/0] via 10.10.18.2, irb1067, 00:21:31
B v        10.10.18.0/24 [20/0] is directly connected, irb1067, 00:23:30
B v        10.10.20.0/24 [20/0] via 10.10.18.2, irb1067, 00:04:01
B          10.12.32.0/24 [200/0] via 51.51.51.51 (recursive is directly connected,
tunvxlan3), 00:22:39
B          51.51.51.51/32 [0/0] is directly connected, tunvxlan3, 00:22:39
C          127.0.0.0/8 is directly connected, lo.FAX, 00:23:35
IP Route Table for VRF "SMM"
C          127.0.0.0/8 is directly connected, lo.SMM, 00:23:35

Gateway of last resort is not set
BorderVTEP1# show bgp l2vpn evpn summary
BGP router identifier 66.66.66.66, local AS number 500
BGP table version is 6
2 BGP AS-PATH entries
0 BGP community entries
```

VXLAN-IRB-Inter-VRF Route Leaking

Neighbor PfxRcd	AD	MACIP	V MCAST	AS	MsgRcv ESI	MsgSen PREFIX-ROUTE	TblVer	InQ	OutQ	Up/Down	State/
51.51.51.51			4	500	62	71	6	0	0	00:22:50	
7 0	5		1	0	1						
60.60.60.60			4	500	65	71	6	0	0	00:22:50	
8 2	3		1	1	1						
76.76.76.76			4	500	65	70	6	0	0	00:22:50	
9 2	4		1	1	1						

Total number of neighbors 3

Total number of Established sessions 3

BorderVTEP1# show bgp l2vpn evpn

BGP table version is 6, local router ID is 66.66.66.66

Status codes: s suppressed, d damped, h history, * valid, > best, i - internal,
l - labeled, S Stale

Origin codes: i - IGP, e - EGP, ? - incomplete

[EVPN route type]:[ESI]:[VNID]:[relevent route informantion]

- 1 - Ethernet Auto-discovery Route
- 2 - MAC/IP Route
- 3 - Inclusive Multicast Route
- 4 - Ethernet Segment Route
- 5 - Prefix Route

Network Encap	Next Hop	Metric	LocPrf	Weight	Path	Peer
---------------	----------	--------	--------	--------	------	------

RD[2.2.4.4:4] VRF[RED]:

```
* i [1]:[00:00:00:44:44:55:55:00:00:00]:[1060]:[1060]
      76.76.76.76 0 100 0 i 76.76.76.76 VXLAN
* i 60.60.60.60 0 100 0 i 60.60.60.60 VXLAN
* i [1]:[00:00:00:44:44:55:55:00:00:00]:[4294967295]:[0]
      76.76.76.76 0 100 0 i 76.76.76.76 VXLAN
* i 60.60.60.60 0 100 0 i 60.60.60.60 VXLAN
* i [2]:[0]:[1050]:[48,0000:0e8d:561a]:[0]:[1050]
      51.51.51.51 0 100 0 i 51.51.51.51 VXLAN
* i [2]:[0]:[1050]:[48,0000:0e8d:561a]:[32,10.12.32.11]:[1050]
      51.51.51.51 0 100 0 i 51.51.51.51 VXLAN
* i [2]:[0]:[1050]:[48,0000:3333:1050]:[32,10.12.32.10]:[1050]
      51.51.51.51 0 100 0 i 51.51.51.51 VXLAN
* i [2]:[0]:[1050]:[48,3c2c:99d6:167a]:[32,10.12.32.1]:[1050]
      51.51.51.51 0 100 0 i 51.51.51.51 VXLAN
* i [2]:[0]:[1050]:[48,3c2c:99d6:167a]:[128,2401::1]:[1050]
      51.51.51.51 0 100 0 i 51.51.51.51 VXLAN
* i [2]:[00:00:00:44:44:55:55:00:00:00]:[1060]:[48,0000:0e8d:5619]:[0]:[1060]
      76.76.76.76 0 100 0 i 76.76.76.76 VXLAN
* i [2]:[00:00:00:44:44:55:55:00:00:00]:[1060]:[48,0000:2222:1060]:[32,10.240.38.10]:[1060]
      76.76.76.76 0 100 0 i 76.76.76.76 VXLAN
* i 60.60.60.60 0 100 0 i 60.60.60.60 VXLAN
* i [2]:[0]:[1060]:[48,0000:2222:3333]:[32,10.240.38.1]:[1060]
```

```

76.76.76.76      0      100      0      i  76.76.76.76      VXLAN
* i      60.60.60.60      0      100      0      i  60.60.60.60      VXLAN
* i  [2]:[0]:[1060]:[48,0000:2222:3333]:[128,1601::1]:[1060]
76.76.76.76      0      100      0      i  76.76.76.76      VXLAN
* i      60.60.60.60      0      100      0      i  60.60.60.60      VXLAN
*>  [2]:[0]:[1067]:[48,3c2c:991c:dc7a]:[32,10.10.18.1]:[1067]
66.66.66.66      0      100      32768      i  -----
VXLAN
*>  [2]:[0]:[1067]:[48,a82b:b5cf:f806]:[32,10.10.18.2]:[1067]
66.66.66.66      0      100      32768      i  -----
VXLAN
* i  [3]:[1050]:[32,51.51.51.51]
51.51.51.51      0      100      0      i  51.51.51.51      VXLAN
* i  [3]:[1060]:[32,60.60.60.60]
60.60.60.60      0      100      0      i  60.60.60.60      VXLAN
* i  [3]:[1060]:[32,76.76.76.76]
76.76.76.76      0      100      0      i  76.76.76.76      VXLAN
*>  [3]:[1067]:[32,66.66.66.66]
66.66.66.66      0      100      32768      i  -----
VXLAN

RD[2.3.4.5:1]
*>i  [2]:[0]:[1050]:[48,0000:0e8d:561a]:[0]:[1050]
51.51.51.51      0      100      0      i  51.51.51.51      VXLAN
*>i  [2]:[0]:[1050]:[48,0000:0e8d:561a]:[32,10.12.32.11]:[1050]
51.51.51.51      0      100      0      i  51.51.51.51      VXLAN
*>i  [2]:[0]:[1050]:[48,0000:3333:1050]:[32,10.12.32.10]:[1050]
51.51.51.51      0      100      0      i  51.51.51.51      VXLAN
*>i  [2]:[0]:[1050]:[48,3c2c:99d6:167a]:[32,10.12.32.1]:[1050]
51.51.51.51      0      100      0      i  51.51.51.51      VXLAN
*>i  [2]:[0]:[1050]:[48,3c2c:99d6:167a]:[128,2401::1]:[1050]
51.51.51.51      0      100      0      i  51.51.51.51      VXLAN
*>i  [3]:[1050]:[32,51.51.51.51]
51.51.51.51      0      100      0      i  51.51.51.51      VXLAN

RD[2.3.4.5:2]
*>i  [1]:[00:00:00:44:44:55:55:00:00:00]:[1060]:[1060]
60.60.60.60      0      100      0      i  60.60.60.60      VXLAN
*>i
[2]:[00:00:00:44:44:55:55:00:00:00]:[1060]:[48,0000:2222:1060]:[32,10.240.38.10]:[1060]
60.60.60.60      0      100      0      i  60.60.60.60      VXLAN
*>i  [2]:[0]:[1060]:[48,0000:2222:3333]:[32,10.240.38.1]:[1060]
60.60.60.60      0      100      0      i  60.60.60.60      VXLAN
*>i  [2]:[0]:[1060]:[48,0000:2222:3333]:[128,1601::1]:[1060]
60.60.60.60      0      100      0      i  60.60.60.60      VXLAN
*>i  [3]:[1060]:[32,60.60.60.60]
60.60.60.60      0      100      0      i  60.60.60.60      VXLAN

RD[2.3.4.6:2]
*>i  [1]:[00:00:00:44:44:55:55:00:00:00]:[1060]:[1060]
76.76.76.76      0      100      0      i  76.76.76.76      VXLAN

```

VXLAN-IRB-Inter-VRF Route Leaking

```

*>i [2]:[00:00:00:44:44:55:55:00:00:00]:[1060]:[48,0000:0e8d:5619]:[0]:[1060]
      76.76.76.76          0          100          0    i  76.76.76.76          VXLAN
*>i
[2]:[00:00:00:44:44:55:55:00:00:00]:[1060]:[48,0000:2222:1060]:[32,10.240.38.10]:[1060]
      76.76.76.76          0          100          0    i  76.76.76.76          VXLAN
*>i [2]:[0]:[1060]:[48,0000:2222:3333]:[32,10.240.38.1]:[1060]
      76.76.76.76          0          100          0    i  76.76.76.76          VXLAN
*>i [2]:[0]:[1060]:[48,0000:2222:3333]:[128,1601::1]:[1060]
      76.76.76.76          0          100          0    i  76.76.76.76          VXLAN
*>i [3]:[1060]:[32,76.76.76.76]
      76.76.76.76          0          100          0    i  76.76.76.76          VXLAN

RD[51.51.51.51:1050]
*>i [5]:[0]:[10502]:[24]:[10.12.32.0]:[0.0.0.0]:[10502]
      51.51.51.51          0          100          0    ?  51.51.51.51          VXLAN

RD[60.60.60.60:1]
*>i [1]:[00:00:00:44:44:55:55:00:00:00]:[4294967295]:[0]
      60.60.60.60          0          100          0    i  60.60.60.60          VXLAN
*>i [4]:[00:00:00:44:44:55:55:00:00:00]:[32,60.60.60.60]
      60.60.60.60          0          100          0    i  60.60.60.60          VXLAN

RD[60.60.60.60:1040]
*>i [5]:[0]:[10402]:[24]:[10.240.38.0]:[0.0.0.0]:[10402]
      60.60.60.60          0          100          0    ?  60.60.60.60          VXLAN

RD[76.76.76.76:1]
*>i [1]:[00:00:00:44:44:55:55:00:00:00]:[4294967295]:[0]
      76.76.76.76          0          100          0    i  76.76.76.76          VXLAN
*>i [4]:[00:00:00:44:44:55:55:00:00:00]:[32,76.76.76.76]
      76.76.76.76          0          100          0    i  76.76.76.76          VXLAN

RD[76.76.76.76:1040]
*>i [5]:[0]:[10402]:[24]:[10.240.38.0]:[0.0.0.0]:[10402]
      76.76.76.76          0          100          0    ?  76.76.76.76          VXLAN

```

Total number of prefixes 41

BorderVTEP1#

BorderVTEP1#show bgp l2vpn evpn prefix-route

```

RD[51.51.51.51:1050]
ESI          Eth-Tag Prefix-Length   IP-Address      Encap      Router-Mac      GW-
IPAddress          L3VNID   Nextthop
0          10502 24          10.12.32.0      0.0.0.0
10502     51.51.51.51  VXLAN      3c2c:99d6:167a

```

```

RD[60.60.60.60:1040]
ESI          Eth-Tag Prefix-Length   IP-Address      Encap      Router-Mac      GW-
IPAddress          L3VNID   Nextthop

```

```
0          10402 24          10.240.38.0          0.0.0.0
10402     60.60.60.60      VXLAN      3c2c:99d1:117a
```

RD[76.76.76.76:1040]

```
ESI          Eth-Tag Prefix-Length  IP-Address  GW-
IPAddress    L3VNID  Nexthop    Router-Mac
0          10402 24          10.240.38.0  0.0.0.0
10402     76.76.76.76  VXLAN      3c2c:99de:1e7a
```

VTEP3

=====

VTEP3#show nvo vxlan
VXLAN Information

=====

Codes: NW - Network Port
AC - Access Port
(u) - Untagged

VNID	VNI-Name	VNI-Type	Type	Interface	ESI	VLAN	DF-Status
Src-Addr	Dst-Addr						
1060	----	L2	NW	----	----	----	----
76.76.76.76	60.60.60.60						
1060	----	--	AC	po1000	00:00:00:44:44:55:55:00:00:00	1060	NON-DF
----	----						
10402	----	L3	NW	----	----	----	----
76.76.76.76	66.66.66.66						

Total number of entries are 3

VTEP3#show nvo vxlan tunnel
VXLAN Network tunnel Entries

Source	Destination	Status	Up/Down	Update
76.76.76.76	66.66.66.66	Installed	00:24:35	00:24:35
76.76.76.76	60.60.60.60	Installed	00:54:40	00:54:40

Total number of entries are 2

VTEP3#show ip route vrf all

Codes: K - kernel, C - connected, S - static, R - RIP, B - BGP
O - OSPF, IA - OSPF inter area
N1 - OSPF NSSA external type 1, N2 - OSPF NSSA external type 2
E1 - OSPF external type 1, E2 - OSPF external type 2
i - IS-IS, L1 - IS-IS level-1, L2 - IS-IS level-2,
ia - IS-IS inter area, E - EVPN,
v - vrf leaked
* - candidate default

IP Route Table for VRF "default"

VXLAN-IRB-Inter-VRF Route Leaking

```
O      10.10.10.0/31 [110/2] via 10.10.24.1, xe27, 00:54:56
O      10.10.12.0/31 [110/2] via 10.10.24.1, xe27, 00:54:56
O      10.10.14.0/31 [110/2] via 10.10.24.1, xe27, 00:25:31
C      10.10.24.0/31 is directly connected, xe27, 00:55:37
O      51.51.51.51/32 [110/3] via 10.10.24.1, xe27, 00:54:47
O      60.60.60.60/32 [110/3] via 10.10.24.1, xe27, 00:54:45
O      66.66.66.66/32 [110/3] via 10.10.24.1, xe27, 00:24:46
C      76.76.76.76/32 is directly connected, lo, 00:55:38
C      127.0.0.0/8 is directly connected, lo, 00:55:39
IP Route Table for VRF "management"
C      10.12.20.0/24 is directly connected, eth0, 00:55:10
C      127.0.0.0/8 is directly connected, lo.management, 00:55:39
IP Route Table for VRF "SMS"
Gateway of last resort is 66.66.66.66 to network 0.0.0.0
```

```
B*     0.0.0.0/0 [200/0] via 66.66.66.66 (recursive is directly connected,
tunvxlan2), 00:23:33
B      10.10.18.0/24 [200/0] via 66.66.66.66 (recursive is directly connected,
tunvxlan2), 00:24:41
B      10.10.20.0/24 [200/0] via 66.66.66.66 (recursive is directly connected,
tunvxlan2), 00:06:03
C      10.240.38.0/24 is directly connected, irb1060, 00:55:38
B      66.66.66.66/32 [0/0] is directly connected, tunvxlan2, 00:24:41
C      127.0.0.0/8 is directly connected, lo.SMS, 00:55:39
```

```
VTEP3# show bgp l2vpn evpn summary
BGP router identifier 76.76.76.76, local AS number 500
BGP table version is 8
2 BGP AS-PATH entries
0 BGP community entries
```

Neighbor	AD	MACIP	V MCAST	AS	MsgRcv	MsgSen	TblVer	InQ	OutQ	Up/Down	State/
PfxRcd					ESI	PREFIX-ROUTE					
60.60.60.60			4	500	144	140	7	0	0	00:54:55	
8	2	3	1	1	1						
66.66.66.66			4	500	127	125	7	0	0	00:24:51	
12	0	2	1	0	9						

Total number of neighbors 2

Total number of Established sessions 2

```
VTEP3# show bgp l2vpn evpn
BGP table version is 8, local router ID is 76.76.76.76
Status codes: s suppressed, d damped, h history, * valid, > best, i - internal,
l - labeled, S Stale
Origin codes: i - IGP, e - EGP, ? - incomplete
```

```
[EVPN route type]:[ESI]:[VNID]:[relevent route informantion]
1 - Ethernet Auto-discovery Route
2 - MAC/IP Route
3 - Inclusive Multicast Route
4 - Ethernet Segment Route
5 - Prefix Route
```


Network Encap	Next Hop	Metric	LocPrf	Weight	Path	Peer
RD[2.2.4.4:4]						
*>i [2]:[0]:[1067]:[48,3c2c:991c:dc7a]:[32,10.10.18.1]:[1067]	66.66.66.66	0	100	0	i	66.66.66.66 VXLAN
*>i [2]:[0]:[1067]:[48,a82b:b5cf:f806]:[32,10.10.18.2]:[1067]	66.66.66.66	0	100	0	i	66.66.66.66 VXLAN
*>i [3]:[1067]:[32,66.66.66.66]	66.66.66.66	0	100	0	i	66.66.66.66 VXLAN
RD[2.3.4.5:2]						
*>i [1]:[00:00:00:44:44:55:55:00:00:00]:[1060]:[1060]	60.60.60.60	0	100	0	i	60.60.60.60 VXLAN
*>i [2]:[00:00:00:44:44:55:55:00:00:00]:[1060]:[48,0000:2222:1060]:[32,10.240.38.10]:[1060]	60.60.60.60	0	100	0	i	60.60.60.60 VXLAN
*>i [2]:[0]:[1060]:[48,0000:2222:3333]:[32,10.240.38.1]:[1060]	60.60.60.60	0	100	0	i	60.60.60.60 VXLAN
*>i [2]:[0]:[1060]:[48,0000:2222:3333]:[128,1601:::1]:[1060]	60.60.60.60	0	100	0	i	60.60.60.60 VXLAN
*>i [3]:[1060]:[32,60.60.60.60]	60.60.60.60	0	100	0	i	60.60.60.60 VXLAN
RD[2.3.4.6:2] VRF[RED]:						
*> [1]:[00:00:00:44:44:55:55:00:00:00]:[1060]:[1060]	76.76.76.76	0	100	32768	i	-----
VXLAN						
* i [1]:[00:00:00:44:44:55:55:00:00:00]:[4294967295]:[0]	60.60.60.60	0	100	0	i	60.60.60.60 VXLAN
*> [2]:[00:00:00:44:44:55:55:00:00:00]:[1060]:[48,0000:0e8d:5619]:[0]:[1060]	60.60.60.60	0	100	0	i	60.60.60.60 VXLAN
*> [2]:[00:00:00:44:44:55:55:00:00:00]:[1060]:[48,0000:0e8d:5619]:[0]:[1060]	76.76.76.76	0	100	32768	i	-----
VXLAN						
*> [2]:[00:00:00:44:44:55:55:00:00:00]:[1060]:[48,0000:2222:1060]:[32,10.240.38.10]:[1060]	76.76.76.76	0	100	32768	i	-----
VXLAN						
* i [2]:[0]:[1060]:[48,0000:2222:3333]:[32,10.240.38.1]:[1060]	60.60.60.60	0	100	0	i	60.60.60.60 VXLAN
* i [2]:[0]:[1060]:[48,0000:2222:3333]:[32,10.240.38.1]:[1060]	60.60.60.60	0	100	0	i	60.60.60.60 VXLAN
*> [2]:[0]:[1060]:[48,0000:2222:3333]:[128,1601:::1]:[1060]	60.60.60.60	0	100	0	i	60.60.60.60 VXLAN
*> [2]:[0]:[1060]:[48,0000:2222:3333]:[128,1601:::1]:[1060]	76.76.76.76	0	100	32768	i	-----
VXLAN						
* i [2]:[0]:[1067]:[48,3c2c:991c:dc7a]:[32,10.10.18.1]:[1067]	66.66.66.66	0	100	0	i	66.66.66.66 VXLAN
* i [2]:[0]:[1067]:[48,a82b:b5cf:f806]:[32,10.10.18.2]:[1067]	66.66.66.66	0	100	0	i	66.66.66.66 VXLAN

VXLAN-IRB-Inter-VRF Route Leaking

```
* i [3]:[1060]:[32,60.60.60.60]
      60.60.60.60      0      100      0      i 60.60.60.60      VXLAN
*> [3]:[1060]:[32,76.76.76.76]
      76.76.76.76      0      100      32768      i -----
VXLAN
* i [3]:[1067]:[32,66.66.66.66]
      66.66.66.66      0      100      0      i 66.66.66.66      VXLAN

RD[4.5.6.8:6]
*>i [5]:[0]:[500]:[0]:[0.0.0.0]:[0.0.0.0]:[500]
      66.66.66.66      0      100      0      64603      i 66.66.66.66
VXLAN
*>i [5]:[0]:[500]:[24]:[10.10.18.0]:[0.0.0.0]:[500]
      66.66.66.66      0      100      0      ? 66.66.66.66      VXLAN
*>i [5]:[0]:[500]:[24]:[10.10.20.0]:[0.0.0.0]:[500]
      66.66.66.66      0      100      0      64603      i 66.66.66.66
VXLAN

RD[60.60.60.60:1]
*>i [1]:[00:00:00:44:44:55:55:00:00:00]:[4294967295]:[0]
      60.60.60.60      0      100      0      i 60.60.60.60      VXLAN
*>i [4]:[00:00:00:44:44:55:55:00:00:00]:[32,60.60.60.60]
      60.60.60.60      0      100      0      i 60.60.60.60      VXLAN

RD[60.60.60.60:1040]
*>i [5]:[0]:[10402]:[24]:[10.240.38.0]:[0.0.0.0]:[10402]
      60.60.60.60      0      100      0      ? 60.60.60.60      VXLAN

RD[66.66.66.66:1050]
*>i [5]:[0]:[500]:[0]:[0.0.0.0]:[0.0.0.0]:[500]
      66.66.66.66      0      100      0      64603      i 66.66.66.66
VXLAN
*>i [5]:[0]:[500]:[24]:[10.10.18.0]:[0.0.0.0]:[500]
      66.66.66.66      0      100      0      ? 66.66.66.66      VXLAN
*>i [5]:[0]:[500]:[24]:[10.10.20.0]:[0.0.0.0]:[500]
      66.66.66.66      0      100      0      64603      i 66.66.66.66
VXLAN

RD[66.66.66.66:1060]
*>i [5]:[0]:[500]:[0]:[0.0.0.0]:[0.0.0.0]:[500]
      66.66.66.66      0      100      0      64603      i 66.66.66.66
VXLAN
*>i [5]:[0]:[500]:[24]:[10.10.18.0]:[0.0.0.0]:[500]
      66.66.66.66      0      100      0      ? 66.66.66.66      VXLAN
*>i [5]:[0]:[500]:[24]:[10.10.20.0]:[0.0.0.0]:[500]
      66.66.66.66      0      100      0      64603      i 66.66.66.66
VXLAN

RD[76.76.76.76:1] VRF[evpn-gvrf-1]:
*> [1]:[00:00:00:44:44:55:55:00:00:00]:[4294967295]:[0]
      76.76.76.76      0      100      32768      i -----
VXLAN
```

```
* i [4]:[00:00:00:44:44:55:55:00:00:00]:[32,60.60.60.60]
      60.60.60.60      0      100      0      i 60.60.60.60      VXLAN
*> [4]:[00:00:00:44:44:55:55:00:00:00]:[32,76.76.76.76]
      76.76.76.76      0      100      32768      i -----
VXLAN
```

Total number of prefixes 34

VTEP3#

VTEP3#show bgp l2vpn evpn prefix-route

RD[4.5.6.8:6]

ESI IPAddress	Eth-Tag	Prefix-Length L3VNID	IP-Address Nexthop	Encap	Router-Mac	GW-
0	500 0	0.0.0.0		0.0.0.0		
500	66.66.66.66 VXLAN	3c2c:991c:dc7a				
0	500 24	10.10.18.0		0.0.0.0		
500	66.66.66.66 VXLAN	3c2c:991c:dc7a				
0	500 24	10.10.20.0		0.0.0.0		
500	66.66.66.66 VXLAN	3c2c:991c:dc7a				

RD[60.60.60.60:1040]

ESI IPAddress	Eth-Tag	Prefix-Length L3VNID	IP-Address Nexthop	Encap	Router-Mac	GW-
0	10402 24	10.240.38.0		0.0.0.0		
10402	60.60.60.60 VXLAN	3c2c:99d1:117a				

RD[66.66.66.66:1050]

ESI IPAddress	Eth-Tag	Prefix-Length L3VNID	IP-Address Nexthop	Encap	Router-Mac	GW-
0	500 0	0.0.0.0		0.0.0.0		
500	66.66.66.66 VXLAN	3c2c:991c:dc7a				
0	500 24	10.10.18.0		0.0.0.0		
500	66.66.66.66 VXLAN	3c2c:991c:dc7a				
0	500 24	10.10.20.0		0.0.0.0		
500	66.66.66.66 VXLAN	3c2c:991c:dc7a				

RD[66.66.66.66:1060]

ESI IPAddress	Eth-Tag	Prefix-Length L3VNID	IP-Address Nexthop	Encap	Router-Mac	GW-
0	500 0	0.0.0.0		0.0.0.0		
500	66.66.66.66 VXLAN	3c2c:991c:dc7a				
0	500 24	10.10.18.0		0.0.0.0		
500	66.66.66.66 VXLAN	3c2c:991c:dc7a				
0	500 24	10.10.20.0		0.0.0.0		
500	66.66.66.66 VXLAN	3c2c:991c:dc7a				

VTEP2

=====

VTEP2#show nvo vxlan

VXLAN Information

=====

Codes: NW - Network Port

VXLAN-IRB-Inter-VRF Route Leaking

AC - Access Port
(u) - Untagged

VNID	VNI-Name	VNI-Type	Type	Interface	ESI	VLAN	DF-Status
Src-Addr	Dst-Addr						
1060	----	L2	NW	----	----	----	----
60.60.60.60	76.76.76.76						
1060	----	--	AC	po1000	00:00:00:44:44:55:55:00:00:00	1060	DF
----	----						
10402	----	L3	NW	----	----	----	----
60.60.60.60	66.66.66.66						

Total number of entries are 3

VTEP2#show nvo vxlan tunnel

VXLAN Network tunnel Entries

Source	Destination	Status	Up/Down	Update
60.60.60.60	66.66.66.66	Installed	00:26:50	00:26:50
60.60.60.60	76.76.76.76	Installed	00:56:51	00:56:51

Total number of entries are 2

VTEP2#show ip route vrf all

Codes: K - kernel, C - connected, S - static, R - RIP, B - BGP

O - OSPF, IA - OSPF inter area

N1 - OSPF NSSA external type 1, N2 - OSPF NSSA external type 2

E1 - OSPF external type 1, E2 - OSPF external type 2

i - IS-IS, L1 - IS-IS level-1, L2 - IS-IS level-2,

ia - IS-IS inter area, E - EVPN,

v - vrf leaked

* - candidate default

IP Route Table for VRF "default"

```
O      10.10.10.0/31 [110/2] via 10.10.12.0, xe25, 00:57:13
C      10.10.12.0/31 is directly connected, xe25, 00:57:57
O      10.10.14.0/31 [110/2] via 10.10.12.0, xe25, 00:27:47
O      10.10.16.0/31 [110/2] via 10.10.12.0, xe25, 00:57:13
O      10.10.24.0/31 [110/2] via 10.10.12.0, xe25, 00:57:13
O      51.51.51.51/32 [110/3] via 10.10.12.0, xe25, 00:57:03
C      60.60.60.60/32 is directly connected, lo, 00:57:59
O      66.66.66.66/32 [110/3] via 10.10.12.0, xe25, 00:27:02
O      76.76.76.76/32 [110/3] via 10.10.12.0, xe25, 00:57:13
C      127.0.0.0/8 is directly connected, lo, 00:58:00
```

IP Route Table for VRF "management"

```
C      10.12.20.0/24 is directly connected, eth0, 00:57:29
C      127.0.0.0/8 is directly connected, lo.management, 00:58:00
```

IP Route Table for VRF "SMS"

Gateway of last resort is 66.66.66.66 to network 0.0.0.0

```
B*      0.0.0.0/0 [200/0] via 66.66.66.66 (recursive is directly connected,
tunvxlan2), 00:25:49
```

```

B      10.10.18.0/24 [200/0] via 66.66.66.66 (recursive is directly connected,
tunvxlan2), 00:26:58
B      10.10.20.0/24 [200/0] via 66.66.66.66 (recursive is directly connected,
tunvxlan2), 00:08:19
C      10.240.38.0/24 is directly connected, irb1060, 00:57:58
B      66.66.66.66/32 [0/0] is directly connected, tunvxlan2, 00:26:58
C      127.0.0.0/8 is directly connected, lo.SMS, 00:58:00
  
```

```

VTEP2#show bgp l2vpn evpn sum
BGP router identifier 60.60.60.60, local AS number 500
BGP table version is 12
2 BGP AS-PATH entries
0 BGP community entries
  
```

Neighbor	AD	MACIP	V MCAST	AS	MsgRcv ESI	MsgSen PREFIX-ROUTE	TblVer	InQ	OutQ	Up/Down	State/
66.66.66.66			4	500	135	133	11	0	0	00:27:29	
12	0	2	1	0	9						
76.76.76.76			4	500	146	150	11	0	0	00:57:30	
9	2	4	1	1	1						

Total number of neighbors 2

Total number of Established sessions 2

```

VTEP2#show bgp l2vpn evpn
BGP table version is 12, local router ID is 60.60.60.60
Status codes: s suppressed, d damped, h history, * valid, > best, i - internal,
               l - labeled, S Stale
Origin codes: i - IGP, e - EGP, ? - incomplete
  
```

```

[EVPN route type]:[ESI]:[VNID]:[relevent route informantion]
1 - Ethernet Auto-discovery Route
2 - MAC/IP Route
3 - Inclusive Multicast Route
4 - Ethernet Segment Route
5 - Prefix Route
  
```

Network Encap	Next Hop	Metric	LocPrf	Weight	Path	Peer
RD[2.2.4.4:4]						
*>i [2]:[0]:[1067]:[48,3c2c:991c:dc7a]:[32,10.10.18.1]:[1067]	66.66.66.66	0	100	0	i 66.66.66.66	VXLAN
*>i [2]:[0]:[1067]:[48,a82b:b5cf:f806]:[32,10.10.18.2]:[1067]	66.66.66.66	0	100	0	i 66.66.66.66	VXLAN
*>i [3]:[1067]:[32,66.66.66.66]	66.66.66.66	0	100	0	i 66.66.66.66	VXLAN
RD[2.3.4.5:2] VRF[RED]:						
* i [1]:[00:00:00:44:44:55:55:00:00:00]:[1060]:[1060]	76.76.76.76	0	100	0	i 76.76.76.76	VXLAN

VXLAN-IRB-Inter-VRF Route Leaking

```
*>          60.60.60.60          0          100          32768 i -----
VXLAN
* i  [1]:[00:00:00:44:44:55:55:00:00:00]:[4294967295]:[0]
          76.76.76.76          0          100          0 i 76.76.76.76          VXLAN
* i  [2]:[00:00:00:44:44:55:55:00:00:00]:[1060]:[48,0000:0e8d:5619]:[0]:[1060]
          76.76.76.76          0          100          0 i 76.76.76.76          VXLAN
* i
[2]:[00:00:00:44:44:55:55:00:00:00]:[1060]:[48,0000:2222:1060]:[32,10.240.38.10]:[1060]
          76.76.76.76          0          100          0 i 76.76.76.76          VXLAN
*>          60.60.60.60          0          100          32768 i -----
VXLAN
* i  [2]:[0]:[1060]:[48,0000:2222:3333]:[32,10.240.38.1]:[1060]
          76.76.76.76          0          100          0 i 76.76.76.76          VXLAN
*>          60.60.60.60          0          100          32768 i -----
VXLAN
* i  [2]:[0]:[1060]:[48,0000:2222:3333]:[128,1601::1]:[1060]
          76.76.76.76          0          100          0 i 76.76.76.76          VXLAN
*>          60.60.60.60          0          100          32768 i -----
VXLAN
* i  [2]:[0]:[1067]:[48,3c2c:991c:dc7a]:[32,10.10.18.1]:[1067]
          66.66.66.66          0          100          0 i 66.66.66.66          VXLAN
* i  [2]:[0]:[1067]:[48,a82b:b5cf:f806]:[32,10.10.18.2]:[1067]
          66.66.66.66          0          100          0 i 66.66.66.66          VXLAN
*>  [3]:[1060]:[32,60.60.60.60]
          60.60.60.60          0          100          32768 i -----
VXLAN
* i  [3]:[1060]:[32,76.76.76.76]
          76.76.76.76          0          100          0 i 76.76.76.76          VXLAN
* i  [3]:[1067]:[32,66.66.66.66]
          66.66.66.66          0          100          0 i 66.66.66.66          VXLAN

RD[2.3.4.6:2]
*>i  [1]:[00:00:00:44:44:55:55:00:00:00]:[1060]:[1060]
          76.76.76.76          0          100          0 i 76.76.76.76          VXLAN
*>i  [2]:[00:00:00:44:44:55:55:00:00:00]:[1060]:[48,0000:0e8d:5619]:[0]:[1060]
          76.76.76.76          0          100          0 i 76.76.76.76          VXLAN
*>i
[2]:[00:00:00:44:44:55:55:00:00:00]:[1060]:[48,0000:2222:1060]:[32,10.240.38.10]:[1060]
          76.76.76.76          0          100          0 i 76.76.76.76          VXLAN
*>i  [2]:[0]:[1060]:[48,0000:2222:3333]:[32,10.240.38.1]:[1060]
          76.76.76.76          0          100          0 i 76.76.76.76          VXLAN
*>i  [2]:[0]:[1060]:[48,0000:2222:3333]:[128,1601::1]:[1060]
          76.76.76.76          0          100          0 i 76.76.76.76          VXLAN
*>i  [3]:[1060]:[32,76.76.76.76]
          76.76.76.76          0          100          0 i 76.76.76.76          VXLAN

RD[4.5.6.8:6]
*>i  [5]:[0]:[500]:[0]:[0.0.0.0]:[0.0.0.0]:[500]
          66.66.66.66          0          100          0 64603 i 66.66.66.66
VXLAN
*>i  [5]:[0]:[500]:[24]:[10.10.18.0]:[0.0.0.0]:[500]
          66.66.66.66          0          100          0 ? 66.66.66.66          VXLAN
```

```

*>i [5]:[0]:[500]:[24]:[10.10.20.0]:[0.0.0.0]:[500]
      66.66.66.66          0          100          0  64603 i  66.66.66.66
VXLAN

RD[60.60.60.60:1] VRF[evpn-gvrf-1]:
*> [1]:[00:00:00:44:44:55:55:00:00:00]:[4294967295]:[0]
      60.60.60.60          0          100          32768 i  -----
VXLAN
*> [4]:[00:00:00:44:44:55:55:00:00:00]:[32,60.60.60.60]
      60.60.60.60          0          100          32768 i  -----
VXLAN
* i [4]:[00:00:00:44:44:55:55:00:00:00]:[32,76.76.76.76]
      76.76.76.76          0          100          0  i  76.76.76.76  VXLAN

RD[66.66.66.66:1050]
*>i [5]:[0]:[500]:[0]:[0.0.0.0]:[0.0.0.0]:[500]
      66.66.66.66          0          100          0  64603 i  66.66.66.66
VXLAN
*>i [5]:[0]:[500]:[24]:[10.10.18.0]:[0.0.0.0]:[500]
      66.66.66.66          0          100          0  ?  66.66.66.66  VXLAN
*>i [5]:[0]:[500]:[24]:[10.10.20.0]:[0.0.0.0]:[500]
      66.66.66.66          0          100          0  64603 i  66.66.66.66
VXLAN

RD[66.66.66.66:1060]
*>i [5]:[0]:[500]:[0]:[0.0.0.0]:[0.0.0.0]:[500]
      66.66.66.66          0          100          0  64603 i  66.66.66.66
VXLAN
*>i [5]:[0]:[500]:[24]:[10.10.18.0]:[0.0.0.0]:[500]
      66.66.66.66          0          100          0  ?  66.66.66.66  VXLAN
*>i [5]:[0]:[500]:[24]:[10.10.20.0]:[0.0.0.0]:[500]
      66.66.66.66          0          100          0  64603 i  66.66.66.66
VXLAN

RD[76.76.76.76:1]
*>i [1]:[00:00:00:44:44:55:55:00:00:00]:[4294967295]:[0]
      76.76.76.76          0          100          0  i  76.76.76.76  VXLAN
*>i [4]:[00:00:00:44:44:55:55:00:00:00]:[32,76.76.76.76]
      76.76.76.76          0          100          0  i  76.76.76.76  VXLAN

RD[76.76.76.76:1040]
*>i [5]:[0]:[10402]:[24]:[10.240.38.0]:[0.0.0.0]:[10402]
      76.76.76.76          0          100          0  ?  76.76.76.76  VXLAN

```

```

Total number of prefixes 35
VTEP2#
VTEP22#show bgp l2vpn evpn prefix-route

```

```

RD[4.5.6.8:6]
ESI                               Eth-Tag Prefix-Length IP-Address          GW-
IPAddress                         L3VNID  Nexthop             Router-Mac

```

VXLAN-IRB-Inter-VRF Route Leaking

```

0          500  0          0.0.0.0          0.0.0.0
500      66.66.66.66  VXLAN  3c2c:991c:dc7a
0          500  24         10.10.18.0        0.0.0.0
500      66.66.66.66  VXLAN  3c2c:991c:dc7a
0          500  24         10.10.20.0        0.0.0.0
500      66.66.66.66  VXLAN  3c2c:991c:dc7a

```

RD[66.66.66.66:1050]

ESI IPAddress	Eth-Tag	Prefix-Length	L3VNID	IP-Address Nextthop	Encap	Router-Mac	GW-
0	500	0	0.0.0.0	0.0.0.0	0.0.0.0		
500	66.66.66.66	VXLAN	3c2c:991c:dc7a				
0	500	24	10.10.18.0	0.0.0.0	0.0.0.0		
500	66.66.66.66	VXLAN	3c2c:991c:dc7a				
0	500	24	10.10.20.0	0.0.0.0	0.0.0.0		
500	66.66.66.66	VXLAN	3c2c:991c:dc7a				

RD[66.66.66.66:1060]

ESI IPAddress	Eth-Tag	Prefix-Length	L3VNID	IP-Address Nextthop	Encap	Router-Mac	GW-
0	500	0	0.0.0.0	0.0.0.0	0.0.0.0		
500	66.66.66.66	VXLAN	3c2c:991c:dc7a				
0	500	24	10.10.18.0	0.0.0.0	0.0.0.0		
500	66.66.66.66	VXLAN	3c2c:991c:dc7a				
0	500	24	10.10.20.0	0.0.0.0	0.0.0.0		
500	66.66.66.66	VXLAN	3c2c:991c:dc7a				

RD[76.76.76.76:1040]

ESI IPAddress	Eth-Tag	Prefix-Length	L3VNID	IP-Address Nextthop	Encap	Router-Mac	GW-
0	10402	24	10.240.38.0	0.0.0.0	0.0.0.0		
10402	76.76.76.76	VXLAN	3c2c:99de:1e7a				

VTEP2#

VTEP1

=====

VTEP1#show nvo vxlan

VXLAN Information

=====

Codes: NW - Network Port
AC - Access Port
(u) - Untagged

VNID Src-Addr	VNI-Name Dst-Addr	VNI-Type	Type	Interface	ESI	VLAN	DF-Status
1050	----	--	AC	ce50	--- Single Homed Port ---	1050	----
10502	----	L3	NW	----	----	----	----
51.51.51.51	66.66.66.66						

Total number of entries are 2


```
VTEP1#show nvo vxlan tunnel
VXLAN Network tunnel Entries
Source          Destination      Status           Up/Down         Update
=====
51.51.51.51     66.66.66.66     Installed        00:28:13       00:28:13
```

Total number of entries are 1

```
VTEP1#show ip route vrf all
Codes: K - kernel, C - connected, S - static, R - RIP, B - BGP
       O - OSPF, IA - OSPF inter area
       N1 - OSPF NSSA external type 1, N2 - OSPF NSSA external type 2
       E1 - OSPF external type 1, E2 - OSPF external type 2
       i - IS-IS, L1 - IS-IS level-1, L2 - IS-IS level-2,
       ia - IS-IS inter area, E - EVPN,
       v - vrf leaked
       * - candidate default
```

```
IP Route Table for VRF "default"
C       10.10.10.0/31 is directly connected, xe40, 00:59:46
O       10.10.12.0/31 [110/2] via 10.10.10.0, xe40, 00:59:01
O       10.10.14.0/31 [110/2] via 10.10.10.0, xe40, 00:29:45
O       10.10.24.0/31 [110/2] via 10.10.10.0, xe40, 00:59:01
C       51.51.51.51/32 is directly connected, lo, 00:59:47
O       60.60.60.60/32 [110/3] via 10.10.10.0, xe40, 00:59:01
O       66.66.66.66/32 [110/3] via 10.10.10.0, xe40, 00:29:00
O       76.76.76.76/32 [110/3] via 10.10.10.0, xe40, 00:59:01
C       127.0.0.0/8 is directly connected, lo, 00:59:49
```

```
IP Route Table for VRF "management"
C       10.12.20.0/24 is directly connected, eth0, 00:59:22
C       127.0.0.0/8 is directly connected, lo.management, 00:59:49
```

```
IP Route Table for VRF "FAX"
Gateway of last resort is 66.66.66.66 to network 0.0.0.0
```

```
B*      0.0.0.0/0 [200/0] via 66.66.66.66 (recursive is directly connected,
tunvxlan2), 00:27:47
B       10.10.18.0/24 [200/0] via 66.66.66.66 (recursive is directly connected,
tunvxlan2), 00:28:55
B       10.10.20.0/24 [200/0] via 66.66.66.66 (recursive is directly connected,
tunvxlan2), 00:10:17
C       10.12.32.0/24 is directly connected, irb1050, 00:59:47
B       66.66.66.66/32 [0/0] is directly connected, tunvxlan2, 00:28:55
C       127.0.0.0/8 is directly connected, lo.FAX, 00:59:48
```

```
VTEP1# show bgp l2vpn evpn summary
BGP router identifier 51.51.51.51, local AS number 500
BGP table version is 9
2 BGP AS-PATH entries
0 BGP community entries
```

```
Neighbor      V  AS  MsgRcv  MsgSen  TblVer  InQ  OutQ  Up/Down  State/
PfxRcd      AD  MACIP  MCAST  ESI  PREFIX-ROUTE
```

VXLAN-IRB-Inter-VRF Route Leaking

```
66.66.66.66      4  500 138      132      8      0      0 00:29:07
12      0      2      1      0      9
```

Total number of neighbors 1

Total number of Established sessions 1

VTEP1# show bgp l2vpn evpn

BGP table version is 9, local router ID is 51.51.51.51

Status codes: s suppressed, d damped, h history, * valid, > best, i - internal,
l - labeled, S Stale

Origin codes: i - IGP, e - EGP, ? - incomplete

[EVPN route type]:[ESI]:[VNID]:[relevent route informantion]

1 - Ethernet Auto-discovery Route

2 - MAC/IP Route

3 - Inclusive Multicast Route

4 - Ethernet Segment Route

5 - Prefix Route

Network Encap	Next Hop	Metric	LocPrf	Weight	Path	Peer
RD[2.2.4.4:4]						
*>i [2]:[0]:[1067]:[48,3c2c:991c:dc7a]:[32,10.10.18.1]:[1067]	66.66.66.66	0	100	0	i 66.66.66.66	VXLAN
*>i [2]:[0]:[1067]:[48,a82b:b5cf:f806]:[32,10.10.18.2]:[1067]	66.66.66.66	0	100	0	i 66.66.66.66	VXLAN
*>i [3]:[1067]:[32,66.66.66.66]	66.66.66.66	0	100	0	i 66.66.66.66	VXLAN

RD[2.3.4.5:1] VRF[RED]:

```
*> [2]:[0]:[1050]:[48,0000:0e8d:561a]:[0]:[1050]
      51.51.51.51      0      100      32768 i -----
VXLAN
*> [2]:[0]:[1050]:[48,0000:0e8d:561a]:[32,10.12.32.11]:[1050]
      51.51.51.51      0      100      32768 i -----
VXLAN
*> [2]:[0]:[1050]:[48,0000:3333:1050]:[32,10.12.32.10]:[1050]
      51.51.51.51      0      100      32768 i -----
VXLAN
*> [2]:[0]:[1050]:[48,3c2c:99d6:167a]:[32,10.12.32.1]:[1050]
      51.51.51.51      0      100      32768 i -----
VXLAN
*> [2]:[0]:[1050]:[48,3c2c:99d6:167a]:[128,2401::1]:[1050]
      51.51.51.51      0      100      32768 i -----
VXLAN
* i [2]:[0]:[1067]:[48,3c2c:991c:dc7a]:[32,10.10.18.1]:[1067]
      66.66.66.66      0      100      0      i 66.66.66.66      VXLAN
* i [2]:[0]:[1067]:[48,a82b:b5cf:f806]:[32,10.10.18.2]:[1067]
      66.66.66.66      0      100      0      i 66.66.66.66      VXLAN
*> [3]:[1050]:[32,51.51.51.51]
```

```

                    51.51.51.51          0          100          32768 i -----
VXLAN
* i [3]:[1067]:[32,66.66.66.66]
                    66.66.66.66          0          100          0 i 66.66.66.66 VXLAN

RD[4.5.6.8:6]
*>i [5]:[0]:[500]:[0]:[0.0.0.0]:[0.0.0.0]:[500]
                    66.66.66.66          0          100          0 64603 i 66.66.66.66
VXLAN
*>i [5]:[0]:[500]:[24]:[10.10.18.0]:[0.0.0.0]:[500]
                    66.66.66.66          0          100          0 ? 66.66.66.66 VXLAN
*>i [5]:[0]:[500]:[24]:[10.10.20.0]:[0.0.0.0]:[500]
                    66.66.66.66          0          100          0 64603 i 66.66.66.66
VXLAN

RD[66.66.66.66:1050]
*>i [5]:[0]:[500]:[0]:[0.0.0.0]:[0.0.0.0]:[500]
                    66.66.66.66          0          100          0 64603 i 66.66.66.66
VXLAN
*>i [5]:[0]:[500]:[24]:[10.10.18.0]:[0.0.0.0]:[500]
                    66.66.66.66          0          100          0 ? 66.66.66.66 VXLAN
*>i [5]:[0]:[500]:[24]:[10.10.20.0]:[0.0.0.0]:[500]
                    66.66.66.66          0          100          0 64603 i 66.66.66.66
VXLAN

RD[66.66.66.66:1060]
*>i [5]:[0]:[500]:[0]:[0.0.0.0]:[0.0.0.0]:[500]
                    66.66.66.66          0          100          0 64603 i 66.66.66.66
VXLAN
*>i [5]:[0]:[500]:[24]:[10.10.18.0]:[0.0.0.0]:[500]
                    66.66.66.66          0          100          0 ? 66.66.66.66 VXLAN
*>i [5]:[0]:[500]:[24]:[10.10.20.0]:[0.0.0.0]:[500]
                    66.66.66.66          0          100          0 64603 i 66.66.66.66
VXLAN

```

Total number of prefixes 21
VTEP1#

VTEP1#show ip route vrf FAX

```

Codes: K - kernel, C - connected, S - static, R - RIP, B - BGP
       O - OSPF, IA - OSPF inter area
       N1 - OSPF NSSA external type 1, N2 - OSPF NSSA external type 2
       E1 - OSPF external type 1, E2 - OSPF external type 2
       i - IS-IS, L1 - IS-IS level-1, L2 - IS-IS level-2,
       ia - IS-IS inter area, E - EVPN,
       v - vrf leaked
       * - candidate default

```

IP Route Table for VRF "FAX"

Gateway of last resort is 66.66.66.66 to network 0.0.0.0

VXLAN-IRB-Inter-VRF Route Leaking

```
B*      0.0.0.0/0 [200/0] via 66.66.66.66 (recursive is directly connected,
tunvxlan2), 00:29:26
B       10.10.18.0/24 [200/0] via 66.66.66.66 (recursive is directly connected,
tunvxlan2), 00:30:34
B       10.10.20.0/24 [200/0] via 66.66.66.66 (recursive is directly connected,
tunvxlan2), 00:11:56
C       10.12.32.0/24 is directly connected, irb1050, 01:01:26
B       66.66.66.66/32 [0/0] is directly connected, tunvxlan2, 00:30:34
C       127.0.0.0/8 is directly connected, lo.FAX, 01:01:27
```

```
VTEP1#show bgp l2vpn evpn prefix-route
```

```
RD[4.5.6.8:6]
```

ESI IPAddress	Eth-Tag	Prefix-Length L3VNID	IP-Address Nexthop	Encap	Router-Mac	GW-
0	500	0	0.0.0.0	0.0.0.0		
500	66.66.66.66	VXLAN	3c2c:991c:dc7a			
0	500	24	10.10.18.0	0.0.0.0		
500	66.66.66.66	VXLAN	3c2c:991c:dc7a			
0	500	24	10.10.20.0	0.0.0.0		
500	66.66.66.66	VXLAN	3c2c:991c:dc7a			

```
RD[66.66.66.66:1050]
```

ESI IPAddress	Eth-Tag	Prefix-Length L3VNID	IP-Address Nexthop	Encap	Router-Mac	GW-
0	500	0	0.0.0.0	0.0.0.0		
500	66.66.66.66	VXLAN	3c2c:991c:dc7a			
0	500	24	10.10.18.0	0.0.0.0		
500	66.66.66.66	VXLAN	3c2c:991c:dc7a			
0	500	24	10.10.20.0	0.0.0.0		
500	66.66.66.66	VXLAN	3c2c:991c:dc7a			

```
RD[66.66.66.66:1060]
```

ESI IPAddress	Eth-Tag	Prefix-Length L3VNID	IP-Address Nexthop	Encap	Router-Mac	GW-
0	500	0	0.0.0.0	0.0.0.0		
500	66.66.66.66	VXLAN	3c2c:991c:dc7a			
0	500	24	10.10.18.0	0.0.0.0		
500	66.66.66.66	VXLAN	3c2c:991c:dc7a			
0	500	24	10.10.20.0	0.0.0.0		
500	66.66.66.66	VXLAN	3c2c:991c:dc7a			

Ping to 10.10.20.1 network which is advertised by Firewall from VTEP1 FAX vrf

```
VTEP1#      ping 10.10.20.1 vrf FAX
Press CTRL+C to exit
PING 10.10.20.1 (10.10.20.1) 56(84) bytes of data.
64 bytes from 10.10.20.1: icmp_seq=1 ttl=63 time=0.446 ms
64 bytes from 10.10.20.1: icmp_seq=2 ttl=63 time=0.413 ms
64 bytes from 10.10.20.1: icmp_seq=3 ttl=63 time=0.373 ms

--- 10.10.20.1 ping statistics ---
3 packets transmitted, 3 received, 0% packet loss, time 73ms
```

```
rtt min/avg/max/mdev = 0.373/0.410/0.446/0.037 ms  
VTEP1#
```


CHAPTER 13 VXLAN-EVPN with IRB QoS

Overview

An EVPN-based Integrated Routing and Bridging solution used for forwarding of intra-subnets and inter-subnets traffic. Here QoS is applied on IRB solution for L3 packets.

VXLAN quality of service (QoS) provides differentiated service in VXLAN applications. A device implements mapping between QoS priorities in original packets, internal priorities (local precedence assigned by the device to differentiate service classes of packets), and priorities of encapsulated packets. In this way, the switch provides the differentiated QoS service based on original packets.

Topology

The procedures in this section use the topology in [Figure 13-14](#)

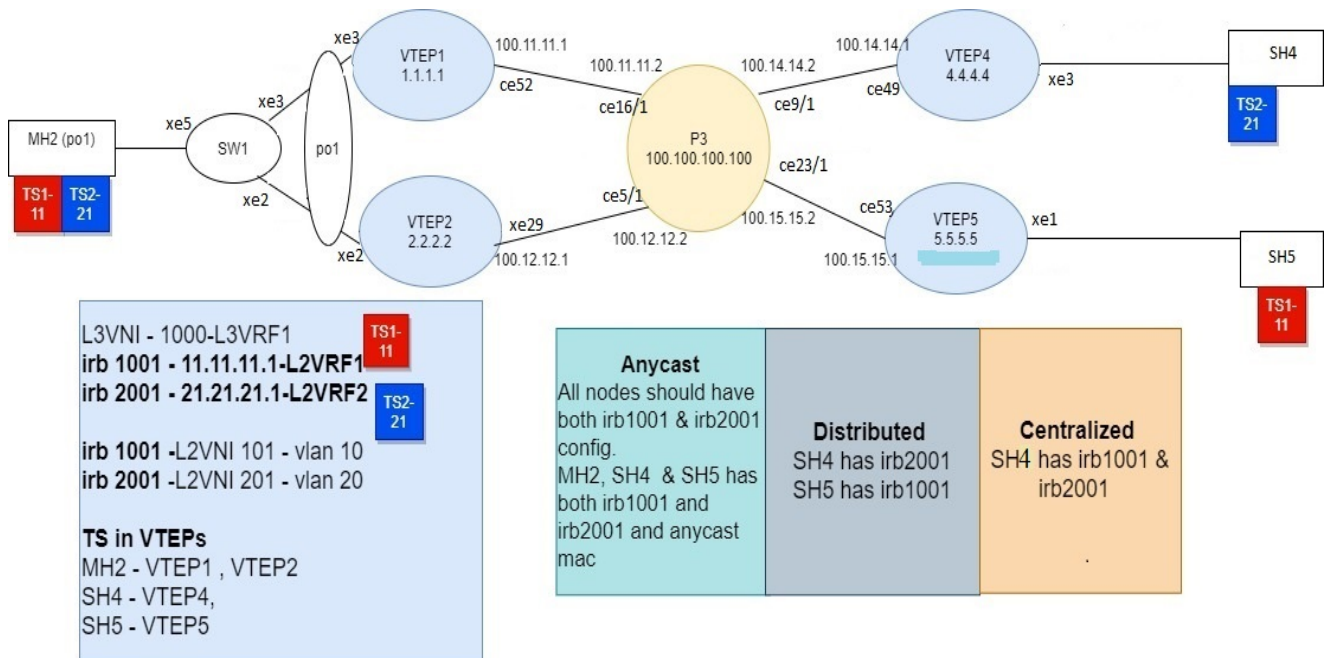


Figure 13-14: VxLAN_EVPN_IRB

Note: In the above topology TS1, TS2 are the tenant systems. The blue and red color denotes different subnets in the Tenant systems.

Base Configuration - L2 VXLAN

VTEP1

(Multi-homed group1) - Part of both Multi-homed with po1(MH2).

Generic configuration:

#configure terminal	Enter Configure mode.
(config)#evpn vxlan multihoming enable	Enable Multihoming, save configs and reboot the board for multihoming to be effective
(config)#qos enable	Enabling qos

Interface and loopback configuration:

(config)#interface po1	Enter Interface mode for po1 (MH2)
(config-if)#switchport	Make it L2 interface
(config-if)# evpn multi-homed system-mac 0000.0000.2222	Configure system mac as ESI value for Lag (po1) interface. VTEP1 and VTEP2 should have same ESI value
(config-if)#exit	Exit Interface mode and return to Configure mode.
(config)#interface xe3	Enter Interface mode for xe3
(config-if)#channel-group 1 mode active	Make it member port of po1
(config-if)#exit	Exit Interface mode and return to Configure mode.
(config)#interface lo	Enter Interface mode for lo
(config-if)#ip address 1.1.1.1/32 secondary	Configure loopback ip address as 1.1.1.1 for VTEP1
(config-if)#exit	Exit Interface mode and return to Configure mode.
(config)#interface ce52	Enter Interface mode for network side port
(config-if)#ip address 100.11.11.1/24	Configure ip address as 100.11.11.1 on network side of Spine-P3
(config-if)#exit	Exit Interface mode and return to Configure mode.

OSPF configuration:

(config)#router ospf 100	Enter into router OSPF mode
(config-router)#ospf router-id 1.1.1.1	Configure router-id as 1.1.1.1 (lo ip address)
(config-router)#network 1.1.1.1/32 area 0.0.0.0	Add 1.1.1.1 (lo ip address) network into area 0
(config-router)#network 100.11.11.0/24 area 0.0.0.0	Add 100.11.11.0(Spine-P3) network into area 0
(config-router)#bfd all-interfaces	Enabling bfd on all ospf interface for fast convergence
(config-if)#exit	Exit Interface mode and return to Configure mode.

BGP configuration:

(config)#router bgp 5000	Enter into Router BGP mode
(config-router)#bgp router-id 1.1.1.1	Configure router-id as 1.1.1.1 (lo ip address)
(config-router)#neighbor 2.2.2.2 remote-as 5000	Specify a VTEP2 loopback ip address and remote-as defined
(config-router)#neighbor 2.2.2.2 update-source lo	Configure update as loopback for VTEP2

(config-router)#neighbor 2.2.2.2 advertisement-interval 0	Configure advertisement-interval as 0 for fast convergence for VTEP2
(config-router)#neighbor 4.4.4.4 remote-as 5000	Specify a VTEP4 loopback ip address and remote-as defined
(config-router)#neighbor 4.4.4.4 update-source lo	Configure update as loopback for VTEP4
(config-router)#neighbor 4.4.4.4 advertisement-interval 0	Configure advertisement-interval as 0 for fast convergence for VTEP4
(config-router)#neighbor 5.5.5.5 remote-as 5000	Specify a VTEP5 loopback ip address and remote-as defined
(config-router)#neighbor 5.5.5.5 update-source lo	Configure update as loopback for VTEP5
(config-router)#neighbor 5.5.5.5 advertisement-interval 0	Configure advertisement-interval as 0 for fast convergence for VTEP5
(config-router)#address-family l2vpn evpn	Enter into l2vpn EVPN address family mode
(config-router-af)#neighbor 2.2.2.2 activate	Activate 2.2.2.2(VTEP2) into l2vpn evpn address family mode
(config-router-af)#neighbor 4.4.4.4 activate	Activate 3.3.3.3(VTEP4) into l2vpn evpn address family mode
(config-router-af)#neighbor 5.5.5.5 activate	Activate 5.5.5.5(VTEP5) into l2vpn evpn address family mode
(config-router-af)#exit-address-family	Exit from l2vpn address family mode
(config-router)#exit	Exit from Router BGP mode and enter into config mode

L2 MAC VRF Configuration:

(config)#mac vrf L2VRF1	Create mac routing/forwarding instance with L2VRF1 name and enter into vrf mode
(config-vrf)#rd 1.1.1.1:11	Assign RD value
(config-vrf)#description MAC VRF RED	Give description to L2VRF1 as RED
(config-vrf)#route-target both 9.9.9.9:100	Assign route-target value for same for import and export. Should be same on all node for L2VRF1
(config-vrf)#exit	Exit from vrf mode
(config)#mac vrf L2VRF2	Create mac routing/forwarding instance with L2VRF2 name and enter into vrf mode
(config-vrf)#rd 1.1.1.1:21	Assign RD value
(config-vrf)#route-target both 90.90.90.90:100	Assign route-target value for same for import and export
(config-vrf)#description MAC VRF BLUE	Give description to L2VRF2 as BLUE
(config-vrf)#exit	Exit from vrf mode

L2 VXLAN configuration:

(config)#nvo vxlan enable	Enable VXLAN
(config)#evpn esi hold-time 90	Configure ESI hold time to allow tunnel to come up at the time of vxlan initialization before making the ESI up. It should be same on both VTEP1 and VTEP2
(config)#nvo vxlan vtep-ip-global 1.1.1.1	Configure Source vtep-ip-global configuration - Use loopback ip address

VXLAN-EVPN with IRB QoS

(config)#nvo vxlan id 101 ingress-replication inner-vid-disabled	Configure VXLAN Network identifier with/without inner-vid-disabled configure and enter into VXLAN tenant mode
(config-nvo)#vxlan host-reachability-protocol evpn-bgp L2VRF1	Assign vrf for evpn-bgp to carry EVPN route
(config-nvo)# vni-name VNI-101	Configure VNI name as VNI-101
(config-nvo)#exit	Exit from VXLAN tenant mode and enter into configuration mode.
(config)#nvo vxlan id 201 ingress-replication inner-vid-disabled	Configure VXLAN Network identifier with/without inner-vid-disabled configure and enter into VXLAN tenant mode
(config-nvo)#vxlan host-reachability-protocol evpn-bgp L2VRF2	Assign vrf for evpn-bgp to carry EVPN route
(config-nvo)# vni-name VNI-201	Configure VNI name as VNI-201
(config-nvo)#exit	Exit from VXLAN tenant mode and enter into configuration mode.
(config)#nvo vxlan access-if port-vlan po1 10	Enable port-vlan mapping i.e. access port to outer-vlan (SVLAN) - Multihomed access port
(config-nvo-acc-if)#map vnid 101	Map VXLAN Identified to access-port for VXLAN
(config-nvo-acc-if)# mac 0000.2222.1010 ip 11.11.11.51	Configure static mac-ip
(config-nvo-acc-if)#exit	Exit from VXLAN access-interface mode and enter into configuration mode
(config)#nvo vxlan access-if port-vlan po1 20	Enable port-vlan mapping i.e. access port to outer-vlan (SVLAN) - Multihomed access port
(config-nvo-acc-if)#map vnid 201	Map VXLAN Identified to access-port for VXLAN
(config-nvo-acc-if)# mac 0000.2222.1020 ip 21.21.21.51	Configure static mac-ip
(config-nvo-acc-if)#commit	Commit the candidate configuration to the running configuration
(config-nvo-acc-if)#exit	Exit from VXLAN access-interface mode and enter into configuration mode
(config)#exit	Exit from configuration mode

VTEP2

(Multi-homed group1) - Part of both Multi-homed with po1(MH1).

Hardware profile and generic configuration:

#configure terminal	Enter Configure mode.
(config)#evpn vxlan multihoming enable	Enable Multihoming, save configs and reboot the board for multihoming to be effective
(config)#qos enable	Enabling qos

Interface and loopback configuration:

(config)#interface po1	Enter Interface mode for po1 (MH2)
(config-if)#switchport	Make it L2 interface
(config-if)# evpn multi-homed system-mac 0000.0000.2222	Configure system mac as ESI value for Lag (po1) interface. VTEP1 and VTEP2 should have same ESI value

(config-if)#exit	Exit Interface mode and return to Configure mode.
(config)#interface xe2	Enter Interface mode for xe2
(config-if)#channel-group 1 mode active	Make it member port of po1
(config-if)#exit	Exit Interface mode and return to Configure mode.
(config)#interface lo	Enter Interface mode for lo
(config-if)#ip address 2.2.2.2/32 secondary	Configure loopback ip address as 2.2.2.2 for VTEP2
(config-if)#exit	Exit Interface mode and return to Configure mode.
(config) interface xe29	Enter into network side interface
(config-if)#ip address 100.12.12.1/24	Configure ip address as 100.12.12.1 on network side of Spine-P3
(config-if)#exit	Exit Interface mode and return to Configure mode.

OSPF configuration:

(config)#router ospf 100	Enter into router OSPF mode
(config-router)#ospf router-id 2.2.2.2	Configure router-id as 2.2.2.2 (lo ip address)
(config-router)#network 2.2.2.2/32 area 0.0.0.0	Add 2.2.2.2 (lo ip address) network into area 0
(config-router)#network 100.12.12.0/24 area 0.0.0.0	Add 100.12.12.0(Spine-P3) network into area 0
(config-router)#bfd all-interfaces	Enabling bfd on all ospf interface for fast convergence
(config-if)#exit	Exit Interface mode and return to Configure mode.

BGP configuration:

(config)#router bgp 5000	Enter into Router BGP mode
(config-router)#bgp router-id 2.2.2.2	Configure router-id as 2.2.2.2 (lo ip address)
(config-router)#neighbor 1.1.1.1 remote-as 5000	Specify a VTEP1 loopback ip address and remote-as defined
(config-router)#neighbor 1.1.1.1 update-source lo	Configure update as loopback for VTEP1
(config-router)#neighbor 1.1.1.1 advertisement-interval 0	Configure advertisement-interval as 0 for fast convergence for VTEP1
(config-router)#neighbor 4.4.4.4 remote-as 5000	Specify a VTEP4 loopback ip address and remote-as defined
(config-router)#neighbor 4.4.4.4 update-source lo	Configure update as loopback for VTEP4
(config-router)#neighbor 4.4.4.4 advertisement-interval 0	Configure advertisement-interval as 0 for fast convergence for VTEP4
(config-router)#neighbor 5.5.5.5 remote-as 5000	Specify a VTEP5 loopback ip address and remote-as defined
(config-router)#neighbor 5.5.5.5 update-source lo	Configure update as loopback for VTEP5
(config-router)#neighbor 5.5.5.5 advertisement-interval 0	Configure advertisement-interval as 0 for fast convergence for VTEP5
(config-router)#address-family l2vpn evpn	Enter into l2vpn EVPN address family mode

VXLAN-EVPN with IRB QoS

(config-router-af)#neighbor 1.1.1.1 activate	Activate 1.1.1.1(VTEP1) into l2vpn evpn address family mode
(config-router-af)#neighbor 4.4.4.4 activate	Activate 4.4.4.4(VTEP4) into l2vpn evpn address family mode
(config-router-af)#neighbor 5.5.5.5 activate	Activate 5.5.5.5(VTEP5) into l2vpn evpn address family mode
(config-router-af)#exit-address-family	Exit from l2vpn address family mode
(config-router)#exit	Exit from Router BGP mode and enter into config mode

VRF Configuration:

(config)#mac vrf L2VRF1	Create mac routing/forwarding instance with L2VRF1 name and enter into vrf mode
(config-vrf)#rd 2.2.2.2:11	Assign RD value
(config-vrf)#description MAC VRF RED	Give description to L2VRF1 as RED
(config-vrf)#route-target both 9.9.9.9:100	Assign route-target value for same for import and export. Should be same on all node for L2VRF1
(config-vrf)#exit	Exit from vrf mode
(config)#mac vrf L2VRF2	Create mac routing/forwarding instance with L2VRF2 name and enter into vrf mode
(config-vrf)#rd 2.2.2.2:21	Assign RD value
(config-vrf)#route-target both 90.90.90.90:100	Assign route-target value for same for import and export
(config-vrf)#description MAC VRF BLUE	Give description to L2VRF2 as BLUE
(config-vrf)#exit	Exit from vrf mode

VXLAN configuration:

(config)#nvo vxlan enable	Enable VXLAN
(config)#evpn esi hold-time 90	Configure ESI hold time to allow tunnel to come up at the time of vxlan initialization before making the ESI up.It should be same on both VTEP1 and VTEP2
(config)#nvo vxlan vtep-ip-global 2.2.2.2	Configure Source vtep-ip-global configuration - Use loopback ip address
(config)#nvo vxlan id 101 ingress-replication inner-vid-disabled	Configure VXLAN Network identifier with/without inner-vid-disabled configure and enter into VXLAN tenant mode
(config-nvo)#vxlan host-reachability-protocol evpn-bgp L2VRF1	Assign vrf for evpn-bgp to carry EVPN route
(config-nvo)# vni-name VNI-101	Configure VNI name as VNI-101
(config-nvo)#exit	Exit from VXLAN tenant mode and enter into configuration mode.
(config)#nvo vxlan id 201 ingress-replication inner-vid-disabled	Configure VXLAN Network identifier with/without inner-vid-disabled configure and enter into VXLAN tenant mode
(config-nvo)#vxlan host-reachability-protocol evpn-bgp L2VRF2	Assign vrf for evpn-bgp to carry EVPN route
(config-nvo)# vni-name VNI-201	Configure VNI name as VNI-201
(config-nvo)#exit	Exit from VXLAN tenant mode and enter into configuration mode.
(config)#nvo vxlan access-if port-vlan po1 10	Enable port-vlan mapping i.e. access port to outer-vlan (SVLAN) - Multihomed access port

(config-nvo-acc-if)#map vnid 101	Map VXLAN Identified to access-port for VXLAN
(config-nvo-acc-if)# mac 0000.2222.1010 ip 11.11.11.51	Configure static mac-ip
(config-nvo-acc-if)#exit	Exit from VXLAN access-interface mode and enter into configuration mode
(config)#nvo vxlan access-if port-vlan po1 20	Enable port-vlan mapping i.e. access port to outer-vlan (SVLAN) - Multihomed access port
(config-nvo-acc-if)#map vnid 201	Map VXLAN Identified to access-port for VXLAN
(config-nvo-acc-if)# mac 0000.2222.1020 ip 21.21.21.51	Configure static mac-ip
(config-nvo-acc-if)#commit	Commit the candidate configuration to the running configuration
(config-nvo-acc-if)#exit	Exit from VXLAN access-interface mode and enter into configuration mode
(config)#exit	Exit from configuration mode

VTEP4

Single Home -SH5.

Hardware profile and generic configuration:

#configure terminal	Enter Configure mode.
(config)#evpn vxlan multihoming enable	Enable Multihoming, save configs and reboot the board for multihoming to be effective
(config)#qos enable	Enabling qos

Interface and loopback configuration:

(config)#interface xe3	Enter Interface mode for xe3
(config-if)#switchport	Make it L2 interface
(config-if)#exit	Exit Interface mode and return to Configure mode.
(config)#interface lo	Enter Interface mode for lo
(config-if)#ip address 4.4.4.4/32 secondary	Configure loopback ip address as 4.4.4.4 for VTEP4
(config-if)#exit	Exit Interface mode and return to Configure mode.
(config) interface ce49	Enter interface towards network side
(config-if)#ip address 100.14.14.1/24	Configure ip address as 100.14.14.1 on network side of Spine-P3
(config-if)#exit	Exit Interface mode and return to Configure mode.

OSPF configuration:

(config)#router ospf 100	Enter into router OSPF mode
(config-router)#ospf router-id 4.4.4.4	Configure router-id as 4.4.4.4 (lo ip address)
(config-router)#network 4.4.4.4/32 area 0.0.0.0	Add 4.4.4.4 (lo ip address) network into area 0

(config-router)#network 100.14.14.0/24 area 0.0.0.0	Add 100.14.14.0(Spine-P3) network into area 0
(config-router)#bfd all-interfaces	Enabling bfd on all ospf interface for fast convergence
(config-if)#exit	Exit Interface mode and return to Configure mode.

BGP configuration:

(config)#router bgp 5000	Enter into Router BGP mode
(config-router)#bgp router-id 4.4.4.4	Configure router-id as 4.4.4.4 (lo ip address)
(config-router)#neighbor 1.1.1.1 remote-as 5000	Specify a VTEP1 loopback ip address and remote-as defined
(config-router)#neighbor 1.1.1.1 update-source lo	Configure update as loopback for VTEP1
(config-router)#neighbor 1.1.1.1 advertisement-interval 0	Configure advertisement-interval as 0 for fast convergence for VTEP1
(config-router)#neighbor 2.2.2.2 remote-as 5000	Specify a VTEP2 loopback ip address and remote-as defined
(config-router)#neighbor 2.2.2.2 update-source lo	Configure update as loopback for VTEP2
(config-router)#neighbor 2.2.2.2 advertisement-interval 0	Configure advertisement-interval as 0 for fast convergence for VTEP2
(config-router)#neighbor 5.5.5.5 remote-as 5000	Specify a VTEP5 loopback ip address and remote-as defined
(config-router)#neighbor 5.5.5.5 update-source lo	Configure update as loopback for VTEP5
(config-router)#neighbor 5.5.5.5 advertisement-interval 0	Configure advertisement-interval as 0 for fast convergence for VTEP5
(config-router)#address-family l2vpn evpn	Enter into l2vpn EVPN address family mode
(config-router-af)#neighbor 1.1.1.1 activate	Activate 1.1.1.1(VTEP1) into l2vpn evpn address family mode
(config-router-af)#neighbor 2.2.2.2 activate	Activate 2.2.2.2(VTEP2) into l2vpn evpn address family mode
(config-router-af)#neighbor 5.5.5.5 activate	Activate 5.5.5.5(VTEP5) into l2vpn evpn address family mode
(config-router-af)#exit-address-family	Exit from l2vpn address family mode
(config-router)#exit	Exit from Router BGP mode and enter into config mode

VRF Configuration:

(config)#mac vrf L2VRF1	Create mac routing/forwarding instance with L2VRF1 name and enter into vrf mode
(config-vrf)#rd 4.4.4.4:11	Assign RD value
(config-vrf)#description MAC VRF RED	Give description to L2VRF1 as RED
(config-vrf)#route-target both 9.9.9.9:100	Assign route-target value for same for import and export. Should be same on all node for L2VRF1
(config-vrf)#exit	Exit from vrf mode
(config)#mac vrf L2VRF2	Create mac routing/forwarding instance with L2VRF2 name and enter into vrf mode
(config-vrf)#rd 4.4.4.4:21	Assign RD value

(config-vrf)#route-target both 90.90.90.90:100	Assign route-target value for same for import and export
(config-vrf)#description MAC VRF BLUE	Give description to L2VRF2 as BLUE
(config-vrf)#exit	Exit from vrf mode

VXLAN configuration:

(config)#nvo vxlan enable	Enable VXLAN
(config)#nvo vxlan vtep-ip-global 4.4.4.4	Configure Source vtep-ip-global configuration. Use loopback ip address
(config)#nvo vxlan id 101 ingress-replication inner-vid-disabled	Configure VXLAN Network identifier with/without inner-vid-disabled configure and enter into VXLAN tenant mode
(config-nvo)#vxlan host-reachability-protocol evpn-bgp L2VRF1	Assign vrf for evpn-bgp to carry EVPN route
(config-nvo)# vni-name VNI-101	Configure VNI name as VNI-101
(config-nvo)#exit	Exit from VXLAN tenant mode and enter into configuration mode.
(config)#nvo vxlan id 201 ingress-replication inner-vid-disabled	Configure VXLAN Network identifier with/without inner-vid-disabled configure and enter into VXLAN tenant mode
(config-nvo)#vxlan host-reachability-protocol evpn-bgp L2VRF2	Assign vrf for evpn-bgp to carry EVPN route
(config-nvo)# vni-name VNI-201	Configure VNI name as VNI-201
(config-nvo)#exit	Exit from VXLAN tenant mode and enter into configuration mode.
(config)# nvo vxlan access-if port-vlan xe3 20	Enable port-vlan mapping i.e. access port to outer-vlan (SVLAN)
(config-nvo-acc-if)#map vnid 201	Map VXLAN Identified to access-port for VXLAN
(config-nvo-acc-if)# mac 0000.5555.1020 ip 21.21.21.101	Configure static mac-ip
(config-nvo-acc-if)#commit	Commit the candidate configuration to the running configuration
(config-nvo-acc-if)#exit	Exit from VXLAN access-interface mode and enter into configuration mode
(config)#exit	Exit from configuration mode

VTEP5

Single Home -SH3

Hardware profile and generic configuration:

#configure terminal	Enter Configure mode.
(config)#evpn vxlan multihoming enable	Enable Multihoming, save configs and reboot the board for multihoming to be effective
(config)#qos enable	Enabling qos

Interface and loopback configuration:

(config)#interface xe1	Enter Interface mode for xe1 (SH5)
(config-if)#switchport	Make it L2 interface
(config-if)#exit	Exit Interface mode and return to Configure mode.
(config)#interface lo	Enter Interface mode for lo
(config-if)#ip address 5.5.5.5/32 secondary	Configure loopback ip address as 5.5.5.5 for VTEP5
(config-if)#exit	Exit Interface mode and return to Configure mode.
(config) interface ce53	Enter interface mode
(config-if)#ip address 100.15.15.1/24	Configure ip address as 100.15.15.1 on network side of Spine-P3
(config-if)#exit	Exit Interface mode and return to Configure mode.

OSPF configuration:

(config)#router ospf 100	Enter into router OSPF mode
(config-router)#ospf router-id 5.5.5.5	Configure router-id as 5.5.5.5 (lo ip address)
(config-router)#network 5.5.5.5/32 area 0.0.0.0	Add 5.5.5.5 (lo ip address) network into area 0
(config-router)#network 100.15.15.0/24 area 0.0.0.0	Add 100.15.15.0(Spine-P3) network into area 0
(config-router)#bfd all-interfaces	Enabling bfd on all ospf interface for fast convergence
(config-if)#exit	Exit Interface mode and return to Configure mode.

BGP configuration:

(config)#router bgp 5000	Enter into Router BGP mode
(config-router)#bgp router-id 5.5.5.5	Configure router-id as 5.5.5.5(lo ip address)
(config-router)#neighbor 1.1.1.1 remote-as 5000	Specify a VTEP1 loopback ip address and remote-as defined
(config-router)#neighbor 1.1.1.1 update-source lo	Configure update as loopback for VTEP1
(config-router)#neighbor 1.1.1.1 advertisement-interval 0	Configure advertisement-interval as 0 for fast convergence for VTEP1
(config-router)#neighbor 2.2.2.2 remote-as 5000	Specify a VTEP2 loopback ip address and remote-as defined
(config-router)#neighbor 2.2.2.2 update-source lo	Configure update as loopback for VTEP2
(config-router)#neighbor 2.2.2.2 advertisement-interval 0	Configure advertisement-interval as 0 for fast convergence for VTEP2
(config-router)#neighbor 4.4.4.4 remote-as 5000	Specify a VTEP4 loopback ip address and remote-as defined
(config-router)#neighbor 4.4.4.4 update-source lo	Configure update as loopback for VTEP4
(config-router)#neighbor 4.4.4.4 advertisement-interval 0	Configure advertisement-interval as 0 for fast convergence for VTEP4

(config-router)#address-family l2vpn evpn	Enter into l2vpn EVPN address family mode
(config-router-af)#neighbor 1.1.1.1 activate	Activate 1.1.1.1(VTEP1) into l2vpn evpn address family mode
(config-router-af)#neighbor 2.2.2.2 activate	Activate 2.2.2.2(VTEP2) into l2vpn evpn address family mode
(config-router-af)#neighbor 4.4.4.4 activate	Activate 4.4.4.4(VTEP4) into l2vpn evpn address family mode
(config-router-af)#exit-address-family	Exit from l2vpn address family mode
(config-router)#exit	Exit from Router BGP mode and enter into config mode

VRF Configuration:

(config)#mac vrf L2VRF1	Create mac routing/forwarding instance with L2VRF1 name and enter into vrf mode
(config-vrf)#rd 5.5.5.5:11	Assign RD value
(config-vrf)#description MAC VRF RED	Give description to L2VRF1 as RED
(config-vrf)#route-target both 9.9.9.9:100	Assign route-target value for same for import and export. Should be same on all node for L2VRF1
(config-vrf)#exit	Exit from vrf mode
(config)#mac vrf L2VRF2	Create mac routing/forwarding instance with L2VRF2 name and enter into vrf mode
(config-vrf)#rd 5.5.5.5:21	Assign RD value
(config-vrf)#route-target both 90.90.90.90:100	Assign route-target value for same for import and export
(config-vrf)#description MAC VRF BLUE	Give description to L2VRF2 as BLUE
(config-vrf)#exit	Exit from vrf mode

VXLAN configuration:

(config)#nvo vxlan enable	Enable VXLAN
(config)#nvo vxlan vtep-ip-global 5.5.5.5	Configure Source vtep-ip-global configuration. Use loopback ip address
(config)#nvo vxlan id 101 ingress-replication inner-vid-disabled	Configure VXLAN Network identifier with/without inner-vid-disabled configure and enter into VXLAN tenant mode
(config-nvo)#vxlan host-reachability-protocol evpn-bgp L2VRF1	Assign vrf for evpn-bgp to carry EVPN route
(config-nvo)# vni-name VNI-101	Configure VNI name as VNI-101
(config-nvo)#exit	Exit from VXLAN tenant mode and enter into configuration mode.
(config)#nvo vxlan id 201 ingress-replication inner-vid-disabled	Configure VXLAN Network identifier with/without inner-vid-disabled configure and enter into VXLAN tenant mode
(config-nvo)#vxlan host-reachability-protocol evpn-bgp L2VRF2	Assign vrf for evpn-bgp to carry EVPN route
(config-nvo)# vni-name VNI-201	Configure VNI name as VNI-201
(config-nvo)#exit	Exit from VXLAN tenant mode and enter into configuration mode.
(config)# nvo vxlan access-if port-vlan xe1 10	Enable port-vlan mapping i.e. access port to outer-vlan (SVLAN)
(config-nvo-acc-if)#map vnid 101	Map VXLAN Identified to access-port for VXLAN

(config-nvo-acc-if)# mac 0000.4444.1010 ip 11.11.11.201	Configure static mac-ip
(config-nvo-acc-if)#commit	Commit the candidate configuration to the running configuration
(config-nvo-acc-if)#exit	Exit from VXLAN access-interface mode and enter into configuration mode
(config)#exit	Exit from configuration mode

Switch1 (MH2)

Multihomed to 2-VTEPs (VTEP1 and VTEP2). It acts as Tenant system for vlan1.20.

#configure terminal	Enter Configure mode.
(config)# bridge 1 protocol rstp vlan-bridge	Configure rstp vlan bridge
(config)# vlan database	Enter vlan database config mode
(config)#vlan 2-20 bridge 1 state enable	Configure vlans from 2-20 and associate with bridge 1
(config)#interface xe5	Enter Interface mode for xe5 which is connected to TG
(config-if)#switchport	Make as L2 port by configuring switchport
(config-if)#bridge-group 1	Associate bridge 1 into interface
(config-if)# bridge-group 1 spanning-tree disable	Configure interface as stp disable
(config-if)# switchport mode trunk	Mode as trunk
(config-if)# switchport trunk allowed vlan add 10,20	Trunk allowed vlan as 10.20
(config-if)#exit	Exit Interface mode and return to Configure mode.
(config)#interface po1	Enter Interface mode for po1
(config-if)#switchport	Make po1 as L2 port by configuring switchport
(config-if)#bridge-group 1	Associate po1 to bridge 1
(config-if)# bridge-group 1 spanning-tree disable	Configure po1 as stp disable
(config-if)# switchport mode trunk	Mode as trunk
(config-if)# switchport trunk allowed vlan add 10,20	Trunk allowed vlan as 2.10.20
(config-if)#exit	Exit Interface mode and return to Configure mode.
(config)#interface xe3	Enter Interface mode for xe3
(config-if)#channel-group 1 mode active	Make it member port of po1
(config)#interface xe2	Enter Interface mode for xe2
(config-if)#channel-group 1 mode active	Make it member port of po1
(config-if)#commit	Commit the candidate configuration to the running configuration
(config-if)#exit	Exit from configuration mode

Spine-P3

Spine node where all VTEPs are connected.

Generic configuration:

#configure terminal	Enter Configure mode.
(Config)#qos enable	Enabling qos

Interface and loopback configuration:

(config)#interface lo	Enter Interface mode for lo
(config-if)#ip address 100.100.100.100/32 secondary	Configure loopback ip address as 100.100.100.100 for Spine-P3
(config-if)#exit	Exit Interface mode and return to Configure mode.
(config)#interface ce16/1	Enter Interface mode for ce16/1
(config-if)#ip address 100.11.11.2/24	Configure ip address as 100.11.11.2 on network side of VTEP1
(config-if)#exit	Exit Interface mode and return to Configure mode.
(config) interface ce5/1	Enter into ce5/1 interface mode
(config-if)#ip address 100.12.12.2/24	Configure ip address as 100.12.12.2 on network side of VTEP2
(config-if)#exit	Exit Interface mode and return to Configure mode.
(config) interface ce9/1	Enter ce9/1 interface mode
(config-if)#ip address 100.14.14.2/24	Configure ip address as 100.14.14.12 on network side of VTEP4
(config-if)#exit	Exit Interface mode and return to Configure mode.
(config) interface ce23/1	Enter interface mode
(config-if)#ip address 100.15.15.1/24	Configure ip address as 100.15.15.1 on network side of VTEP5
(config-if)#exit	Exit Interface mode and return to Configure mode.

OSPF configuration:

(config)#router ospf 100	Enter into router OSPF mode
(config-router)#ospf router-id 100.100.100.100	Configure router-id as 100.100.100.100 (lo ip address)
(config-router)#network 100.100.100.100/32 area 0.0.0.0	Add 100.100.100.100 (lo ip address) network into area 0
(config-router)#network 100.11.11.0/24 area 0.0.0.0	Add 100.11.11.0 (VTEP1) network into area 0
(config-router)#network 100.12.12.0/24 area 0.0.0.0	Add 100.12.12.0 (VTEP2) network into area 0
(config-router)#network 100.14.14.0/24 area 0.0.0.0	Add 100.14.14.0 (VTEP4) network into area 0
(config-router)#network 100.15.15.0/24 area 0.0.0.0	Add 100.15.15.0 (VTEP5) network into area 0
(config-router)#bfd all-interfaces	Enabling bfd on all ospf interface for fast convergence

(config-router) #commit	Commit the candidate configuration to the running configuration
(config-router) #exit	Exit Interface mode and return to Configure mode.

Centralized Gateway

In Centralized gateway approach, when two TS belonging to two different subnets connected to the same/different VTEP node, wanted to communicate with each other, their traffic needed to be back hauled from the VTEP node to the centralized gateway node where inter- subnet switching is performed and then back to the VTEP node.

IRB Configuration for Centralized Gateway

Configure from Base Configuration-L2 VXLAN section, then configure below commands for centralized gateway approach. Here VTEP4 is the centralized GW. In VTEP4, dscp-to-queue qos profile should be applied on the particular incoming L2VNID IRB interface.

Note: For L3 traffic, when L2VNID is sent in the traffic, then dscp-to-queue qos profile mapped at IRB interface of that particular L2VNID takes effect.

VTEP1

(config) #qos profile cos-to-queue COS_QUEUE	Create QoS profile for mapping traffic towards tunnel from access-if
(config-ingress-cos-map) #cos 1 queue 5	Configure particular COS value to queue value for the profile
(config-ingress-cos-map) #exit	Exit from qos profile mode
(config) #qos profile queue-color-to-dscp QUEUE_DSCP	Create QoS profile for attaching in vxlan tunnel egress
(config-egress-dscp-map) #queue 5 dscp 34	Configure queue value to DSCP value for the profile
(config) #nvo vxlan tunnel qos-map-mode cos-dscp egress QUEUE_DSCP	Map the configured QoS profile to vxlan tunnel egress
(config) #nvo vxlan access-if port-vlan po1 20	Enter into vxlan access port mode
(config-nvo-acc-if) #map qos-profile cos-to-queue COS_QUEUE	Map the qos profile in vxlan access-if
(config-nvo-acc-if) #commit	Commit the candidate configuration to the running configuration
(config-nvo-acc-if) #end	Exit from vxlan access port

VTEP2

(config) #qos profile cos-to-queue COS_QUEUE	Create QoS profile for mapping traffic towards tunnel from access-if
(config-ingress-cos-map) #cos 1 queue 5	Configure particular COS value to queue value for the profile
(config-ingress-cos-map) #exit	Exit from qos profile mode
(config) #qos profile queue-color-to-dscp QUEUE_DSCP	Create QoS profile for attaching in vxlan tunnel egress
(config-egress-dscp-map) #queue 5 dscp 34	Configure queue value to DSCP value for the profile

(config)#nvo vxlan tunnel qos-map-mode cos-dscp egress QUEUE_DSCP	Map the configured QoS profile to vxlan tunnel egress
(config)#nvo vxlan access-if port-vlan po1 20	Enter into vxlan access port mode
(config-nvo-acc-if)#map qos-profile cos-to-queue COS_QUEUE	Map the qos profile in vxlan access-if
(config-nvo-acc-if)#commit	Commit the candidate configuration to the running configuration
(config-nvo-acc-if)#end	Exit from vxlan access port

VSTEP4

(config)#nvo vxlan irb	Enable VXLAN irb
(config)#ip vrf L3VRF1	Create mac routing/forwarding instance with L3VRF1 name and enter into vrf mode
(config-vrf)#rd 51000:11	Assign RD value
(config-vrf)# route-target both 100:100	Assign route-target value for same for import and export.
(config-vrf)# l3vni 1000	Configure L3VNI as 1000 for L3VRF1
(config-vrf)#exit	Exit from vrf mode
(config)# interface irb1001	Configure IRB interface 1001
(config-if)ip vrf forwarding L3VRF1	Configure L3VRF1
(config-if)ip address 11.11.11.1/24	Configure ip address
(config-if)ipv6 address 1111::1/64	Configure ipv6 address
(config-if)exit	Exit from interface config mode
(config)# interface irb2001	Configure IRB interface 2001
(config-if)ip vrf forwarding L3VRF1	Configure L3VRF1
(config-if)ip address 21.21.21.1/24	Configure ip address
(config-if)ipv6 address 2121::1/64	Configure ipv6 address
(config-if)exit	Exit from interface config mode
(config)# nvo vxlan id 101 ingress-replication inner-vid-disabled	Configure VXLAN Network identifier with/without inner-vid-disabled configure and enter into VXLAN tenant mode
(config-nvo)#vxlan host-reachability-protocol evpn-bgp L2VRF1	Assign vrf for evpn-bgp to carry EVPN route
(config-nvo)# evpn irb1001	Configure irb1001 under vxlan id 101
(config-nvo)#exit	Exit from VXLAN tenant mode and enter into configuration mode.
(config)#nvo vxlan id 201 ingress-replication inner-vid-disabled	Configure VXLAN Network identifier with/without inner-vid-disabled configure and enter into VXLAN tenant mode
(config-nvo)#vxlan host-reachability-protocol evpn-bgp L2VRF2	Assign vrf for evpn-bgp to carry EVPN route
(config-nvo)# evpn irb2001	Configure irb2001 under vxlan id 201
(config-nvo)#exit	Exit from VXLAN tenant mode and enter into configuration mode.
(config)#qos profile dscp-to-queue DSCP_QUEUE	Configure the QoS profile to match the inner dscp value of the traffic at the IRB interface

(config-ingress-dscp-map)#dscp 20 queue 1	Configure particular dscp to a queue value. Configure particular dscp to a queue value. Here classification at the IRB L3 interface is based on customer dscp value.
(config-ingress-dscp-map)#exit	Exit from qos profile config mode
config)#int irb2001	Enter IRB L3 interface mode
(config-irb-if)#qos map-profile dscp-to-queue DSCP_QUEUE	Map the qos profile in the IRB interface
(config-irb-if)#exit	Exit from interface mode
(config)#commit	Commit the candidate configuration to the running configuration
(config)#end	Exit from global config mode

VTEP5

(config)#qos profile queue-color-to-cos QUEUE_COS	Create QoS profile for remark the queue value to COS value
(config-egress-cos-map)#queue 2 cos 5	Configure particular queue value to COS value for the profile
(config-ingress-cos-map)#exit	Exit from qos profile mode
(config)# qos profile dscp-to-queue DSCP_QUEUE	Create QoS profile for attaching in vxlan tunnel ingress
(config-ingress-dscp-map)#dscp 56 queue 2	Configure DSCP value to queue value for the profile
(config)#nvo vxlan tunnel qos-map-mode cos-dscp ingress DSCP_QUEUE	Map the configured QoS profile to vxlan tunnel ingress
(config)#nvo vxlan access-if port-vlan xe110	Enter into vxlan access port mode
(config-nvo-acc-if)#map qos-profile queue-color-to-cos QUEUE_COS	Map the qos profile in vxlan access-if
(config-nvo-acc-if)#commit	Commit the candidate configuration to the running configuration
(config-nvo-acc-if)#end	Exit from vxlan access port

Validation

Send traffic from TS2-21 to MH2 access-if with dscp value 20 and COS value 1(vlan20) and verify traffic received at TS1-11 with dscp value 32 and COS value 5(vlan10) at the VTEP5 access-if.

VTEP1

```
VTEP1#show running-config qos
qos enable
!
qos profile cos-to-queue COS_QUEUE
 cos 1 queue 5
!
qos profile queue-color-to-dscp QUEUE_DSCP
 queue 5 color all dscp 34
!
!
!
VTEP1#show running-config nvo vxlan
!
nvo vxlan enable
!
```

```

evpn vxlan multihoming enable
!
nvo vxlan vtep-ip-global 1.1.1.1
!
nvo vxlan tunnel qos-map-mode cos-dscp egress QUEUE_DSCP
!
nvo vxlan id 101 ingress-replication inner-vid-disabled
  vxlan host-reachability-protocol evpn-bgp L2VRF1
  vni-name VNI-101
!
nvo vxlan id 201 ingress-replication inner-vid-disabled
  vxlan host-reachability-protocol evpn-bgp L2VRF2
  vni-name VNI-201
!
nvo vxlan access-if port-vlan po1 10
  map vnid 101
  mac 0000.2222.1010 ip 11.11.11.51
!
nvo vxlan access-if port-vlan po1 20
  map vnid 201
  mac 0000.2222.1020 ip 21.21.21.51
  map qos-profile cos-to-queue COS_QUEUE
!
!
VTEP1#show nvo vxlan tunnel
VXLAN Network tunnel Entries
Source          Destination      Status           Up/Down          Update
=====
1.1.1.1         5.5.5.5         Installed        01:15:13        01:15:13
1.1.1.1         4.4.4.4         Installed        01:15:28        01:15:28
1.1.1.1         2.2.2.2         Installed        01:11:40        01:11:40

```

```

Total number of entries are 3
VTEP1#show interface ce52 counters queue-stats
E - Egress, I - Ingress, Q-Size is in bytes
+-----+-----+-----+-----+-----+-----+
| Queue/Class-map | Q-Size | Tx pkts | Tx bytes | Dropped pkts | Dropped bytes |
+-----+-----+-----+-----+-----+-----+
q0                (E) 125304832 0          0          0          0
q1                (E) 125304832 0          0          0          0
q2                (E) 125304832 0          0          0          0
q3                (E) 125304832 0          0          0          0
q4                (E) 125304832 0          0          0          0
q5                (E) 125304832 1316880    1316879000 0          0
q6                (E) 125304832 0          0          0          0
q7                (E) 125304832 0          0          0          0

```

```

VTEP1#show qos-profile COS_QUEUE
profile name: COS_QUEUE
profile type: cos-to-queue
profile attached to 1 instances
configured mapping:
cos 1 queue 5
Detailed mapping:

```

INPUT				OUTPUT			
COS	DEI	Queue	Color	COS	DEI	Queue	Color
0	0	0	green	0	1	0	yellow
1	0	5	green	1	1	5	yellow
2	0	2	green	2	1	2	yellow
3	0	3	green	3	1	3	yellow
4	0	4	green	4	1	4	yellow
5	0	5	green	5	1	5	yellow
6	0	6	green	6	1	6	yellow
7	0	7	green	7	1	7	yellow

```

VTEP1#show qos-profile QUEUE_DSCP
profile name: QUEUE_DSCP
profile type: queue-color-to-dscp
profile attached to 1 instances
configured mapping:
queue 5 color all dscp 34

```

VXLAN-EVPN with IRB QoS

Detailed mapping:

INPUT			OUTPUT			INPUT			OUTPUT		
Queue	Color	DSCP	Queue	Color	DSCP	Queue	Color	DSCP	Queue	Color	DSCP
0	green	0	0	yellow	0	0	red	0	0	red	0
1	green	10	1	yellow	12	1	red	14	1	red	14
2	green	18	2	yellow	20	2	red	22	2	red	22
3	green	26	3	yellow	28	3	red	30	3	red	30
4	green	34	4	yellow	36	4	red	38	4	red	38
5	green	34	5	yellow	34	5	red	34	5	red	34
6	green	48	6	yellow	48	6	red	48	6	red	48
7	green	56	7	yellow	56	7	red	56	7	red	56

VTEP4

```
VTEP4#show running-config qos
```

```
qos enable
```

```
!
```

```
qos profile dscp-to-queue DSCP_QUEUE
```

```
  dscp 20 queue 1
```

```
!
```

```
!
```

```
!
```

```
interface irb2001
```

```
  qos map-profile dscp-to-queue DSCP_QUEUE
```

```
!
```

```
VTEP4#show running-config nvo vxlan
```

```
!
```

```
nvo vxlan enable
```

```
!
```

```
nvo vxlan irb
```

```
!
```

```
evpn vxlan multihoming enable
```

```
!
```

```
nvo vxlan vtep-ip-global 4.4.4.4
```

```
!
```

```
nvo vxlan id 101 ingress-replication inner-vid-disabled
```

```
  vxlan host-reachability-protocol evpn-bgp L2VRF1
```

```
  evpn irb1001
```

```
  vni-name VNI-101
```

```
!
```

```
nvo vxlan id 201 ingress-replication inner-vid-disabled
```

```
  vxlan host-reachability-protocol evpn-bgp L2VRF2
```

```
  evpn irb2001
```

```
  vni-name VNI-201
```

```
!
```

```
nvo vxlan access-if port-vlan xe3 20
```

```
  map vnid 201
```

```
  mac 0000.5555.1020 ip 21.21.21.101
```

```
!
```

```
!
```

```
VTEP4#show nvo vxlan tunnel
```

```
VXLAN Network tunnel Entries
```

Source	Destination	Status	Up/Down	Update
4.4.4.4	2.2.2.2	Installed	00:08:40	00:08:40
4.4.4.4	1.1.1.1	Installed	00:12:28	00:12:28
4.4.4.4	5.5.5.5	Installed	00:12:13	00:12:13

```
Total number of entries are 3
```

```
VTEP4#show nvo vxlan
```

```
VXLAN Information
```

```
=====
```

```
Codes: NW - Network Port
```

```
      AC - Access Port
```

```
      (u) - Untagged
```

```
VNID      VNI-Name      VNI-Type Type Interface ESI      VLAN DF-Status Src-Addr      Dst-Addr
```


101	VNI-101	L2	NW	----	----	----	4.4.4.4	2.2.2.2
101	VNI-101	L2	NW	----	----	----	4.4.4.4	1.1.1.1
101	VNI-101	L2	NW	----	----	----	4.4.4.4	5.5.5.5
201	VNI-201	L2	NW	----	----	----	4.4.4.4	2.2.2.2
201	VNI-201	L2	NW	----	----	----	4.4.4.4	1.1.1.1
201	VNI-201	L2	NW	----	----	----	4.4.4.4	5.5.5.5
201	VNI-201	--	AC	xe3	---	Single Homed Port ---	20	----

Total number of entries are 7

VTEP4#show nvo vxlan arp-cache

VXLAN ARP-CACHE Information

=====

VNID	Ip-Addr	Mac-Addr	Type	Age-Out	Retries-Left
201	21.21.21.51	0000.2222.1020	Static Remote	----	
201	21.21.21.1	3c2c.991a.da7a	Static Local	----	
201	21.21.21.101	0000.5555.1020	Static Local	----	
101	11.11.11.51	0000.2222.1010	Static Remote	----	
101	11.11.11.1	3c2c.991a.da7a	Static Local	----	
101	11.11.11.201	0000.4444.1010	Static Remote	----	

Total number of entries are 6

VTEP4#show nvo vxlan nd-cache

VXLAN ND-CACHE Information

=====

VNID	Ip-Addr	Mac-Addr	Type	Age-Out	Retries-Left
201	2121::1	3c2c.991a.da7a	Static Local	----	
101	1111::1	3c2c.991a.da7a	Static Local	----	

Total number of entries are 2

VTEP4#show nvo vxlan l3vni-map

L3VNI L2VNI IRB-interface

=====

1000	101	irb1001
1000	201	irb2001

VTEP4#show ipv4 route vrf L3VRF1

Codes: K - kernel, C - connected, S - static, R - RIP, B - BGP

O - OSPF, IA - OSPF inter area

N1 - OSPF NSSA external type 1, N2 - OSPF NSSA external type 2

E1 - OSPF external type 1, E2 - OSPF external type 2

i - IS-IS, L1 - IS-IS level-1, L2 - IS-IS level-2,

ia - IS-IS inter area, E - EVPN,

v - vrf leaked

* - candidate default

IP Route Table for VRF "L3VRF1"

C	11.11.11.0/24	is directly connected, irb1001, 00:01:35
C	21.21.21.0/24	is directly connected, irb2001, 00:01:16
C	127.0.0.0/8	is directly connected, lo.L3VRF1, 00:06:12

Gateway of last resort is not set

VTEP4#show ipv6 route vrf L3VRF1

IPv6 Routing Table

Codes: K - kernel route, C - connected, S - static, D- DHCP, R - RIP,

O - OSPF, IA - OSPF inter area, E1 - OSPF external type 1,

E2 - OSPF external type 2, E - EVPN N1 - OSPF NSSA external type 1,

N2 - OSPF NSSA external type 2, i - IS-IS, B - BGP,

v - vrf leaked

Timers: Uptime

IP Route Table for VRF "L3VRF1"

C	::1/128	via ::, lo.L3VRF1, 00:06:29
C	1111::/64	via ::, irb1001, 00:01:52
C	2121::/64	via ::, irb2001, 00:01:33
C	fe80::/64	via ::, irb2001, 00:01:33

VTEP4#show interface ce49 counters queue-stats

E - Egress, I - Ingress, Q-Size is in bytes

Queue/Class-map	Q-Size	Tx pkts	Tx bytes	Dropped pkts	Dropped bytes
q0	(E) 125304832	0	0	0	0
q1	(E) 125304832	1422755	1488201730	0	0
q2	(E) 125304832	0	0	0	0

VXLAN-EVPN with IRB QoS

```

q3          (E) 125304832 0          0          0          0
q4          (E) 125304832 0          0          0          0
q5          (E) 125304832 0          0          0          0
q6          (E) 125304832 0          0          0          0
q7          (E) 125304832 0          0          0          0

```

VTEP4#show qos-profile DSCP_QUEUE

```

profile name: DSCP_QUEUE
profile type: dscp-to-queue
profile attached to 1 instances
configured mapping:
  dscp 20 queue 1

```

Detailed mapping:

INPUT OUTPUT				INPUT OUTPUT				INPUT OUTPUT				INPUT OUTPUT			
DSCP	Queue	Color	Out DSCP	DSCP	Queue	Color	Out DSCP	DSCP	Queue	Color	Out DSCP	DSCP	Queue	Color	Out DSCP
0	0	green	0	16	2	green	16	32	4	green	32	48	6		
green	48														
1	0	green	1	17	2	green	17	33	4	green	33	49	6		
green	49														
2	0	green	2	18	2	green	18	34	4	green	34	50	6		
green	50														
3	0	green	3	19	2	green	19	35	4	green	35	51	6		
green	51														
4	0	green	4	20	1	yellow	20	36	4	yellow	36	52	6		
green	52														
5	0	green	5	21	2	green	21	37	4	green	37	53	6		
green	53														
6	0	green	6	22	2	yellow	22	38	4	yellow	38	54	6		
green	54														
7	0	green	7	23	2	green	23	39	4	green	39	55	6		
green	55														
8	1	green	8	24	3	green	24	40	5	green	40	56	7		
green	56														
9	1	green	9	25	3	green	25	41	5	green	41	57	7		
green	57														
10	1	green	10	26	3	green	26	42	5	green	42	58	7		
green	58														
11	1	green	11	27	3	green	27	43	5	green	43	59	7		
green	59														
12	1	yellow	12	28	3	yellow	28	44	5	green	44	60	7		
green	60														
13	1	green	13	29	3	green	29	45	5	green	45	61	7		
green	61														
14	1	yellow	14	30	3	yellow	30	46	5	green	46	62	7		
green	62														
15	1	green	15	31	3	green	31	47	5	green	47	63	7		
green	63														

VTEP4#show qos-profile interface irb2001

```

profile name: DSCP_QUEUE
profile type: dscp-to-queue (Ingress)
mapping:

```

INPUT OUTPUT				INPUT OUTPUT				INPUT OUTPUT				INPUT OUTPUT			
DSCP	Queue	Color	Out DSCP	DSCP	Queue	Color	Out DSCP	DSCP	Queue	Color	Out DSCP	DSCP	Queue	Color	Out DSCP
0	0	green	0	16	2	green	16	32	4	green	32	48	6		
green	48														
1	0	green	1	17	2	green	17	33	4	green	33	49	6		
green	49														
2	0	green	2	18	2	green	18	34	4	green	34	50	6		
green	50														
3	0	green	3	19	2	green	19	35	4	green	35	51	6		
green	51														
4	0	green	4	20	1	yellow	20	36	4	yellow	36	52	6		
green	52														

5	0	green	5		21	2	green	21		37	4	green	37		53	6
green	53															
6	0	green	6		22	2	yellow	22		38	4	yellow	38		54	6
green	54															
7	0	green	7		23	2	green	23		39	4	green	39		55	6
green	55															
8	1	green	8		24	3	green	24		40	5	green	40		56	7
green	56															
9	1	green	9		25	3	green	25		41	5	green	41		57	7
green	57															
10	1	green	10		26	3	green	26		42	5	green	42		58	7
green	58															
11	1	green	11		27	3	green	27		43	5	green	43		59	7
green	59															
12	1	yellow	12		28	3	yellow	28		44	5	green	44		60	7
green	60															
13	1	green	13		29	3	green	29		45	5	green	45		61	7
green	61															
14	1	yellow	14		30	3	yellow	30		46	5	green	46		62	7
green	62															
15	1	green	15		31	3	green	31		47	5	green	47		63	7
green	63															

VTEP5

```
VTEP5#show running-config qos
qos enable
!
qos profile queue-color-to-cos QUEUE_COS
  queue 2 color all cos 5
!
qos profile dscp-to-queue DSCP_QUEUE
  dscp 56 queue 2
!
!
!
VTEP5#show running-config nvo vxlan
!
nvo vxlan enable
!
evpn vxlan multihoming enable
!
nvo vxlan vtep-ip-global 5.5.5.5
!
nvo vxlan tunnel qos-map-mode cos-dscp ingress DSCP_QUEUE
!
nvo vxlan id 101 ingress-replication inner-vid-disabled
  vxlan host-reachability-protocol evpn-bgp L2VRF1
  vni-name VNI-101
!
nvo vxlan id 201 ingress-replication inner-vid-disabled
  vxlan host-reachability-protocol evpn-bgp L2VRF2
  vni-name VNI-201
!
nvo vxlan access-if port-vlan xe1 10
  map vnid 101
  mac 0000.4444.1010 ip 11.11.11.201
  map qos-profile queue-color-to-cos QUEUE_COS
!
!
```

```
VTEP5#show nvo vxlan tunnel
VXLAN Network tunnel Entries
Source          Destination      Status           Up/Down          Update
=====
5.5.5.5         2.2.2.2         Installed        01:11:17        01:11:17
5.5.5.5         4.4.4.4         Installed        01:14:50        01:14:50
5.5.5.5         1.1.1.1         Installed        01:14:50        01:14:50
```

```
Total number of entries are 3
VTEP5#show interface xe1 counters queue-stats
E - Egress, I - Ingress, Q-Size is in bytes
```

Queue/Class-map	Q-Size	Tx pkts	Tx bytes	Dropped pkts	Dropped bytes
q0	(E) 12517376 0	0	0	0	0

VXLAN-EVPN with IRB QoS

```

q1          (E) 12517376 0          0          0          0
q2          (E) 12517376 1005800    1052066800 0          0          0
q3          (E) 12517376 0          0          0          0
q4          (E) 12517376 0          0          0          0
q5          (E) 12517376 0          0          0          0
q6          (E) 12517376 0          0          0          0
q7          (E) 12517376 0          0          0          0

```

```

VTEP5#sh qos-profile QUEUE_COS
profile name: QUEUE_COS
profile type: queue-color-to-cos
profile attached to 1 instances
configured mapping:
queue 2 color all cos 5

```

Detailed mapping:

INPUT			OUTPUT			INPUT			OUTPUT			INPUT			OUTPUT		
Queue	Color	COS	Queue	Color	COS	Queue	Color	COS	Queue	Color	COS	Queue	Color	COS	Queue	Color	COS
0	green	0	0	yellow	0	0	red	0	0	red	0	0	red	0	0	red	0
1	green	1	1	yellow	1	1	red	1	1	red	1	1	red	1	1	red	1
2	green	5	2	yellow	5	2	red	5	2	red	5	2	red	5	2	red	5
3	green	3	3	yellow	3	3	red	3	3	red	3	3	red	3	3	red	3
4	green	4	4	yellow	4	4	red	4	4	red	4	4	red	4	4	red	4
5	green	5	5	yellow	5	5	red	5	5	red	5	5	red	5	5	red	5
6	green	6	6	yellow	6	6	red	6	6	red	6	6	red	6	6	red	6
7	green	7	7	yellow	7	7	red	7	7	red	7	7	red	7	7	red	7

```

VTEP5#show qos-profile DSCP_QUEUE
profile name: DSCP_QUEUE
profile type: dscp-to-queue
profile attached to 1 instances
configured mapping:
dscp 56 queue 2

```

Detailed mapping:

INPUT				OUTPUT				INPUT				OUTPUT				INPUT				OUTPUT							
DSCP	Queue	Color	Out DSCP	DSCP	Queue	Color	Out DSCP	DSCP	Queue	Color	Out DSCP	DSCP	Queue	Color	Out DSCP	DSCP	Queue	Color	Out DSCP	DSCP	Queue	Color	Out DSCP	DSCP	Queue	Color	Out DSCP
0	green	0	48	16	2	green	16	32	4	green	32	48	6	0	green	0	16	2	green	16	32	4	green	32	48	6	
1	green	1	49	17	2	green	17	33	4	green	33	49	6	1	green	1	17	2	green	17	33	4	green	33	49	6	
2	green	2	50	18	2	green	18	34	4	green	34	50	6	2	green	2	18	2	green	18	34	4	green	34	50	6	
3	green	3	51	19	2	green	19	35	4	green	35	51	6	3	green	3	19	2	green	19	35	4	green	35	51	6	
4	green	4	52	20	2	yellow	20	36	4	yellow	36	52	6	4	green	4	20	2	yellow	20	36	4	yellow	36	52	6	
5	green	5	53	21	2	green	21	37	4	green	37	53	6	5	green	5	21	2	green	21	37	4	green	37	53	6	
6	green	6	54	22	2	yellow	22	38	4	yellow	38	54	6	6	green	6	22	2	yellow	22	38	4	yellow	38	54	6	
7	green	7	55	23	2	green	23	39	4	green	39	55	6	7	green	7	23	2	green	23	39	4	green	39	55	6	
8	green	8	56	24	3	green	24	40	5	green	40	56	2	8	green	8	24	3	green	24	40	5	green	40	56	2	
9	green	9	57	25	3	green	25	41	5	green	41	57	7	9	green	9	25	3	green	25	41	5	green	41	57	7	
10	green	10	58	26	3	green	26	42	5	green	42	58	7	10	green	10	26	3	green	26	42	5	green	42	58	7	
11	green	11	59	27	3	green	27	43	5	green	43	59	7	11	green	11	27	3	green	27	43	5	green	43	59	7	
12	green	12	60	28	3	yellow	28	44	5	green	44	60	7	12	green	12	28	3	yellow	28	44	5	green	44	60	7	
13	green	13	61	29	3	green	29	45	5	green	45	61	7	13	green	13	29	3	green	29	45	5	green	45	61	7	
14	green	14	62	30	3	yellow	30	46	5	green	46	62	7	14	green	14	30	3	yellow	30	46	5	green	46	62	7	
15	green	15	63	31	3	green	31	47	5	green	47	63	7	15	green	15	31	3	green	31	47	5	green	47	63	7	

Anycast Gateway

For today's large multi-tenant data center, centralized L3 gateway scheme is very inefficient and sometimes impractical. In order to overcome the drawback of centralized L3GW approach, anycast mode is used.

In Anycast gateway approach, all the VTEPs acts as default gateway for all the VNIDs. We will configure same anycast mac in all VTEPs.

IRB Configuration for Anycast

Configure from Base Configuration-L2 VXLAN section, then configure below commands for Anycast gateway approach.

Note: For L2 traffic, always dscp-to-queue qos profile at tunnel ingress takes effect.

Note: For L3 traffic in the local VTEP, routing is done at IRB level and also QoS applied at the IRB interface and it sends with l2vnid.

VTEP1

(config)#nvo vxlan irb	Enable VXLAN irb
(config)#ip vrf L3VRF1	Create mac routing/forwarding instance with L3VRF1 name and enter into vrf mode
(config-vrf)#rd 11000:11	Assign RD value
(config-vrf)# route-target both 100:100	Assign route-target value for same for import and export.
(config-vrf)# l3vni 1000	Configure L3VNI as 1000 for L3VRF1
(config-vrf)#exit	Exit from vrf mode
(config)# evpn irb-forwarding anycast-gateway-mac 0000.0000.1111	Configure anycast mac address
(config)# interface irb1001	Configure IRB interface 1001
(config-if)ip vrf forwarding L3VRF1	Configure L3VRF1
(config-if)ip address 11.11.11.1/24	Configure ip address
(config-if)ipv6 address 1111::1/64	Configure ipv6 address
(config-if) evpn irb-if-forwarding anycast-gateway-mac	Configure anycast mac address
(config-if)exit	Exit from interface config mode
(config)# interface irb2001	Configure IRB interface 2001
(config-if)ip vrf forwarding L3VRF1	Configure L3VRF1
(config-if)ip address 21.21.21.1/24	Configure ip address
(config-if)ipv6 address 2121::1/64	Configure ipv6 address
(config-if) evpn irb-if-forwarding anycast-gateway-mac	Configure anycast mac address
(config-if)exit	Exit from interface config mode
(config)# nvo vxlan id 101 ingress-replication inner-vid-disabled	Configure VXLAN Network identifier with/without inner-vid-disabled configure and enter into VXLAN tenant mode

VXLAN-EVPN with IRB QoS

(config-nvo)#vxlan host-reachability-protocol evpn-bgp L2VRF1	Assign vrf for evpn-bgp to carry EVPN route
(config-nvo)# evpn irb1001	Configure irb1001 under vxlan id 101
(config-nvo)#exit	Exit from VXLAN tenant mode and enter into configuration mode.
(config)#nvo vxlan id 201 ingress-replication inner-vid-disabled	Configure VXLAN Network identifier with/without inner-vid-disabled configure and enter into VXLAN tenant mode
(config-nvo)#vxlan host-reachability-protocol evpn-bgp L2VRF2	Assign vrf for evpn-bgp to carry EVPN route
(config-nvo)# evpn irb2001	Configure irb2001 under vxlan id 201
(config-nvo)#exit	Exit from VXLAN tenant mode and enter into configuration mode.
(config)#qos profile dscp-to-queue DSCP_QUEUE	Configure QoS profile to remark the traffic received from access-if
(config-ingress-dscp-map)#dscp 20 queue 4	Configure particular dscp value to queue value in the profile
(config-ingress-dscp-map)#exit	Exit from qos profile mode
(config)#int irb2001	Enter IRB L3 interface
(config-irb-if)#qos map-profile dscp-to-queue DSCP_QUEUE	Map the qos profile
(config-irb-if)#exit	Exit from interface mode
(config)#commit	Commit the candidate configuration to the running configuration
(config)#end	Exit from global config mode

VTEP2

(config)#nvo vxlan irb	Enable VXLAN IRB
(config)#ip vrf L3VRF1	Create mac routing/forwarding instance with L3VRF1 name and enter into vrf mode
(config-vrf)#rd 21000:11	Assign RD value
(config-vrf)# route-target both 100:100	Assign route-target value for same for import and export.
(config-vrf)# l3vni 1000	Configure L3VNI as 1000 for L3VRF1
(config-vrf)#exit	Exit from vrf mode
(config)# evpn irb-forwarding anycast-gateway-mac 0000.0000.1111	Configure anycast mac address
(config)# interface irb1001	Configure IRB interface 1001
(config-if)ip vrf forwarding L3VRF1	Configure L3VRF1
(config-if)ip address 11.11.11.1/24	Configure ip address
(config-if)ipv6 address 1111::1/64	Configure ipv6 address
(config-if) evpn irb-if-forwarding anycast-gateway-mac	Configure anycast mac address
(config-if)exit	Exit from interface config mode
(config)# interface irb2001	Configure IRB interface 2001
(config-if)ip vrf forwarding L3VRF1	Configure L3VRF1
(config-if)ip address 21.21.21.1/24	Configure ip address

(config-if)ipv6 address 2121::1/64	Configure ipv6 address
(config-if) evpn irb-if-forwarding anycast-gateway-mac	Configure anycast mac address
(config-if)exit	Exit from interface config mode
(config)# nvo vxlan id 101 ingress-replication inner-vid-disabled	Configure VXLAN Network identifier with/without inner-vid-disabled configure and enter into VXLAN tenant mode
(config-nvo)#vxlan host-reachability-protocol evpn-bgp L2VRF1	Assign vrf for evpn-bgp to carry EVPN route
(config-nvo)# evpn irb1001	Configure irb1001 under vxlan id 101
(config-nvo)#exit	Exit from VXLAN tenant mode and enter into configuration mode.
(config)#nvo vxlan id 201 ingress-replication inner-vid-disabled	Configure VXLAN Network identifier with/without inner-vid-disabled configure and enter into VXLAN tenant mode
(config-nvo)#vxlan host-reachability-protocol evpn-bgp L2VRF2	Assign vrf for evpn-bgp to carry EVPN route
(config-nvo)# evpn irb2001	Configure irb2001 under vxlan id 201
(config-nvo)#exit	Exit from VXLAN tenant mode and enter into configuration mode.
(config)#qos profile dscp-to-queue DSCP_QUEUE	Configure QoS profile to remark the traffic at remote vtep at the ingress tunnel.
(config-ingress-dscp-map)#dscp 20 queue 4	Configure particular dscp value to queue value in the profile
(config-ingress-dscp-map)#exit	Exit from qos profile mode
(config)#int irb2001	Enter IRB L3 interface
(config-irb-if)#qos map-profile dscp-to-queue DSCP_QUEUE	Map the qos profile
(config-irb-if)#exit	Exit from interface mode
(config)#commit	Commit the candidate configuration to the running configuration
(config)#end	Exit from global config mode

VTEP4

(config)#nvo vxlan irb	Enable VXLAN IRB
(config)#ip vrf L3VRF1	Create mac routing/forwarding instance with L3VRF1 name and enter into vrf mode
(config-vrf)#rd 41000:11	Assign RD value
(config-vrf)# route-target both 100:100	Assign route-target value for same for import and export.
(config-vrf)# l3vni 1000	Configure L3VNI as 1000 for L3VRF1
(config-vrf)#exit	Exit from vrf mode
(config)# evpn irb-forwarding anycast-gateway-mac 0000.0000.1111	Configure anycast mac address
(config)# interface irb1001	Configure IRB interface 1001
(config-if)ip vrf forwarding L3VRF1	Configure L3VRF1
(config-if)ip address 11.11.11.1/24	Configure ip address
(config-if)ipv6 address 1111::1/64	Configure ipv6 address

VXLAN-EVPN with IRB QoS

(config-if) evpn irb-if-forwarding anycast-gateway-mac	Configure anycast mac address
(config-if)exit	Exit from interface config mode
(config)# interface irb2001	Configure IRB interface 2001
(config-if)ip vrf forwarding L3VRF1	Configure L3VRF1
(config-if)ip address 21.21.21.1/24	Configure ip address
(config-if)ipv6 address 2121::1/64	Configure ipv6 address
(config-if) evpn irb-if-forwarding anycast-gateway-mac	Configure anycast mac address
(config-if)exit	Exit from interface config mode
(config)# nvo vxlan id 101 ingress-replication inner-vid-disabled	Configure VXLAN Network identifier with/without inner-vid-disabled configure and enter into VXLAN tenant mode
(config-nvo)#vxlan host-reachability-protocol evpn-bgp L2VRF1	Assign vrf for evpn-bgp to carry EVPN route
(config-nvo)# evpn irb1001	Configure irb1001 under vxlan id 101
(config-nvo)#exit	Exit from VXLAN tenant mode and enter into configuration mode.
(config)#nvo vxlan id 201 ingress-replication inner-vid-disabled	Configure VXLAN Network identifier with/without inner-vid-disabled configure and enter into VXLAN tenant mode
(config-nvo)#vxlan host-reachability-protocol evpn-bgp L2VRF2	Assign vrf for evpn-bgp to carry EVPN route
(config-nvo)# evpn irb2001	Configure irb2001 under vxlan id 201
(config-nvo)#commit	Commit the candidate configuration to the running configuration
(config-nvo)#exit	Exit from VXLAN tenant mode and enter into configuration mode.

VTEP5

(config)#nvo vxlan irb	Enable VXLAN IRB
(config)#ip vrf L3VRF1	Create mac routing/forwarding instance with L3VRF1 name and enter into vrf mode
(config-vrf)#rd 51000:11	Assign RD value
(config-vrf)# route-target both 100:100	Assign route-target value for same for import and export.
(config-vrf)# l3vni 1000	Configure L3VNI as 1000 for L3VRF1
(config-vrf)#exit	Exit from vrf mode
(config)# evpn irb-forwarding anycast-gateway-mac 0000.0000.1111	Configure anycast mac address
(config)# interface irb1001	Configure IRB interface 1001
(config-if)ip vrf forwarding L3VRF1	Configure L3VRF1
(config-if)ip address 11.11.11.1/24	Configure ip address
(config-if)ipv6 address 1111::1/64	Configure ipv6 address
(config-if) evpn irb-if-forwarding anycast-gateway-mac	Configure anycast mac address
(config-if)exit	Exit from interface config mode
(config)# interface irb2001	Configure IRB interface 2001

(config-if)ip vrf forwarding L3VRF1	Configure L3VRF1
(config-if)ip address 21.21.21.1/24	Configure ip address
(config-if)ipv6 address 2121::1/64	Configure ipv6 address
(config-if) evpn irb-if-forwarding anycast-gateway-mac	Configure anycast mac address
(config-if)exit	Exit from interface config mode
(config)# nvo vxlan id 101 ingress-replication inner-vid-disabled	Configure VXLAN Network identifier with/without inner-vid-disabled configure and enter into VXLAN tenant mode
(config-nvo)#vxlan host-reachability-protocol evpn-bgp L2VRF1	Assign vrf for evpn-bgp to carry EVPN route
(config-nvo)# evpn irb1001	Configure irb1001 under vxlan id 101
(config-nvo)#exit	Exit from VXLAN tenant mode and enter into configuration mode.
(config)#nvo vxlan id 201 ingress-replication inner-vid-disabled	Configure VXLAN Network identifier with/without inner-vid-disabled configure and enter into VXLAN tenant mode
(config-nvo)#vxlan host-reachability-protocol evpn-bgp L2VRF2	Assign vrf for evpn-bgp to carry EVPN route
(config-nvo)# evpn irb2001	Configure irb2001 under vxlan id 201
(config-nvo)#exit	Exit from VXLAN tenant mode and enter into configuration mode.
(config)#qos profile dscp-to-queue DSCP_QUEUE	Configure the qos profile to remark outer dscp to queue of the the ingress tunnel traffic. Here classification at the ingress vtep is based on overlay dscp value.
(config-ingress-dscp-map)#dscp 34 queue 2	Configure particular dscp value to queue value in the profile. Here dscp to <queue, dscp> is not applicable. I.e ingress remarking of dscp at the ingress tunnel is not applicable.
(config-ingress-dscp-map)#exit	Exit from qos profile mode
(config)#qos profile queue-color-to-cos QUEUE_COS	Configure qos profile to remark the queue value to COS value
(config-egress-cos-map)#queue 2 cos 6	Configure particular queue value to COS value
(config-egress-cos-map)#exit	Exit from qos profile config mode
(config)#nvo vxlan tunnel qos-map-mode cos-dscp ingress DSCP_QUEUE	Map the qos profile in tunnel ingress
(config)#nvo vxlan access-if port-vlan xe1 10	Enter to vxlan access port config mode
(config-nvo-acc-if)#map qos-profile queue-color-to-cos QUEUE_COS	Map the qos profile in vxlan access port
(config-nvo-acc-if)#commit	Commit the candidate configuration to the running configuration
(config-nvo-acc-if)#end	Exit from config mode

Validations

Send traffic from TS2-21 to MH2 access-if with dscp value 20 and COS value 1(vlan20) and verify traffic received at TS1-11 with dscp value 20 and COS value 6(vlan10) at the VTEP5 access-if.

VTEP1

```
VTEP1#show running-config qos
```

```

qos enable
!
qos profile dscp-to-queue DSCP_QUEUE
  dscp 20 queue 4
!
!
!
!
interface irb2001
  qos map-profile dscp-to-queue DSCP_QUEUE
!
VTEP1#show running-config nvo vxlan
!
nvo vxlan enable
!
nvo vxlan irb
!
evpn vxlan multihoming enable
!
evpn irb-forwarding anycast-gateway-mac 0000.0000.1111
!
nvo vxlan vtep-ip-global 1.1.1.1
!
nvo vxlan id 101 ingress-replication inner-vid-disabled
  vxlan host-reachability-protocol evpn-bgp L2VRF1
  evpn irb1001
  vni-name VNI-101
!
nvo vxlan id 201 ingress-replication inner-vid-disabled
  vxlan host-reachability-protocol evpn-bgp L2VRF2
  evpn irb2001
  vni-name VNI-201
!
nvo vxlan access-if port-vlan pol 10
  map vnid 101
  mac 0000.2222.1010 ip 11.11.11.51
!
nvo vxlan access-if port-vlan pol 20
  map vnid 201
  mac 0000.2222.1020 ip 21.21.21.51
!
!

```

```

VTEP1#show nvo vxlan tunnel
VXLAN Network tunnel Entries
Source          Destination      Status           Up/Down          Update
=====
1.1.1.1         5.5.5.5         Installed        01:15:13        01:15:13
1.1.1.1         4.4.4.4         Installed        01:15:28        01:15:28
1.1.1.1         2.2.2.2         Installed        01:11:40        01:11:40

```

Total number of entries are 3

VTEP1#show nvo vxlan

VXLAN Information

=====

Codes: NW - Network Port
 AC - Access Port
 (u) - Untagged

VNID	VNI-Name	VNI-Type	Type	Interface	ESI	VLAN	DF-Status
Src-Addr	Dst-Addr						
101	VNI-101	L2	NW	----	----	----	----
1.1.1.1	5.5.5.5						
101	VNI-101	L2	NW	----	----	----	----
1.1.1.1	4.4.4.4						
101	VNI-101	L2	NW	----	----	----	----
1.1.1.1	2.2.2.2						
101	VNI-101	--	AC	po1	00:00:00:00:00:22:22:00:00:00	10	DF
----	----						
201	VNI-201	L2	NW	----	----	----	----
1.1.1.1	5.5.5.5						
201	VNI-201	L2	NW	----	----	----	----
1.1.1.1	4.4.4.4						
201	VNI-201	L2	NW	----	----	----	----
1.1.1.1	2.2.2.2						
201	VNI-201	--	AC	po1	00:00:00:00:00:22:22:00:00:00	20	DF
----	----						

Total number of entries are 8

VTEP1#show nvo vxlan arp-cache

VXLAN ARP-CACHE Information

=====

VNID	Ip-Addr	Mac-Addr	Type	Age-Out	Retries-Left
201	21.21.21.51	0000.2222.1020	Static Local	----	
201	21.21.21.1	0000.0000.1111	Static Local	----	
201	21.21.21.101	0000.5555.1020	Static Remote	----	
101	11.11.11.51	0000.2222.1010	Static Local	----	
101	11.11.11.10	0010.9400.0002	Dynamic Remote	----	
101	11.11.11.1	0000.0000.1111	Static Local	----	
101	11.11.11.201	0000.4444.1010	Static Remote	----	

Total number of entries are 7

VTEP1#show nvo vxlan nd-cache

VXLAN ND-CACHE Information

=====

VNID	Ip-Addr	Mac-Addr	Type	Age-Out
201	2121:::1	0000.0000.1111	Static Local	----
101	1111:::10	0010.9400.0002	Dynamic Remote	----
101	1111:::1	0000.0000.1111	Static Local	----

Total number of entries are 3

VTEP1#show ipv4 route vrf L3VRF1

Codes: K - kernel, C - connected, S - static, R - RIP, B - BGP
 O - OSPF, IA - OSPF inter area
 N1 - OSPF NSSA external type 1, N2 - OSPF NSSA external type 2
 E1 - OSPF external type 1, E2 - OSPF external type 2
 i - IS-IS, L1 - IS-IS level-1, L2 - IS-IS level-2,
 ia - IS-IS inter area, E - EVPN,
 v - vrf leaked
 * - candidate default

IP Route Table for VRF "L3VRF1"

C 11.11.11.0/24 is directly connected, irb1001, 00:13:19
 C 21.21.21.0/24 is directly connected, irb2001, 00:12:56
 C 127.0.0.0/8 is directly connected, lo.L3VRF1, 00:17:13

Gateway of last resort is not set

VTEP1#show ipv6 route vrf L3VRF1

IPv6 Routing Table

Codes: K - kernel route, C - connected, S - static, D- DHCP, R - RIP,
 O - OSPF, IA - OSPF inter area, E1 - OSPF external type 1,
 E2 - OSPF external type 2, E - EVPN N1 - OSPF NSSA external type 1,
 N2 - OSPF NSSA external type 2, i - IS-IS, B - BGP,
 v - vrf leaked

Timers: Uptime

IP Route Table for VRF "L3VRF1"

C ::1/128 via ::, lo.L3VRF1, 00:17:23
 C 1111::/64 via ::, irb1001, 00:13:29
 C 2121::/64 via ::, irb2001, 00:13:06
 C fe80::/64 via ::, irb2001, 00:13:06

VTEP1#show interface ce52 counters queue-stats

E - Egress, I - Ingress, Q-Size is in bytes

Queue/Class-map	Q-Size	Tx pkts	Tx bytes	Dropped pkts
q0	(E) 125304832	0	0	0
q1	(E) 125304832	0	0	0
q2	(E) 125304832	0	0	0
q3	(E) 125304832	0	0	0
q4	(E) 125304832	0	0	0
q5	(E) 125304832	0	0	0
q6	(E) 125304832	0	0	0
q7	(E) 125304832	0	0	0

VTEP1#show nvo vxlan l3vni-map

L3VNI L2VNI IRB-interface
 =====

```
1000      101      irb1001
1000      201      irb2001
```

VTEP1#show qos-profile DSCP_QUEUE

```
profile name: DSCP_QUEUE
profile type: dscp-to-queue
profile attached to 1 instances
configured mapping:
  dscp 20 queue 4
Detailed mapping:
```

INPUT				OUTPUT				INPUT				OUTPUT			
DSCP		Queue		Color		Out DSCP		DSCP		Queue		Color		Out DSCP	
DSCP	Queue	Color	Out DSCP	DSCP	Queue	Color	Out DSCP	DSCP	Queue	Color	Out DSCP	DSCP	Queue	Color	Out DSCP
0	0	green	0	16	2	green	16	32	4						
green	32	48	6	green	48										
1	0	green	1	17	2	green	17	33	4						
green	33	49	6	green	49										
2	0	green	2	18	2	green	18	34	4						
green	34	50	6	green	50										
3	0	green	3	19	2	green	19	35	4						
green	35	51	6	green	51										
4	0	green	4	20	4	yellow	20	36	4						
yellow	36	52	6	green	52										
5	0	green	5	21	2	green	21	37	4						
green	37	53	6	green	53										
6	0	green	6	22	2	yellow	22	38	4						
yellow	38	54	6	green	54										
7	0	green	7	23	2	green	23	39	4						
green	39	55	6	green	55										
8	1	green	8	24	3	green	24	40	5						
green	40	56	7	green	56										
9	1	green	9	25	3	green	25	41	5						
green	41	57	7	green	57										
10	1	green	10	26	3	green	26	42	5						
green	42	58	7	green	58										
11	1	green	11	27	3	green	27	43	5						
green	43	59	7	green	59										
12	1	yellow	12	28	3	yellow	28	44	5						
green	44	60	7	green	60										
13	1	green	13	29	3	green	29	45	5						
green	45	61	7	green	61										
14	1	yellow	14	30	3	yellow	30	46	5						
green	46	62	7	green	62										
15	1	green	15	31	3	green	31	47	5						
green	47	63	7	green	63										

```
VTEP1#show qos-profile interface irb2001
profile name: DSCP_QUEUE
```

profile type: dscp-to-queue (Ingress)

mapping:

INPUT OUTPUT				INPUT OUTPUT				INPUT OUTPUT			
DSCP Queue	Color	Out DSCP	DSCP Queue	Color	Out DSCP	DSCP Queue	Color	Out DSCP	DSCP Queue	Color	Out DSCP
0	0	green	0	6	16	2	green	16	32	4	
green	32	48	6	green	2	48	green	16	32	4	
1	0	green	1	6	17	2	green	17	33	4	
green	33	49	6	green	2	49	green	17	33	4	
2	0	green	2	6	18	2	green	18	34	4	
green	34	50	6	green	2	50	green	18	34	4	
3	0	green	3	6	19	2	green	19	35	4	
green	35	51	6	green	2	51	green	19	35	4	
4	0	green	4	6	20	4	yellow	20	36	4	
yellow	36	52	6	green	4	52	yellow	20	36	4	
5	0	green	5	6	21	2	green	21	37	4	
green	37	53	6	green	2	53	green	21	37	4	
6	0	green	6	6	22	2	yellow	22	38	4	
yellow	38	54	6	green	2	54	yellow	22	38	4	
7	0	green	7	6	23	2	green	23	39	4	
green	39	55	6	green	2	55	green	23	39	4	
8	1	green	8	7	24	3	green	24	40	5	
green	40	56	7	green	3	56	green	24	40	5	
9	1	green	9	7	25	3	green	25	41	5	
green	41	57	7	green	3	57	green	25	41	5	
10	1	green	10	7	26	3	green	26	42	5	
green	42	58	7	green	3	58	green	26	42	5	
11	1	green	11	7	27	3	green	27	43	5	
green	43	59	7	green	3	59	green	27	43	5	
12	1	yellow	12	7	28	3	yellow	28	44	5	
green	44	60	7	green	3	60	yellow	28	44	5	
13	1	green	13	7	29	3	green	29	45	5	
green	45	61	7	green	3	61	green	29	45	5	
14	1	yellow	14	7	30	3	yellow	30	46	5	
green	46	62	7	green	3	62	yellow	30	46	5	
15	1	green	15	7	31	3	green	31	47	5	
green	47	63	7	green	3	63	green	31	47	5	

VTEP2

VTEP2#show running-config qos

qos enable

!

qos profile dscp-to-queue DSCP_QUEUE

dscp 20 queue 4

!

!

!

```

!
interface irb2001
  qos map-profile dscp-to-queue DSCP_QUEUE
!
VTEP2#show running-config nvo vxlan
!
nvo vxlan enable
!
nvo vxlan irb
!
evpn esi hold-time 90
!
evpn vxlan multihoming enable
!
evpn irb-forwarding anycast-gateway-mac 0000.0000.1111
!
nvo vxlan vtep-ip-global 2.2.2.2
!
nvo vxlan id 101 ingress-replication inner-vid-disabled
  vxlan host-reachability-protocol evpn-bgp L2VRF1
  evpn irb1001
  vni-name VNI-101
!
nvo vxlan id 201 ingress-replication inner-vid-disabled
  vxlan host-reachability-protocol evpn-bgp L2VRF2
  evpn irb2001
  vni-name VNI-201
!
nvo vxlan access-if port-vlan po1 10
  map vnid 101
  mac 0000.2222.1010 ip 11.11.11.51
!
nvo vxlan access-if port-vlan po1 20
  map vnid 201
  mac 0000.2222.1020 ip 21.21.21.51
!
!
VTEP2#show nvo vxlan tunnel
VXLAN Network tunnel Entries
Source          Destination      Status           Up/Down          Update
=====
2.2.2.2         4.4.4.4         Installed        01:13:43        01:13:43
2.2.2.2         1.1.1.1         Installed        01:13:43        01:13:43
2.2.2.2         5.5.5.5         Installed        01:13:43        01:13:43

Total number of entries are 3
VTEP2#show nvo vxlan
VXLAN Information
=====
Codes: NW - Network Port

```

VXLAN-EVPN with IRB QoS

AC - Access Port
(u) - Untagged

VNID	VNI-Name	VNI-Type	Type	Interface	ESI	VLAN	DF-Status
Src-Addr	Dst-Addr						
101	VNI-101	L2	NW	----	----	----	----
2.2.2.2	4.4.4.4						
101	VNI-101	L2	NW	----	----	----	----
2.2.2.2	1.1.1.1						
101	VNI-101	L2	NW	----	----	----	----
2.2.2.2	5.5.5.5						
101	VNI-101	--	AC	po1	00:00:00:00:00:22:22:00:00:00	10	NON-DF
----	----						
201	VNI-201	L2	NW	----	----	----	----
2.2.2.2	4.4.4.4						
201	VNI-201	L2	NW	----	----	----	----
2.2.2.2	1.1.1.1						
201	VNI-201	L2	NW	----	----	----	----
2.2.2.2	5.5.5.5						
201	VNI-201	--	AC	po1	00:00:00:00:00:22:22:00:00:00	20	NON-DF
----	----						

Total number of entries are 8

VTEP2#show nvo vxlan arp-cache

VXLAN ARP-CACHE Information

=====

VNID	Ip-Addr	Mac-Addr	Type	Age-Out	Retries-Left
201	21.21.21.51	0000.2222.1020	Static Local	----	
201	21.21.21.1	0000.0000.1111	Static Local	----	
201	21.21.21.101	0000.5555.1020	Static Remote	----	
101	11.11.11.51	0000.2222.1010	Static Local	----	
101	11.11.11.10	0010.9400.0002	Dynamic Remote	----	
101	11.11.11.1	0000.0000.1111	Static Local	----	
101	11.11.11.201	0000.4444.1010	Static Remote	----	

Total number of entries are 7

VTEP2#show nvo vxlan nd-cache

VXLAN ND-CACHE Information

=====

VNID	Ip-Addr	Mac-Addr	Type	Age-Out
201	2121::1	0000.0000.1111	Static Local	----
101	1111::10	0010.9400.0002	Dynamic Remote	----
101	1111::1	0000.0000.1111	Static Local	----

Total number of entries are 3

VTEP2#show ipv4 route vrf L3VRF1

Codes: K - kernel, C - connected, S - static, R - RIP, B - BGP

O - OSPF, IA - OSPF inter area

N1 - OSPF NSSA external type 1, N2 - OSPF NSSA external type 2

E1 - OSPF external type 1, E2 - OSPF external type 2
 i - IS-IS, L1 - IS-IS level-1, L2 - IS-IS level-2,
 ia - IS-IS inter area, E - EVPN,
 v - vrf leaked
 * - candidate default

IP Route Table for VRF "L3VRF1"

C 11.11.11.0/24 is directly connected, irb1001, 00:10:20
 C 21.21.21.0/24 is directly connected, irb2001, 00:09:55
 C 127.0.0.0/8 is directly connected, lo.L3VRF1, 00:13:30

Gateway of last resort is not set

VTEP2#show ipv6 route vrf L3VRF1

IPv6 Routing Table

Codes: K - kernel route, C - connected, S - static, D- DHCP, R - RIP,
 O - OSPF, IA - OSPF inter area, E1 - OSPF external type 1,
 E2 - OSPF external type 2, E - EVPN N1 - OSPF NSSA external type 1,
 N2 - OSPF NSSA external type 2, i - IS-IS, B - BGP,
 v - vrf leaked

Timers: Uptime

IP Route Table for VRF "L3VRF1"

C ::1/128 via ::, lo.L3VRF1, 00:13:36
 C 1111::/64 via ::, irb1001, 00:10:26
 C 2121::/64 via ::, irb2001, 00:10:01
 C fe80::/64 via ::, irb2001, 00:10:01

VTEP2#show nvo vxlan l3vni-map

L3VNI	L2VNI	IRB-interface
1000	101	irb1001
1000	201	irb2001

VTEP2#show interface xe29 counters queue-stats

E - Egress, I - Ingress, Q-Size is in bytes

Queue/Class-map	Q-Size	Tx pkts	Tx bytes	Dropped pkts	Dropped bytes
q0	(E) 12517376 0	0	0	0	0
q1	(E) 12517376 0	0	0	0	0
q2	(E) 12517376 0	0	0	0	0
q3	(E) 12517376 0	0	0	0	0
q4	(E) 12517376 2998022	2998045000	2998045000	0	0
q5	(E) 12517376 0	0	0	0	0
q6	(E) 12517376 0	0	0	0	0
q7	(E) 12517376 0	0	0	0	0

VTEP2#show qos-profile DSCP_QUEUE

profile name: DSCP_QUEUE

VXLAN-EVPN with IRB QoS

profile type: dscp-to-queue
 profile attached to 1 instances
 configured mapping:
 dscp 20 queue 4
 Detailed mapping:

INPUT OUTPUT				OUTPUT INPUT				INPUT OUTPUT				INPUT	
DSCP	Queue	Color	Out DSCP	DSCP	Queue	Color	Out DSCP	DSCP	Queue	Color	Out DSCP	DSCP	Queue
0	0	green	0	16	2	green	16	32	4				
green	32		48	6	green	48							
1	0	green	1	17	2	green	17	33	4				
green	33		49	6	green	49							
2	0	green	2	18	2	green	18	34	4				
green	34		50	6	green	50							
3	0	green	3	19	2	green	19	35	4				
green	35		51	6	green	51							
4	0	green	4	20	4	yellow	20	36	4				
yellow	36		52	6	green	52							
5	0	green	5	21	2	green	21	37	4				
green	37		53	6	green	53							
6	0	green	6	22	2	yellow	22	38	4				
yellow	38		54	6	green	54							
7	0	green	7	23	2	green	23	39	4				
green	39		55	6	green	55							
8	1	green	8	24	3	green	24	40	5				
green	40		56	7	green	56							
9	1	green	9	25	3	green	25	41	5				
green	41		57	7	green	57							
10	1	green	10	26	3	green	26	42	5				
green	42		58	7	green	58							
11	1	green	11	27	3	green	27	43	5				
green	43		59	7	green	59							
12	1	yellow	12	28	3	yellow	28	44	5				
green	44		60	7	green	60							
13	1	green	13	29	3	green	29	45	5				
green	45		61	7	green	61							
14	1	yellow	14	30	3	yellow	30	46	5				
green	46		62	7	green	62							
15	1	green	15	31	3	green	31	47	5				
green	47		63	7	green	63							

VTEP2#show qos-profile interface irb2001
 profile name: DSCP_QUEUE
 profile type: dscp-to-queue (Ingress)
 mapping:

INPUT OUTPUT				OUTPUT INPUT				INPUT OUTPUT				INPUT	
--------------	--	--	--	--------------	--	--	--	--------------	--	--	--	-------	--

DSCP Queue	Color	Out DSCP	DSCP	DSCP Queue	Color	Out DSCP	DSCP
0	green	0	6	16	green	16	32
1	green	1	6	17	green	17	33
2	green	2	6	18	green	18	34
3	green	3	6	19	green	19	35
4	yellow	4	6	20	yellow	20	36
5	green	5	6	21	green	21	37
6	yellow	6	6	22	yellow	22	38
7	green	7	6	23	green	23	39
8	green	8	7	24	green	24	40
9	green	9	7	25	green	25	41
10	green	10	7	26	green	26	42
11	green	11	7	27	green	27	43
12	yellow	12	7	28	yellow	28	44
13	green	13	7	29	green	29	45
14	yellow	14	7	30	yellow	30	46
15	green	15	7	31	green	31	47

VTEP4

VTEP4#show nvo vxlan tunnel

VXLAN Network tunnel Entries

Source	Destination	Status	Up/Down	Update
4.4.4.4	2.2.2.2	Installed	01:14:47	01:14:47
4.4.4.4	1.1.1.1	Installed	01:18:35	01:18:35
4.4.4.4	5.5.5.5	Installed	01:18:20	01:18:20

Total number of entries are 3

VTEP4#show nvo vxlan

VXLAN Information

=====

- Codes: NW - Network Port
- AC - Access Port
- (u) - Untagged

VXLAN-EVPN with IRB QoS

VNID	VNI-Name	VNI-Type	Type	Interface	ESI	VLAN	DF-Status
Src-Addr	Dst-Addr						
101	VNI-101	L2	NW	----	----	----	----
4.4.4.4		2.2.2.2					
101	VNI-101	L2	NW	----	----	----	----
4.4.4.4		1.1.1.1					
101	VNI-101	L2	NW	----	----	----	----
4.4.4.4		5.5.5.5					
201	VNI-201	L2	NW	----	----	----	----
4.4.4.4		2.2.2.2					
201	VNI-201	L2	NW	----	----	----	----
4.4.4.4		1.1.1.1					
201	VNI-201	L2	NW	----	----	----	----
4.4.4.4		5.5.5.5					
201	VNI-201	--	AC	xe3	---	Single Homed Port	---
----	----	----				20	----

Total number of entries are 7

VTEP4#show nvo vxlan arp-cache

VXLAN ARP-CACHE Information

=====

VNID	Ip-Addr	Mac-Addr	Type	Age-Out	Retries-Left
201	21.21.21.51	0000.2222.1020	Static Remote	----	
201	21.21.21.1	0000.0000.1111	Static Local	----	
201	21.21.21.101	0000.5555.1020	Static Local	----	
101	11.11.11.51	0000.2222.1010	Static Remote	----	
101	11.11.11.10	0010.9400.0002	Dynamic Remote	----	
101	11.11.11.1	0000.0000.1111	Static Local	----	
101	11.11.11.201	0000.4444.1010	Static Remote	----	

Total number of entries are 7

VTEP4#show nvo vxlan nd-cache

VXLAN ND-CACHE Information

=====

VNID	Ip-Addr	Mac-Addr	Type	Age-Out
201	2121::1	0000.0000.1111	Static Local	----
101	1111::10	0010.9400.0002	Dynamic Remote	----
101	1111::1	0000.0000.1111	Static Local	----

Total number of entries are 3

VTEP4#show ipv4 route vrf L3VRF1

Codes: K - kernel, C - connected, S - static, R - RIP, B - BGP

O - OSPF, IA - OSPF inter area

N1 - OSPF NSSA external type 1, N2 - OSPF NSSA external type 2

E1 - OSPF external type 1, E2 - OSPF external type 2

i - IS-IS, L1 - IS-IS level-1, L2 - IS-IS level-2,

ia - IS-IS inter area, E - EVPN,

v - vrf leaked

* - candidate default

IP Route Table for VRF "L3VRF1"

```
C          11.11.11.0/24 is directly connected, irb1001, 00:07:24
C          21.21.21.0/24 is directly connected, irb2001, 00:07:14
C          127.0.0.0/8 is directly connected, lo.L3VRF1, 00:10:16
```

Gateway of last resort is not set

VTEP4#show ipv6 route vrf L3VRF1

IPv6 Routing Table

Codes: K - kernel route, C - connected, S - static, D- DHCP, R - RIP,
 O - OSPF, IA - OSPF inter area, E1 - OSPF external type 1,
 E2 - OSPF external type 2, E - EVPN N1 - OSPF NSSA external type 1,
 N2 - OSPF NSSA external type 2, i - IS-IS, B - BGP,
 v - vrf leaked

Timers: Uptime

IP Route Table for VRF "L3VRF1"

```
C          ::1/128 via ::, lo.L3VRF1, 00:10:21
C          1111::/64 via ::, irb1001, 00:07:29
C          2121::/64 via ::, irb2001, 00:07:19
C          fe80::/64 via ::, irb2001, 00:07:19
```

VTEP4#show nvo vxlan l3vni-map

L3VNI	L2VNI	IRB-interface
1000	101	irb1001
1000	201	irb2001

VTEP5

VTEP5#show running-config qos

```
qos enable
!
qos profile queue-color-to-cos QUEUE_COS
  queue 2 color all cos 6
!
qos profile dscp-to-queue DSCP_QUEUE
  dscp 34 queue 2
!
!
```

VTEP5#show running-config nvo vxlan

```
!
nvo vxlan enable
!
nvo vxlan irb
!
evpn vxlan multihoming enable
!
evpn irb-forwarding anycast-gateway-mac 0000.0000.1111
```

VXLAN-EVPN with IRB QoS

```

!
nvo vxlan vtep-ip-global 5.5.5.5
!
nvo vxlan tunnel qos-map-mode cos-dscp ingress DSCP_QUEUE
!
nvo vxlan id 101 ingress-replication inner-vid-disabled
  vxlan host-reachability-protocol evpn-bgp L2VRF1
  evpn irb1001
  vni-name VNI-101
!
nvo vxlan id 201 ingress-replication inner-vid-disabled
  vxlan host-reachability-protocol evpn-bgp L2VRF2
  evpn irb2001
  vni-name VNI-201
!
nvo vxlan access-if port-vlan xe1 10
  map vnid 101
  mac 0000.4444.1010 ip 11.11.11.201
  map qos-profile queue-color-to-cos QUEUE_COS
!
!

```

VTEP5#show nvo vxlan tunnel

VXLAN Network tunnel Entries

Source	Destination	Status	Up/Down	Update
5.5.5.5	2.2.2.2	Installed	01:11:17	01:11:17
5.5.5.5	4.4.4.4	Installed	01:14:50	01:14:50
5.5.5.5	1.1.1.1	Installed	01:14:50	01:14:50

Total number of entries are 3

VTEP5#sh nvo vxlan

VXLAN Information

=====

Codes: NW - Network Port
 AC - Access Port
 (u) - Untagged

VNID	VNI-Name	VNI-Type	Type	Interface	ESI	VLAN	DF-Status
Src-Addr	Dst-Addr						
101	VNI-101	L2	NW	----	----	----	----
5.5.5.5	2.2.2.2						
101	VNI-101	L2	NW	----	----	----	----
5.5.5.5	4.4.4.4						
101	VNI-101	L2	NW	----	----	----	----
5.5.5.5	1.1.1.1						
101	VNI-101	--	AC	xe1	---	Single Homed Port	---
----	----					10	----
201	VNI-201	L2	NW	----	----	----	----
5.5.5.5	2.2.2.2						

```

201      VNI-201      L2      NW      ----      ----      ----      ----
5.5.5.5      4.4.4.4
201      VNI-201      L2      NW      ----      ----      ----      ----
5.5.5.5      1.1.1.1
  
```

Total number of entries are 7
VTEP5#show nvo vxlan arp-cache
VXLAN ARP-CACHE Information
=====

VNID	Ip-Addr	Mac-Addr	Type	Age-Out	Retries-Left
201	21.21.21.51	0000.2222.1020	Static Remote	----	
201	21.21.21.1	0000.0000.1111	Static Local	----	
201	21.21.21.101	0000.5555.1020	Static Remote	----	
101	11.11.11.51	0000.2222.1010	Static Remote	----	
101	11.11.11.10	0010.9400.0002	Dynamic Local	----	
101	11.11.11.1	0000.0000.1111	Static Local	----	
101	11.11.11.201	0000.4444.1010	Static Local	----	

Total number of entries are 7
VTEP5#show nvo vxlan nd-cache
VXLAN ND-CACHE Information
=====

VNID	Ip-Addr	Mac-Addr	Type	Age-Out	Retries-Left
201	2121:::1	0000.0000.1111	Static Local	----	
101	1111:::10	0010.9400.0002	Dynamic Local	----	
101	1111:::1	0000.0000.1111	Static Local	----	

Total number of entries are 3

VTEP5#show ipv4 route vrf L3VRF1
Codes: K - kernel, C - connected, S - static, R - RIP, B - BGP
O - OSPF, IA - OSPF inter area
N1 - OSPF NSSA external type 1, N2 - OSPF NSSA external type 2
E1 - OSPF external type 1, E2 - OSPF external type 2
i - IS-IS, L1 - IS-IS level-1, L2 - IS-IS level-2,
ia - IS-IS inter area, E - EVPN,
v - vrf leaked
* - candidate default

IP Route Table for VRF "L3VRF1"

```

C          11.11.11.0/24 is directly connected, irb1001, 00:05:08
C          21.21.21.0/24 is directly connected, irb2001, 00:04:57
C          127.0.0.0/8 is directly connected, lo.L3VRF1, 00:07:30
  
```

Gateway of last resort is not set

VTEP5#show ipv6 route vrf L3VRF1

IPv6 Routing Table

Codes: K - kernel route, C - connected, S - static, D- DHCP, R - RIP,
O - OSPF, IA - OSPF inter area, E1 - OSPF external type 1,
E2 - OSPF external type 2, E - EVPN N1 - OSPF NSSA external type 1,

VXLAN-EVPN with IRB QoS

N2 - OSPF NSSA external type 2, i - IS-IS, B - BGP,
v - vrf leaked

Timers: Uptime

IP Route Table for VRF "L3VRF1"

```
C      ::1/128 via ::, lo.L3VRF1, 00:07:35
C      1111::/24 via ::, irb1001, 00:05:13
C      2121::/64 via ::, irb2001, 00:05:02
C      fe80::/64 via ::, irb2001, 00:05:02
```

VTEP5#show nvo vxlan l3vni-map

L3VNI	L2VNI	IRB-interface
1000	101	irb1001
1000	201	irb2001

VTEP5#show interface xel counters queue-stats

E - Egress, I - Ingress, Q-Size is in bytes

Queue/Class-map	Q-Size	Tx pkts	Tx bytes	Dropped pkts	Dropped bytes
q0	(E) 12517376 0	0	0	0	0
q1	(E) 12517376 0	0	0	0	0
q2	(E) 12517376 1170696	1224549062	1224549062	0	0
q3	(E) 12517376 0	0	0	0	0
q4	(E) 12517376 0	0	0	0	0
q5	(E) 12517376 0	0	0	0	0
q6	(E) 12517376 0	0	0	0	0
q7	(E) 12517376 0	0	0	0	0

VTEP5#show qos-profile QUEUE_COS

profile name: QUEUE_COS
profile type: queue-color-to-cos
profile attached to 1 instances
configured mapping:
queue 2 color all cos 6

Detailed mapping:

INPUT			OUTPUT			INPUT			OUTPUT		
Queue	Color	COS	Queue	Color	COS	Queue	Color	COS	Queue	Color	COS
0	green	0	0	yellow	0	0	red	0	0	red	0
1	green	1	1	yellow	1	1	red	1	1	red	1
2	green	6	2	yellow	6	2	red	6	2	red	6
3	green	3	3	yellow	3	3	red	3	3	red	3
4	green	4	4	yellow	4	4	red	4	4	red	4
5	green	5	5	yellow	5	5	red	5	5	red	5
6	green	6	6	yellow	6	6	red	6	6	red	6

7 green 7 | 7 yellow 7 | 7 red 7

VTEP5#show qos-profile DSCP_QUEUE

profile name: DSCP_QUEUE

profile type: dscp-to-queue

profile attached to 1 instances

configured mapping:

dscp 34 queue 2

Detailed mapping:

-----+-----				-----+-----				-----+-----			
-----+-----				-----+-----				-----+-----			
INPUT		OUTPUT		INPUT		OUTPUT		INPUT		OUTPUT	
OUTPUT		INPUT		OUTPUT		INPUT		OUTPUT		INPUT	
-----+-----				-----+-----				-----+-----			
-----+-----				-----+-----				-----+-----			
DSCP	Queue	Color	Out DSCP	DSCP	Queue	Color	Out DSCP	DSCP	Queue	Color	Out DSCP
Queue	Color	Out DSCP	DSCP	Queue	Color	Out DSCP	DSCP	Queue	Color	Out DSCP	DSCP
-----+-----				-----+-----				-----+-----			
-----+-----				-----+-----				-----+-----			
0	0	green	0	16	2	green	16	32	4		
green	32	48	6	green	2	48					
1	0	green	1	17	2	green	17	33	4		
green	33	49	6	green	2	49					
2	0	green	2	18	2	green	18	34	2		
green	34	50	6	green	2	50					
3	0	green	3	19	2	green	19	35	4		
green	35	51	6	green	2	51					
4	0	green	4	20	2	yellow	20	36	4		
yellow	36	52	6	green	2	52					
5	0	green	5	21	2	green	21	37	4		
green	37	53	6	green	2	53					
6	0	green	6	22	2	yellow	22	38	4		
yellow	38	54	6	green	2	54					
7	0	green	7	23	2	green	23	39	4		
green	39	55	6	green	2	55					
8	1	green	8	24	3	green	24	40	5		
green	40	56	7	green	3	56					
9	1	green	9	25	3	green	25	41	5		
green	41	57	7	green	3	57					
10	1	green	10	26	3	green	26	42	5		
green	42	58	7	green	3	58					
11	1	green	11	27	3	green	27	43	5		
green	43	59	7	green	3	59					
12	1	yellow	12	28	3	yellow	28	44	5		
green	44	60	7	green	3	60					
13	1	green	13	29	3	green	29	45	5		
green	45	61	7	green	3	61					
14	1	yellow	14	30	3	yellow	30	46	5		
green	46	62	7	green	3	62					
15	1	green	15	31	3	green	31	47	5		
green	47	63	7	green	3	63					

Distributed Gateway

In distributed gateway approach, VTEP will act as default gateways for one or more VNIDs, Each VTEP having its own default gateway IP and MAC configuration for a given VNID.

IRB QoS Configuration for Distributed

Configure from Base Configuration-L2 VXLAN section, then configure below commands for centralized distributed approach.

Note: For L3 traffic, when l3vni is sent in the traffic, then dscp-to-queue qos profile mapped at tunnel ingress takes effect.

VTEP4

Unconfigure vnid 101 from nvo vxlan.

(config)#nvo vxlan irb	Enable VXLAN irb
(config)#ip vrf L3VRF1	Create mac routing/forwarding instance with L3VRF1 name and enter into vrf mode
(config-vrf)#rd 41000:11	Assign RD value
(config-vrf)# route-target both 100:100	Assign route-target value for same for import and export.
(config-vrf)# l3vni 1000	Configure L3VNI as 1000 for L3VRF1
(config-vrf)#exit	Exit from vrf mode
(config)# interface irb2001	Configure IRB interface 2001
(config-if)ip vrf forwarding L3VRF1	Configure L3VRF1
(config-if)ip address 21.21.21.1/24	Configure ip address
(config-if)ipv6 address 2121::1/64	Configure ipv6 address
(config-if)exit	Exit from interface config mode
(config)router bgp 5000	Enter into bgp router mode
(config-router)#address-family ipv4 vrf L3VRF1	Enter into address-family mode for L3VRF1
(config-router-af)#redistribute connected	Redistribute connected
(config-router-af)#exit-address-family	Exit form address-family
(config-router)#address-family ipv6 vrf L3VRF1	Enter into address-family mode for L3VRF1
(config-router-af)#redistribute connected	Redistribute connected
(config-router-af)#exit-address-family	Exit form address-family
(config)#nvo vxlan id 201 ingress-replication inner-vid-disabled	Configure VXLAN Network identifier with/without inner-vid-disabled configure and enter into VXLAN tenant mode
(config-nvo)#vxlan host-reachability-protocol evpn-bgp L2VRF2	Assign vrf for evpn-bgp to carry EVPN route
(config-nvo)# evpn irb2001	Configure irb2001 under vxlan id 201
(config-nvo)#exit	Exit from VXLAN tenant mode and enter into configuration mode.

(config)#qos remark dscp	Enable qos dscp remark for dscp-to-dscp mapping if required
(config)#qos profile dscp-to-queue DSCP_QUEUE	Configure qos profile to remark at vxlan ingress tunnel. Here dscp to <queue, dscp> is not applicable. I.e ingress remarking of dscp at the ingress tunnel is not applicable.
(config-ingress-dscp-map)#dscp 56 queue 6	Configure particular outer dscp value to queue value. Here classification at the ingress vtep is based on overlay dscp value
(config-ingress-dscp-map)#exit	Exit from qos profile config mode
(config-egress-dscp-map)#dscp 20 dscp 32	Configure particular dscp value to dscp value
(config-egress-dscp-map)#exit	Exit from qos profile config mode
(config)#qos profile queue-color-to-cos QUEUE_COS	Configure qos profile for remark at vxlan access-if
(config-egress-cos-map)#queue 6 cos 2	Configure particular queue value to COS value
(config-egress-cos-map)#exit	Exit from qos profile config mode
(config)#nvo vxlan tunnel qos-map-mode cos- dscp ingress DSCP_QUEUE	Map the qos profile to vxlan tunnel ingress
(config)#nvo vxlan access-if port-vlan xe3 20	Enter vxlan access-if mode
(config-nvo-acc-if)#map qos-profile queue- color-to-cos QUEUE_COS	Map qos profile
(config-nvo-acc-if)#commit	Commit the candidate configuration to the running configuration
(config-nvo-acc-if)#end	Exit from global configuration mode

VTEP5

Unconfigure vniid 201 from nvo vxlan.

(config)#nvo vxlan irb	Enable VXLAN IRB
(config)#ip vrf L3VRF1	Create mac routing/forwarding instance with L3VRF1 name and enter into vrf mode
(config-vrf)#rd 51000:11	Assign RD value
(config-vrf)# route-target both 100:100	Assign route-target value for same for import and export.
(config-vrf)# l3vni 1000	Configure L3VNI as 1000 for L3VRF1
(config-vrf)#exit	Exit from vrf mode
(config)# interface irb1001	Configure IRB interface 1001
(config-if)ip vrf forwarding L3VRF1	Configure L3VRF1
(config-if)ip address 11.11.11.1/24	Configure ip address
(config-if)ipv6 address 1111::1/64	Configure ipv6 address
(config-if)exit	Exit from interface config mode
(config)router bgp 5000	Enter into bgp router mode
(config-router)#address-family ipv4 vrf L3VRF1	Enter into address-family mode for L3VRF1
(config-router-af)#redistribute connected	Redistribute connected
(config-router-af)#exit-address-family	Exit form address-family

(config-router)#address-family ipv6 vrf L3VRF1	Enter into address-family mode for L3VRF1
(config-router-af)#redistribute connected	Redistribute connected
(config-router-af)#exit-address-family	Exit form address-family
(config)# nvo vxlan id 101 ingress-replication inner-vid-disabled	Configure VXLAN Network identifier with/without inner-vid-disabled configure and enter into VXLAN tenant mode
(config-nvo)#vxlan host-reachability-protocol evpn-bgp L2VRF1	Assign vrf for evpn-bgp to carry EVPN route
(config-nvo)# evpn irb1001	Configure irb1001 under vxlan id 101
(config-nvo)#exit	Exit from VXLAN tenant mode and enter into configuration mode.
(config)#qos profile dscp-to-queue DSCP_QUEUE	Configure qos profile for dscp to queue for ingress traffic
(config-ingress-dscp-map)# dscp 20 queue 4	Configure particular dscp value to queue value
(config)#interface irb1001	Enter IRB L3 interface
(config-irb-if)#qos map-profile dscp-to-queue DSCP_QUEUE	Map qos profile
(config-irb-if)#commit	Commit the candidate configuration to the running configuration
(config-irb-if)#end	Exit from global conf mode

Validations

Send traffic from TS1-11 to VTEP5 access-if with dscp value 20 COS value 1(vlan10) and verify traffic received at TS2-21 with dscp value 32 and COS value 2(vlan20) at the VTEP4 access-if.

VTEP5

```
VTEP5#show running-config qos
qos enable
!
qos profile dscp-to-queue DSCP_QUEUE
  dscp 20 queue 4
!
!
!
!
interface irb1001
  qos map-profile dscp-to-queue DSCP_QUEUE
!
VTEP5#show run nvo vxlan
!
nvo vxlan enable
!
nvo vxlan irb
!
evpn vxlan multihoming enable
!
```

```
nvo vxlan vtep-ip-global 5.5.5.5
!
nvo vxlan id 101 ingress-replication inner-vid-disabled
  vxlan host-reachability-protocol evpn-bgp L2VRF1
  evpn irb1001
  vni-name VNI-101
!
nvo vxlan id 201 ingress-replication inner-vid-disabled
  vxlan host-reachability-protocol evpn-bgp L2VRF2
  vni-name VNI-201
!
nvo vxlan access-if port-vlan xe1 10
  map vnid 101
  mac 0000.4444.1010 ip 11.11.11.201
!
!
```

```
VTEP5#show nvo vxlan tunnel
VXLAN Network tunnel Entries
Source          Destination      Status           Up/Down          Update
=====
5.5.5.5         2.2.2.2         Installed        00:29:54         00:29:54
5.5.5.5         4.4.4.4         Installed        00:29:54         00:29:54
5.5.5.5         1.1.1.1         Installed        00:29:54         00:29:54
```

Total number of entries are 3

```
VTEP5#show nvo vxlan
VXLAN Information
=====
```

```
Codes: NW - Network Port
       AC - Access Port
       (u) - Untagged
```

VNID	VNI-Name	VNI-Type	Type	Interface	ESI	VLAN	DF-Status
Src-Addr	Dst-Addr						
101	VNI-101	L2	NW	----	----		
5.5.5.5		2.2.2.2					
101	VNI-101	L2	NW	----	----		
5.5.5.5		4.4.4.4					
101	VNI-101	L2	NW	----	----		
5.5.5.5		1.1.1.1					
101	VNI-101	--	AC	xe1	---	Single Homed Port	---
----	----					10	----
201	VNI-201	L2	NW	----	----		
5.5.5.5		2.2.2.2					
201	VNI-201	L2	NW	----	----		
5.5.5.5		4.4.4.4					
201	VNI-201	L2	NW	----	----		
5.5.5.5		1.1.1.1					
1000	----	L3	NW	----	----		
5.5.5.5		4.4.4.4					

VXLAN-EVPN with IRB QoS

Total number of entries are 8

VTEP5#show nvo vxlan arp-cache

VXLAN ARP-CACHE Information

```
=====
VNID      Ip-Addr      Mac-Addr      Type      Age-Out      Retries-Left
-----
201       21.21.21.51  0000.2222.1020 Static Remote ----
201       21.21.21.1   3c2c.991a.da7a Static Remote ----
201       21.21.21.101 0000.5555.1020 Static Remote ----
101       11.11.11.51  0000.2222.1010 Static Remote ----
101       11.11.11.1   04f8.f82f.8eee Static Local  ----
101       11.11.11.201 0000.4444.1010 Static Local  ----
```

Total number of entries are 6

VTEP5#show nvo vxlan nd-cache

VXLAN ND-CACHE Information

```
=====
VNID      Ip-Addr      Mac-Addr      Type      Age-Out
Retries-Left
-----
201       2121:::1    3c2c.991a.da7a Static Remote ----
101       1111:::1    04f8.f82f.8eee Static Local  ----
```

Total number of entries are 2

VTEP5#show nvo vxlan l3vni-map

```
L3VNI      L2VNI      IRB-interface
=====
1000       101        irb1001
```

VTEP5#show ipv4 route vrf L3VRF1

Codes: K - kernel, C - connected, S - static, R - RIP, B - BGP

O - OSPF, IA - OSPF inter area

N1 - OSPF NSSA external type 1, N2 - OSPF NSSA external type 2

E1 - OSPF external type 1, E2 - OSPF external type 2

i - IS-IS, L1 - IS-IS level-1, L2 - IS-IS level-2,

ia - IS-IS inter area, E - EVPN,

v - vrf leaked

* - candidate default

IP Route Table for VRF "L3VRF1"

```
B          4.4.4.4/32 [0/0] is directly connected, tunvxlan1000, 00:04:09
C          11.11.11.0/24 is directly connected, irb1001, 00:02:38
B          21.21.21.0/24 [200/0] via 4.4.4.4 (recursive is directly connected,
tunvxlan1000), 00:04:09
C          127.0.0.0/8 is directly connected, lo.L3VRF1, 00:04:46
```

Gateway of last resort is not set

VTEP5#show ipv6 route vrf L3VRF1

IPv6 Routing Table

Codes: K - kernel route, C - connected, S - static, D- DHCP, R - RIP,

O - OSPF, IA - OSPF inter area, E1 - OSPF external type 1,

E2 - OSPF external type 2, E - EVPN N1 - OSPF NSSA external type 1,

N2 - OSPF NSSA external type 2, i - IS-IS, B - BGP,
v - vrf leaked

Timers: Uptime

IP Route Table for VRF "L3VRF1"

```
C      ::1/128 via ::, lo.L3VRF1, 00:04:50
B      ::ffff:404:404/128 [0/0] via ::, tunvxlan1000, 00:04:13
C      1111::/64 via ::, irb1001, 00:02:42
B      2121::/64 [200/0] via ::ffff:404:404 (recursive via ::, unknown), 00:04:13
C      fe80::/64 via ::, irb1001, 00:02:42
```

VTEP5#show interface ce53 counter queue-stats

E - Egress, I - Ingress, Q-Size is in bytes

Queue/Class-map	Q-Size	Tx pkts	Tx bytes	Dropped pkts	Dropped bytes
q0	(E) 50069504	0	0	0	0
q1	(E) 50069504	0	0	0	0
q2	(E) 50069504	0	0	0	0
q3	(E) 50069504	0	0	0	0
q4	(E) 50069504	498796	698314400	0	0
q5	(E) 50069504	0	0	0	0
q6	(E) 50069504	0	0	0	0
q7	(E) 50069504	0	0	0	0

VTEP5#show qos-profile DSCP_QUEUE

```
profile name: DSCP_QUEUE
profile type: dscp-to-queue
profile attached to 1 instances
configured mapping:
  dscp 20 queue 4
Detailed mapping:
```

INPUT	OUTPUT	INPUT	OUTPUT	INPUT	OUTPUT
Queue	Color	Queue	Color	Queue	Color
0	green	16	green	32	green
1	green	17	green	33	green
2	green	18	green	34	green
3	green	19	green	35	green

VXLAN-EVPN with IRB QoS

4	0	green	4	6	20	4	yellow	20	36	4
yellow	36		52	6	green	52				
5	0	green	5	6	21	2	green	21	37	4
green	37		53	6	green	53				
6	0	green	6	6	22	2	yellow	22	38	4
yellow	38		54	6	green	54				
7	0	green	7	6	23	2	green	23	39	4
green	39		55	6	green	55				
8	1	green	8	7	24	3	green	24	40	5
green	40		56	7	green	56				
9	1	green	9	7	25	3	green	25	41	5
green	41		57	7	green	57				
10	1	green	10	7	26	3	green	26	42	5
green	42		58	7	green	58				
11	1	green	11	7	27	3	green	27	43	5
green	43		59	7	green	59				
12	1	yellow	12	7	28	3	yellow	28	44	5
green	44		60	7	green	60				
13	1	green	13	7	29	3	green	29	45	5
green	45		61	7	green	61				
14	1	yellow	14	7	30	3	yellow	30	46	5
green	46		62	7	green	62				
15	1	green	15	7	31	3	green	31	47	5
green	47		63	7	green	63				

VTEP5#show qos-profile interface irb1001

profile name: DSCP_QUEUE

profile type: dscp-to-queue (Ingress)

mapping:

INPUT		OUTPUT		INPUT		OUTPUT		INPUT	
OUTPUT			INPUT	OUTPUT			OUTPUT		INPUT
0	0	green	0	16	2	green	16	32	4
green	32		48	6	green	48			
1	0	green	1	17	2	green	17	33	4
green	33		49	6	green	49			
2	0	green	2	18	2	green	18	34	4
green	34		50	6	green	50			
3	0	green	3	19	2	green	19	35	4
green	35		51	6	green	51			
4	0	green	4	20	4	yellow	20	36	4
yellow	36		52	6	green	52			
5	0	green	5	21	2	green	21	37	4
green	37		53	6	green	53			
6	0	green	6	22	2	yellow	22	38	4
yellow	38		54	6	green	54			
7	0	green	7	23	2	green	23	39	4
green	39		55	6	green	55			

8	1	green	8	7		24	3	green	24		40	5
green	40		56	7		green	56					
9	1	green	9	7		25	3	green	25		41	5
green	41		57	7		green	57					
10	1	green	10	7		26	3	green	26		42	5
green	42		58	7		green	58					
11	1	green	11	7		27	3	green	27		43	5
green	43		59	7		green	59					
12	1	yellow	12	7		28	3	yellow	28		44	5
green	44		60	7		green	60					
13	1	green	13	7		29	3	green	29		45	5
green	45		61	7		green	61					
14	1	yellow	14	7		30	3	yellow	30		46	5
green	46		62	7		green	62					
15	1	green	15	7		31	3	green	31		47	5
green	47		63	7		green	63					

VTEP4

```

VTEP4#show run qos
qos enable
qos remark dscp
!
!
qos profile queue-color-to-cos QUEUE_COS
  queue 6 color all cos 2
!
qos profile dscp-to-queue DSCP_QUEUE
  dscp 56 queue 6
!
!
!
!
VTEP4#show run nvo vxlan
!
nvo vxlan enable
!
nvo vxlan irb
!
evpn vxlan multihoming enable
!
nvo vxlan vtep-ip-global 4.4.4.4
!
nvo vxlan tunnel qos-map-mode cos-dscp ingress DSCP_QUEUE
!
nvo vxlan id 101 ingress-replication inner-vid-disabled
  vxlan host-reachability-protocol evpn-bgp L2VRF1
  vni-name VNI-101
!
nvo vxlan id 201 ingress-replication inner-vid-disabled
  vxlan host-reachability-protocol evpn-bgp L2VRF2
  evpn irb2001

```

VXLAN-EVPN with IRB QoS

```
vni-name VNI-201
!
nvo vxlan access-if port-vlan xe3 20
  map vnid 201
  mac 0000.5555.1020 ip 21.21.21.101
  map qos-profile queue-color-to-cos QUEUE_COS
!
```

```
VTEP4#show nvo vxlan tunnel
VXLAN Network tunnel Entries
```

Source	Destination	Status	Up/Down	Update
4.4.4.4	2.2.2.2	Installed	00:28:32	00:28:32
4.4.4.4	1.1.1.1	Installed	00:28:38	00:28:38
4.4.4.4	5.5.5.5	Installed	00:28:31	00:28:31

Total number of entries are 3

```
VTEP4#show nvo vxlan
```

VXLAN Information

=====

```
Codes: NW - Network Port
       AC - Access Port
       (u) - Untagged
```

VNID	VNI-Name	VNI-Type	Type	Interface	ESI	VLAN	DF-Status
Src-Addr	Dst-Addr						
101	VNI-101	L2	NW	----	----	----	----
4.4.4.4	2.2.2.2						
101	VNI-101	L2	NW	----	----	----	----
4.4.4.4	1.1.1.1						
101	VNI-101	L2	NW	----	----	----	----
4.4.4.4	5.5.5.5						
201	VNI-201	L2	NW	----	----	----	----
4.4.4.4	2.2.2.2						
201	VNI-201	L2	NW	----	----	----	----
4.4.4.4	1.1.1.1						
201	VNI-201	L2	NW	----	----	----	----
4.4.4.4	5.5.5.5						
201	VNI-201	--	AC	xe3	---	Single Homed Port	---
----	----					20	----
1000	----	L3	NW	----	----	----	----
4.4.4.4	5.5.5.5						

Total number of entries are 8

```
VTEP4#show nvo vxlan arp-cache
```

VXLAN ARP-CACHE Information

=====

VNID	Ip-Addr	Mac-Addr	Type	Age-Out	Retries-Left
201	21.21.21.51	0000.2222.1020	Static Remote	----	
201	21.21.21.1	3c2c.991a.da7a	Static Local	----	

```

201      21.21.21.101      0000.5555.1020 Static Local  ----
101      11.11.11.51        0000.2222.1010 Static Remote ----
101      11.11.11.1         04f8.f82f.8eee Static Remote ----
101      11.11.11.201      0000.4444.1010 Static Remote ----

```

Total number of entries are 6

VTEP4#show nvo vxlan nd-cache

VXLAN ND-CACHE Information

=====

VNID	Ip-Addr	Mac-Addr	Type	Age-Out
Retries-Left				

```

-----
201      2121::1              3c2c.991a.da7a Static Local  ----
101      1111::1              04f8.f82f.8eee Static Remote ----

```

Total number of entries are 2

VTEP4#show ipv4 route vrf L3VRF1

Codes: K - kernel, C - connected, S - static, R - RIP, B - BGP

O - OSPF, IA - OSPF inter area

N1 - OSPF NSSA external type 1, N2 - OSPF NSSA external type 2

E1 - OSPF external type 1, E2 - OSPF external type 2

i - IS-IS, L1 - IS-IS level-1, L2 - IS-IS level-2,

ia - IS-IS inter area, E - EVPN,

v - vrf leaked

* - candidate default

IP Route Table for VRF "L3VRF1"

```

B          5.5.5.5/32 [0/0] is directly connected, tunvxlan1000, 00:01:03
B          11.11.11.0/24 [200/0] via 5.5.5.5 (recursive is directly connected,
tunvxlan1000), 00:01:03
C          21.21.21.0/24 is directly connected, irb2001, 00:03:31
C          127.0.0.0/8 is directly connected, lo.L3VRF1, 00:15:13

```

Gateway of last resort is not set

VTEP4#show ipv6 route vrf L3VRF1

IPv6 Routing Table

Codes: K - kernel route, C - connected, S - static, D- DHCP, R - RIP,

O - OSPF, IA - OSPF inter area, E1 - OSPF external type 1,

E2 - OSPF external type 2, E - EVPN N1 - OSPF NSSA external type 1,

N2 - OSPF NSSA external type 2, i - IS-IS, B - BGP,

v - vrf leaked

Timers: Uptime

IP Route Table for VRF "L3VRF1"

```

C          ::1/128 via ::, lo.L3VRF1, 00:15:18
B          ::ffff:505:505/128 [0/0] via ::, tunvxlan1000, 00:01:08
B          1111::/64 [200/0] via ::ffff:505:505 (recursive via ::, unknown), 00:01:08
C          2121::/64 via ::, irb2001, 00:03:36
C          fe80::/64 via ::, irb2001, 00:03:36

```

VTEP4#show nvo vxlan l3vni-map

L3VNI	L2VNI	IRB-interface
=====		

=====

1000 201 irb2001

VTEP4#show interface xe3 counter queue-stats
 E - Egress, I - Ingress, Q-Size is in bytes

Queue/Class-map	Q-Size	Tx pkts	Tx bytes	Dropped pkts
q0	(E) 12517376 0	0	0	0
q1	(E) 12517376 0	0	0	0
q2	(E) 12517376 0	0	0	0
q3	(E) 12517376 0	0	0	0
q4	(E) 12517376 0	0	0	0
q5	(E) 12517376 0	0	0	0
q6	(E) 12517376 2219303	3209162748	0	0
q7	(E) 12517376 0	0	0	0

VTEP4#show qos-profile QUEUE_COS

profile name: QUEUE_COS
 profile type: queue-color-to-cos
 profile attached to 1 instances
 configured mapping:
 queue 6 color all cos 2

Detailed mapping:

INPUT	OUTPUT	INPUT	OUTPUT	INPUT	OUTPUT
Queue	Color	COS	Queue	Color	COS
0	green	0	0	yellow	0
1	green	1	1	yellow	1
2	green	2	2	yellow	2
3	green	3	3	yellow	3
4	green	4	4	yellow	4
5	green	5	5	yellow	5
6	green	2	6	yellow	2
7	green	7	7	yellow	7

VTEP4#show qos-profile DSCP_QUEUE

profile name: DSCP_QUEUE
 profile type: dscp-to-queue
 profile attached to 1 instances
 configured mapping:
 dscp 56 queue 6

Detailed mapping:

INPUT	OUTPUT	INPUT	OUTPUT	INPUT
OUTPUT	INPUT	OUTPUT	INPUT	OUTPUT

DSCP	Queue	Color	Out DSCP	DSCP	Queue	Color	Out DSCP	DSCP
Queue	Color	Out DSCP	DSCP	Queue	Color	Out DSCP	DSCP	Queue
0	0	green	0	16	2	green	16	32
green	32	48	6	green	48			4
1	0	green	1	17	2	green	17	33
green	33	49	6	green	49			4
2	0	green	2	18	2	green	18	34
green	34	50	6	green	50			4
3	0	green	3	19	2	green	19	35
green	35	51	6	green	51			4
4	0	green	4	20	2	yellow	20	36
yellow	36	52	6	green	52			4
5	0	green	5	21	2	green	21	37
green	37	53	6	green	53			4
6	0	green	6	22	2	yellow	22	38
yellow	38	54	6	green	54			4
7	0	green	7	23	2	green	23	39
green	39	55	6	green	55			4
8	1	green	8	24	3	green	24	40
green	40	56	6	green	56			5
9	1	green	9	25	3	green	25	41
green	41	57	7	green	57			5
10	1	green	10	26	3	green	26	42
green	42	58	7	green	58			5
11	1	green	11	27	3	green	27	43
green	43	59	7	green	59			5
12	1	yellow	12	28	3	yellow	28	44
green	44	60	7	green	60			5
13	1	green	13	29	3	green	29	45
green	45	61	7	green	61			5
14	1	yellow	14	30	3	yellow	30	46
green	46	62	7	green	62			5
15	1	green	15	31	3	green	31	47
green	47	63	7	green	63			5

VTEP4#show qos-profile interface irb2001

profile name: default

profile type: dscp-to-queue (Ingress)

mapping:

INPUT	OUTPUT	INPUT	OUTPUT	INPUT	OUTPUT
OUTPUT	INPUT	OUTPUT	INPUT	OUTPUT	INPUT
DSCP	Queue	Color	Out DSCP	DSCP	Queue
Queue	Color	Out DSCP	DSCP	Queue	Color
0	0	green	0	16	2
green	32	48	6	green	48
				green	16
					32
					4

VXLAN-EVPN with IRB QoS

1	0	green	1		17	2	green	17		33	4
green	33		49	6	green	49					
2	0	green	2		18	2	green	18		34	4
green	34		50	6	green	50					
3	0	green	3		19	2	green	19		35	4
green	35		51	6	green	51					
4	0	green	4		20	2	yellow	20		36	4
yellow	36		52	6	green	52					
5	0	green	5		21	2	green	21		37	4
green	37		53	6	green	53					
6	0	green	6		22	2	yellow	22		38	4
yellow	38		54	6	green	54					
7	0	green	7		23	2	green	23		39	4
green	39		55	6	green	55					
8	1	green	8		24	3	green	24		40	5
green	40		56	7	green	56					
9	1	green	9		25	3	green	25		41	5
green	41		57	7	green	57					
10	1	green	10		26	3	green	26		42	5
green	42		58	7	green	58					
11	1	green	11		27	3	green	27		43	5
green	43		59	7	green	59					
12	1	yellow	12		28	3	yellow	28		44	5
green	44		60	7	green	60					
13	1	green	13		29	3	green	29		45	5
green	45		61	7	green	61					
14	1	yellow	14		30	3	yellow	30		46	5
green	46		62	7	green	62					
15	1	green	15		31	3	green	31		47	5
green	47		63	7	green	63					

CHAPTER 14 EVPN IRB - Anycast Support for Multiple Subnets

Overview

An EVPN-based Integrated Routing and Bridging solution enables communication between two Layer-2 Virtual Network Identifiers (VNIDs) using IP-based Virtual Routing and Forwarding (IP-VRF). This enhancement provides Anycast Gateway Routing support for multiple subnets under the IRB interface (per VNID).

Feature Characteristics

- Connects primary or secondary subnets with either router MAC or anycast MAC address.
- Supports Anycast Gateway for multiple subnets under the layer-2 VNID's.
- Subnets A, B, and C can have Anycast Gateway support, while subnet D is reserved for BGP.
- Supports the Interfacefull model for ARP/ND requests and the interfaceless model using the kernel interface with a unique MAC per interface (Router MAC or Anycast MAC) for all subnets.

ARP/ND replies come from the ARP/ND cache table for host requests. Hosts can send Layer-3 packets with either Anycast MAC or Router MAC, and Layer-3 termination in the VTEP happens for both. By default, each subnet uses the Router MAC in ARP/ND cache. When the anycast argument is configured, it updates the ARP cache with the Anycast MAC. BGP withdraws the Route-Type 2 and update with Anycast/Router MAC to inform the configured gateway for the layer-2 VNID to non-default gateway nodes.

Topology

The procedures in this section use the topology in [Figure 14-15](#).

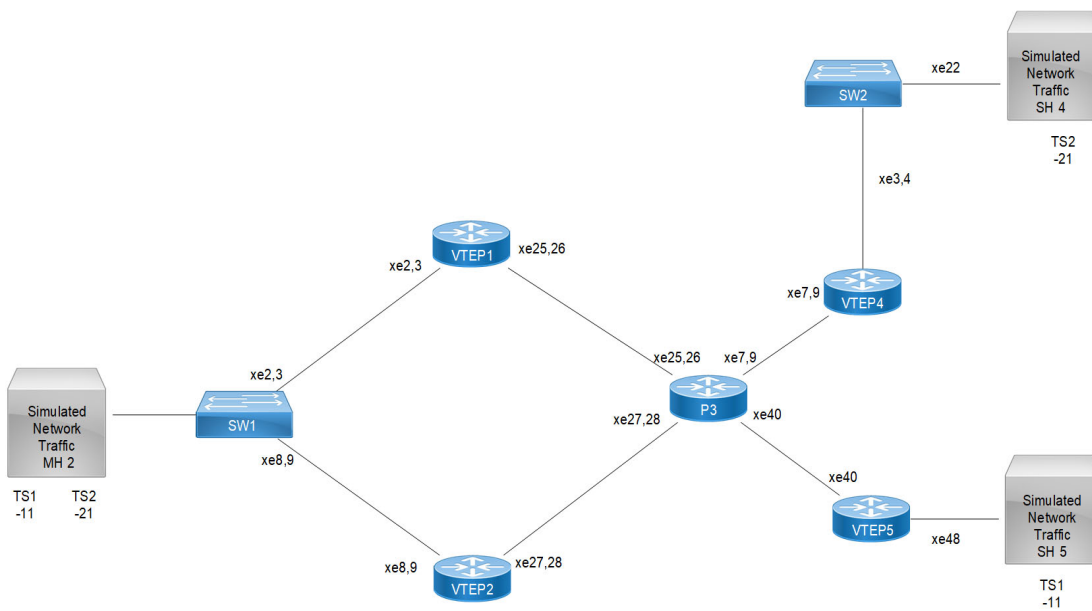


Figure 14-15: EVPN IRB for Multiple Subnets

Note: In the above topology TS1, and TS2 are the tenant systems.

VTEP1: L2 VXLAN configuration

(config)#nvo vxlan enable	Enable VXLAN
(config)#nvo vxlan irb	Enable VXLAN IRB
(config)#evpn esi hold-time 90	Configure ESI hold time to allow tunnel to come up at the time of vxlan initialization before making the ESI up. It should be same on both VTEP1 and VTEP2
(config)#evpn vxlan multihoming enable	Enable Multihoming, save configs and reboot the board for multihoming to be effective
(config)#mac vrf L2VRF2	Create mac routing/forwarding instance with L2VRF2 name and enter into vrf mode
(config-vrf)#description MAC VRF BLUE	Give description to L2VRF2 as Blue
(config-vrf)#rd 1.1.1.1:21	Assign RD value
(config-vrf)#route-target both 90.90.90.90:100	Assign route-target value for same for import and export. Should be same on all node for L2VRF2
(config-vrf)#exit	Exit from vrf mode
(config)#ip vrf L3VRF1	Create MAC routing/forwarding instance with L3VRF1 name and enter into VRF mode
(config-vrf)#rd 11000:11	Assign RD value
(config-vrf)#route-target both 100:100	Assign route-target value for same for import and export. Should be same on all node for L2VRF1
(config-vrf)# l3vni 1000	Configure L3VNI as 1000 for L3VRF1
(config-vrf)#exit	Exit from vrf mode
(config)#mac vrf L2VRF1	Create mac routing/forwarding instance with L2VRF2 name and enter into vrf mode
(config-vrf)#description MAC VRF RED	Give description to L2VRF1 as Red
(config-vrf)#rd 1.1.1.1:11	Assign RD value
(config-vrf)#route-target both 9.9.9.9:100	Assign route-target value for same for import and export. Should be same on all node for L2VRF1
(config-nvo-acc-if)#commit	Commit the candidate configuration to the running configuration
(config)# evpn irb-forwarding anycast-gateway-mac	Add evpn irb-forwarding anycast-gateway-mac address
(config)#nvo vxlan vtep-ip-global 1.1.1.1	Assign a global IP to the VTEP
(config)#nvo vxlan id 101 ingress-replication inner-vid-disabled	Configure VXLAN Network identifier with/without inner-viddisabled configure and enter into VXLAN tenant mode
(config)#vxlan host-reachability-protocol evpn-bgp L2VRF1	Assign vrf for evpn-bgp to carry EVPN rout
(config-nvo)# evpn irb1001	Configure irb1001 under vxlan id 101
(config-nvo)# vni-name VNI-101	Configure VNI name as VNI-101
(config-nvo)#exit	Exit from VXLAN tenant mode and enter into configuration mode
(config)#nvo vxlan id 201 ingress-replication inner-vid-disabled	Configure VXLAN Network identifier with/without inner-viddisabled configure and enter into VXLAN tenant mode

(config-nvo)#vxlan host-reachability-protocol evpn-bgp L2VRF2	Assign VRF for EVPN-BGP to carry EVPN route
(config-nvo)# evpn irb2001	Configure irb2001 under vxlan id 201
(config-nvo)# vni-name VNI-201	Configure VNI name as VNI-201
(config)#qos enable	Enabling QoS
(config)#hostname VTEP1	Configure hostname

VTEP1: Interface and Loopback configuration

(config)#interface po1	Enter Interface mode for po1 (MH2)
(config-if)#switchport	Make it L2 interface
(config-if)# evpn multi-homed system-mac 0000.0000.2222	Configure system mac as ESI value for Lag (po1) interface. VTEP1 and VTEP2 should have same ESI value
(config)#interface po100	Enter Interface mode for po100
(config-if)#load-interval 30	Make it member port of po1
(config-if)#ip address 100.11.11.1/24	Configure ip address as 100.11.11.1 on network side of Spine-P3
(config-if)#exit	Exit Interface mode and return to Configure mode.
(config)#interface ce49	Enter Interface mode for ce49
(config-if)#channel-group 100 mode active	Map the interface ce49 to po1
(config-if)#exit	Exit Interface mode and return to Configure mode.
(config)#interface ce52	Enter Interface mode for network side port
(config-if)#ip address 100.11.11.1/24	Configure ip address as 100.11.11.1 on network side of Spine-P3
(config-if)#channel-group 1 mode active	Map the ce52 interface to po100
(config-if)#exit	Exit Interface mode and return to Configure mode.
(config)# interface irb1001	Configure IRB interface 1001
(config-if)#ip vrf forwarding L3VRF1	Configure L3VRF1
(config-if)#evpn irb-if-forwarding anycast-gateway-mac	Enable an IRB interface to use the global anycast IRB mac-address.
(config-irb-if)# ip address 11.11.11.1/24 anycast	Configure the IPv4 primary address as anycast
(config-irb-if)# ip address 12.11.11.1/24 secondary anycast	Configure secondary IPv4 secondary address as anycast
(config-irb-if)# ip address 13.11.11.1/16 secondary	Configure secondary IPv4 secondary address as anycast
(config-irb-if)# ip address 14.11.11.1/24 secondary	Configure secondary IPv4 secondary address as anycast
(config-irb-if)# ip address 15.11.11.1/16 secondary anycast	Configure secondary IPv4 secondary address as anycast
(config-irb-if)# ip address 16.11.11.1/8 secondary anycast	Configure secondary IPv4 secondary address as anycast
(config-irb-if)# ip address 17.11.11.1/24 secondary anycast	Configure secondary IPv4 secondary address as anycast

EVPN IRB - Anycast Support for Multiple Subnets

(config-irb-if)# ip address 18.11.11.1/16 secondary anycast	Configure secondary IPv4 secondary address as anycast
(config-irb-if)# ip address 19.11.11.1/8 secondary	Configure secondary IPv4 secondary address as anycast
(config-irb-if)# ip address 20.11.11.1/24 secondary anycast	Configure secondary IPv4 secondary address as anycast
(config-irb-if)# ip address 21.11.11.1/8 secondary anycast	Configure secondary IPv4 secondary address as anycast
(config-irb-if)# ip address 22.11.11.1/24 secondary anycast	Configure secondary IPv4 secondary address as anycast
(config-irb-if)# ip address 25.11.11.1/16 secondary anycast	Configure secondary IPv4 secondary address as anycast
(config-irb-if)# ipv6 address 11:11::11:1/48 anycast	Configure secondary IPv6 primary address as anycast
(config-irb-if)# ipv6 address 12:11::11:1/64	Configure secondary IPv6 address
(config-irb-if)# ipv6 address 13:11::11:1/48 anycast	Configure secondary IPv6 secondary address as anycast
(config-irb-if)# ipv6 address 14:11::11:1/50 anycast	Configure secondary IPv6 secondary address as anycast

VTEP1:OSPF configuration

(config)#router ospf 100	Enter into router OSPF mode
(config-router)#ospf router-id 1.1.1.1	Configure router-id as 1.1.1.1 (lo ip address)
(config-router)#network 1.1.1.1/32 area 0.0.0.0	Add 1.1.1.1 (lo ip address) network into area 0
(config-router)#network 100.11.11.0/24 area 0.0.0.0	Add 100.11.11.0(Spine-P3) network into area 0
(config-router)#bfd all-interfaces	Enabling bfd on all ospf interface for fast convergence
(config-if)#exit	Exit Interface mode and return to Configure mode.

VTEP1:BGP configuration

(config)#router bgp 5000	Enter into Router BGP mode
(config-router)#bgp router-id 1.1.1.1	Configure router-id as 1.1.1.1 (lo ip address)
(config-router)#neighbor 2.2.2.2 remote-as 5000	Specify a VTEP2 loopback ip address and remote-as defined
(config-router)#neighbor 2.2.2.2 update- source lo	Configure update as loopback for VTEP2
(config-router)#neighbor 2.2.2.2 advertisement-interval 0	Configure advertisement-interval as 0 for fast convergence for VTEP2
(config-router)#neighbor 4.4.4.4 remote-as 5000	Specify a VTEP4 loopback ip address and remote-as defined
(config-router)#neighbor 4.4.4.4 update- source lo	Configure update as loopback for VTEP4
(config-router)#neighbor 4.4.4.4 advertisement-interval 0	Configure advertisement-interval as 0 for fast convergence for VTEP4

(config-router)#neighbor 5.5.5.5 remote-as 5000	Specify a VTEP5 loopback ip address and remote-as defined
(config-router)#neighbor 5.5.5.5 update-source lo	Configure update as loopback for VTEP5
(config-router)#neighbor 5.5.5.5 advertisement-interval 0	Configure advertisement-interval as 0 for fast convergence for VTEP5
(config-router)#address-family l2vpn evpn	Enter into l2vpn EVPN address family mode
(config-router-af)#neighbor 2.2.2.2 activate	Activate 2.2.2.2(VTEP2) into l2vpn evpn address family mode
(config-router-af)#neighbor 4.4.4.4 activate	Activate 3.3.3.3(VTEP4) into l2vpn evpn address family mode
(config-router-af)#neighbor 5.5.5.5 activate	Activate 5.5.5.5(VTEP5) into l2vpn evpn address family mode
(config-router-af)#exit-address-family	Exit from l2vpn address family mode
(config-router)#exit	Exit from Router BGP mode and enter into config mode

VTEP1:L2 MAC VRF Configuration

(config)#mac vrf L2VRF1	Create mac routing/forwarding instance with L2VRF1 name and enter into vrf mode
(config-vrf)#rd 1.1.1.1:11	Assign RD value
(config-vrf)#description MAC VRF RED	Give description to L2VRF1 as RED
(config-vrf)#route-target both 9.9.9.9:100	Assign route-target value for same for import and export. Should be same on all node for L2VRF1
(config-vrf)#exit	Exit from vrf mode
(config)#mac vrf L2VRF2	Create mac routing/forwarding instance with L2VRF2 name and enter into vrf mode
(config-vrf)#rd 1.1.1.1:21	Assign RD value
(config-vrf)#route-target both 90.90.90.90:100	Assign route-target value for same for import and export
(config-vrf)#description MAC VRF BLUE	Give description to L2VRF2 as BLUE
(config-vrf)#exit	Exit from vrf mode

VTEP1:L2 VXLAN configuration

(config)#nvo vxlan access-if port-vlan po1 10	Enable port-vlan mapping i.e. access port to outer-vlan (SVLAN) - Multihomed access port
(config-nvo-acc-if)#map vnid 101	Map VXLAN Identified to access-port for VXLAN
(config-nvo-acc-if)# mac 0000.2222.1010 ip 11.11.11.51	Configure static mac-ip
(config-nvo-acc-if)#exit	Exit from VXLAN access-interface mode and enter into configuration mode
(config)#nvo vxlan access-if port-vlan po1 20	Enable port-vlan mapping i.e. access port to outer-vlan (SVLAN) - Multihomed access port
(config-nvo-acc-if)#map vnid 201	Map VXLAN Identified to access-port for VXLAN
(config-nvo-acc-if)# mac 0000.2222.1020 ip 21.21.21.51	Configure static mac-ip
(config-nvo-acc-if)#commit	Commit the candidate configuration to the running configuration

(config-nvo-acc-if)#exit	Exit from VXLAN access-interface mode and enter into configuration mode
(config)#exit	Exit from configuration mode

VTEP2 L2 VXLAN configuration:

(config)#nvo vxlan enable	Enable VXLAN
(config)#nvo vxlan irb	Enable VXLAN IRB
(config)#evpn esi hold-time 90	Configure ESI hold time to allow tunnel to come up at the time of vxlan initialization before making the ESI up. It should be same on both VTEP1 and VTEP2
(config)#evpn vxlan multihoming enable	Enable Multihoming
(config)#mac vrf L2VRF2	Create mac routing/forwarding instance with L2VRF2 name and enter into vrf mode
(config-vrf)#description MAC VRF BLUE	Give description to L2VRF2 as Blue
(config-vrf)#rd 1.1.1.1:21	Assign RD value
(config-vrf)#route-target both 90.90.90.90:100	Assign route-target value for same for import and export. Should be same on all node for L2VRF2
(config-vrf)#exit	Exit from vrf mode
(config)#ip vrf L3VRF1	Create MAC routing/forwarding instance with L3VRF1 name and enter into VRF mode
(config-vrf)#rd 11000:11	Assign RD value
(config-vrf)#route-target both 100:100	Assign route-target value for same for import and export. Should be same on all node for L2VRF1
(config-vrf)# l3vni 1000	Configure L3VNI as 1000 for L3VRF1
(config-vrf)#exit	Exit from vrf mode
(config)#mac vrf L2VRF1	Create mac routing/forwarding instance with L2VRF2 name and enter into vrf mode
(config-vrf)#description MAC VRF RED	Give description to L2VRF1 as Red
(config-vrf)#rd 1.1.1.1:11	Assign RD value
(config-vrf)#route-target both 9.9.9.9:100	Assign route-target value for same for import and export. Should be same on all node for L2VRF1
(config-nvo-acc-if)#commit	Commit the candidate configuration to the running configuration
(config)# evpn irb-forwarding anycast-gateway-mac	Add evpn irb-forwarding anycast-gateway-mac address
(config)#nvo vxlan vtep-ip-global 1.1.1.1	Assign a global IP to the VTEP
(config)#nvo vxlan id 101 ingress-replication inner-vid-disabled	Configure VXLAN Network identifier with/without inner-viddisabled configure and enter into VXLAN tenant mode
(config)#vxlan host-reachability-protocol evpn-bgp L2VRF1	Assign vrf for evpn-bgp to carry EVPN rout
(config-nvo)# evpn irb1001	Configure irb1001 under vxlan id 101
(config-nvo)# vni-name VNI-101	Configure VNI name as VNI-101
(config-nvo)#exit	Exit from VXLAN tenant mode and enter into configuration mode

(config)#nvo vxlan id 201 ingress-replication inner-vid-disabled	Configure VXLAN Network identifier with/without inner-viddisabled configure and enter into VXLAN tenant mode
(config-nvo)#vxlan host-reachability-protocol evpn-bgp L2VRF2	Assign VRF for EVPN-BGP to carry EVPN route
(config-nvo)# evpn irb2001	Configure irb2001 under vxlan id 201
(config-nvo)# vni-name VNI-201	Configure VNI name as VNI-201
(config)#qos enable	Enabling QoS
VTEP1(config)#hostname VTEP2	Configure hostname
VTEP2(config)#exit	Exit from VTEP1

VTEP2:Interface and loopback configuration

(config)#interface po1	Enter Interface mode for po1 (MH2)
(config-if)#switchport	Make it L2 interface
(config-if)# evpn multi-homed system-mac 0000.0000.2222	Configure system mac as ESI value for Lag (po1) interface. VTEP1 and VTEP2 should have same ESI value
(config-if)#exit	Exit Interface mode and return to Configure mode.
(config)#interface po100	Enter Interface mode for xe3
(config-if)#load-interval 30	Make it member port of po1
(config-if)#ip address 100.11.11.1/24	Configure ip address as 100.11.11.1 on network side of Spine-P3
(config-if)#exit	Exit Interface mode and return to Configure mode.
(config)#interface ce49	Enter Interface mode for ce49
(config-if)#channel-group 100 mode active	Map the ce49 interface to po100
(config-if)#exit	Exit Interface mode and return to Configure mode.
(config)#interface ce52	Enter Interface mode for network side port
(config-if)#ip address 100.11.11.1/24	Configure ip address as 100.11.11.1 on network side of Spine-P3
(config-if)#channel-group 1 mode active	Map the ce52 interface to po1
(config-if)#exit	Exit Interface mode and return to Configure mode.
(config)# interface irb1001	Configure IRB interface 1001
(config-if)#ip vrf forwarding L3VRF1	Configure L3VRF1
(config-if)#evpn irb-if-forwarding anycast-gateway-mac	Enable an IRB interface to use the global anycast IRB mac-address.
(config-irb-if)# ip address 11.11.11.1/24 anycast	Configure primary IPv4 address as anycast
(config-irb-if)# ip address 12.11.11.1/24 secondary anycast	Configure primary IPv4 address as anycast
(config-irb-if)# ip address 13.11.11.1/16 secondary	Configure primary IPv4 address as anycast
(config-irb-if)# ip address 14.11.11.1/24 secondary	Configure primary IPv4 address as anycast
(config-irb-if)# ip address 15.11.11.1/16 secondary anycast	Configure primary IPv4 address as anycast

EVPN IRB - Anycast Support for Multiple Subnets

(config-irb-if)# ip address 16.11.11.1/8 secondary anycast	Configure primary IPv4 address as anycast
(config-irb-if)# ip address 17.11.11.1/24 secondary anycast	Configure primary IPv4 address as anycast
(config-irb-if)# ip address 18.11.11.1/16 secondary anycast	Configure primary IPv4 address as anycast
(config-irb-if)# ip address 19.11.11.1/8 secondary	Configure primary IPv4 address as anycast
(config-irb-if)# ip address 20.11.11.1/24 secondary anycast	Configure primary IPv4 address as anycast
(config-irb-if)# ip address 21.11.11.1/8 secondary anycast	Configure primary IPv4 address as anycast
(config-irb-if)# ip address 22.11.11.1/24 secondary anycast	Configure primary IPv4 address as anycast
(config-irb-if)# ip address 25.11.11.1/16 secondary anycast	Configure primary IPv4 address as anycast
(config-irb-if)# ipv6 address 11:11::11:1/48 anycast	Configure primary IPv4 address as anycast
(config-irb-if)# ipv6 address 12:11::11:1/64	Configure the IPv6 address
(config-irb-if)# ipv6 address 13:11::11:1/48 anycast	Configure the IPv6 address as primary anycast
(config-irb-if)# ipv6 address 14:11::11:1/50 anycast	Configure the IPv6 address as anycast

VTEP2:OSPF configuration

(config)#router ospf 100	Enter into router OSPF mode
(config-router)#ospf router-id 1.1.1.1	Configure router-id as 1.1.1.1 (lo ip address)
(config-router)#network 1.1.1.1/32 area 0.0.0.0	Add 1.1.1.1 (lo ip address) network into area 0
(config-router)#network 100.11.11.0/24 area 0.0.0.0	Add 100.11.11.0(Spine-P3) network into area 0
(config-router)#bfd all-interfaces	Enabling bfd on all ospf interface for fast convergence
(config-if)#exit	Exit Interface mode and return to Configure mode.

VTEP2:BGP configuration

(config)#router bgp 5000	Enter into Router BGP mode
(config-router)#bgp router-id 1.1.1.1	Configure router-id as 1.1.1.1 (lo ip address)
(config-router)#neighbor 2.2.2.2 remote-as 5000	Specify a VTEP2 loopback ip address and remote-as defined
(config-router)#neighbor 2.2.2.2 update- source lo	Configure update as loopback for VTEP2
(config-router)#neighbor 2.2.2.2 advertisement-interval 0	Configure advertisement-interval as 0 for fast convergence for VTEP2
(config-router)#neighbor 4.4.4.4 remote-as 5000	Specify a VTEP4 loopback ip address and remote-as defined

(config-router)#neighbor 4.4.4.4 update-source lo	Configure update as loopback for VTEP4
(config-router)#neighbor 4.4.4.4 advertisement-interval 0	Configure advertisement-interval as 0 for fast convergence for VTEP4
(config-router)#neighbor 5.5.5.5 remote-as 5000	Specify a VTEP5 loopback ip address and remote-as defined
(config-router)#neighbor 5.5.5.5 update-source lo	Configure update as loopback for VTEP5
(config-router)#neighbor 5.5.5.5 advertisement-interval 0	Configure advertisement-interval as 0 for fast convergence for VTEP5
(config-router)#address-family l2vpn evpn	Enter into l2vpn EVPN address family mode
(config-router-af)#neighbor 2.2.2.2 activate	Activate 2.2.2.2(VTEP2) into l2vpn evpn address family mode
(config-router-af)#neighbor 4.4.4.4 activate	Activate 3.3.3.3(VTEP4) into l2vpn evpn address family mode
(config-router-af)#neighbor 5.5.5.5 activate	Activate 5.5.5.5(VTEP5) into l2vpn evpn address family mode
(config-router-af)#exit-address-family	Exit from l2vpn address family mode
(config-router)#exit	Exit from Router BGP mode and enter into config mode

VTEP2:L2 MAC VRF Configuration

(config)#mac vrf L2VRF1	Create mac routing/forwarding instance with L2VRF1 name and enter into vrf mode
(config-vrf)#rd 1.1.1.1:11	Assign RD value
(config-vrf)#description MAC VRF RED	Give description to L2VRF1 as RED
(config-vrf)#route-target both 9.9.9.9:100	Assign route-target value for same for import and export. Should be same on all node for L2VRF1
(config-vrf)#exit	Exit from vrf mode
(config)#mac vrf L2VRF2	Create mac routing/forwarding instance with L2VRF2 name and enter into vrf mode
(config-vrf)#rd 1.1.1.1:21	Assign RD value
(config-vrf)#route-target both 90.90.90.90:100	Assign route-target value for same for import and export
(config-vrf)#description MAC VRF BLUE	Give description to L2VRF2 as BLUE
(config-vrf)#exit	Exit from vrf mode

VTEP2:L2 VXLAN configuration

(config)#nvo vxlan access-if port-vlan po1 10	Enable port-vlan mapping i.e. access port to outer-vlan (SVLAN) - Multihomed access port
(config-nvo-acc-if)#map vnid 101	Map VXLAN Identified to access-port for VXLAN
(config-nvo-acc-if)# mac 0000.2222.1010 ip 11.11.11.51	Configure static mac-ip
(config-nvo-acc-if)#exit	Exit from VXLAN access-interface mode and enter into configuration mode
(config)#nvo vxlan access-if port-vlan po1 20	Enable port-vlan mapping i.e. access port to outer-vlan (SVLAN) - Multihomed access port
(config-nvo-acc-if)#map vnid 201	Map VXLAN Identified to access-port for VXLAN

EVPN IRB - Anycast Support for Multiple Subnets

(config-nvo-acc-if)# mac 0000.2222.1020 ip 21.21.21.51	Configure static mac-ip
(config-nvo-acc-if)#commit	Commit the candidate configuration to the running configuration
(config-nvo-acc-if)#exit	Exit from VXLAN access-interface mode and enter into configuration mode
(config)#exit	Exit from configuration mode

VTEP3:L2 VXLAN configuration

(config)#nvo vxlan enable	Enable VXLAN
(config)#nvo vxlan irb	Enable VXLAN IRB
(config)#evpn esi hold-time 90	Configure ESI hold time to allow tunnel to come up at the time of vxlan initialization before making the ESI up. It should be same on both VTEP1 and VTEP2
(config)#evpn vxlan multihoming enable	Enable Multihoming
(config)#mac vrf L2VRF2	Create mac routing/forwarding instance with L2VRF2 name and enter into vrf mode
(config-vrf)#description MAC VRF BLUE	Give description to L2VRF2 as Blue
(config-vrf)#rd 1.1.1.1:21	Assign RD value
(config-vrf)#route-target both 90.90.90.90:100	Assign route-target value for same for import and export. Should be same on all node for L2VRF2
(config-vrf)#exit	Exit from vrf mode
(config)#ip vrf L3VRF1	Create MAC routing/forwarding instance with L3VRF1 name and enter into VRF mode
(config-vrf)#rd 11000:11	Assign RD value
(config-vrf)#route-target both 100:100	Assign route-target value for same for import and export. Should be same on all node for L2VRF1
(config-vrf)# l3vni 1000	Configure L3VNI as 1000 for L3VRF1
(config-vrf)#exit	Exit from vrf mode
(config)#mac vrf L2VRF1	Create mac routing/forwarding instance with L2VRF2 name and enter into vrf mode
(config-vrf)#description MAC VRF RED	Give description to L2VRF1 as Red
(config-vrf)#rd 1.1.1.1:11	Assign RD value
(config-vrf)#route-target both 9.9.9.9:100	Assign route-target value for same for import and export. Should be same on all node for L2VRF1
(config-nvo-acc-if)#commit	Commit the candidate configuration to the running configuration
(config)# evpn irb-forwarding anycast-gateway-mac	Add evpn irb-forwarding anycast-gateway-mac address
(config)#nvo vxlan vtep-ip-global 1.1.1.1	Assign a global IP to the VTEP
(config)#nvo vxlan id 101 ingress-replication inner-vid-disabled	Configure VXLAN Network identifier with/without inner-viddisabled configure and enter into VXLAN tenant mode

(config)#vxlan host-reachability-protocol evpn-bgp L2VRF1	Assign vrf for evpn-bgp to carry EVPN rout
(config-nvo)# evpn irb1001	Configure irb1001 under vxlan id 101
(config-nvo)# vni-name VNI-101	Configure VNI name as VNI-101
(config-nvo)#exit	Exit from VXLAN tenant mode and enter into configuration mode
(config)#nvo vxlan id 201 ingress-replication inner-vid-disabled	Configure VXLAN Network identifier with/without inner-viddisabled configure and enter into VXLAN tenant mode
(config-nvo)#vxlan host-reachability-protocol evpn-bgp L2VRF2	Assign VRF for EVPN-BGP to carry EVPN route
(config-nvo)# evpn irb2001	Configure irb2001 under vxlan id 201
(config-nvo)# vni-name VNI-201	Configure VNI name as VNI-201
(config)#qos enable	Enabling QoS
VTEP3(config)#hostname VTEP3	Configure hostname

VTEP3:Interface and loopback configuration

(config)#interface po1	Enter Interface mode for po1 (MH2)
(config-if)#switchport	Make it L2 interface
(config-if)# evpn multi-homed system-mac 0000.0000.2222	Configure system mac as ESI value for Lag (po1) interface. VTEP1 and VTEP2 should have same ESI value
(config-if)#exit	Exit Interface mode and return to Configure mode.
(config)#interface po100	Enter Interface mode for xe3
(config-if)#load-interval 30	Make it member port of po1
(config-if)#ip address 100.11.11.1/24	Configure ip address as 100.11.11.1 on network side of Spine-P3
(config-if)#exit	Exit Interface mode and return to Configure mode.
(config)#interface ce49	Enter Interface mode for ce49
(config-if)#channel-group 100 mode active	Map the interface ce49 to po100
(config-if)#exit	Exit Interface mode and return to Configure mode.
(config)#interface ce52	Enter Interface mode for network side port
(config-if)#ip address 100.11.11.1/24	Configure ip address as 100.11.11.1 on network side of Spine-P3
(config-if)#channel-group 1 mode active	Map the interface ce52 to po1
(config-if)#exit	Exit Interface mode and return to Configure mode.
(config)# interface irb1001	Configure IRB interface 1001
(config-if)#ip vrf forwarding L3VRF1	Configure L3VRF1
(config-if)#evpn irb-if-forwarding anycast-gateway-mac	Enable an IRB interface to use the global anycast IRB mac-address.
(config-irb-if)# ip address 11.11.11.1/24 anycast	Configure the IPv4 address
(config-irb-if)# ip address 12.11.11.1/24 secondary anycast	Configure secondary IPv4 address as anycast
(config-irb-if)# ip address 13.11.11.1/16 secondary	Configure secondary IPv4 address as anycast

EVPN IRB - Anycast Support for Multiple Subnets

(config-irb-if)# ip address 14.11.11.1/24 secondary	Configure secondary IPv4 address as anycast
(config-irb-if)# ip address 15.11.11.1/16 secondary anycast	Configure secondary IPv4 address as anycast
(config-irb-if)# ip address 16.11.11.1/8 secondary anycast	Configure secondary IPv4 address as anycast
(config-irb-if)# ip address 17.11.11.1/24 secondary anycast	Configure secondary IPv4 address as anycast
(config-irb-if)# ip address 18.11.11.1/16 secondary anycast	Configure secondary IPv4 address as anycast
(config-irb-if)# ip address 19.11.11.1/8 secondary	Configure secondary IPv4 address as anycast
(config-irb-if)# ip address 20.11.11.1/24 secondary anycast	Configure secondary IPv4 address as anycast
(config-irb-if)# ip address 21.11.11.1/8 secondary anycast	Configure secondary IPv4 address as anycast
(config-irb-if)# ip address 22.11.11.1/24 secondary anycast	Configure secondary IPv4 address as anycast
(config-irb-if)# ip address 25.11.11.1/16 secondary anycast	Configure secondary IPv4 address as anycast
(config-irb-if)# ipv6 address 11:11::11:1/48 anycast	Configure the IPv6 as primary anycast
(config-irb-if)# ipv6 address 12:11::11:1/64	Configure the IPv6 address
(config-irb-if)# ipv6 address 13:11::11:1/48 anycast	Configure the IPv6 address as anycast
(config-irb-if)# ipv6 address 14:11::11:1/50 anycast	Configure the IPv6 address as anycast

VTEP3:OSPF configuration

(config)#router ospf 100	Enter into router OSPF mode
(config-router)#ospf router-id 1.1.1.1	Configure router-id as 1.1.1.1 (lo ip address)
(config-router)#network 1.1.1.1/32 area 0.0.0.0	Add 1.1.1.1 (lo ip address) network into area 0
(config-router)#network 100.11.11.0/24 area 0.0.0.0	Add 100.11.11.0(Spine-P3) network into area 0
(config-router)#bfd all-interfaces	Enabling bfd on all ospf interface for fast convergence
(config-if)#exit	Exit Interface mode and return to Configure mode.

VTEP3:BGP configuration

(config)#router bgp 5000	Enter into Router BGP mode
(config-router)#bgp router-id 1.1.1.1	Configure router-id as 1.1.1.1 (lo ip address)
(config-router)#neighbor 2.2.2.2 remote-as 5000	Specify a VTEP2 loopback ip address and remote-as defined
(config-router)#neighbor 2.2.2.2 update-source lo	Configure update as loopback for VTEP2

(config-router)#neighbor 2.2.2.2 advertisement-interval 0	Configure advertisement-interval as 0 for fast convergence for VTEP2
(config-router)#neighbor 4.4.4.4 remote-as 5000	Specify a VTEP4 loopback ip address and remote-as defined
(config-router)#neighbor 4.4.4.4 update-source lo	Configure update as loopback for VTEP4
(config-router)#neighbor 4.4.4.4 advertisement-interval 0	Configure advertisement-interval as 0 for fast convergence for VTEP4
(config-router)#neighbor 5.5.5.5 remote-as 5000	Specify a VTEP5 loopback ip address and remote-as defined
(config-router)#neighbor 5.5.5.5 update-source lo	Configure update as loopback for VTEP5
(config-router)#neighbor 5.5.5.5 advertisement-interval 0	Configure advertisement-interval as 0 for fast convergence for VTEP5
(config-router)#address-family l2vpn evpn	Enter into l2vpn EVPN address family mode
(config-router-af)#neighbor 2.2.2.2 activate	Activate 2.2.2.2(VTEP2) into l2vpn evpn address family mode
(config-router-af)#neighbor 4.4.4.4 activate	Activate 3.3.3.3(VTEP4) into l2vpn evpn address family mode
(config-router-af)#neighbor 5.5.5.5 activate	Activate 5.5.5.5(VTEP5) into l2vpn evpn address family mode
(config-router-af)#exit-address-family	Exit from l2vpn address family mode
(config-router)#exit	Exit from Router BGP mode and enter into config mode

VTEP3:L2 MAC VRF Configuration

(config)#mac vrf L2VRF1	Create mac routing/forwarding instance with L2VRF1 name and enter into vrf mode
(config-vrf)#rd 1.1.1.1:11	Assign RD value
(config-vrf)#description MAC VRF RED	Give description to L2VRF1 as RED
(config-vrf)#route-target both 9.9.9.9:100	Assign route-target value for same for import and export. Should be same on all node for L2VRF1
(config-vrf)#exit	Exit from vrf mode
(config)#mac vrf L2VRF2	Create mac routing/forwarding instance with L2VRF2 name and enter into vrf mode
(config-vrf)#rd 1.1.1.1:21	Assign RD value
(config-vrf)#route-target both 90.90.90.90:100	Assign route-target value for same for import and export
(config-vrf)#description MAC VRF BLUE	Give description to L2VRF2 as BLUE
(config-vrf)#exit	Exit from vrf mode

VTEP3:L2 VXLAN configuration

(config)#nvo vxlan access-if port-vlan po1 10	Enable port-vlan mapping i.e. access port to outer-vlan (SVLAN) - Multihomed access port
(config-nvo-acc-if)#map vnid 101	Map VXLAN Identified to access-port for VXLAN
(config-nvo-acc-if)# mac 0000.2222.1010 ip 11.11.11.51	Configure static mac-ip
(config-nvo-acc-if)#exit	Exit from VXLAN access-interface mode and enter into configuration mode

EVPN IRB - Anycast Support for Multiple Subnets

(config)#nvo vxlan access-if port-vlan po1 20	Enable port-vlan mapping i.e. access port to outer-vlan (SVLAN) - Multihomed access port
(config-nvo-acc-if)#map vnid 201	Map VXLAN Identified to access-port for VXLAN
(config-nvo-acc-if)# mac 0000.2222.1020 ip 21.21.21.51	Configure static mac-ip
(config-nvo-acc-if)#commit	Commit the candidate configuration to the running configuration
(config-nvo-acc-if)#exit	Exit from VXLAN access-interface mode and enter into configuration mode
(config)#exit	Exit from configuration mode

VTEP4:L2 VXLAN configuration

(config)#nvo vxlan enable	Enable VXLAN
(config)#nvo vxlan irb	Enable VXLAN IRB
(config)#evpn esi hold-time 90	Configure ESI hold time to allow tunnel to come up at the time of vxlan initialization before making the ESI up. It should be same on both VTEP1 and VTEP2
(config)#evpn vxlan multihoming enable	Enable Multihoming
(config)#mac vrf L2VRF2	Create mac routing/forwarding instance with L2VRF2 name and enter into vrf mode
(config-vrf)#description MAC VRF BLUE	Give description to L2VRF2 as Blue
(config-vrf)#rd 1.1.1.1:21	Assign RD value
(config-vrf)#route-target both 90.90.90.90:100	Assign route-target value for same for import and export. Should be same on all node for L2VRF2
(config-vrf)#exit	Exit from vrf mode
(config)#ip vrf L3VRF1	Create MAC routing/forwarding instance with L3VRF1 name and enter into VRF mode
(config-vrf)#rd 11000:11	Assign RD value
(config-vrf)#route-target both 100:100	Assign route-target value for same for import and export. Should be same on all node for L2VRF1
(config-vrf)# l3vni 1000	Configure L3VNI as 1000 for L3VRF1
(config-vrf)#exit	Exit from vrf mode
(config)#mac vrf L2VRF1	Create mac routing/forwarding instance with L2VRF2 name and enter into vrf mode
(config-vrf)#description MAC VRF RED	Give description to L2VRF1 as Red
(config-vrf)#rd 1.1.1.1:11	Assign RD value
(config-vrf)#route-target both 9.9.9.9:100	Assign route-target value for same for import and export. Should be same on all node for L2VRF1
(config-nvo-acc-if)#commit	Commit the candidate configuration to the running configuration
(config)# evpn irb-forwarding anycast-gateway-mac	Add evpn irb-forwarding anycast-gateway-mac address
(config)#nvo vxlan vtep-ip-global 1.1.1.1	Assign a global IP to the VTEP

(config)#nvo vxlan id 101 ingress-replication inner-vid-disabled	Configure VXLAN Network identifier with/without inner-vid-disabled configure and enter into VXLAN tenant mode
(config)#vxlan host-reachability-protocol evpn-bgp L2VRF1	Assign vrf for evpn-bgp to carry EVPN rout
(config-nvo)# evpn irb1001	Configure irb1001 under vxlan id 101
(config-nvo)# vni-name VNI-101	Configure VNI name as VNI-101
(config-nvo)#exit	Exit from VXLAN tenant mode and enter into configuration mode
(config)#nvo vxlan id 201 ingress-replication inner-vid-disabled	Configure VXLAN Network identifier with/without inner-vid-disabled configure and enter into VXLAN tenant mode
(config-nvo)#vxlan host-reachability-protocol evpn-bgp L2VRF2	Assign VRF for EVPN-BGP to carry EVPN route
(config-nvo)# evpn irb2001	Configure irb2001 under vxlan id 201
(config-nvo)# vni-name VNI-201	Configure VNI name as VNI-201
(config)#qos enable	Enabling QoS
VTEP4 (config)#hostname VTEP4	Configure hostname

VTEP4:Interface and loopback configuration

(config)#interface po1	Enter Interface mode for po1 (MH2)
(config-if)#switchport	Make it L2 interface
(config-if)# evpn multi-homed system-mac 0000.0000.2222	Configure system mac as ESI value for Lag (po1) interface. VTEP1 and VTEP2 should have same ESI value
(config-if)#exit	Exit Interface mode and return to Configure mode.
(config)#interface po100	Enter Interface mode for xe3
(config-if)#load-interval 30	Make it member port of po1
(config-if)#ip address 100.11.11.1/24	Configure ip address as 100.11.11.1 on network side of Spine-P3
(config-if)#exit	Exit Interface mode and return to Configure mode.
(config)#interface ce49	Enter Interface mode for ce49
(config-if)#channel-group 100 mode active	Map the ce49 interface to po100
(config-if)#exit	Exit Interface mode and return to Configure mode.
(config)#interface ce52	Enter Interface mode for network side port
(config-if)#ip address 100.11.11.1/24	Configure ip address as 100.11.11.1 on network side of Spine-P3
(config-if)#channel-group 1 mode active	Map the ce52 interface to po01
(config-if)#exit	Exit Interface mode and return to Configure mode.
(config)# interface irb1001	Configure IRB interface 1001
(config-if)#ip vrf forwarding L3VRF1	Configure L3VRF1
(config-if)#evpn irb-if-forwarding anycast-gateway-mac	Enable an IRB interface to use the global anycast IRB mac-address.
(config-irb-if)# ip address 11.11.11.1/24 anycast	Configure the IPv4 address anycast gateway
(config-irb-if)# ip address 12.11.11.1/24 secondary anycast	Configure the IPv4 address anycast gateway

EVPN IRB - Anycast Support for Multiple Subnets

(config-irb-if)# ip address 13.11.11.1/16 secondary	Configure the IPv4 address as anycast
(config-irb-if)# ip address 14.11.11.1/24 secondary	Configure the IPv4 address as anycast
(config-irb-if)# ip address 15.11.11.1/16 secondary anycast	Configure the IPv4 address as anycast
(config-irb-if)# ip address 16.11.11.1/8 secondary anycast	Configure the IPv4 address as anycast
(config-irb-if)# ip address 17.11.11.1/24 secondary anycast	Configure the IPv4 address as anycast
(config-irb-if)# ip address 18.11.11.1/16 secondary anycast	Configure the IPv4 address as anycast
(config-irb-if)# ip address 19.11.11.1/8 secondary	Configure the IPv4 address as anycast
(config-irb-if)# ip address 20.11.11.1/24 secondary anycast	Configure the IPv4 address as anycast
(config-irb-if)# ip address 21.11.11.1/8 secondary anycast	Configure the IPv4 address as anycast
(config-irb-if)# ip address 22.11.11.1/24 secondary anycast	Configure the IPv4 address as anycast
(config-irb-if)# ip address 25.11.11.1/16 secondary anycast	Configure the IPv4 address as anycast
(config-irb-if)# ipv6 address 11:11::11:1/48 anycast	Configure the IPv4 address as anycast
(config-irb-if)# ipv6 address 12:11::11:1/64	Configure the IPv6 address as anycast
(config-irb-if)# ipv6 address 13:11::11:1/48 anycast	Configure the IPv6 address as anycast
(config-irb-if)# ipv6 address 14:11::11:1/50 anycast	Configure the IPv6 address as anycast

VTEP4:OSPF configuration

(config)#router ospf 100	Enter into router OSPF mode
(config-router)#ospf router-id 1.1.1.1	Configure router-id as 1.1.1.1 (lo ip address)
(config-router)#network 1.1.1.1/32 area 0.0.0.0	Add 1.1.1.1 (lo ip address) network into area 0
(config-router)#network 100.11.11.0/24 area 0.0.0.0	Add 100.11.11.0(Spine-P3) network into area 0
(config-router)#bfd all-interfaces	Enabling bfd on all ospf interface for fast convergence
(config-if)#exit	Exit Interface mode and return to Configure mode.

VTEP4:BGP configuration

(config)#router bgp 5000	Enter into Router BGP mode
(config-router)#bgp router-id 1.1.1.1	Configure router-id as 1.1.1.1 (lo ip address)
(config-router)#neighbor 2.2.2.2 remote-as 5000	Specify a VTEP2 loopback ip address and remote-as defined

(config-router)#neighbor 2.2.2.2 update-source lo	Configure update as loopback for VTEP2
(config-router)#neighbor 2.2.2.2 advertisement-interval 0	Configure advertisement-interval as 0 for fast convergence for VTEP2
(config-router)#neighbor 4.4.4.4 remote-as 5000	Specify a VTEP4 loopback ip address and remote-as defined
(config-router)#neighbor 4.4.4.4 update-source lo	Configure update as loopback for VTEP4
(config-router)#neighbor 4.4.4.4 advertisement-interval 0	Configure advertisement-interval as 0 for fast convergence for VTEP4
(config-router)#neighbor 5.5.5.5 remote-as 5000	Specify a VTEP5 loopback ip address and remote-as defined
(config-router)#neighbor 5.5.5.5 update-source lo	Configure update as loopback for VTEP5
(config-router)#neighbor 5.5.5.5 advertisement-interval 0	Configure advertisement-interval as 0 for fast convergence for VTEP5
(config-router)#address-family l2vpn evpn	Enter into l2vpn EVPN address family mode
(config-router-af)#neighbor 2.2.2.2 activate	Activate 2.2.2.2(VTEP2) into l2vpn evpn address family mode
(config-router-af)#neighbor 4.4.4.4 activate	Activate 3.3.3.3(VTEP4) into l2vpn evpn address family mode
(config-router-af)#neighbor 5.5.5.5 activate	Activate 5.5.5.5(VTEP5) into l2vpn evpn address family mode
(config-router-af)#exit-address-family	Exit from l2vpn address family mode
(config-router)#exit	Exit from Router BGP mode and enter into config mode

VTEP4:L2 MAC VRF Configuration

(config)#mac vrf L2VRF1	Create mac routing/forwarding instance with L2VRF1 name and enter into vrf mode
(config-vrf)#rd 1.1.1.1:11	Assign RD value
(config-vrf)#description MAC VRF RED	Give description to L2VRF1 as RED
(config-vrf)#route-target both 9.9.9.9:100	Assign route-target value for same for import and export. Should be same on all node for L2VRF1
(config-vrf)#exit	Exit from vrf mode
(config)#mac vrf L2VRF2	Create mac routing/forwarding instance with L2VRF2 name and enter into vrf mode
(config-vrf)#rd 1.1.1.1:21	Assign RD value
(config-vrf)#route-target both 90.90.90.90:100	Assign route-target value for same for import and export
(config-vrf)#description MAC VRF BLUE	Give description to L2VRF2 as BLUE
(config-vrf)#exit	Exit from vrf mode

VTEP4:L2 VXLAN configuration

(config)#nvo vxlan access-if port-vlan po1 10	Enable port-vlan mapping i.e. access port to outer-vlan (SVLAN) - Multihomed access port
(config-nvo-acc-if)#map vnid 101	Map VXLAN Identified to access-port for VXLAN
(config-nvo-acc-if)# mac 0000.2222.1010 ip 11.11.11.51	Configure static mac-ip

EVPN IRB - Anycast Support for Multiple Subnets

(config-nvo-acc-if)#exit	Exit from VXLAN access-interface mode and enter into configuration mode
(config)#nvo vxlan access-if port-vlan po1 20	Enable port-vlan mapping i.e. access port to outer-vlan (SVLAN) - Multihomed access port
(config-nvo-acc-if)#map vnid 201	Map VXLAN Identified to access-port for VXLAN
(config-nvo-acc-if)# mac 0000.2222.1020 ip 21.21.21.51	Configure static mac-ip
(config-nvo-acc-if)#commit	Commit the candidate configuration to the running configuration
(config-nvo-acc-if)#exit	Exit from VXLAN access-interface mode and enter into configuration mode
(config)#exit	Exit from configuration mode

Spine1

Spine node where all VTEPs are connected.

Generic configuration:

#configure terminal	Enter Configure mode.
(config)#evpn vxlan multihoming enable	Enable Multihoming, save configs and reboot the board for multihoming to be effective
(config)#qos enable	Enabling qos

Interface and loopback configuration:

(config)#interface po1	Enter Interface mode for po1 (MH2)
(config-if)#switchport	Make it L2 interface
(config-if)# bridge-group 1	Configure system mac as ESI value for Lag (po1) interface. VTEP1 and VTEP2 should have same ESI value
(config-if)#switchport mode trunk	Exit Interface mode and return to Configure mode.
(config-if)#switchport trunk allowed vlan add 2	Configure the VLANs that should be allowed through this interface
(config)#interface po4	Enter Interface mode for xe3
(config-if)#load-interval 30	Make it member port of po1
(config-if)#ip address 100.11.11.1/24	Configure ip address as 100.11.11.1 on network side of Spine-P3
(config-if)#exit	Exit Interface mode and return to Configure mode.
(config)#interface po25	Enter Interface mode for lo
(config-if)#load-interval 30	Make it member port of po1
(config-if)#ip address 100.11.11.1/24	Configure ip address as 100.11.11.1 on network side of Spine-P1
(config-if)#exit	Exit Interface mode and return to Configure mode.
(config)#interface po100	Enter Interface mode for network side port
(config-if)#ip address 100.11.11.1/24	Configure ip address as 100.11.11.1 on network side of Spine-P3
(config-if)#exit	Exit Interface mode and return to Configure mode.

(config)#interface ce1	Enter Interface mode for network side port
(config-if)#channel-group 1 mode activev	Map the ce1 interface to po1
(config-if)#exit	Exit Interface mode and return to Configure mode.
(config)#interface ce2	Enter Interface mode for network side port
(config-if)#channel-group 2 mode active	Map the ce2 interface to po2
(config-if)#exit	Exit Interface mode and return to Configure mode.
(config-if)#exit	Exit Interface mode and return to Configure mode.
(config)#interface ce3	Enter Interface mode for network side port
(config-if)#channel-group 1 mode active	Map the ce3 interface to po1
(config-if)#exit	Exit Interface mode and return to Configure mode.
(config)#interface ce4	Enter Interface mode for network side port
(config-if)#channel-group 1 mode active	Map the ce4 interface to po1
(config)# interface lo	Configure IRB interface 1001
(config)#ip address 127.0.0.1/8	Configure the IPv4 address
(config)#ip address 100.100.100.100/32 secondary	Configure the IPv4 address
(config)#ipv6 address ::1/128	Configure the IPv6 address
(config)# vlan1.2	Configure IRB interface 1001
(config)#ip address 100.12.12.2/24	Configure the Ip address
(config)#exit	Exit Interface mode and return to Configure mode.

OSPF configuration:

(config)#router ospf 100	Enter into router OSPF mode
(config-router)#ospf router-id 1.1.1.1	Configure router-id as 1.1.1.1 (lo ip address)
(config-router)#network 1.1.1.1/32 area 0.0.0.0	Add 1.1.1.1 (lo ip address) network into area 0
(config-router)#network 100.11.11.0/24 area 0.0.0.0	Add 100.11.11.0(Spine-P3) network into area 0
(config-router)#bfd all-interfaces	Enabling bfd on all ospf interface for fast convergence
(config-if)#exit	Exit Interface mode and return to Configure mode.

Switch1**Interface and loopback configuration:**

(config)#interface po1	Enter Interface mode for po1 (MH2)
(config-if)#switchport	Enable switch port under po1
(config-if)# bridge-group 1	Map the bridge group
(config-if)#switchport mode trunk	Configure switch port as trunk

EVPN IRB - Anycast Support for Multiple Subnets

(config-if)#switchport trunk allowed vlan add 2,10,20	Add the vlan for the trunk
(config-if)#switchport trunk allowed vlan add 2	Add the vlan for the trunk
(config)#interface ce56	Enter Interface mode for network side port
(config-if)#channel-group 1 mode active	Map interface ce56 for channel group
(config)#interface vlan1.20	Configure the vlan
(config)#ip address 21.21.21.2/24	Configure the IPv4 address for vlan1.20
(config)#ipv6 address 21:21::21:2/48	Configure the IPv6 address for vlan1.20
(config)# interface vlan1.2	Configure the interface Vlan1.2
(config)# ip adress100.12.12.2/24	Configure the IP address for vlan1.2 interface.
(config)#exit	Exit Interface mode and return to Configure mode.
(config)#interface xe1	Enter Interface mode for xe1
(config-if)#switchport	Enable switch port under xe1
(config-if)# bridge-group 1	Map the bridge group
(config-if)#switchport mode trunk	Configure switch port as trunk
(config-if)#switchport trunk allowed vlan add 2,10,20	Add the vlan for the trunk
(config)#exit	Exit Interface mode and return to Configure mode.

Switch2

OSPF configuration:

(config)#router ospf 100	Enter into router OSPF mode
(config-router)#ospf router-id 5.5.5.5	Configure router-id as 5.5.5.5 (lo ip address)
(config-router)#network 5.5.5.5/32 area 0.0.0.0	Add 5.5.5.5/32 (lo ip address) network into area 0
(config-router)#network 100.14.14.0/24 .0/24 area 0.0.0.0	Add 100.14.14.0/24 (Spine-P3) network into area 0
(config-router)#bfd all-interfaces	Enabling bfd on all ospf interface for fast convergence
(config-if)#exit	Exit Interface mode and return to Configure mode.

Validation

VTEP1:

```
Leaf1#show nvo vxlan arp-cache
```

```
VXLAN ARP-CACHE Information
```

```
=====
```

VNID	Ip-Addr	Mac-Addr	Type	Age-Out	Retries-Left
101	11.11.11.1	0000.0000.1111	Static Local	----	
101	11.11.11.51	0000.2222.1010	Static Local	----	

```

101 11.11.11.201 0000.4444.1010 Static Remote ----
101 12.11.11.1 0000.0000.1111 Static Local ----
101 13.11.11.1 1444.8f10.d8c9 Static Local ----
101 14.11.11.1 1444.8f10.d8c9 Static Local ----
101 15.11.11.1 0000.0000.1111 Static Local ----
101 16.11.11.1 0000.0000.1111 Static Local ----
101 17.11.11.1 0000.0000.1111 Static Local ----
101 18.11.11.1 0000.0000.1111 Static Local ----
101 19.11.11.1 1444.8f10.d8c9 Static Local ----
101 20.11.11.1 0000.0000.1111 Static Local ----
201 21.21.21.1 0000.0000.1111 Static Local ----
201 21.21.21.51 0000.2222.1020 Static Local ----
201 22.22.22.1 1444.8f10.d8c9 Static Local ----
201 23.23.23.1 0000.0000.1111 Static Local ----
201 24.24.24.1 0000.0000.1111 Static Local ----
201 25.25.25.1 1444.8f10.d8c9 Static Local ----
201 26.26.26.1 0000.0000.1111 Static Local ----
201 27.27.27.1 1444.8f10.d8c9 Static Local ----
201 28.28.28.1 0000.0000.1111 Static Local ----
201 29.29.29.1 1444.8f10.d8c9 Static Local ----
201 30.30.30.1 0000.0000.1111 Static Local ----
201 192.85.1.2 0039.4400.0020 Dynamic Local ----
Total number of entries are 24

```

```

-----
Leaf1#sh nvo vxlan nd-cache
VXLAN ND-CACHE Information
=====

```

VNID	Ip-Addr	Mac-Addr	Type	Age
-Out	Retries-Left			
101	11:11::11:1	0000.0000.1111	Static Local	----
101	12:11::11:1	1444.8f10.d8c9	Static Local	----
101	13:11::11:1	0000.0000.1111	Static Local	----
101	14:11::11:1	0000.0000.1111	Static Local	----
101	15:11::11:1	0000.0000.1111	Static Local	----
101	16:11::11:1	1444.8f10.d8c9	Static Local	----
101	17:11::11:1	0000.0000.1111	Static Local	----
101	18:11::11:1	1444.8f10.d8c9	Static Local	----
101	19:11::11:1	1444.8f10.d8c9	Static Local	----
101	20:20::20:1	1444.8f10.d8c9	Static Local	----
201	21:21::21:1	1444.8f10.d8c9	Static Local	----
201	22:22::22:1	0000.0000.1111	Static Local	----
201	23:23::23:1	1444.8f10.d8c9	Static Local	----
201	24:24::24:1	1444.8f10.d8c9	Static Local	----
201	25:25::25:1	0000.0000.1111	Static Local	----
201	26:26::26:1	0000.0000.1111	Static Local	----
201	27:27::27:1	1444.8f10.d8c9	Static Local	----
201	28:28::28:1	0000.0000.1111	Static Local	----
201	29:29::29:1	1444.8f10.d8c9	Static Local	----
201	30:30::30:1	0000.0000.1111	Static Local	----

```

Total number of entries are 20
Leaf1#

```

VTEP2:

```
Leaf2#show int counters rate mbps
```

Interface	Rx mbps	Rx pps	Tx mbps	Tx pps
ce49	1099.23	771933	0.00	1
ce50	0.00	0	0.00	0
ce51	0.00	0	0.00	0
ce52	0.00	0	0.00	0
ce53	0.00	0	0.00	0
ce54	0.00	0	0.00	0
ce55	0.00	0	0.00	0
ce56	0.00	0	0.00	0
po3	1099.23	771934	0.00	1
xe3	0.00	0	0.00	0
xe5	0.00	0	0.00	0

EVPN IRB - Anycast Support for Multiple Subnets

```

-----
Leaf2#show nvo vxlan arp-cache
VXLAN ARP-CACHE Information
=====
VNID      Ip-Addr      Mac-Addr      Type      Age-Out      Retries-Left
-----
101      11.11.11.1   0000.0000.1111 Static Local ----
101      11.11.11.51  0000.2222.1010 Static Remote ----
101      11.11.11.201 0000.4444.1010 Static Remote ----
101      12.11.11.1   0000.0000.1111 Static Local ----
101      13.11.11.1   b86a.979c.1669 Static Local ----
101      14.11.11.1   b86a.979c.1669 Static Local ----
101      15.11.11.1   0000.0000.1111 Static Local ----
101      16.11.11.1   0000.0000.1111 Static Local ----
101      17.11.11.1   0000.0000.1111 Static Local ----
101      18.11.11.1   0000.0000.1111 Static Local ----
101      19.11.11.1   b86a.979c.1669 Static Local ----
101      20.11.11.1   0000.0000.1111 Static Local ----
101      21.21.21.1   0000.0000.1111 Static Local ----
101      21.21.21.51  0000.2222.1020 Static Remote ----
101      22.22.22.1   b86a.979c.1669 Static Local ----
101      23.23.23.1   0000.0000.1111 Static Local ----
101      24.24.24.1   0000.0000.1111 Static Local ----
101      25.25.25.1   b86a.979c.1669 Static Local ----
101      26.26.26.1   0000.0000.1111 Static Local ----
101      27.27.27.1   b86a.979c.1669 Static Local ----
101      28.28.28.1   0000.0000.1111 Static Local ----
101      29.29.29.1   b86a.979c.1669 Static Local ----
101      30.30.30.1   0000.0000.1111 Static Local ----
101      192.85.1.2   0039.4400.0020 Dynamic Remote ----
Total number of entries are 24

```

```

-----
Leaf2# show nvo vxlan nd-cache
VXLAN ND-CACHE Information
=====
VNID      Ip-Addr      Mac-Addr      Type      Age
-Out      Retries-Left
-----
101      11:11::11:1   0000.0000.1111 Static Local ----
101      12:11::11:1   b86a.979c.1669 Static Local ----
101      13:11::11:1   0000.0000.1111 Static Local ----
101      14:11::11:1   0000.0000.1111 Static Local ----
101      15:11::11:1   0000.0000.1111 Static Local ----
101      16:11::11:1   b86a.979c.1669 Static Local ----
101      17:11::11:1   0000.0000.1111 Static Local ----
101      18:11::11:1   b86a.979c.1669 Static Local ----
101      19:11::11:1   b86a.979c.1669 Static Local ----
101      20:20::20:1   b86a.979c.1669 Static Local ----
101      21:21::21:1   b86a.979c.1669 Static Local ----
101      22:22::22:1   0000.0000.1111 Static Local ----
101      23:23::23:1   b86a.979c.1669 Static Local ----
101      24:24::24:1   b86a.979c.1669 Static Local ----
101      25:25::25:1   0000.0000.1111 Static Local ----
101      26:26::26:1   0000.0000.1111 Static Local ----
101      27:27::27:1   b86a.979c.1669 Static Local ----
101      28:28::28:1   0000.0000.1111 Static Local ----
101      29:29::29:1   b86a.979c.1669 Static Local ----
101      30:30::30:1   0000.0000.1111 Static Local ----
Total number of entries are 20
Leaf2#

```

VTEP4:

```

Leaf3#show interface counters rate mbps
+-----+-----+-----+-----+
| Interface | Rx mbps | Rx pps | Tx mbps | Tx pps |
+-----+-----+-----+-----+
ce49      0.00    1       0.00    0
ce51      0.00    0       0.00    0
ce52      0.00    0       0.00    0

```

ce54	0.00	0	0.00	0
ce55	0.00	0	0.00	0
ce56	1175.78	844671	0.00	1
po4	1175.78	844671	0.00	1
xe4	0.00	0	0.00	0
xe5	0.00	0	0.00	0
xe7	0.00	0	0.00	0
xe8	0.00	0	0.00	0
xe9	0.00	0	0.00	0
xe10	0.00	0	0.00	0
xe11	0.00	0	0.00	0
xe30	0.00	0	0.00	0
xe31	0.00	0	0.00	0
xe32	0.00	0	0.00	0

Leaf3#
Leaf3#

Leaf3#show nvo vxlan arp-cache

VXLAN ARP-CACHE Information

```
=====
```

VNID	Ip-Addr	Mac-Addr	Type	Age-Out	Retries-Left
101	11.11.11.1	0000.0000.1111	Static Local	----	
101	11.11.11.51	0000.2222.1010	Static Remote	----	
101	11.11.11.201	0000.4444.1010	Static Remote	----	
101	12.11.11.1	0000.0000.1111	Static Local	----	
101	13.11.11.1	b86a.9735.d79d	Static Local	----	
101	14.11.11.1	b86a.9735.d79d	Static Local	----	
101	15.11.11.1	0000.0000.1111	Static Local	----	
101	16.11.11.1	0000.0000.1111	Static Local	----	
101	17.11.11.1	0000.0000.1111	Static Local	----	
101	18.11.11.1	0000.0000.1111	Static Local	----	
101	19.11.11.1	b86a.9735.d79d	Static Local	----	
101	20.11.11.1	0000.0000.1111	Static Local	----	
201	21.11.21.1	0000.0000.1111	Static Local	----	
201	21.21.21.51	0000.2222.1020	Static Remote	----	
201	22.22.22.1	b86a.9735.d79d	Static Local	----	
201	23.23.23.1	0000.0000.1111	Static Local	----	
201	24.24.24.1	0000.0000.1111	Static Local	----	
201	25.25.25.1	b86a.9735.d79d	Static Local	----	
201	26.26.26.1	0000.0000.1111	Static Local	----	
201	27.27.27.1	b86a.9735.d79d	Static Local	----	
201	28.28.28.1	0000.0000.1111	Static Local	----	
201	29.29.29.1	b86a.9735.d79d	Static Local	----	
201	30.30.30.1	0000.0000.1111	Static Local	----	
201	192.85.1.2	0039.4400.0020	Dynamic Remote	----	

Total number of entries are 24

Leaf3#show nvo vxlan nd-cache

VXLAN ND-CACHE Information

```
=====
```

VNID	Ip-Addr	Mac-Addr	Type	Age
-Out	Retries-Left			
101	11:11::11:1	0000.0000.1111	Static Local	----
101	12:11::11:1	b86a.9735.d79d	Static Local	----
101	13:11::11:1	0000.0000.1111	Static Local	----
101	14:11::11:1	0000.0000.1111	Static Local	----
101	15:11::11:1	0000.0000.1111	Static Local	----
101	16:11::11:1	b86a.9735.d79d	Static Local	----
101	17:11::11:1	0000.0000.1111	Static Local	----
101	18:11::11:1	b86a.9735.d79d	Static Local	----
101	19:11::11:1	b86a.9735.d79d	Static Local	----
101	20:20::20:1	b86a.9735.d79d	Static Local	----
201	21:21::21:1	b86a.9735.d79d	Static Local	----
201	22:22::22:1	0000.0000.1111	Static Local	----
201	23:23::23:1	b86a.9735.d79d	Static Local	----
201	24:24::24:1	b86a.9735.d79d	Static Local	----
201	25:25::25:1	0000.0000.1111	Static Local	----
201	26:26::26:1	0000.0000.1111	Static Local	----
201	27:27::27:1	b86a.9735.d79d	Static Local	----

EVPN IRB - Anycast Support for Multiple Subnets

```
201      28:28::28:1          0000.0000.1111 Static Local   ----
201      29:29::29:1          b86a.9735.d79d Static Local   ----
201      30:30::30:1          0000.0000.1111 Static Local   ----
Total number of entries are 20
Leaf3#
```

VSTEP5:

Leaf4#show interface counters rate mbps

Interface	Rx mbps	Rx pps	Tx mbps	Tx pps
ce49	0.00	0	0.00	0
ce50	0.00	0	0.00	0
ce52	0.00	0	0.00	0
ce53	0.00	0	0.00	0
ce54	1175.70	844612	0.00	1
ce55	0.00	0	0.00	0
po25	1175.70	844612	0.00	1
xe7	0.00	0	0.00	0
xe12	0.00	0	0.00	0
xe13	0.00	0	0.00	0
xe14	0.00	0	0.00	0
xe15	0.00	0	0.00	0
xe16	0.00	0	0.00	0
xe17	0.00	0	0.00	0
xe18	0.00	0	0.00	0
xe30	0.00	0	0.00	0
xe31	0.00	0	0.00	0
xe32	0.00	0	0.00	0

Leaf4#show nvo vxlan arp-cache

VXLAN ARP-CACHE Information

=====

VNID	Ip-Addr	Mac-Addr	Type	Age-Out	Retries-Left
101	11.11.11.1	0000.0000.1111	Static Local	----	
101	11.11.11.51	0000.2222.1010	Static Remote	----	
101	11.11.11.201	0000.4444.1010	Static Local	----	
101	12.11.11.1	0000.0000.1111	Static Local	----	
101	13.11.11.1	1444.8f45.8dc9	Static Local	----	
101	14.11.11.1	1444.8f45.8dc9	Static Local	----	
101	15.11.11.1	0000.0000.1111	Static Local	----	
101	16.11.11.1	0000.0000.1111	Static Local	----	
101	17.11.11.1	0000.0000.1111	Static Local	----	
101	18.11.11.1	0000.0000.1111	Static Local	----	
101	19.11.11.1	1444.8f45.8dc9	Static Local	----	
101	20.11.11.1	0000.0000.1111	Static Local	----	
201	21.21.21.1	0000.0000.1111	Static Local	----	
201	21.21.21.51	0000.2222.1020	Static Remote	----	
201	22.22.22.1	1444.8f45.8dc9	Static Local	----	
201	23.23.23.1	0000.0000.1111	Static Local	----	
201	24.24.24.1	0000.0000.1111	Static Local	----	
201	25.25.25.1	1444.8f45.8dc9	Static Local	----	
201	26.26.26.1	0000.0000.1111	Static Local	----	
201	27.27.27.1	1444.8f45.8dc9	Static Local	----	
201	28.28.28.1	0000.0000.1111	Static Local	----	
201	29.29.29.1	1444.8f45.8dc9	Static Local	----	
201	30.30.30.1	0000.0000.1111	Static Local	----	
201	192.85.1.2	0039.4400.0020	Dynamic Remote	----	

Total number of entries are 24

Leaf4#show nvo vxlan nd-cache

VXLAN ND-CACHE Information

=====

VNID	Ip-Addr	Mac-Addr	Type	Age
101	11:11::11:1	0000.0000.1111	Static Local	----
101	12:11::11:1	1444.8f45.8dc9	Static Local	----

```
101      13:11::11:1          0000.0000.1111 Static Local  ----
101      14:11::11:1          0000.0000.1111 Static Local  ----
101      15:11::11:1          0000.0000.1111 Static Local  ----
101      16:11::11:1          1444.8f45.8dc9 Static Local  ----
101      17:11::11:1          0000.0000.1111 Static Local  ----
101      18:11::11:1          1444.8f45.8dc9 Static Local  ----
101      19:11::11:1          1444.8f45.8dc9 Static Local  ----
101      20:20::20:1          1444.8f45.8dc9 Static Local  ----
201      21:21::21:1          1444.8f45.8dc9 Static Local  ----
201      22:22::22:1          0000.0000.1111 Static Local  ----
201      23:23::23:1          1444.8f45.8dc9 Static Local  ----
201      24:24::24:1          1444.8f45.8dc9 Static Local  ----
201      25:25::25:1          0000.0000.1111 Static Local  ----
201      26:26::26:1          0000.0000.1111 Static Local  ----
201      27:27::27:1          1444.8f45.8dc9 Static Local  ----
201      28:28::28:1          0000.0000.1111 Static Local  ----
201      29:29::29:1          1444.8f45.8dc9 Static Local  ----
201      30:30::30:1          0000.0000.1111 Static Local  ----
```

Total number of entries are 20

Leaf4#

CHAPTER 15 EVPN-VXLAN Hybrid Port Support

This chapter contains the configurations for EVPN-VXLAN Hybrid Port Support.

Overview

This feature is to map VxLAN untagged and tagged (port+vlan) access interfaces on the same parent interface (Physical, Dynamic and Static LAG). It also supports the Bridge vlan and vxlan untagged access on the same parent interface.

Topology

The procedures in this section use the topology in [Figure 15-16](#)

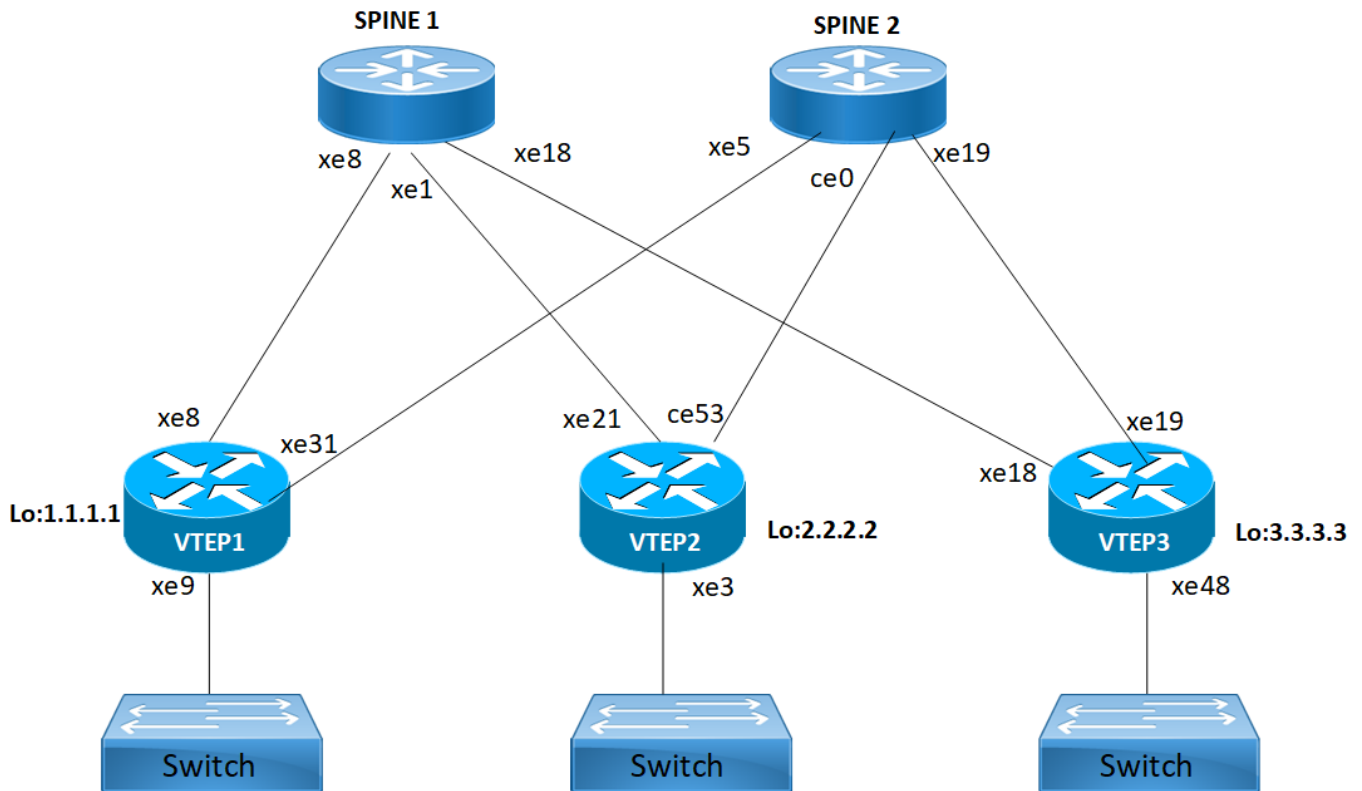


Figure 15-16: EVPN-VxLAN hybrid port

VXLAN-EVPN Hybrid Port Configuration

VTEP1

Interface and Loopback Configuration

(config)#interface xe9	Enter Interface mode for xe9
(config-if)#switchport	Make it L2 interface
(config-if)#exit	Exit Interface mode and return to Configure mode.
(config)#interface lo	Enter Interface mode for lo
(config-if)#ip address 1.1.1.1/32 secondary	Configure loopback ip address as 1.1.1.1 for VTEP1
(config-if)#exit	Exit Interface mode and return to Configure mode.
(config)#interface xe8	Enter Interface mode for xe8
(config-if)#ip address 10.10.10.1/24	Configure IP address as 10.10.10.1 on network side of Spine1
(config-if)#exit	Exit Interface mode and return to Configure mode.
(config)#interface xe31	Enter Interface mode for xe31
(config-if)#ip address 20.20.20.1/24	Configure IP address as 20.20.20.1 on network side of Spine2
(config-if)#exit	Exit Interface mode and return to Configure mode.
(config)#commit	Commit the candidate configuration to the running configuration

OSPF Configuration

(config)#router ospf 100	Enter into router OSPF mode
(config-router)#ospf router-id 1.1.1.1	Configure router-id as 1.1.1.1 (lo ip address)
(config-router)#network 1.1.1.1/32 area 0.0.0.0	Add 1.1.1.1 (lo IP address) network into area 0
(config-router)#network 10.10.10.0/24 area 0.0.0.0	Add 10.10.10.0 (Spine1) network into area 0
(config-router)#network 20.20.20.0/24 area 0.0.0.0	Add 20.20.20.0 (Spine2) network into area 0
(config-router)#bfd all-interfaces	Enabling BFD on all OSPF interface for fast convergence
(config-if)#exit	Exit Interface mode and return to Configure mode.
(config)#commit	Commit the candidate configuration to the running configuration

BGP Configuration

(config)#router bgp 500	Enter into Router BGP mode
(config-router)#bgp router-id 1.1.1.1	Configure router-id as 1.1.1.1 (lo IP address)
(config-router)#neighbor 2.2.2.2 remote-as 500	Specify a VTEP2 loopback IP address and remote-as defined
(config-router)#neighbor 2.2.2.2 update-source lo	Configure update as loopback for VTEP2
(config-router)#neighbor 2.2.2.2 advertisement-interval 0	Configure advertisement-interval as 0 for fast convergence for VTEP2
(config-router)#neighbor 3.3.3.3 remote-as 500	Specify a VTEP3 loopback IP address and remote-as defined
(config-router)#neighbor 3.3.3.3 update-source lo	Configure update as loopback for VTEP3
(config-router)#neighbor 3.3.3.3 advertisement-interval 0	Configure advertisement-interval as 0 for fast convergence for VTEP3
(config-router)#address-family ipv4 unicast	Enter into ipv4 unicast address family mode
(config-router-af)#network 1.1.1.1/32	Advertise loopback network into BGP for VTEP ID reachability
(config-router-af)#neighbor 2.2.2.2 activate	Activate 2.2.2.2 (VTEP2) into ipv4 unicast address family mode
(config-router-af)#neighbor 3.3.3.3 activate	Activate 3.3.3.3 (VTEP2) into ipv4 unicast address family mode
(config-router-af)#exit-address-family	Exit from ipv4 unicast address family mode
(config-router)#address-family l2vpn evpn	Enter into L2VPN EVPN address family mode
(config-router-af)#neighbor 2.2.2.2 activate	Activate 2.2.2.2 (VTEP2) into L2VPN evpn address family mode
(config-router-af)#neighbor 3.3.3.3 activate	Activate 3.3.3.3 (VTEP3) into L2VPN evpn address family mode
(config-router-af)#exit-address-family	Exit from L2VPN address family mode
(config-router)#exit	Exit from Router BGP mode and enter into config mode
(config)#commit	Commit the candidate configuration to the running configuration

VRF Configuration

<code>(config)#mac vrf VRF1</code>	Create mac routing/forwarding instance with VRF1 name and enter into VRF mode
<code>(config-vrf)#rd 1.1.1.1:11</code>	Assign RD value
<code>(config-vrf)#route-target both 9.9.9.9:100</code>	Assign route-target value for same for import and export. Should be same on all node for VRF1
<code>(config-vrf)#exit</code>	Exit from VRF mode
<code>(config)#commit</code>	Commit the candidate configuration to the running configuration

VxLAN Configuration

<code>(config)#nvo vxlan enable</code>	Enable VxLAN
<code>(config)#nvo vxlan vtep-ip-global 1.1.1.1</code>	Configure Source VTEP-IP-global configuration
<code>(config)#nvo vxlan id 10 ingress-replication inner-vid-disabled</code>	Configure VxLAN Network identifier with/without inner-VID-disabled configure and enter into VxLAN tenant mode
<code>(config-nvo)#vxlan host-reachability-protocol evpn-bgp VRF1</code>	Assign VRF for EVPN-BGP to carry EVPN route
<code>(config-nvo)#vni-name VNI-RED</code>	Configure VNI-name as VNI-RED
<code>(config-nvo)#exit</code>	Exit from VxLAN tenant mode and enter into configuration mode.
<code>(config)#nvo vxlan id 20 ingress-replication inner-vid-disabled</code>	Configure VxLAN Network identifier with/without inner-VID-disabled configure and enter into VxLAN tenant mode
<code>(config-nvo)#vxlan host-reachability-protocol evpn-bgp VRF1</code>	Assign VRF for EVPN-BGP to carry EVPN route
<code>(config-nvo)#vni-name VNI-BLUE</code>	Configure VNI-name as VNI-BLUE
<code>(config-nvo)#exit</code>	Exit from VxLAN tenant mode and enter into configuration mode.
<code>(config)#nvo vxlan access-if port xe9</code>	Enable port mapping i.e. access port to the physical interface
<code>(config-nvo-acc-if)#map vni-name VNI-RED</code>	Map VxLAN Identified to access-port for VxLAN
<code>(config-nvo-acc-if)#exit</code>	Exit from VxLAN access-interface mode and enter into configuration mode
<code>(config)#nvo vxlan access-if port-vlan xe9 1001</code>	Enable port-VLAN mapping i.e. access port to outer-VLAN (SVLAN) – physical interface
<code>(config-nvo-acc-if)#map vni-name VNI-RED</code>	Map VxLAN Identified to access-port for VxLAN
<code>(config-nvo-acc-if)#exit</code>	Exit from VxLAN access-interface mode and enter into configuration mode
<code>(config)#nvo vxlan access-if port-vlan xe9 2001</code>	Enable port-VLAN mapping i.e. access port to outer-VLAN (SVLAN) – physical interface
<code>(config-nvo-acc-if)#map vni-name VNI-BLUE</code>	Map VxLAN Identified to access-port for VxLAN
<code>(config-nvo-acc-if)#exit</code>	Exit from VxLAN access-interface mode and enter into configuration mode

(config)#commit	Commit the candidate configuration to the running configuration
(config)#exit	Exit from configuration mode

VTEP2

Interface and Loopback Configuration

(config)#interface xe3	Enter Interface mode for xe3
(config-if)#switchport	Make it L2 interface
(config-if)#exit	Exit Interface mode and return to Configure mode.
(config)#interface lo	Enter Interface mode for lo
(config-if)#ip address 2.2.2.2/32 secondary	Configure loopback IP address as 2.2.2.2 for VTEP2
(config-if)#exit	Exit Interface mode and return to Configure mode.
(config)#interface xe21	Enter Interface mode for xe21
(config-if)#ip address 30.30.30.1/24	Configure IP address as 30.30.30.1 on network side of Spine1
(config-if)#exit	Exit Interface mode and return to Configure mode.
(config)#interface ce53	Enter Interface mode for ce53
(config-if)#ip address 40.40.40.1/24	Configure IP address as 40.40.40.1 on network side of Spine2
(config-if)#exit	Exit Interface mode and return to Configure mode.
(config)#commit	Commit the candidate configuration to the running configuration

OSPF Configuration

(config)#router ospf 100	Enter into router OSPF mode
(config-router)#ospf router-id 2.2.2.2	Configure router-id as 2.2.2.2 (lo IP address)
(config-router)#network 2.2.2.2/32 area 0.0.0.0	Add 2.2.2.2 (lo IP address) network into area 0
(config-router)#network 30.30.30.0/24 area 0.0.0.0	Add 30.30.30.0 (Spine1) network into area 0
(config-router)#network 40.40.40.0/24 area 0.0.0.0	Add 40.40.40.0 (Spine2) network into area 0
(config-router)#bfd all-interfaces	Enabling BFD on all OSPF interface for fast convergence
(config-if)#exit	Exit Interface mode and return to Configure mode.
(config)#commit	Commit the candidate configuration to the running configuration

BGP Configuration

(config)#router bgp 500	Enter into Router BGP mode
(config-router)#bgp router-id 2.2.2.2	Configure router-id as 2.2.2.2 (lo IP address)
(config-router)#neighbor 1.1.1.1 remote-as 500	Specify a VTEP1 loopback IP address and remote-as defined
(config-router)#neighbor 1.1.1.1 update-source lo	Configure update as loopback for VTEP1
(config-router)#neighbor 1.1.1.1 advertisement-interval 0	Configure advertisement-interval as 0 for fast convergence for VTEP1
(config-router)#neighbor 3.3.3.3 remote-as 500	Specify a VTEP3 loopback IP address and remote-as defined
(config-router)#neighbor 3.3.3.3 update-source lo	Configure update as loopback for VTEP3
(config-router)#neighbor 3.3.3.3 advertisement-interval 0	Configure advertisement-interval as 0 for fast convergence for VTEP3
(config-router)#address-family ipv4 unicast	Enter into ipv4 unicast address family mode
(config-router-af)#network 2.2.2.2/32	Advertise loopback network into BGP for VTEP ID reachability
(config-router-af)#neighbor 1.1.1.1 activate	Activate 1.1.1.1 (VTEP2) into ipv4 unicast address family mode
(config-router-af)#neighbor 3.3.3.3 activate	Activate 3.3.3.3 (VTEP2) into ipv4 unicast address family mode
(config-router-af)#exit-address-family	Exit from ipv4 unicast address family mode
(config-router)#address-family l2vpn evpn	Enter into L2VPN EVPN address family mode
(config-router-af)#neighbor 1.1.1.1 activate	Activate 1.1.1.1(VTEP1) into L2VPN evpn address family mode
(config-router-af)#neighbor 3.3.3.3 activate	Activate 3.3.3.3(VTEP3) into L2VPN evpn address family mode
(config-router-af)#exit-address-family	Exit from L2VPN address family mode
(config-router)#exit	Exit from Router BGP mode and enter into config mode
(config)#commit	Commit the candidate configuration to the running configuration

VRF Configuration

(config)# mac vrf VRF1	Create mac routing/forwarding instance with VRF1 name and enter into VRF mode
(config-vrf)#rd 2.2.2.2:11	Assign RD value
(config-vrf)#route-target both 9.9.9.9:100	Assign route-target value for same for import and export. Should be same on all node for VRF1
(config-vrf)#exit	Exit from VRF mode
(config)#commit	Commit the candidate configuration to the running configuration

VxLAN Configuration

<code>(config)#nvo vxlan enable</code>	Enable VxLAN
<code>(config)#nvo vxlan vtep-ip-global 2.2.2.2</code>	Configure Source VTEP-IP-global configuration
<code>(config)#nvo vxlan id 10 ingress-replication inner-vid-disabled</code>	Configure VxLAN Network identifier with/without inner-VID-disabled configure and enter into VxLAN tenant mode
<code>(config-nvo)#vxlan host-reachability-protocol evpn-bgp VRF1</code>	Assign VRF for EVPN-BGP to carry EVPN route
<code>(config-nvo)#vni-name VNI-RED</code>	Configure VNI-name as VNI-RED
<code>(config-nvo)#exit</code>	Exit from VxLAN tenant mode and enter into configuration mode.
<code>(config)#nvo vxlan id 20 ingress-replication inner-vid-disabled</code>	Configure VxLAN Network identifier with/without inner-VID-disabled configure and enter into VxLAN tenant mode
<code>(config-nvo)#vxlan host-reachability-protocol evpn-bgp VRF1</code>	Assign VRF for EVPN-BGP to carry EVPN route
<code>(config-nvo)#vni-name VNI-BLUE</code>	Configure VNI-name as VNI-BLUE
<code>(config-nvo)#exit</code>	Exit from VxLAN tenant mode and enter into configuration mode.
<code>(config)#nvo vxlan access-if port xe3</code>	Enable port mapping i.e. access port to physical interface
<code>(config-nvo-acc-if)#map vni-name VNI-RED</code>	Map VxLAN Identified to access-port for VxLAN
<code>(config-nvo-acc-if)#exit</code>	Exit from VxLAN access-interface mode and enter into configuration mode
<code>(config)#nvo vxlan access-if port-vlan xe3 1002</code>	Enable port-VLAN mapping i.e. access port to outer-VLAN (SVLAN) – physical interface
<code>(config-nvo-acc-if)#map vni-name VNI-RED</code>	Map VxLAN Identified to access-port for VxLAN
<code>(config-nvo-acc-if)#exit</code>	Exit from VxLAN access-interface mode and enter into configuration mode
<code>(config)#nvo vxlan access-if port-vlan xe3 2001</code>	Enable port-VLAN mapping i.e. access port to outer-VLAN (SVLAN) – physical interface
<code>(config-nvo-acc-if)#map vni-name VNI-BLUE</code>	Map VxLAN Identified to access-port for VxLAN
<code>(config-nvo-acc-if)#exit</code>	Exit from VxLAN access-interface mode and enter into configuration mode
<code>(config)#commit</code>	Commit the candidate configuration to the running configuration
<code>(config)#exit</code>	Exit from configuration mode

VTEP3

Interface and loopback configuration

#configure terminal	Enter Configure mode.
(config)#interface xe48	Enter Interface mode for xe48 (SH3)
(config-if)#switchport	Make it L2 interface
(config-if)#exit	Exit Interface mode and return to Configure mode.
(config)#interface lo	Enter Interface mode for lo
(config-if)#ip address 3.3.3.3/32 secondary	Configure loopback IP address as 3.3.3.3 for VTEP3
(config-if)#exit	Exit Interface mode and return to Configure mode.
(config)#interface xe18	Enter Interface mode for xe18
(config-if)#ip address 50.50.50.1/24	Configure IP address as 50.50.50.1 on network side of Spine1
(config-if)#exit	Exit Interface mode and return to Configure mode.
(config)#interface xe19	Enter Interface mode for xe19
(config-if)#ip address 60.60.60.1/24	Configure IP address as 60.60.60.1 on network side of Spine2
(config-if)#exit	Exit Interface mode and return to Configure mode.
(config)#commit	Commit the candidate configuration to the running configuration

OSPF Configuration

(config)#router ospf 100	Enter into router OSPF mode
(config-router)#ospf router-id 3.3.3.3	Configure router-ID as 3.3.3.3 (lo IP address)
(config-router)#network 3.3.3.3/32 area 0.0.0.0	Add 3.3.3.3 (lo IP address) network into area 0
(config-router)#network 50.50.50.0/24 area 0.0.0.0	Add 50.50.50.0 (Spine1) network into area 0
(config-router)#network 60.60.60.0/24 area 0.0.0.0	Add 60.60.60.0 (Spine2) network into area 0
(config-router)#bfd all-interfaces	Enabling BFD on all OSPF interface for fast convergence
(config-if)#exit	Exit Interface mode and return to Configure mode.
(config)#commit	Commit the candidate configuration to the running configuration

BGP Configuration

(config)#router bgp 500	Enter into Router BGP mode
(config-router)#bgp router-id 3.3.3.3	Configure router-ID as 3.3.3.3 (lo ip address)
(config-router)#neighbor 1.1.1.1 remote-as 500	Specify a VTEP1 loopback IP address and remote-as defined
(config-router)#neighbor 1.1.1.1 update-source lo	Configure update as loopback for VTEP1
(config-router)#neighbor 1.1.1.1 advertisement-interval 0	Configure advertisement-interval as 0 for fast convergence for VTEP1
(config-router)#neighbor 2.2.2.2 remote-as 500	Specify a VTEP2 loopback IP address and remote-as defined
(config-router)#neighbor 2.2.2.2 update-source lo	Configure update as loopback for VTEP2
(config-router)#neighbor 2.2.2.2 advertisement-interval 0	Configure advertisement-interval as 0 for fast convergence for VTEP3
(config-router)#address-family ipv4 unicast	Enter into ipv4 unicast address family mode
(config-router-af)#network 3.3.3.3/32	Advertise loopback network into BGP for VTEP ID reachability
(config-router-af)#neighbor 1.1.1.1 activate	Activate 1.1.1.1 (VTEP2) into ipv4 unicast address family mode
(config-router-af)#neighbor 2.2.2.2 activate	Activate 2.2.2.2 (VTEP2) into ipv4 unicast address family mode
(config-router-af)#exit-address-family	Exit from ipv4 unicast address family mode
(config-router)#address-family l2vpn evpn	Enter into L2VPN EVPN address family mode
(config-router-af)#neighbor 1.1.1.1 activate	Activate 1.1.1.1 (VTEP1) into L2VPN evpn address family mode
(config-router-af)#neighbor 2.2.2.2 activate	Activate 2.2.2.2 (VTEP2) into L2VPN evpn address family mode
(config-router-af)#exit-address-family	Exit from L2VPN address family mode
(config-router)#exit	Exit from Router BGP mode and enter into config mode
(config)#commit	Commit the candidate configuration to the running configuration

VRF Configuration

(config)# mac vrf VRF1	Create MAC routing/forwarding instance with VRF1 name and enter into VRF mode
(config-vrf)#rd 3.3.3.3:11	Assign RD value
(config-vrf)#route-target both 9.9.9.9:100	Assign route-target value for same for import and export. Should be same on all node for VRF1
(config-vrf)#exit	Exit from VRF mode
(config)#commit	Commit the candidate configuration to the running configuration

VxLAN Configuration

(config)#nvo vxlan enable	Enable VxLAN
(config)#nvo vxlan vtep-ip-global 3.3.3.3	Configure Source VTEP-IP-global configuration
(config)#nvo vxlan id 10 ingress-replication inner-vid-disabled	Configure VxLAN Network identifier with/without inner-VID-disabled configure and enter into VxLAN tenant mode
(config-nvo)#vxlan host-reachability-protocol evpn-bgp VRF1	Assign VRF for EVPN-BGP to carry EVPN route
(config-nvo)#vni-name VNI-RED	Configure VNI-name as VNI-RED
(config-nvo)#exit	Exit from VxLAN tenant mode and enter into configuration mode.
(config)#nvo vxlan id 20 ingress-replication inner-vid-disabled	Configure VxLAN Network identifier with/without inner-VID-disabled configure and enter into VxLAN tenant mode
(config-nvo)#vxlan host-reachability-protocol evpn-bgp VRF1	Assign VRF for EVPN-BGP to carry EVPN route
(config-nvo)#vni-name VNI-BLUE	Configure VNI-name as VNI-BLUE
(config-nvo)#exit	Exit from VxLAN tenant mode and enter into configuration mode.
(config)#nvo vxlan access-if port xe48	Enable port mapping i.e. access port to physical interface
(config-nvo-acc-if)#map vni-name VNI-RED	Map VxLAN Identified to access-port for VxLAN
(config-nvo-acc-if)#exit	Exit from VxLAN access-interface mode and enter into configuration mode
(config)#nvo vxlan access-if port-vlan xe48 1001	Enable port-VLAN mapping i.e. access port to outer-VLAN (SVLAN) – physical interface
(config-nvo-acc-if)#map vni-name VNI-RED	Map VxLAN Identified to access-port for VxLAN
(config-nvo-acc-if)#exit	Exit from VxLAN access-interface mode and enter into configuration mode
(config)#nvo vxlan access-if port-vlan xe48 2001	Enable port-VLAN mapping i.e. access port to outer-VLAN (SVLAN) – physical interface
(config-nvo-acc-if)#map vni-name VNI-BLUE	Map VxLAN Identified to access-port for VxLAN
(config-nvo-acc-if)#exit	Exit from VxLAN access-interface mode and enter into configuration mode

(config)#commit	Commit the candidate configuration to the running configuration
(config)#exit	Exit from configuration mode

Spine 1

Spine node where all VTEPs are connected

Interface and Loopback Configuration

#configure terminal	Enter Configure mode.
(config)#qos enable	Enabling QoS
(config)#interface lo	Enter Interface mode for lo
(config-if)#ip address 11.11.11.11/32 secondary	Configure loopback IP address as 11.11.11.11 for Spine1
(config-if)#exit	Exit Interface mode and return to Configure mode.
(config)#interface xe8	Enter Interface mode for xe8
(config-if)#ip address 10.10.10.2/24	Configure IP address as 10.10.10.2 on network side of VTEP1
(config-if)#exit	Exit Interface mode and return to Configure mode.
(config)#interface xe1	Enter Interface mode for xe1
(config-if)#ip address 30.30.30.2/24	Configure IP address as 30.30.30.2 on network side of VTEP2
(config-if)#exit	Exit Interface mode and return to Configure mode.
(config)#interface xe18	Enter Interface mode for xe18
(config-if)#ip address 50.50.50.2/24	Configure IP address as 50.50.50.2 on network side of VTEP3
(config-if)#exit	Exit Interface mode and return to Configure mode.
(config)#commit	Commit the candidate configuration to the running configuration

OSPF configuration

(config)#router ospf 100	Enter into router OSPF mode
(config-router)#ospf router-id 11.11.11.11	Configure router-ID as 11.11.11.11 (lo IP address)
(config-router)#network 11.11.11.11/32 area 0.0.0.0	Add 11.11.11.11 (lo IP address) network into area 0
(config-router)#network 10.10.10.0/24 area 0.0.0.0	Add 10.10.10.0 (VTEP1) network into area 0
(config-router)#network 30.30.30.0/24 area 0.0.0.0	Add 30.30.30.0 (VTEP2) network into area 0
(config-router)#network 50.50.50.0/24 area 0.0.0.0	Add 50.50.50.0 (VTEP3) network into area 0

(config-router) #bfd all-interfaces	Enabling BFD on all OSPF interface for fast convergence
(config-if) #exit	Exit Interface mode and return to Configure mode.
(config) #commit	Commit the candidate configuration to the running configuration

Spine 2

Spine node where all VTEPs are connected

Interface and loopback configuration

(config) #interface lo	Enter Interface mode for lo
(config-if) #ip address 22.22.22.22/32 secondary	Configure loopback IP address as 22.22.22.22 for Spine2
(config-if) #exit	Exit Interface mode and return to Configure mode.
(config) #interface xe5	Enter Interface mode for xe5
(config-if) #ip address 20.20.20.2/24	Configure IP address as 20.20.20.2 on network side of VTEP1
(config-if) #exit	Exit Interface mode and return to Configure mode.
(config) #interface ce0	Enter Interface mode for ce0
(config-if) #ip address 40.40.40.2/24	Configure IP address as 40.40.40.2 on network side of VTEP2
(config-if) #exit	Exit Interface mode and return to Configure mode.
(config) #interface xe19	Enter Interface mode for xe19
(config-if) #ip address 60.60.60.2/24	Configure IP address as 60.60.60.2 on network side of VTEP3
(config-if) #exit	Exit Interface mode and return to Configure mode.
(config) #commit	Commit the candidate configuration to the running configuration

OSPF configuration

(config)#router ospf 100	Enter into router OSPF mode
(config-router)#ospf router-id 22.22.22.22	Configure router-id as 11.11.11.11 (lo IP address)
(config-router)#network 22.22.22.22/32 area 0.0.0.0	Add 22.22.22.22 (lo IP address) network into area 0
(config-router)#network 20.20.20.0/24 area 0.0.0.0	Add 20.20.20.0 (VTEP1) network into area 0
(config-router)#network 40.40.40.0/24 area 0.0.0.0	Add 40.40.40.0 (VTEP2) network into area 0
(config-router)#network 60.60.60.0/24 area 0.0.0.0	Add 60.60.60.0 (VTEP3) network into area 0
(config-router)#bfd all-interfaces	Enabling BFD on all OSPF interface for fast convergence
(config-if)#exit	Exit Interface mode and return to Configure mode.
(config)#commit	Commit the candidate configuration to the running configuration

Validation

VTEP1

```
VTEP1#sh nvo vxlan
```

```
VXLAN Information
```

```
=====
```

```
Codes: NW - Network Port
       AC - Access Port
       (u) - Untagged
```

VNID Status	VNI-Name Src-Addr	VNI-Type Type Dst-Addr	Interface	ESI	VLAN	DF-
10 ---	VNI-RED 1.1.1.1	L2 NW 3.3.3.3	----	----	----	-
10 ---	VNI-RED 1.1.1.1	L2 NW 2.2.2.2	----	----	----	-
10 --	VNI-RED -----	-- AC	xe9	---	Single Homed Port	---
10 --	VNI-RED -----	-- AC	xe9	---	Single Homed Port	---
20 ---	VNI-BLUE 1.1.1.1	L2 NW 3.3.3.3	----	----	----	-
20 ---	VNI-BLUE 1.1.1.1	L2 NW 2.2.2.2	----	----	----	-
20 --	VNI-BLUE -----	-- AC	xe9	---	Single Homed Port	---
					2001	--

Total number of entries are 7

VTEP1#sh nvo vxlan access-if brief

Interface	Vlan	Inner vlan	Ifindex	Vnid	Admin status	Link status
xe57	---	---	500000	10	up	up
xe57	1001	---	500001	10	up	up
xe57	2001	---	500002	20	up	up

Total number of entries are 3

VTEP1#show bgp l2vpn evpn summary

BGP router identifier 1.1.1.1, local AS number 500
 BGP table version is 4
 1 BGP AS-PATH entries
 0 BGP community entries

Neighbor PfxRcd	AD	MACIP	V MCAST	AS	MsgRcv ESI	MsgSen PREFIX-ROUTE	TblVer	InQ	OutQ	Up/Down	State/
2.2.2.2			4	500	53	54	3	0	0	00:20:58	
2	0	0	2	0	0						
3.3.3.3			4	500	53	53	3	0	0	00:20:58	
2	0	0	2	0	0						

Total number of neighbors 2

Total number of Established sessions 2

VTEP1#show nvo vxlan tunnel

VXLAN Network tunnel Entries

Source	Destination	Status	Up/Down	Update
1.1.1.1	3.3.3.3	Installed	00:10:44	00:10:44
1.1.1.1	2.2.2.2	Installed	00:10:58	00:10:58

Total number of entries are 2

VTEP1#show bgp l2vpn evpn

BGP table version is 4, local router ID is 1.1.1.1

Status codes: s suppressed, d damped, h history, a add-path, * valid, > best, i - internal,

l - labeled, S Stale

Origin codes: i - IGP, e - EGP, ? - incomplete

[EVPN route type]:[ESI]:[VNID]:[relevent route informantion]

1 - Ethernet Auto-discovery Route

2 - MAC/IP Route

- 3 - Inclusive Multicast Route
- 4 - Ethernet Segment Route
- 5 - Prefix Route

Network Encap	Next Hop	Metric	LocPrf	Weight	Path	Peer
RD[1.1.1.1:1] VRF[VRF1]:						
*> [3]:[10]:[32,1.1.1.1]						
	1.1.1.1	0	100	32768	i	-----
VXLAN						
* i[3]:[10]:[32,2.2.2.2]						
	2.2.2.2	0	100	0	i	2.2.2.2 VXLAN
* i[3]:[10]:[32,3.3.3.3]						
	3.3.3.3	0	100	0	i	3.3.3.3 VXLAN
*> [3]:[20]:[32,1.1.1.1]						
	1.1.1.1	0	100	32768	i	-----
VXLAN						
* i[3]:[20]:[32,2.2.2.2]						
	2.2.2.2	0	100	0	i	2.2.2.2 VXLAN
* i[3]:[20]:[32,3.3.3.3]						
	3.3.3.3	0	100	0	i	3.3.3.3 VXLAN
RD[2.2.2.2:1]						
*>i[3]:[10]:[32,2.2.2.2]						
	2.2.2.2	0	100	0	i	2.2.2.2 VXLAN
*>i[3]:[20]:[32,2.2.2.2]						
	2.2.2.2	0	100	0	i	2.2.2.2 VXLAN
RD[3.3.3.3:1]						
*>i[3]:[10]:[32,3.3.3.3]						
	3.3.3.3	0	100	0	i	3.3.3.3 VXLAN
*>i[3]:[20]:[32,3.3.3.3]						
	3.3.3.3	0	100	0	i	3.3.3.3 VXLAN

Total number of prefixes 10

VTEP2

VTEP2#sh nvo vxlan

VXLAN Information

=====

Codes: NW - Network Port
 AC - Access Port
 (u) - Untagged

VNID Status	VNI-Name Src-Addr	VNI-Type Type Dst-Addr	Interface	ESI	VLAN	DF-
-------------	-------------------	------------------------	-----------	-----	------	-----

EVPN-VXLAN Hybrid Port Support

```

10      VNI-RED      L2      NW      ----      ----      ----      -
---      2.2.2.2      1.1.1.1
10      VNI-RED      L2      NW      ----      ----      ----      -
---      2.2.2.2      3.3.3.3
10      VNI-RED      --      AC      xe8      --- Single Homed Port --- 0      -
---      ----
10      VNI-RED      --      AC      xe8      --- Single Homed Port --- 1001     -
---      ----
20      VNI-BLUE     L2      NW      ----      ----      ----      -
---      2.2.2.2      1.1.1.1
20      VNI-BLUE     L2      NW      ----      ----      ----      -
---      2.2.2.2      3.3.3.3
20      VNI-BLUE     --      AC      xe8      --- Single Homed Port --- 2001     -
---      ----

```

Total number of entries are 7

VTEP2#sh nvo vxlan access-if brief

Interface	Vlan	Inner vlan	Ifindex	Vnid	Admin status	Link status
xe8	---	---	500000	10	up	up
xe8	1001	---	500001	10	up	up
xe8	2001	---	500002	20	up	up

Total number of entries are 3

VTEP2#show bgp l2vpn evpn summary

BGP router identifier 2.2.2.2, local AS number 500

BGP table version is 4

1 BGP AS-PATH entries

0 BGP community entries

Neighbor PfxRcd	AD	MACIP	V MCAST	AS	MsgRcv ESI	MsgSen PREFIX-ROUTE	TblVer	InQ	OutQ	Up/Down	State/
1.1.1.1			4	500	53	53	3	0	0	00:20:56	
2	0	0	2	0	0						
3.3.3.3			4	500	51	54	3	0	0	00:20:56	
2	0	0	2	0	0						

Total number of neighbors 2

Total number of Established sessions 2

VTEP2#show nvo vxlan tunnel

VXLAN Network tunnel Entries

Source	Destination	Status	Up/Down	Update
2.2.2.2	1.1.1.1	Installed	00:11:01	00:11:01

```
2.2.2.2          3.3.3.3          Installed          00:10:47          00:10:47
```

```
Total number of entries are 2
```

```
VTEP2#show bgp l2vpn evpn
```

```
BGP table version is 4, local router ID is 2.2.2.2
```

```
Status codes: s suppressed, d damped, h history, a add-path, * valid, > best, i - internal,
```

```
l - labeled, S Stale
```

```
Origin codes: i - IGP, e - EGP, ? - incomplete
```

```
[EVPN route type]:[ESI]:[VNID]:[relevent route informantion]
```

```
1 - Ethernet Auto-discovery Route
```

```
2 - MAC/IP Route
```

```
3 - Inclusive Multicast Route
```

```
4 - Ethernet Segment Route
```

```
5 - Prefix Route
```

Network Encap	Next Hop	Metric	LocPrf	Weight	Path	Peer
RD[1.1.1.1:1]						
*>i [3]:[10]:[32,1.1.1.1]	1.1.1.1	0	100	0	i 1.1.1.1	VXLAN
*>i [3]:[20]:[32,1.1.1.1]	1.1.1.1	0	100	0	i 1.1.1.1	VXLAN
RD[2.2.2.2:1] VRF[VRF1]:						
* i [3]:[10]:[32,1.1.1.1]	1.1.1.1	0	100	0	i 1.1.1.1	VXLAN
*> [3]:[10]:[32,2.2.2.2]	2.2.2.2	0	100	32768	i -----	
VXLAN						
* i [3]:[10]:[32,3.3.3.3]	3.3.3.3	0	100	0	i 3.3.3.3	VXLAN
* i [3]:[20]:[32,1.1.1.1]	1.1.1.1	0	100	0	i 1.1.1.1	VXLAN
*> [3]:[20]:[32,2.2.2.2]	2.2.2.2	0	100	32768	i -----	
VXLAN						
* i [3]:[20]:[32,3.3.3.3]	3.3.3.3	0	100	0	i 3.3.3.3	VXLAN
RD[3.3.3.3:1]						
*>i [3]:[10]:[32,3.3.3.3]	3.3.3.3	0	100	0	i 3.3.3.3	VXLAN
*>i [3]:[20]:[32,3.3.3.3]	3.3.3.3	0	100	0	i 3.3.3.3	VXLAN

```
Total number of prefixes 10
```

VTEP3

VTEP3#sh nvo vxlan

VXLAN Information

=====

Codes: NW - Network Port
 AC - Access Port
 (u) - Untagged

VNIID Status	VNI-Name Src-Addr	VNI-Type Type	Interface ESI Dst-Addr	VLAN	DF-
10 ---	VNI-RED 3.3.3.3	L2	NW 2.2.2.2	----	-
10 ---	VNI-RED 3.3.3.3	L2	NW 1.1.1.1	----	-
10 ---	VNI-RED ----	--	AC ----	cel13/1 ---	Single Homed Port ---
10 ---	VNI-RED ----	--	AC ----	cel13/1 ---	Single Homed Port ---
20 ---	VNI-BLUE 3.3.3.3	L2	NW 2.2.2.2	----	-
20 ---	VNI-BLUE 3.3.3.3	L2	NW 1.1.1.1	----	-
20 ---	VNI-BLUE ----	--	AC ----	cel13/1 ---	Single Homed Port ---

Total number of entries are 7

VTEP3#sh nvo vxlan access-if brief

Interface	Vlan	Inner vlan	Ifindex	Vnid	Admin status	Link status
cel13/1	---	---	500000	10	up	up
cel13/1	1001	---	500001	10	up	up
cel13/1	2001	---	500002	20	up	up

Total number of entries are 3

VTEP3#show bgp l2vpn evpn summary

BGP router identifier 3.3.3.3, local AS number 500

BGP table version is 3

1 BGP AS-PATH entries

0 BGP community entries

Neighbor PfxRcd	AD	MACIP	V MCAST	AS	MsgRcv ESI	MsgSen PREFIX-ROUTE	TblVer	InQ	OutQ	Up/Down	State/
1.1.1.1			4	500	52	52	3	0	0	00:20:37	
2	0	0	2	0	0						
2.2.2.2			4	500	52	51	3	0	0	00:20:37	
2	0	0	2	0	0						

Total number of neighbors 2

Total number of Established sessions 2

```
VTEP3#show nvo vxlan tunnel
VXLAN Network tunnel Entries
```

Source	Destination	Status	Up/Down	Update
3.3.3.3	2.2.2.2	Installed	00:10:50	00:10:50
3.3.3.3	1.1.1.1	Installed	00:10:50	00:10:50

Total number of entries are 2

```
VTEP3#show bgp l2vpn evpn
```

BGP table version is 3, local router ID is 3.3.3.3

Status codes: s suppressed, d damped, h history, a add-path, * valid, > best, i - internal,

l - labeled, S Stale

Origin codes: i - IGP, e - EGP, ? - incomplete

[EVPN route type]:[ESI]:[VNID]:[relevent route informantion]

1 - Ethernet Auto-discovery Route

2 - MAC/IP Route

3 - Inclusive Multicast Route

4 - Ethernet Segment Route

5 - Prefix Route

Network Encap	Next Hop	Metric	LocPrf	Weight	Path	Peer
RD[1.1.1.1:1]						
*>i [3]:[10]:[32,1.1.1.1]	1.1.1.1	0	100	0	i 1.1.1.1	VXLAN
*>i [3]:[20]:[32,1.1.1.1]	1.1.1.1	0	100	0	i 1.1.1.1	VXLAN
RD[2.2.2.2:1]						
*>i [3]:[10]:[32,2.2.2.2]	2.2.2.2	0	100	0	i 2.2.2.2	VXLAN
*>i [3]:[20]:[32,2.2.2.2]	2.2.2.2	0	100	0	i 2.2.2.2	VXLAN
RD[3.3.3.3:1] VRF[VRF1]:						
* i [3]:[10]:[32,1.1.1.1]	1.1.1.1	0	100	0	i 1.1.1.1	VXLAN
* i [3]:[10]:[32,2.2.2.2]	2.2.2.2	0	100	0	i 2.2.2.2	VXLAN
*> [3]:[10]:[32,3.3.3.3]	3.3.3.3	0	100	32768	i -----	
VXLAN						
* i [3]:[20]:[32,1.1.1.1]	1.1.1.1	0	100	0	i 1.1.1.1	VXLAN

EVPN-VXLAN Hybrid Port Support

```
* i [3]:[20]:[32,2.2.2.2]
      2.2.2.2          0          100          0          i 2.2.2.2          VXLAN
*> [3]:[20]:[32,3.3.3.3]
      3.3.3.3          0          100          32768          i -----
VXLAN
```

Total number of prefixes 10

CHAPTER 16 VXLAN-EVPN Symmetric IRB Support with Connected host

Overview

EVPN-IRB facilitates communication between two L2VNI's with the help of Routing using IP-VRF. This feature provides the Host (/32 or /128) based Symmetric IRB support which forwards the inter-subnet traffic directly towards the Host attached VTEP.

To achieve this Connected Host, we should configure "evpn irb-advertise-host-route" under VNID(BGP type 2) configs or "redistribute connected-host-routes" under bgp(BGP type 5).

Note: On VXLAN-EVPN Interface less mode only "redistribute connected-host-routes" command is supported and in interface full both the commands are supported.

Note: It is recommended to have route map in esi configured MH nodes to block the Host from peer MH. Not required in non esi MH VTEP

Topology

The procedures in this section use the topology in [Figure 16-1](#)

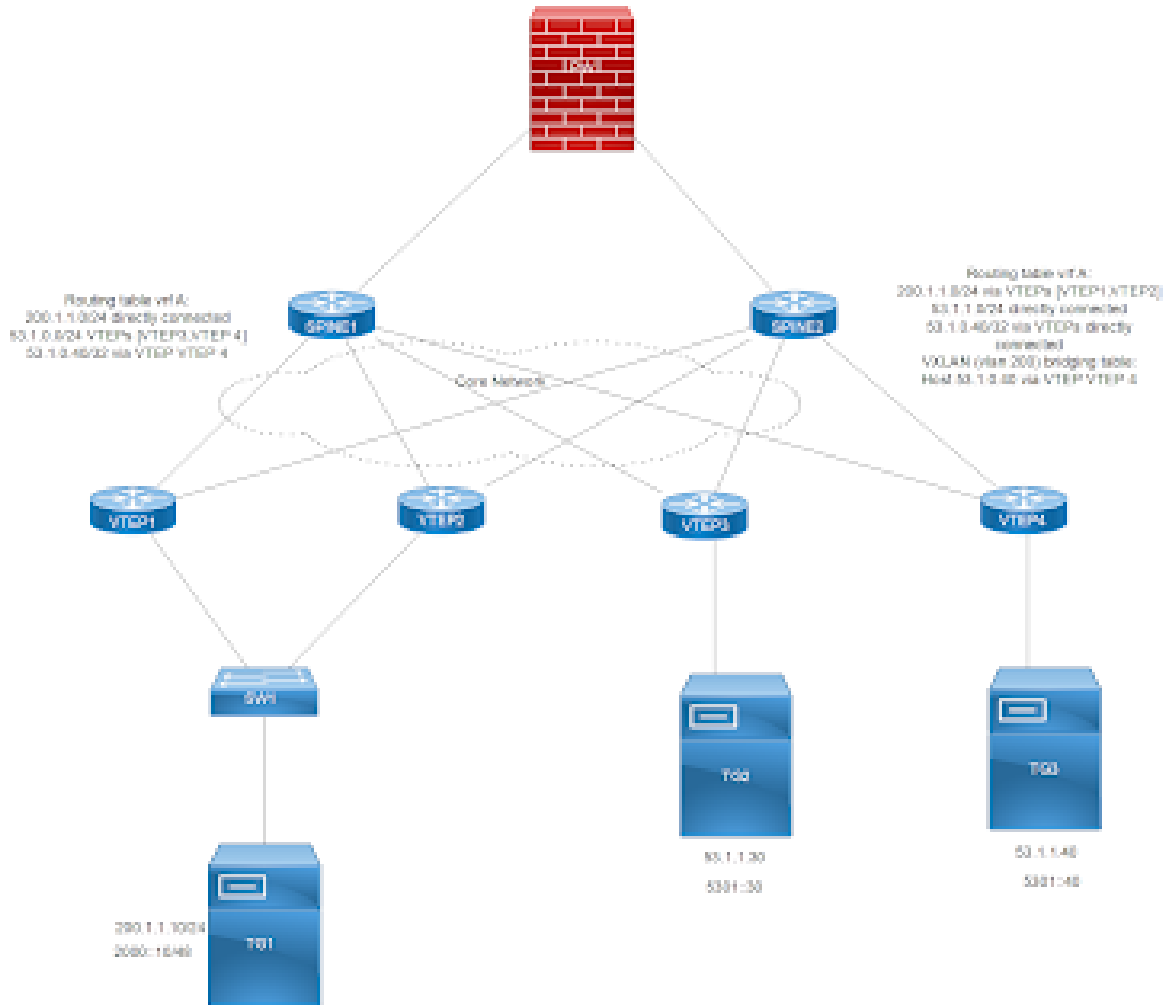


Figure 16-1: VxLAN_EVPN_IRB_Connected_host

Note: In the above topology TG1 is Multi homed Host and TG2 and TG3 are Single homed host with same subnet configured so there will be ECMP for 53 network in VTEP1 and VTEP2.

Base Configurations

Have base configuration with Symmetric IRB configurations on VTEPs and start sending dynamic traffic from VTEP4 on same subnet(53.1.1.40/5301::40) of IRB interface.

Validation

Verification before configuring `evpn irb-advertise-host-route` under VNID configs or redistribute `connected-host-routes` under `bgp`.

In VTEP1:

```
VTEP1#show ip route vrf vxlan_l3_elan_mhsh
Codes: K - kernel, C - connected, S - static, R - RIP, B - BGP
       O - OSPF, IA - OSPF inter area
       N1 - OSPF NSSA external type 1, N2 - OSPF NSSA external type 2
       E1 - OSPF external type 1, E2 - OSPF external type 2
       i - IS-IS, L1 - IS-IS level-1, L2 - IS-IS level-2,
       ia - IS-IS inter area, E - EVPN,
       v - vrf leaked
       * - candidate default

IP Route Table for VRF "vxlan_l3_elan_mhsh"
B       2.2.2.2/32 [0/0] is directly connected, tunvxlan3, 00:21:33
B       5.5.5.5/32 [0/0] is directly connected, tunvxlan3, 00:21:33
B       6.6.6.6/32 [0/0] is directly connected, tunvxlan3, 00:21:33
B       53.1.1.0/24 [200/0] via 6.6.6.6 (recursive is directly connected,
tunvxlan3), 00:21:34
                               [200/0] via 5.5.5.5 (recursive is directly connected,
tunvxlan3)
C       127.0.0.0/8 is directly connected, lo.vxlan_l3_elan_mhsh, 07:17:43
C       200.1.1.0/24 is directly connected, irb1604, 07:17:41
```

Gateway of last resort is not set

```
VTEP1#
VTEP1#show ipv6 route vrf vxlan_l3_elan_mhsh
IPv6 Routing Table
IP Route Table for VRF "vxlan_l3_elan_mhsh"
C       ::1/128 via ::, lo.vxlan_l3_elan_mhsh, 07:18:01
B       ::ffff:202:202/128 [0/0] via ::, tunvxlan3, 00:21:51
B       ::ffff:505:505/128 [0/0] via ::, tunvxlan3, 00:21:51
B       ::ffff:606:606/128 [0/0] via ::, tunvxlan3, 00:21:51
C       2000::/48 via ::, irb1604, 07:17:59
B       5301::/48 [200/0] via ::ffff:606:606 (recursive via ::, tunvxlan3), 00:21:52
                               [200/0] via ::ffff:505:505 (recursive via ::, tunvxlan3)
C       fe80::/64 via ::, irb1604, 07:17:59
VTEP1#
```

In VTEP2:

```
VTEP2#show ip route vrf vxlan_l3_elan_mhsh
IP Route Table for VRF "vxlan_l3_elan_mhsh"
B       1.1.1.1/32 [0/0] is directly connected, tunvxlan3, 00:22:50
B       5.5.5.5/32 [0/0] is directly connected, tunvxlan3, 00:22:50
B       6.6.6.6/32 [0/0] is directly connected, tunvxlan3, 00:22:50
B       53.1.1.0/24 [200/0] via 6.6.6.6 (recursive is directly connected,
tunvxlan3), 00:22:51
                               [200/0] via 5.5.5.5 (recursive is directly connected,
tunvxlan3)
C       127.0.0.0/8 is directly connected, lo.vxlan_l3_elan_mhsh, 07:19:21
C       200.1.1.0/24 is directly connected, irb1604, 07:19:19
```

```

Gateway of last resort is not set
VTEP2#
VTEP2#
VTEP2#show ipv6 route vrf vxlan_l3_elan_mhsh
IPv6 Routing Table
IP Route Table for VRF "vxlan_l3_elan_mhsh"
C      ::1/128 via ::, lo.vxlan_l3_elan_mhsh, 07:19:22
B      ::ffff:101:101/128 [0/0] via ::, tunvxlan3, 00:22:51
B      ::ffff:505:505/128 [0/0] via ::, tunvxlan3, 00:22:51
B      ::ffff:606:606/128 [0/0] via ::, tunvxlan3, 00:22:51
C      2000::/48 via ::, irb1604, 07:19:20
B      5301::/48 [200/0] via ::ffff:606:606 (recursive via ::, tunvxlan3), 00:22:51
        [200/0] via ::ffff:505:505 (recursive via ::, tunvxlan3)
C      fe80::/64 via ::, irb1604, 07:19:20
VTEP2#
VTEP2#show bgp l2vpn evpn mac-ip | grep 0000:0053:0040
0          605          0000:0053:0040 --
605          0          6.6.6.6          --          VXLAN
0          605          0000:0053:0040 53.1.1.40
605          0          6.6.6.6          --          VXLAN
0          605          0000:0053:0040 5301::40
605          0          6.6.6.6          --          VXLAN
VTEP2#

```

In VTEP4:

```

VTEP4#show bgp l2vpn evpn mac-ip | grep 0000:0053:0040
0          605          0000:0053:0040 --
605          0          6.6.6.6          --          VXLAN
0          605          0000:0053:0040 53.1.1.40
605          0          6.6.6.6          --          VXLAN
0          605          0000:0053:0040 5301::40
605          0          6.6.6.6          --          VXLAN
VTEP4#

```

Evpn irb-advertise-host-route configuration

#configure terminal	Enter Configure mode.
(config)#nvo vxlan id 605 ingress-replication inner-vid-disabled	Configure VXLAN Network identifier with inner-vid disabled
(config-nvo)#vxlan host-reachability-protocol evpn-bgp vxlan_l2_elan_sh2	Assign VRF for EVPN-BGP to carry EVPN route
(config-nvo)#evpn irb605	Configure IRB under VXLAN ID
(config-nvo)#evpn irb-advertise-host-route	To Update the Route Target 2 along with IPvrf RT, router mac , l3vrid to advertise mac-p routes as /32 or /128.

Redistributed connected-host-routes

#configure terminal	Enter Configure mode.
(config)#router bgp 1	Configure bgp process

(config-router)#address-family ipv4 vrf vxlan_l3_elan_sh	Enter vrf address family belong to the irb interface subnet
VTEP4 (config-router-af)#redistribute connected-host-routes	To advertise the Connected Host Routes to VPN peers.

Note: With static mac ip configured on vxlan access interface and when redistribute connected-host-routes is configured under bgp. Then routes will not be advertised as /32 or /128 because for static mac-ip Arp entry will not be present so only for dynamic routes.

Note: With redistribute connected-host-routes, show bgp l2vpn evpn mac-ip will not show the l3vniid.

Validation

In VTEP1:

```
VTEP1#show ip route vrf vxlan_l3_elan_mhsh
IP Route Table for VRF "vxlan_l3_elan_mhsh"
B          2.2.2.2/32 [0/0] is directly connected, tunvxlan3, 00:37:03
B          5.5.5.5/32 [0/0] is directly connected, tunvxlan3, 00:37:03
B          6.6.6.6/32 [0/0] is directly connected, tunvxlan3, 00:37:03
B          53.1.1.0/24 [200/0] via 6.6.6.6 (recursive is directly connected,
tunvxlan3), 00:37:04
                                     [200/0] via 5.5.5.5 (recursive is directly connected,
tunvxlan3)
B          53.1.1.40/32 [200/0] via 6.6.6.6 (recursive is directly connected,
tunvxlan3), 00:05:49
C          127.0.0.0/8 is directly connected, lo.vxlan_l3_elan_mhsh, 07:33:13
C          200.1.1.0/24 is directly connected, irb1604, 07:33:11
Gateway of last resort is not set
VTEP1#
VTEP1#show ipv6 route vrf vxlan_l3_elan_mhsh
IPv6 Routing Table
IP Route Table for VRF "vxlan_l3_elan_mhsh"
C          ::1/128 via ::, lo.vxlan_l3_elan_mhsh, 07:33:21
B          ::ffff:202:202/128 [0/0] via ::, tunvxlan3, 00:37:11
B          ::ffff:505:505/128 [0/0] via ::, tunvxlan3, 00:37:11
B          ::ffff:606:606/128 [0/0] via ::, tunvxlan3, 00:37:11
C          2000::/48 via ::, irb1604, 07:33:19
B          5301::/48 [200/0] via ::ffff:606:606 (recursive via ::, tunvxlan3), 00:37:12
                                     [200/0] via ::ffff:505:505 (recursive via ::, tunvxlan3)
B          5301::40/128 [200/0] via ::ffff:606:606 (recursive via ::, tunvxlan3), 00:05:57
C          fe80::/64 via ::, irb1604, 07:33:19
VTEP1#
VTEP1#show bgp l2vpn evpn mac-ip | grep 0000:0053:0040
0          605          0000:0053:0040 --
605          0          6.6.6.6          --          VXLAN
0          605          0000:0053:0040 53.1.1.40
605          1604          6.6.6.6          --          VXLAN
0          605          0000:0053:0040 5301::40
605          1604          6.6.6.6          --          VXLAN
```

VTEP1#

In VTEP2:

```
VTEP2#show ip route vrf vxlan_l3_elan_mhsh
IP Route Table for VRF "vxlan_l3_elan_mhsh"
B          1.1.1.1/32 [0/0] is directly connected, tunvxlan3, 00:31:16
B          5.5.5.5/32 [0/0] is directly connected, tunvxlan3, 00:31:16
B          6.6.6.6/32 [0/0] is directly connected, tunvxlan3, 00:31:16
B          53.1.1.0/24 [200/0] via 6.6.6.6 (recursive is directly connected,
tunvxlan3), 00:31:17
                                     [200/0] via 5.5.5.5 (recursive is directly connected,
tunvxlan3)
B          53.1.1.40/32 [200/0] via 6.6.6.6 (recursive is directly connected,
tunvxlan3), 00:00:03
C          127.0.0.0/8 is directly connected, lo.vxlan_l3_elan_mhsh, 07:27:47
C          200.1.1.0/24 is directly connected, irb1604, 07:27:45
Gateway of last resort is not set
```

VTEP2#

```
VTEP2#show ipv6 route vrf vxlan_l3_elan_mhsh
IPv6 Routing Table
IP Route Table for VRF "vxlan_l3_elan_mhsh"
C          ::1/128 via ::, lo.vxlan_l3_elan_mhsh, 07:27:54
B          ::ffff:101:101/128 [0/0] via ::, tunvxlan3, 00:31:23
B          ::ffff:505:505/128 [0/0] via ::, tunvxlan3, 00:31:23
B          ::ffff:606:606/128 [0/0] via ::, tunvxlan3, 00:31:23
C          2000::/48 via ::, irb1604, 07:27:52
B          5301::/48 [200/0] via ::ffff:606:606 (recursive via ::, tunvxlan3), 00:31:23
                                     [200/0] via ::ffff:505:505 (recursive via ::, tunvxlan3)
B          5301::40/128 [200/0] via ::ffff:606:606 (recursive via ::, tunvxlan3), 00:00:10
C          fe80::/64 via ::, irb1604, 07:27:52
```

VTEP2#

```
VTEP2#show bgp l2vpn evpn mac-ip | grep 0000:0053:0040
0          605          6.6.6.6          0000:0053:0040 --
605          0          6.6.6.6          --          VXLAN
0          605          6.6.6.6          0000:0053:0040 53.1.1.40
605          1604          6.6.6.6          --          VXLAN
0          605          6.6.6.6          0000:0053:0040 5301::40
605          1604          6.6.6.6          --          VXLAN
```

VTEP2#

In VTEP4:

```
VTEP4#show arp vrf vxlan_l3_elan_mhsh
Flags: D - Static Adjacencies attached to down interface
IP ARP Table for context vxlan_l3_elan_mhsh
Total number of entries: 1
Address          Age          MAC Address          Interface          State
1.1.1.1          -          e8c5.7aa3.2cb0      tunvxlan3          PERMANENT
2.2.2.2          -          e001.a657.ef01      tunvxlan3          PERMANENT
5.5.5.5          -          6cb9.c5b1.ab9c      tunvxlan3          PERMANENT
53.1.1.40        00:02:57    0000.0053.0040      irb604             STALE
```

VTEP4#

```
VTEP4#show bgp l2vpn evpn mac-ip | grep 0000:0053:0040
0          605          0000:0053:0040 --
605       0          6.6.6.6      --          VXLAN
0          605          0000:0053:0040 53.1.1.40
605       1604       6.6.6.6      --          VXLAN
0          605          0000:0053:0040 5301::40
605       1604       6.6.6.6      --          VXLAN
VTEP4#
```


CHAPTER 17 Single-Home for VxLAN IRB with OSPF or ISIS

Overview

Ethernet VPN with Integrated Routing and Bridging (EVPN-IRB) with OSPF or ISIS for single-homing is a feature designed to enhance the efficiency and simplicity of network connectivity in single-homing scenarios. This solution brings together the power of EVPN-IRB and the routing capabilities of OSPF or ISIS, making it an ideal choice for various network environments. This feature streamlines the network infrastructure, making it easier to manage the network's Layer 3 routing while seamlessly integrating with EVPN-MPLS.

For more information, see the [Single-Home for VxLAN IRB with OSPF or ISIS](#) section in the *OcNOS Key Feature document*, Release 6.4.1.

CHAPTER 18 Multi Home VxLAN-EVPN IRB with OSPF or ISIS

Overview

The support for Open Shortest Path First (OSPF) and Intermediate System to Intermediate System (ISIS) protocols on Virtual Extensible LAN (VxLAN) Integrated Routing (IRB) interface is enhanced with multihoming switches that provides the solution for connecting and managing virtual networks within a data center or network infrastructure.

This feature offers flexibility in configuring network topologies, and ensures compatibility and interoperability within diverse network environments.

Feature Characteristics

The OSPF and ISIS support over the IRB Interface with multihoming feature has the following characteristics:

- Connect the host node to two VTEPs with all-active redundancy mode. It helps forward all traffic from VTEP to the host when one VTEP goes down.

Benefits

The OSPF and ISIS support over the IRB Interface has the following benefits:

- Uninterrupted service between host and VTEP.

Prerequisites

- Router must be up and running.
- Maintain synchronization with VRF changes by performing IRB `shut/no shut` actions when specific events occur within the IPVRF. These events may involve adding or removing Route Targets (RTs), updating Route Distinguishers (RDs), or modifying Layer 3 Virtual Network Identifiers (L3VNIs).

Topology for OSPF

The network topology includes various network elements such as routers, customer edge (CE) devices, Service Aggregator (SA) devices, and Provider Edge (PE) routers. The feature enables OSPF on the IRB interfaces, allowing for efficient routing and communication between network devices within the topology.

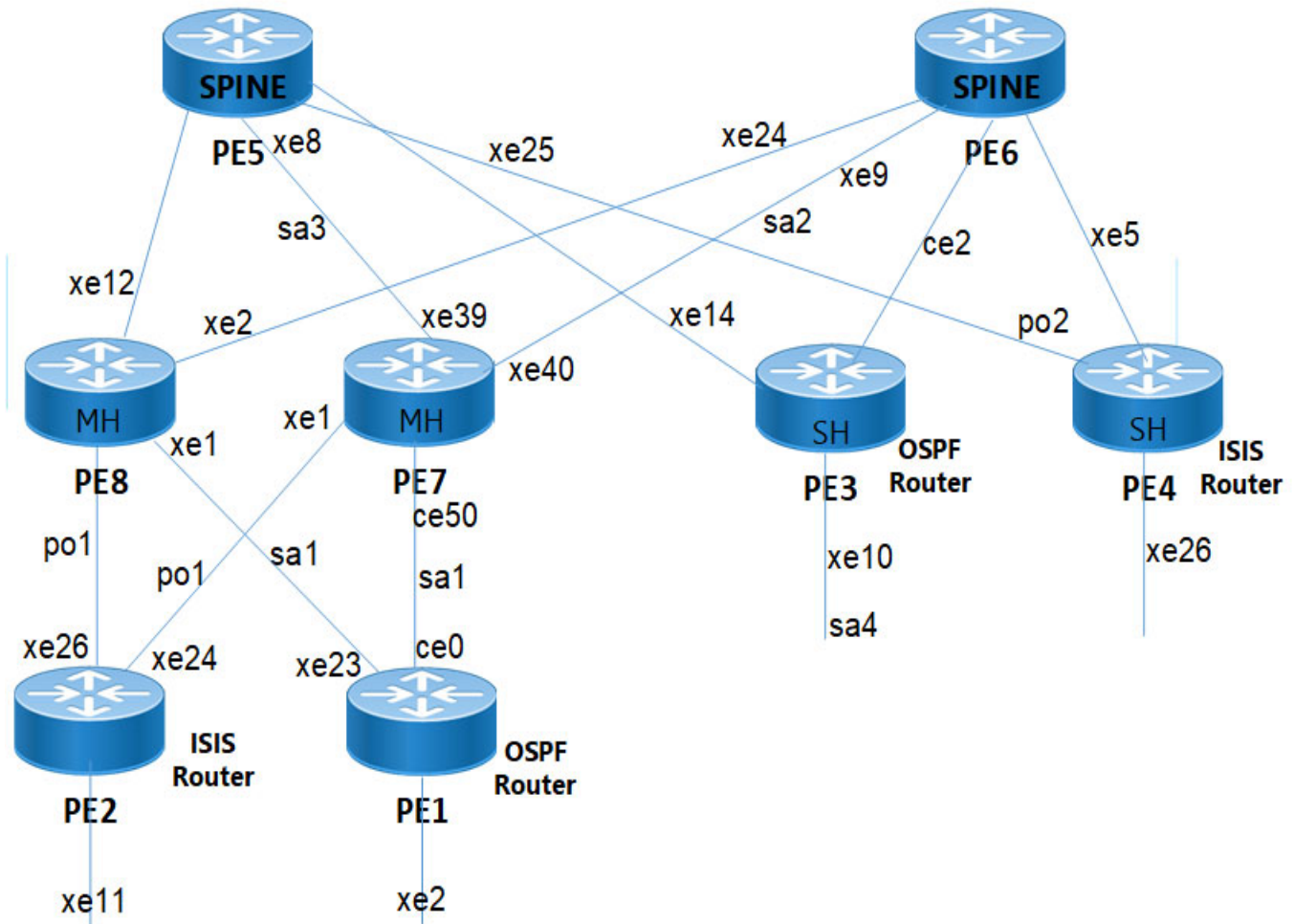


Figure 18-2: Multi Home VxLAN-EVPN IRB with OSPF or ISIS

Configuration

Perform the following configurations to set up different interfaces, routing protocols, and BGP parameters to enable VxLAN, IRB, and EVPN functionality with multihoming in the network.

Configure OSPF Router

Perform the following configurations to create multiple VxLAN interfaces and set up OSPF routing process on PE1 node.

PE1

PE1(config)#vlan database	Enter the VLAN configuration mode.
PE1(config-vlan)# vlan 200-201 bridge 1 state enable	Enable VLAN (200-201) on bridge 1. Specifying the enable state allows forwarding of frames on this VLAN-aware bridge.
PE1(config-vlan)#interface sa1	Enter sa1 interface mode.
PE1(config-if)# switchport	Configure port as L2.
PE1(config-if)# bridge-group 1	Associate the interface with bridge group 1.
PE1(config-if)# switchport mode trunk	Set the switching characteristics of this interface to trunk mode.
PE1(config-if)# switchport trunk allowed vlan add 200-201	Enable VLAN ID 200-201 on this port.
PE1(config-if)# load-interval 30	Configures the load-interval for monitoring traffic on the sa1 interface.
PE1(config-if)# exit	Exit from sa1 interface configuration mode.
PE1(config)#interface ce0	Enter ce0 interface mode.
PE1(config-if)# static-channel-group 1	Make it member port of sa1
PE1(config-if)#interface lo	Configures the loopback (lo) interface.
PE1(config-if)# ip address 1.1.1.1/32 secondary	Assigns a secondary the IP address 1.1.1.1/32 to the loopback interface.
PE1(config-if)# ipv6 address ::1/128	Assigns the IPv6 address ::1/128 to the loopback interface.
PE1(config-if)#interface vlan1.200	Enter interface VLAN1.200 configuration mode.
PE1(config-if)# ip address 101.11.11.1/24	Assigns the primary IP address.
PE1(config-if)# ip address 16.16.16.1/24 secondary	Assigns the secondary IP address.
PE1(config-if)# ip address 17.17.17.1/24 secondary	Assigns the secondary IP address.
PE1(config-if)# exit	Exit from VLAN interface configuration mode.
PE1(config)#interface xe2	Enter xe2 interface configuration mode.
PE1(config-if)# load-interval 30	Configures the load-interval for monitoring traffic on the xe2 interface.
PE1(config-if)#interface xe2.103	Enter VLAN ID 103 interface config mode.
PE1(config-if)# encapsulation dot1q 103	Setting Encapsulation to dot1q with VLAN ID 103.
PE1(config-if)# ip address 20.1.1.1/24	Assigns the primary IP address.
PE1(config-if)# exit	Exit from xe2 VLAN interface configuration mode.
PE1(config)#interface xe23	Enter xe23 interface configuration mode.
PE1(config-if)# static-channel-group 1	Configure static channel 1 member port
PE1(config)#router ospf 1	Enters the OSPF configuration mode for OSPF process 1.
PE1(config-router)# network 16.16.16.0/24 area 0.0.0.0	Advertises the network 16.16.16.0/24 into OSPF area 0.0.0.0.
PE1(config-router)# network 17.17.17.0/24 area 0.0.0.0	Advertises the network 17.17.17.0/24 into OSPF area 0.0.0.0.
PE1(config-router)# network 20.1.1.0/24 area 0.0.0.0	Advertises the network 20.1.1.0/24 into OSPF area 0.0.0.0.

Configure ISIS Router

Perform the following configurations to create multiple VxLAN interfaces and set up ISIS routing process on PE2 node.

PE2

PE2(config)#vlan database	Enter the VLAN configuration mode.
PE2(config-vlan)# vlan 100-101 bridge 1 state enable	Enable VLAN (100-101) on bridge 1. Specifying the enable state allows forwarding of frames on this VLAN-aware bridge
PE2(config-vlan)#interface po1	Enter po1 interface mode.
PE2(config-if)# switchport	Configure port as L2.
PE2(config-if)# bridge-group 1	Associate the interface with bridge group 1.
PE2(config-if)# switchport mode trunk	Set the switching characteristics of this interface to trunk mode.
PE2(config-if)# switchport trunk allowed vlan add 100-101	Enable VLAN ID 100-101 on this port.
PE2(config-if)# load-interval 30	Configures the load-interval for monitoring traffic on the po1 interface.
PE2(config-if)#interface lo	Configure loopback interface
PE2(config-if)# ip address 2.2.2.2/32 secondary	Assign the secondary ip address to lo
PE2(config-if)#interface vlan1.100	Enter interface VLAN1.100 configuration mode.
PE2(config-if)# ip address 11.11.11.1/24	Assign primary IP address
PE2(config-if)# ip address 12.1.1.1/24 secondary	Assign secondary IP address towards MH node.
PE2(config-if)# ip address 13.1.1.1/24 secondary	Assign secondary address towards MH node
PE2(config-if)# ip router isis 1	Configure the isis
PE2(config-if)# exit	Exit from VLAN interface configuration mode.
PE2(config)#interface xe11	Enter xe11 interface configuration mode.
PE2(config-if)# load-interval 30	Configures the load-interval for monitoring traffic on the xe11 interface.
PE2(config-if)#interface xe11.105	Configure subinterface xe11.105.
PE2(config-if)# encapsulation dot1q 105	Setting Encapsulation to dot1q with VLAN ID 105.
PE2(config-if)# load-interval 30	Configures the load-interval for monitoring traffic on the xe11 interface.
PE2(config-if)# ip address 10.1.1.1/24	Assign an IP address
PE2(config-if)# ip router isis 1	Configure interface as ISIS router
PE2(config-if)# exit	Exit from xe11 interface configuration mode.
PE2(config)#interface xe24	Enter xe24 interface configuration mode.
PE2(config-if)# channel-group 1 mode active	Configure the member port for po1 interface
PE2(config-if)# exit	Exit from xe24 interface configuration mode.
PE2(config-if)#interface xe26	Enter xe26 interface configuration mode.

PE2(config-if)# channel-group 1 mode active	Configure the member port for po1 interface
PE2(config)#router isis 1	Configure the ISIS router.
PE2(config-router)# is-type level-1-2	Configure level1-2 ISIS mode.
PE2(config-router)# metric-style wide	Configure metric style as wide.
PE2(config-router)# dynamic-hostname	Configure the hostname to be advertised for an ISIS 1 instance.
PE2(config-router)# bfd all-interfaces	Enable the Bidirectional Forwarding Detection (BFD) feature on all the interfaces enabled with this ISIS instance.
PE2(config-router)# net 49.0000.0000.0001.00	Set a Network Entity Title for this instance, specifying the area address and the system ID.
PE2(config-router)# redistribute connected	Redistribute the connected routes.

Configure VxLAN IRB with Multihoming for OSPF and ISIS Router

Perform the following configurations to create VxLAN IRB interfaces with multihoming for OSPF and ISIS routing process on PE7 and PE8 node.

PE7

PE7(config)#nvo vxlan enable	Enable VxLAN.
PE7(config)#nvo vxlan irb	Enable VxLAN IRB
PE7(config)#evpn esi hold-time 60	Configure hold time for the tunnels to come up during VxLAN initialization before making the esi up.
PE7(config)#evpn vxlan multihoming enable	Enable VxLAN multihome
PE7(config)#ip vrf management	Enter into VRF configuration mode.
PE7(config-vrf)#ip vrf L3VRF3	Create a VRF routing information base called L3VRF3 for OSPF router.
PE7(config-vrf)# rd 7100:11	Specify a route distinguisher for the VRF.
PE7(config-vrf)# route-target both 100:100	Add import and export route-target extended communities to the VRF.
PE7(config-vrf)# l3vni 1000	Configure the L3 Virtual Network Identifier for an IP VRF.
PE7(config-vrf)#ip vrf L3VRF4	Create a VRF routing information base called L3VRF4 for ISIS router.
PE7(config-vrf)# rd 7400:11	Specify a route distinguisher for the VRF.
PE7(config-vrf)# route-target both 101:101	Add import and export route-target extended communities to the VRF.
PE7(config-vrf)# l3vni 2000	Configure the L3 Virtual Network Identifier for an IP VRF.
PE7(config-vrf)#mac vrf L2VRF1	Create a L2 MAC VRF to use in EVPN routes.
PE7(config-vrf)# rd 7.7.7.7:11	Specify a route distinguisher for the MAC VRF.
PE7(config-vrf)# route-target both 7.7.7.7:100	Add import and export route-target extended communities to the VRF.
PE7(config-vrf)#mac vrf L2VRF2	Create a L2 MAC VRF to use in EVPN routes.
PE7(config-vrf)# rd 7.7.7.7:12	Specify a route distinguisher for the VRF.

PE7(config-vrf)# route-target both 7.7.7.7:101	Add import and export route-target extended communities to the VRF
PE7(config-vrf)#exit	Exit the VRF configuration mode.
PE7(config)#evpn irb-forwarding anycast-gateway-mac 0000.0000.1111	Configure common Anycast MAC address for all the IRB interfaces.
PE7(config)#interface irb701	Enter into IRB interface configuration mode to configure IRB interfaces for OSPF router.
PE7(config-irb-if)# ip vrf forwarding L3VRF3	Associate IRB interface with L3VRF3.
PE7(config-irb-if)# evpn irb-if-forwarding anycast-gateway-mac	Map the global anycast IRB MAC address with L3VRF3.
PE7(config-irb-if)# ip address 17.12.13.1/24 anycast	Configure an Anycast IP address.
PE7(config-irb-if)# ip address 16.16.16.2/24 secondary	Configure a secondary IP address.
PE7(config-irb-if)#exit	Exit from the IRB interface.
PE7(config-irb-if)#interface irb801	Enter into IRB interface configuration mode to configure IRB interfaces for ISIS router.
PE7(config-irb-if)# ip vrf forwarding L3VRF4	Associate IRB interface with L3VRF4.
PE7(config-irb-if)# evpn irb-if-forwarding anycast-gateway-mac	Map the global anycast IRB MAC address with L3VRF4.
PE7(config-irb-if)# ip address 12.13.14.2/24 anycast	Configure an Anycast IP address.
PE7(config-irb-if)# ip address 13.1.1.2/24 secondary	Configure a secondary IP address.
PE7(config-irb-if)# ip router isis 2	Configure ISIS router on IRB interface.
PE7(config-irb-if)#exit	Exit from the IRB interface.
PE7(config)#nvo vxlan vtep-ip-global 7.7.7.7	Configure the source VTEP IP address of the VxLAN tunnel.
PE7(config)#nvo vxlan id 701 ingress-replication inner-vid-disabled	Add a tenant L2 VNID to the VxLAN. Specify <ul style="list-style-type: none"> ingress-replication to use head end replication for forwarding BUM traffic inner-vid-disabled to not carry VID out of network port.
PE7(config-nvo)# vxlan host-reachability-protocol evpn-bgp L2VRF1	Associate the L2VRF1reachable protocol to Ethernet-VPN over BGP
PE7(config-nvo)# evpn irb701	Configure default gateway behavior for IRB interface irb701.
PE7(config-nvo)# vni-name VNI-701	Configure VNI name.
PE7(config-nvo)#exit	Exit from NVO mode.
PE7(config-nvo)#nvo vxlan id 801 ingress-replication inner-vid-disabled	Add a tenant L2 VNID to the VxLAN. Specify <ul style="list-style-type: none"> ingress-replication to use head end replication for forwarding BUM traffic inner-vid-disabled to not carry VID out of network port
PE7(config-nvo)# vxlan host-reachability-protocol evpn-bgp L2VRF2	Associate the L2VRF2reachable protocol to Ethernet-VPN over BGP

PE7(config-nvo)# evpn irb801	Configure default gateway behavior for IRB interface irb801.
PE7(config-nvo)# vni-name VNI-101	Configure VNI name.
PE7(config-nvo)# qos enable	Enable QoS.
PE7(config-nvo)# exit	Exit from NVO mode.
PE7(config)# interface po1	Configure po1 interface.
PE7(config-if)# switchport	Configure port as L2.
PE7(config-if)# load-interval 30	Configures the load-interval for monitoring traffic on the po1 interface.
PE7(config-if)# evpn multi-homed system-mac 0000.0000.7782	Configure system MAC as ESI value for po1 interface. VTEP1 and VTEP2 should have same ESI value.
PE7(config-if)# interface sa1	Configure sa1 interface.
PE7(config-if)# switchport	Configure port as L2.
PE7(config-if)# load-interval 30	Configures the load-interval for monitoring traffic on the po1 interface.
PE7(config-if)# evpn multi-homed esi 00:01:02:03:04:05:06:07:08	Configure 9-octet ESI value for sa1 interface.
PE7(config-if-es)# interface sa2	Configure sa2 interface.
PE7(config-if)# load-interval 30	Configures the load-interval for monitoring traffic on the sa2 interface.
PE7(config-if)# ip address 80.1.1.1/24	Configure IP address.
PE7(config-if)# mtu 9000	Configure the Maximum Transmission Unit (MTU).
PE7(config-if)# ip router isis 1	Configure ISIS router on sa2 interface.
PE7(config-if)# exit	Exit from the sa2 interface.
PE7(config)# interface sa3	Configure sa3 interface.
PE7(config-if)# load-interval 30	Configures the load-interval for monitoring traffic on the sa3 interface.
PE7(config-if)# ip address 22.1.1.1/24	Configure IP address.
PE7(config-if)# mtu 9000	Configure the Maximum Transmission Unit (MTU).
PE7(config-if)# interface ce50	Configure ce50 interface.
PE7(config-if)# static-channel-group 1	Configure member port for sa3
PE7(config-if)# exit	Exit from ce50 interface configuration mode.
PE7(config)# interface lo	Configure loopback interface.
PE7(config-if)# ip address 7.7.7.7/32 secondary	Configure secondary IP address
PE7(config-if)# exit	Exit from the lo interface.
PE7(config)# interface xe1	Configure xe1 interface.
PE7(config-if)# channel-group 1 mode active	Configure member port of po1 interface.
PE7(config-if)# interface xe39	Configure xe39 interface.
PE7(config-if)# static-channel-group 3	Configure member port of sa3 interface.
PE7(config-if)# interface xe40	Configure xe40 interface.
PE7(config-if)# static-channel-group 2	Configure member port of sa2 interface.
PE7(config-if)# exit	Exit from the xe40 interface.
PE7(config)# router ospf 1	Configure OSPF router.

PE7(config-router)# ospf router-id 7.7.7.7	Configure router id for OSPF.
PE7(config-router)# network 7.7.7.7/32 area 0.0.0.0	Enable OSPF routing with area ID 0.0.0.0 on IRB interface with IP address that match the network address 7.7.7.7/32
PE7(config-router)# network 22.1.1.0/24 area 0.0.0.0	Enable OSPF routing with area ID 0.0.0.0 on interface with IP address that match the network address 22.1.1.0/24 .
PE7(config-router)#router ospf 2 L3VRF3	Configure OSPF on IRB L3VRF3.
PE7(config-router)# redistribute bgp	Redistribute BGP routes.
PE7(config-router)# network 16.16.16.0/24 area 0.0.0.0	Enable OSPF routing with area ID 0.0.0.0 on IRB interface with IP address that match the network address 16.16.16.0/24.
PE7(config-router)#router isis 1	Configure ISIS router.
PE7(config-router)# is-type level-1-2	Configure IS type as level 1 and level 2.
PE7(config-router)# metric-style wide	Configure metric-style as wide.
PE7(config-router)# dynamic-hostname	Configure the hostname to advertise for the ISIS router.
PE7(config-router)# bfd all-interfaces	Enable the Bidirectional Forwarding Detection (BFD) feature on all the interfaces enabled with this ISIS instance.
PE7(config-router)# net 49.0000.0007.0001.00	Set a Network Entity Title for this instance, specifying the area address and the system ID.
PE7(config-router)# redistribute connected	Redistribute connected routes.
PE7(config-router)#router isis 2 L3VRF4	Configure ISIS on IRB L3VRF4.
PE7(config-router)# is-type level-1-2	Configure IS type as level 1 and level 2.
PE7(config-router)# metric-style wide	Configure metric-style as wide.
PE7(config-router)# dynamic-hostname	Configure the hostname to advertise for the ISIS router.
PE7(config-router)# bfd all-interfaces	Enable the Bidirectional Forwarding Detection (BFD) feature on all the interfaces enabled with this ISIS instance.
PE7(config-router)# net 49.0000.0000.0475.00	Set a Network Entity Title for this instance, specifying the area address and the system ID.
PE7(config-router)# redistribute bgp	Redistribute connected routes.
PE7(config-router)#router bgp 700	Start the eBGP router.
PE7(config-router)# bgp router-id 7.7.7.7	Configure BGP router id.
PE7(config-router)# no bgp inbound-route-filter	Disable the MPLS (Multiprotocol Label Switching) VPN/BGP inbound route-target filter.
PE7(config-router)# neighbor 5.5.5.5 remote-as 500	Configure BGP peering relationship with a customer edge router.
PE7(config-router)# neighbor 6.6.6.6 remote-as 600	Configure BGP peering relationship with a customer edge router.
PE7(config-router)# neighbor 6.6.6.6 advertisement-interval 0	Configure a minimum advertisement interval between the sending of BGP routing updates.
PE7(config-router)# address-family l2vpn evpn	Enter to the L2 VPN address family mode to configure the address-family specific parameters.
PE7(config-router-af)# neighbor 5.5.5.5 activate	Enable the exchange of specific address family routes with a neighboring router 5.5.5.5.

PE7(config-router-af)# neighbor 6.6.6.6 activate	Enable the exchange of specific address family routes with a neighboring router 6.6.6.6.
PE7(config-router-af)# exit-address-family	Exit from address family mode.
PE7(config-router)# address-family ipv4 vrf L3VRF3	Enter to the IRB IPv4 VRF address family mode to configure the address-family specific parameters.
PE7(config-router-af)# network 16.16.16.0/24	Enable OSPF routing on IRB interface with IP address that match the network address 16.16.16.0/24.
PE7(config-router-af)# redistribute ospf	Redistribute OSPF routes.
PE7(config-router-af)# exit-address-family	Exit from address family mode.
PE7(config-router)# address-family ipv4 vrf L3VRF4	Enter to the IRB IPv4 VRF address family mode to configure the address-family specific parameters.
PE7(config-router-af)# network 12.1.1.0/24	Enable OSPF routing on IRB interface with IP address that match the network address 12.1.1.0/24.
PE7(config-router-af)# redistribute isis	Redistribute ISIS routes.
PE7(config-router-af)# exit-address-family	Exit address family mode.
PE7(config)#nvo vxlan access-if port-vlan po1 100	Map the VLAN port for ISIS switch on po1 interface to identify the VxLAN traffic and to enter NVO access interface mode.
PE7(config-nvo-acc-if)# map vnid 801	Map the l2vnid to an access-port.
PE7(config-nvo-acc-if)#nvo vxlan access-if port-vlan sa1 200	Configure access-if port for OSPF switch.
PE7(config-nvo-acc-if)# map vnid 701	Map the l2vnid to an access-port.

PE8

PE8(config)#nvo vxlan enable	Enable VxLAN
PE8(config)#nvo vxlan irb	Enable VxLAN IRB
PE8(config)#evpn esi hold-time 60	Configure hold time for the tunnels to come up during VxLAN initialization before making the esi up.
PE8(config)#evpn vxlan multihoming enable	Enable VxLAN multihome
PE8(config)#ip vrf managemen	Enter into VRF configuration mode.
PE8(config-vrf)#ip vrf L3VRF3	Create a VRF routing information base called L3VRF3 for OSPF router.
PE8(config-vrf)# rd 8100:11	Specify a route distinguisher for the VRF.
PE8(config-vrf)# route-target both 100:100	Add import and export route-target extended communities to the VRF.
PE8(config-vrf)# l3vni 1000	Configure the L3 Virtual Network Identifier for an IP VRF.
PE8(config-vrf)#ip vrf L3VRF4	Create a VRF routing information base called L3VRF4 for ISIS router.
PE8(config-vrf)# rd 8400:11	Specify a route distinguisher for the VRF.
PE8(config-vrf)# route-target both 101:101	Add import and export route-target extended communities to the VRF.
PE8(config-vrf)# l3vni 2000	Configure the L3 Virtual Network Identifier for an IP VRF.
PE8(config-vrf)#mac vrf L2VRF1	Create a L2 MAC VRF to use in EVPN routes.
PE8(config-vrf)# rd 8.8.8.8:11	Specify a route distinguisher for the MAC VRF.

Multi Home VxLAN-EVPN IRB with OSPF or ISIS

PE8(config-vrf)# route-target both 7.7.7.7:100	Add import and export route-target extended communities to the VRF.
PE8(config-vrf)#mac vrf L2VRF2	Create a L2 MAC VRF to use in EVPN routes.
PE8(config-vrf)# rd 8.8.8.8:12	Specify a route distinguisher for the VRF.
PE8(config-vrf)# route-target both 7.7.7.7:101	Add import and export route-target extended communities to the VRF.
PE7(config-vrf)#exit	Exit the VRF configuration mode.
PE8(config)#evpn irb-forwarding anycast-gateway-mac 0000.0000.1111	Configure common Anycast MAC address for all the IRB interfaces.
PE8(config-if)#interface irb701	Enter into IRB interface configuration mode to configure IRB interfaces for OSPF router.
PE8(config-irb-if)# ip vrf forwarding L3VRF3	Associate IRB interface with L3VRF3.
PE8(config-irb-if)# evpn irb-if-forwarding anycast-gateway-mac	Map the global anycast IRB MAC address with L3VRF3.
PE8(config-irb-if)# ip address 17.12.13.1/24 anycast	Configure an Anycast IP address.
PE8(config-irb-if)# ip address 17.17.17.2/24 secondary	Configure a secondary IP address. PE7(config-irb-if)#exitExit from the IRB interface.
PE8(config-irb-if)#interface irb801	Enter into IRB interface configuration mode to configure IRB interfaces for ISIS router.
PE8(config-irb-if)# ip vrf forwarding L3VRF4	Associate IRB interface with L3VRF4.
PE8(config-irb-if)# evpn irb-if-forwarding anycast-gateway-mac	Map the global anycast IRB MAC address with L3VRF4.
PE8(config-irb-if)# ip address 12.13.14.2/24 anycast	Configure an Anycast IP address.
PE8(config-irb-if)# ip address 12.1.1.2/24 secondary	Configure an Anycast IP address.
PE8(config-irb-if)# ip router isis 2	Configure ISIS router on IRB interface.
PE7(config-irb-if)#exit	Exit from the IRB interface.
PE8(config)#nvo vxlan vtep-ip-global 8.8.8.8	Configure the source VTEP IP address of the VxLAN tunnel.
PE8(config)#nvo vxlan id 701 ingress-replication inner-vid-disabled	Add a tenant L2 VNID to the VxLAN. Specify ingress-replication to use head end replication for forwarding BUM traffic inner-vid-disabled to not carry VID out of network port
PE8(config-nvo)# vxlan host-reachability-protocol evpn-bgp L2VRF1	Associate the L2VRF1reachable protocol to Ethernet-VPN over BGP
PE8(config-nvo)# evpn irb701	Configure default gateway behavior for IRB interface irb701.
PE8(config-nvo)# vni-name VNI-701	Configure VNI name.
PE7(config-nvo)#exit	Exit from NVO mode.
PE8(config-nvo)#nvo vxlan id 801 ingress-replication inner-vid-disabled	Add a tenant L2 VNID to the VxLAN. Specify ingress-replication to use head end replication for forwarding BUM traffic inner-vid-disabled to not carry VID out of network port
PE8(config-nvo)# vxlan host-reachability-protocol evpn-bgp L2VRF2	Associate the L2VRF2reachable protocol to Ethernet-VPN over BGP

PE8(config-nvo)# evpn irb801	Configure default gateway behavior for IRB interface irb801.
PE8(config-nvo)# vni-name VNI-101	Configure VNI name.
PE8(config-nvo)# qos enable	Enable QoS.
PE8(config-nvo)# exit	Exit from NVO mode.
PE8(config-vlan)# interface po1	Configure po1 interface.
PE8(config-if)# switchport	Configure port as L2.
PE8(config-if)# load-interval 30	Configures the load-interval for monitoring traffic on the po1 interface.
PE8(config-if)# evpn multi-homed system-mac 0000.0000.7782	Configure system MAC as ESI value for po1 interface. VTEP1 and VTEP2 should have same ESI value.
PE8(config-if-es)# interface sa1	Configure sa1 interface.
PE8(config-if)# switchport	Configure port as L2.
PE8(config-if)# load-interval 30	Configures the load-interval for monitoring traffic on the po1 interface.
PE8(config-if)# evpn multi-homed esi 00:01:02:03:04:05:06:07:08	Configure 9-octet ESI value for sa1 interface.
PE8(config-irb-if)# interface lo	Configure loopback interface
PE8(config-if)# ip address 8.8.8.8/32 secondary	Configure secondary IP address
PE8(config-if)# exit	Exit from the lo interface.
PE8(config)# interface xe1	Configure xe1 interface.
PE8(config-if)# static-channel-group 1	Configure member port of sa3 interface.
PE8(config-if)# interface xe2	Configure xe2 interface.
PE8(config-if)# ip address 90.1.1.1/24	Configure IP address
PE8(config-if)# mtu 9000	Configure the Maximum Transmission Unit (MTU).
PE8(config-if)# ip router isis 1	Configure ISIS router on IRB interface.
PE8(config-if)# exit	Exit from the lo interface.
PE8(config)# interface xe12	Configure xe1 interface.
PE8(config-if)# load-interval 30	Configures the load-interval for monitoring traffic on the po1 interface.
PE8(config-if)# ip address 21.1.1.1/24	Configure IP address
PE8(config-if)# mtu 9000	Configure the Maximum Transmission Unit (MTU).
PE8(config-if)# exit	Exit from the lo interface.
PE8(config-if)# interface xe26	Configure xe26 interface.
PE8(config-if)# channel-group 1 mode active	Configure member port of xe26 interface.
PE8(config)# router ospf 1	Configure OSPF router.
PE8(config-router)# ospf router-id 8.8.8.8	Configure router id for OSPF.
PE8(config-router)# network 8.8.8.8/32 area 0.0.0.0	Enable OSPF routing with area ID 0.0.0.0 on IRB interface with IP address that match the network address 8.8.8.8/32.
PE8(config-router)# network 21.1.1.0/24 area 0.0.0.0	Enable OSPF routing with area ID 0.0.0.0 on IRB interface with IP address that match the network address 21.1.1.0/24.
PE8(config-router)# router ospf 2 L3VRF3	Configure OSPF on IRB L3VRF3.

Multi Home VxLAN-EVPN IRB with OSPF or ISIS

PE8(config-router)# redistribute bgp	Redistribute BGP routes.
PE8(config-router)# network 17.17.17.0/24 area 0.0.0.0	Enable OSPF routing with area ID 0.0.0.0 on IRB interface with IP address that match the network address 17.17.17.0/24
PE8(config-router)#router isis 1	Configure ISIS router.
PE8(config-router)# is-type level-1-2	Configure IS type as level 1 and level 2.
PE8(config-router)# metric-style wide	Configure metric-style as wide.
PE8(config-router)# dynamic-hostname	Configure the hostname to advertise for the ISIS router.
PE8(config-router)# bfd all-interfaces	Enable the Bidirectional Forwarding Detection (BFD) feature on all the interfaces enabled with this ISIS instance.
PE8(config-router)# net 49.0000.0008.0001.00	Set a Network Entity Title for this instance, specifying the area address and the system ID.
PE8(config-router)# redistribute connected	Redistribute connected routes.
PE8(config-router)#router isis 2 L3VRF4	Configure ISIS on IRB L3VRF4.
PE8(config-router)# is-type level-1-2	Configure IS type as level 1 and level 2.
PE8(config-router)# metric-style wide	Configure metric-style as wide.
PE8(config-router)# dynamic-hostname	Configure the hostname to advertise for the ISIS router.
PE8(config-router)# bfd all-interfaces	Enable the Bidirectional Forwarding Detection (BFD) feature on all the interfaces enabled with this ISIS instance.
PE8(config-router)# net 49.0000.0000.0485.00	Set a Network Entity Title for this instance, specifying the area address and the system ID.
PE8(config-router)# redistribute bgp	Redistribute connected routes.
PE8(config-router)#router bgp 800	Start the eBGP router.
PE8(config-router)# bgp router-id 8.8.8.8	Configure BGP router id.
PE8(config-router)# no bgp inbound-route-filter	Disable the MPLS (Multiprotocol Label Switching) VPN/BGP inbound route-target filter.
PE8(config-router)# neighbor 5.5.5.5 remote-as 500	Configure BGP peering relationship with a customer edge router.
PE8(config-router)# neighbor 6.6.6.6 remote-as 600	Configure BGP peering relationship with a customer edge router.
PE8(config-router)# neighbor 6.6.6.6 update-source lo	Configure a minimum advertisement interval between the sending of BGP routing updates.
PE8(config-router)# address-family l2vpn evpn	Enter to the L2 VPN address family mode to configure the address-family specific parameters.
PE8(config-router-af)# neighbor 5.5.5.5 activate	Enable the exchange of specific address family routes with a neighboring router 5.5.5.5.
PE8(config-router-af)# neighbor 6.6.6.6 activate	Enable the exchange of specific address family routes with a neighboring router 6.6.6.6.
PE8(config-router-af)# exit-address-family	Exit from address family mode.
PE8(config-router)# address-family ipv4 vrf L3VRF3	Enter to the IRB IPv4 VRF address family mode to configure the address-family specific parameters.
PE8(config-router-af)# network 16.16.16.0/24	Enable OSPF routing on IRB interface with IP address that match the network address 16.16.16.0/24.
PE8(config-router-af)# redistribute ospf	Redistribute OSPF routes.
PE8(config-router-af)# exit-address-family	Exit from address family mode.
PE8(config-router)# address-family ipv4 vrf L3VRF4	Enter to the IRB IPv4 VRF address family mode to configure the address-family specific parameters.

PE8(config-router-af)# network 12.1.1.0/24	Enable OSPF routing on IRB interface with IP address that match the network address 12.1.1.0/24.
PE8(config-router-af)# redistribute isis	Redistribute ISIS routes.
PE8(config-router-af)# exit-address-family	Exit address family mode.
PE8(config-router)# exit	Exit from router mode configuration.
PE8(config)#nvo vxlan access-if port-vlan po1 100	Map the VLAN port for ISIS switch on po1 interface to identify the VxLAN traffic and to enter NVO access interface mode.
PE8(config-nvo-acc-if)# map vnid 801	Map the l2vnid to an access-port.
PE8(config-nvo-acc-if)#nvo vxlan access-if port-vlan sa1 200	Configure access-if port for OSPF switch.
PE8(config-nvo-acc-if)# map vnid 701	Map the l2vnid to an access-port.
PE8(config-nvo-acc-if)#end	End global configuration.

Configure Spine Node with OSPF Router

Perform the following configurations to make the node as spine with routing protocol as OSPF.

PE5

PE5(config-if)#interface sa3	Configure sa3 interface.
PE5(config-if)# load-interval 30	Configures the load-interval for monitoring traffic on the sa3 interface.
PE5(config-if)# ip address 22.1.1.2/24	Configure IP address
PE5(config-if)# mtu 9000	Configure the Maximum Transmission Unit (MTU).
PE5(config-if)#interface lo	Configure loopback interface
PE5(config-if)# ip address 5.5.5.5/32 secondary	Configure secondary IP address.
PE7(config-if)#exit	Exit from the lo interface.
PE5(config-if)#interface xe8	Configure xe8 interface.
PE5(config-if)# static-channel-group 3	Configure member port of sa3 interface.
PE5(config-if)#interface xe12	Configure xe12 interface.
PE5(config-if)# ip address 21.1.1.2/24	Configure IP address
PE5(config-if)# mtu 9000	Configure the Maximum Transmission Unit (MTU).
PE5(config-if)#interface xe14	Configure xe14 interface.
PE5(config-if)# ip address 23.1.1.2/24	Configure IP address
PE5(config-if)# mtu 9000	Configure the Maximum Transmission Unit (MTU).
PE5(config-if)#interface xe25	Configure xe25 interface.
PE5(config-if)# ip address 24.1.1.2/24	Configure IP address
PE5(config-if)# mtu 9000	Configure the Maximum Transmission Unit (MTU).
PE5(config)#router ospf 1	Configure OSPF router.

PE5(config-router)# network 5.5.5.5/32 area 0.0.0.0	Enable OSPF routing with area ID 0.0.0.0 on IRB interface with IP address that match the network address 5.5.5.5/32.
PE5(config-router)# network 21.1.1.0/24 area 0.0.0.0	Enable OSPF routing with area ID 0.0.0.0 on IRB interface with IP address that match the network address 21.1.1.0/24.
PE5(config-router)# network 22.1.1.0/24 area 0.0.0.0	Enable OSPF routing with area ID 0.0.0.0 on IRB interface with IP address that match the network address 22.1.1.0/24.
PE5(config-router)# network 23.1.1.0/24 area 0.0.0.0	Enable OSPF routing with area ID 0.0.0.0 on IRB interface with IP address that match the network address 23.1.1.0/24.
PE5(config-router)# network 24.1.1.0/24 area 0.0.0.0	Enable OSPF routing with area ID 0.0.0.0 on IRB interface with IP address that match the network address 24.1.1.0/24.
PE5(config-router)#router bgp 500	Start the eBGP router 500.
PE5(config-router)# bgp router-id 5.5.5.5	Configure BGP router id 5.5.5.5.
PE5(config-router)# no bgp inbound-route-filter	Disable the MPLS (Multiprotocol Label Switching) VPN/BGP inbound route-target filter.
PE5(config-router)# neighbor 3.3.3.3 remote-as 300	Configure BGP 3.3.3.3 peering relationship with a customer edge router.
PE5(config-router)# neighbor 4.4.4.4 remote-as 400	Configure BGP 4.4.4.4 peering relationship with a customer edge router.
PE5(config-router)# neighbor 7.7.7.7 remote-as 700	Configure BGP 7.7.7.7 peering relationship with a customer edge router.
PE5(config-router)# neighbor 8.8.8.8 remote-as 800	Configure BGP 8.8.8.8 peering relationship with a customer edge router.
PE5(config-router)# neighbor 3.3.3.3 update-source lo	Specifies that loopback interface (lo) is the source for the BGP 3.3.3.3 to establish the TCP connections.
PE5(config-router)# neighbor 4.4.4.4 update-source lo	Specifies that loopback interface (lo) is the source for the BGP 4.4.4.4 to establish the TCP connections.
PE5(config-router)# neighbor 7.7.7.7 update-source lo	Specifies that loopback interface (lo) is the source for the BGP 7.7.7.7 to establish the TCP connections.
PE5(config-router)# neighbor 8.8.8.8 update-source lo	Specifies that loopback interface (lo) is the source for the BGP 8.8.8.8 to establish the TCP connections.
PE5(config-router)# address-family l2vpn evpn	Enter to the L2 VPN address family mode to configure the address-family specific parameters.
PE5(config-router-af)# neighbor 3.3.3.3 activate	Enable the exchange of specific address family routes with a neighboring router 3.3.3.3.
PE5(config-router-af)# neighbor 4.4.4.4 activate	Enable the exchange of specific address family routes with a neighboring router 4.4.4.4.
PE5(config-router-af)# neighbor 7.7.7.7 activate	Enable the exchange of specific address family routes with a neighboring router 7.7.7.7.
PE5(config-router-af)# neighbor 8.8.8.8 activate	Enable the exchange of specific address family routes with a neighboring router 8.8.8.8.
PE5(config-router-af)# exit-address-family	Exit address family configuration mode.
PE5(config-router)# exit	Exit router configuration mode.
PE5(config)#end	Exit global configuration mode.

Configure Spine Node with ISIS Router

Perform the following configurations to make the node as spine with routing protocol as ISIS.

PE6

PE6(config-if)#interface sa2	Configure sa2 interface.
PE6(config-if)# load-interval 30	Configures the load-interval for monitoring traffic on the sa2 interface.
PE6(config-if)# ip address 80.1.1.2/24	Configure IP address.
PE6(config-if)# mtu 9000	Configure the Maximum Transmission Unit (MTU).
PE6(config-if)# ip router isis 1	Configure ISIS router on sa2 interface.
PE6(config-if)#interface ce2	Configure ce2 interface.
PE6(config-if)# ip address 101.1.1.1/24	Configure IP address
PE6(config-if)# mtu 9000	Configure the Maximum Transmission Unit (MTU).
PE6(config-if)# ip router isis 1	Configure ISIS router on sa2 interface.
PE6(config-if)#interface lo	Configure loopback interface
PE6(config-if)# ip address 6.6.6.6/32 secondary	Configure secondary IP address.
PE6(config-if)# ip router isis 1	Configure ISIS router on sa2 interface.
PE6(config-if)#interface xe5	Configure xe5 interface.
PE6(config-if)# ip address 102.1.1.1/24	Configure IP address
PE6(config-if)# mtu 9000	Configure the Maximum Transmission Unit (MTU).
PE6(config-if)# ip router isis 1	Configure ISIS router on xe5 interface.
PE6(config-if)#interface xe9	Configure xe9 interface.
PE6(config-if)# static-channel-group 2	Configure member port of sa2 interface.
PE6(config-if)#interface xe24	Configure xe24 interface.
PE6(config-if)# ip address 90.1.1.2/24	Configure IP address
PE6(config-if)# mtu 9000	Configure the Maximum Transmission Unit (MTU).
PE6(config-if)# ip router isis 1	Configure ISIS router on xe24 interface.
PE6(config)#router isis 1	Configure ISIS router on xe24 interface.
PE6(config-router)# is-type level-1-2	Configure IS type as level 1 and level 2.
PE6(config-router)# metric-style wide	Configure metric-style as wide.
PE6(config-router)# dynamic-hostname	Configure the hostname to advertise for the ISIS router.
PE6(config-router)# bfd all-interfaces	Enable the Bidirectional Forwarding Detection (BFD) feature on all the interfaces enabled with this ISIS instance.
PE6(config-router)# net 49.0000.0006.0001.00	Set a Network Entity Title for this instance, specifying the area address and the system ID.
PE6(config-router)#router bgp 600	Start the eBGP router.
PE6(config-router)# bgp router-id 6.6.6.6	Configure BGP router id.
PE6(config-router)# no bgp inbound-route- filter	Disable the MPLS (Multiprotocol Label Switching) VPN/BGP inbound route-target filter.
PE6(config-router)# neighbor 3.3.3.3 remote- as 300	Configure BGP peering relationship with a customer edge router.
PE6(config-router)# neighbor 4.4.4.4 remote- as 400	Configure BGP peering relationship with a customer edge router.

PE6(config-router)# neighbor 7.7.7.7 remote-as 700	Configure BGP peering relationship with a customer edge router.
PE6(config-router)# neighbor 8.8.8.8 remote-as 800	Configure BGP peering relationship with a customer edge router.
PE6(config-router)# neighbor 3.3.3.3 update-source lo	Specifies that loopback interface (lo) is the source for the BGP 3.3.3.3 to establish the TCP connections
PE6(config-router)# neighbor 4.4.4.4 update-source lo	Specifies that loopback interface (lo) is the source for the BGP 4.4.4.4 to establish the TCP connections
PE6(config-router)# neighbor 7.7.7.7 update-source lo	Specifies that loopback interface (lo) is the source for the BGP 7.7.7.7 to establish the TCP connections
PE6(config-router)# neighbor 8.8.8.8 update-source lo	Specifies that loopback interface (lo) is the source for the BGP 8.8.8.8 to establish the TCP connections
PE6(config-router)# address-family l2vpn evpn	Enter to the L2 VPN address family mode to configure the address-family specific parameters.
PE6(config-router-af)# neighbor 3.3.3.3 activate	Enable the exchange of specific address family routes with a neighboring router 3.3.3.3.
PE6(config-router-af)# neighbor 4.4.4.4 activate	Enable the exchange of specific address family routes with a neighboring router 4.4.4.4.
PE6(config-router-af)# neighbor 7.7.7.7 activate	Enable the exchange of specific address family routes with a neighboring router 7.7.7.7.
PE6(config-router-af)# neighbor 8.8.8.8 activate	Enable the exchange of specific address family routes with a neighboring router 8.8.8.8.
PE6(config-router-af)# exit-address-family	Exit address family configuration mode.
PE6(config-router)# exit	Exit router configuration mode.
PE6(config)#end	Exit global configuration mode.

Configure VxLAN IRB with Single Homing OSPF and ISIS Router

Perform the following configurations to create VxLAN IRB interfaces with singlehoming for OSPF and ISIS routing process on PE3 and PE4 nodes.

PE3

PE3(config)#nvo vxlan enable	Enable VxLAN.
PE3(config)#nvo vxlan irb	Enable VxLAN IRB
PE3(config)#ip vrf management	Enter into VRF configuration mode.
PE3(config-vrf)#ip vrf L3VRF1	Create a VRF routing information base called L3VRF3 for OSPF router.
PE3(config-vrf)# rd 56000:11	Specify a route distinguisher for the VRF.
PE3(config-vrf)# route-target both 100:100	Add import and export route-target extended communities to the VRF.
PE3(config-vrf)# l3vni 1000	Configure the L3 Virtual Network Identifier for an IP VRF.
PE3(config-vrf)#mac vrf L2VRF1	Create a L2 MAC VRF to use in EVPN routes.
PE3(config-vrf)# rd 4.4.4.4:11	Specify a route distinguisher for the MAC VRF.

PE3(config-vrf)# route-target both 9.9.9.9:100	Add import and export route-target extended communities to the VRF.
PE3(config-if)#interface irb1001	Enter into IRB interface configuration mode to configure IRB interfaces for OSPF router.
PE3(config-irb-if)# ip vrf forwarding L3VRF1	Associate IRB interface with L3VRF3.
PE3(config-irb-if)# ip address 40.1.1.1/24	Configure an Anycast IP address.
PE3(config-irb-if)# ip ospf cost 1	Specify the cost of the link-state metric in a router-LSA.
PE3(config-vrf)#nvo vxlan vtep-ip-global 3.3.3.3	Configure the source VTEP IP address of the VxLAN tunnel.
PE3(config)#nvo vxlan id 102 ingress-replication	Add a tenant L2 VNID to the VxLAN. Specify ingress-replication to use head end replication for forwarding BUM traffic inner-vid-disabled to not carry VID out of network port
PE3(config-nvo)# vxlan host-reachability-protocol evpn-bgp L2VRF1	Associate the L2VRF1 reachable protocol to Ethernet-VPN over BGP
PE3(config-nvo)# evpn irb1001	Configure default gateway behavior for IRB interface irb1001.
PE3(config-nvo)# vni-name VNI-102	Configure VNI name.
PE3(config-nvo)#nvo vxlan id 2002 ingress-replication	Add a tenant L2 VNID to the VxLAN. Specify ingress-replication to use head end replication for forwarding BUM traffic inner-vid-disabled to not carry VID out of network port
PE3(config-nvo)# vxlan host-reachability-protocol evpn-bgp L2VRF1	Associate the L2VRF1 reachable protocol to Ethernet-VPN over BGP
PE3(config-nvo)# evpn irb2002	Configure default gateway behavior for IRB interface irb2002.
PE3(config-nvo)#qos enable	Enable QoS.
PE3(config)#interface sa4	Configure sa4 interface.
PE3(config-if)# switchport	Configure port as L2.
PE3(config-if)# load-interval 30	Configures the load-interval for monitoring traffic on the po1 interface.
PE3(config)#nvo vxlan access-if port-vlan sa4 100	Map the VLAN port for ISIS switch on sa4 interface to identify the VxLAN traffic and to enter NVO access interface mode.
PE3(config-acc-if-evpn)#map vpn-id 102	Map the l2vni to an access-port.
PE3(config-if)#interface ce3	Configure ce3 interface.
PE3(config-if)# load-interval 30	Configures the load-interval for monitoring traffic on the ce3 interface.
PE3(config-if)# ip address 101.1.1.2/24	Configure IP address.
PE3(config-if)# mtu 9000	Configure the Maximum Transmission Unit (MTU).
PE3(config-if)# ip router isis 1	Configure ISIS router on ce3 interface.
PE3(config-irb-if)#interface lo	Configure loopback interface
PE3(config-if)# ip address 3.3.3.3/32 secondary	Configure secondary IP address
PE3(config-if)# ip router isis 1	Configure ISIS router on ce3 interface.
PE3(config-if)#interface xe10	Configure xe10 interface.
PE3(config-if)# static-channel-group 4	Configure member port of ce3 interface.

PE3(config-if)#interface xe14	Configure xe14 interface.
PE3(config-if)# speed 10g	Set the link speed of the xe14 interface.
PE3(config-if)# ip address 23.1.1.1/24	Configure IP address.
PE3(config-if)# mtu 9000	Configure the Maximum Transmission Unit (MTU).
PE3(config)#router ospf 1	Configure OSPF router.
PE3(config-router)# ospf router-id 3.3.3.3	Configure router id for OSPF.
PE3(config-router)# network 3.3.3.3/32 area 0.0.0.0	Enable OSPF routing with area ID 0.0.0.0 on IRB interface with IP address that match the network address 3.3.3.3/32.
PE3(config-router)# network 23.1.1.0/24 area 0.0.0.0	Enable OSPF routing with area ID 0.0.0.0 on IRB interface with IP address that match the network address 23.1.1.0/24.
PE3(config-router)# network 101.1.1.0/24 area 0.0.0.0	Enable OSPF routing with area ID 0.0.0.0 on IRB interface with IP address that match the network address 101.1.1.0/24.
PE3(config-router)#router ospf 2 L3VRF1	Configure OSPF on IRB L3VRF1.
PE3(config-router)# redistribute bgp	Redistribute BGP into OSPF.
PE3(config-router)# network 40.1.1.0/24 area 0.0.0.0	Enable OSPF routing with area ID 0.0.0.0 on IRB interface with IP address that match the network address 40.1.1.0/24.
PE3(config-router)#router isis 1	Configure ISIS router on xe24 interface.
PE3(config-router)# is-type level-1-2	Configure IS type as level 1 and level 2.
PE3(config-router)# metric-style wide	Configure metric-style as wide.
PE3(config-router)# dynamic-hostname	Configure the hostname to advertise for the ISIS router.
PE3(config-router)# bfd all-interfaces	Enable the Bidirectional Forwarding Detection (BFD) feature on all the interfaces enabled with this ISIS instance.
PE3(config-router)# net 49.0000.0003.0001.00	Set a Network Entity Title for this instance, specifying the area address and the system ID.
PE3(config-router)# redistribute connected	Redistribute connected routes.
PE3(config-router)#router bgp 300	Start the eBGP router.
PE3(config-router)# bgp router-id 3.3.3.3	Configure BGP router id.
PE3(config-router)# no bgp inbound-route-filter	Disable the MPLS (Multiprotocol Label Switching) VPN/BGP inbound route-target filter.
PE3(config-router)# neighbor 5.5.5.5 remote-as 500	Configure BGP peering relationship with a customer edge router.
PE3(config-router)# neighbor 6.6.6.6 remote-as 600	Configure BGP peering relationship with a customer edge router.
PE3(config-router)# neighbor 5.5.5.5 update-source lo	Specifies that loopback interface (lo) is the source for the BGP 5.5.5.5 to establish the TCP connections
PE3(config-router)# neighbor 6.6.6.6 advertisement-interval 0	Configure a minimum advertisement interval between the sending of BGP routing updates.
PE3(config-router)# address-family l2vpn evpn	Enter to the L2 VPN address family mode to configure the address-family specific parameters.
PE3(config-router-af)# neighbor 5.5.5.5 activate	Enable the exchange of specific address family routes with a neighboring router 5.5.5.5.

PE3(config-router-af)# neighbor 6.6.6.6 activate	Enable the exchange of specific address family routes with a neighboring router 6.6.6.6.
PE3(config-router-af)# exit-address-family	Exit address family configuration mode.
PE3(config-router)# address-family ipv4 vrf L3VRF1	Enter to the IRB IPv4 VRF address family mode to configure the address-family specific parameters.
PE3(config-router-af)# redistribute connected	Redistribute connected routes.
PE3(config-router-af)# redistribute ospf	Redistribute OSPF routes.
PE3(config-router-af)# exit-address-family	Exit address family configuration mode.
PE3(config-router)# exit	Exit router configuration mode.
PE3(config)#end	Exit global configuration mode.

PE4

PE4(config)#nvo vxlan enable	Enable VxLAN.
PE4(config)#nvo vxlan irb	Enable VxLAN IRB
PE4(config)#ip vrf management	Enter into VRF configuration mode.
PE4(config-vrf)#ip vrf L3VRF2	reate a VRF routing information base called L3VRF2 for OSPF router.
PE4(config-vrf)# rd 63000:11	Specify a route distinguisher for the VRF.
PE4(config-vrf)# route-target both 101:101	dd import and export route-target extended communities to the VRF.
PE4(config-vrf)# l3vni 2000	Configure the L3 Virtual Network Identifier for an IP VRF.
PE4(config-vrf)#mac vrf L2VRF2	Create a L2 MAC VRF to use in EVPN routes.
PE4(config-vrf)# rd 3.3.3.3:11	Specify a route distinguisher for the MAC VRF.
PE4(config-vrf)# route-target both 10.10.10.10:100	Add import and export route-target extended communities to the VRF.
PE4(config-if)#interface irb2001	Enter into IRB interface configuration mode to configure IRB interfaces for OSPF router.
PE4(config-irb-if)# ip vrf forwarding L3VRF2	Associate IRB interface with L3VRF3.
PE4(config-irb-if)# ip address 50.50.50.1/24	Configure an Anycast IP address.
PE4(config-irb-if)# ip router isis 2	Configure ISIS router on IRB interface.
PE4(config-vrf)#nvo vxlan vtep-ip-global 4.4.4.4	Configure the source VTEP IP address of the VxLAN tunnel.
PE4(config)#nvo vxlan id 201 ingress-replication	Add a tenant L2 VNID to the VxLAN. Specify ingress-replication to use head end replication for forwarding BUM traffic
PE4(config-nvo)# vxlan host-reachability-protocol evpn-bgp L2VRF2	Associate the L2VRF1 reachable protocol to Ethernet-VPN over BGP
PE4(config-nvo)# evpn irb2001	Configure default gateway behavior for IRB interface irb2001.
PE4(config-nvo)# vni-name VNI-201	Configure VNI name.
PE4(config-nvo)#nvo vxlan id 3002 ingress-replication	Add a tenant L2 VNID to the VxLAN. Specify ingress-replication to use head end replication for forwarding BUM traffic.

Multi Home VxLAN-EVPN IRB with OSPF or ISIS

PE4(config-nvo)# vxlan host-reachability-protocol evpn-bgp L2VRF2	Associate the L2VRF2 reachable protocol to Ethernet-VPN over BGP.
PE4(config-nvo)# evpn irb3002	Configure default gateway behavior for IRB interface irb3002.
PE4(config-nvo)#nvo vxlan id 3003 ingress-replication	Add a tenant L2 VNID to the VxLAN. Specify ingress-replication to use head end replication for forwarding BUM traffic.
PE4(config-nvo)#qos enable	Enable QoS.
PE4(config-irb-if)#interface lo	Configure loopback interface
PE4(config-if)# ip address 4.4.4.4/32 secondary	Configure secondary IP address
PE4(config-if)# ip router isis 1	Configure ISIS router on lo interface.
PE4(config-if)#interface xe5	Configure xe5 interface.
PE4(config-if)# load-interval 30	Configures the load-interval for monitoring traffic on the xe5 interface.
PE4(config-if)# ip address 102.1.1.2/24	Configure IP address.
PE4(config-if)# mtu 9000	Configure the Maximum Transmission Unit (MTU).
PE4(config-if)# ip router isis 1	Configure ISIS router on ce3 interface.
PE4(config-if)#interface xe25	Configure xe25 interface.
PE4(config-if)# ip address 24.1.1.1/24	Configure IP address.
PE4(config-if)# mtu 9000	Configure the Maximum Transmission Unit (MTU).
PE4(config-if)#interface xe26	Configure xe26 interface.
PE4(config-if)# switchport	Configure port as L2.
PE4(config-if)# load-interval 30	Configures the load-interval for monitoring traffic on the xe26 interface.
PE4(config)#nvo vxlan access-if port-vlan xe26 200	Map the VLAN port for ISIS switch on xe26 interface to identify the VxLAN traffic and to enter NVO access interface mode.
PE4(config-acc-if-evpn)# map vpn-id 201	Map the l2vnid to an access-port.
PE4(config-if)# exit	Exit the interface configuration mode.
PE4(config)#router ospf 1	Configure OSPF router.
PE4(config-router)# network 4.4.4.4/32 area 0.0.0.0	Enable OSPF routing with area ID 0.0.0.0 on IRB interface with IP address that match the network address 4.4.4.4/32.
PE4(config-router)# network 24.1.1.0/24 area 0.0.0.0	Enable OSPF routing with area ID 0.0.0.0 on IRB interface with IP address that match the network address 24.1.1.0/24.
PE4(config-router)#router isis 1	Configure ISIS router on xe24 interface.
PE4(config-router)# is-type level-1-2	Configure IS type as level 1 and level 2.
PE4(config-router)# metric-style wide	Configure metric-style as wide.
PE4(config-router)# dynamic-hostname	Configure the hostname to advertise for the ISIS router.
PE4(config-router)# bfd all-interfaces	Enable the Bidirectional Forwarding Detection (BFD) feature on all the interfaces enabled with this ISIS instance.
PE4(config-router)# net 49.0000.0004.0001.00	Set a Network Entity Title for this instance, specifying the area address and the system ID.
PE4(config-router)# redistribute connected	Redistribute connected routes.

PE4(config-router)#!	
PE4(config-router)#router isis 2 L3VRF2	Configure ISIS on IRB L3VRF2.
PE4(config-router)# is-type level-1-2	Configure IS type as level 1 and level 2.
PE4(config-router)# metric-style wide	Configure metric-style as wide.
PE4(config-router)# dynamic-hostname	Configure the hostname to advertise for the ISIS router.
PE4(config-router)# bfd all-interfaces	Enable the Bidirectional Forwarding Detection (BFD) feature on all the interfaces enabled with this ISIS instance.
PE4(config-router)# net 49.0000.0000.0441.00	Set a Network Entity Title for this instance, specifying the area address and the system ID.
PE4(config-router)#router bgp 400	Start the eBGP router.
PE4(config-router)# bgp router-id 4.4.4.4	Configure BGP router id.
PE4(config-router)# no bgp inbound-route-filter	Disable the MPLS (Multiprotocol Label Switching) VPN/BGP inbound route-target filter.
PE4(config-router)# neighbor 5.5.5.5 remote-as 500	Configure BGP peering relationship with a customer edge router.
PE4(config-router)# neighbor 6.6.6.6 remote-as 600	Configure BGP peering relationship with a customer edge router.
PE4(config-router)# neighbor 5.5.5.5 update-source lo	Specifies that loopback interface (lo) is the source for the BGP 5.5.5.5 to establish the TCP connections
PE4(config-router)# neighbor 6.6.6.6 advertisement-interval 0	Configure a minimum advertisement interval between the sending of BGP routing updates.
PE4(config-router)# address-family l2vpn evpn	Enter to the L2 VPN address family mode to configure the address-family specific parameters.
PE4(config-router-af)# neighbor 5.5.5.5 activate	Enable the exchange of specific address family routes with a neighboring router 5.5.5.5.
PE4(config-router-af)# neighbor 6.6.6.6 activate	Enable the exchange of specific address family routes with a neighboring router 6.6.6.6.
PE4(config-router-af)# exit-address-family	Exit address family configuration mode.
PE4(config-router)# address-family ipv4 vrf L3VRF2	Enter to the IRB IPv4 VRF address family mode to configure the address-family specific parameters.
PE4(config-router-af)# redistribute connected	Redistribute connected routes.
PE4(config-router-af)# exit-address-family	Exit address family configuration mode.
PE4(config-router)# exit	Exit router configuration mode.
PE4(config)#end	Exit global configuration mode.

Validation

```
PE1#show ip ospf neighbor
```

Total number of full neighbors: 2

OSPF process 1 VRF(default):

Neighbor ID	Pri	State	Dead Time	Address	Interface	Instance ID
17.12.13.1	1	Full/DR	00:00:35	16.16.16.2	vlan1.200	0
17.17.17.2	1	Full/DR	00:00:31	17.17.17.2	vlan1.200	0

PE1#show ip route vrf all

Codes: K - kernel, C - connected, S - static, R - RIP, B - BGP

O - OSPF, IA - OSPF inter area

N1 - OSPF NSSA external type 1, N2 - OSPF NSSA external type 2

E1 - OSPF external type 1, E2 - OSPF external type 2

i - IS-IS, L1 - IS-IS level-1, L2 - IS-IS level-2,

ia - IS-IS inter area, E - EVPN,

v - vrf leaked

* - candidate default

IP Route Table for VRF "default"

```
C          1.1.1.1/32 is directly connected, lo, 00:23:27
O E2      3.3.3.3/32 [110/1] via 16.16.16.2, vlan1.200, 00:18:02
          [110/1] via 17.17.17.2, vlan1.200
O E2      7.7.7.7/32 [110/1] via 17.17.17.2, vlan1.200, 00:18:45
O E2      8.8.8.8/32 [110/1] via 16.16.16.2, vlan1.200, 00:19:14
C          16.16.16.0/24 is directly connected, vlan1.200, 00:21:24
C          17.17.1.0/24 is directly connected, vlan1.200, 00:21:24
C          17.17.17.0/24 is directly connected, vlan1.200, 00:21:24
C          20.1.1.0/24 is directly connected, xe2.103, 00:22:31
O E2      40.1.1.0/24 [110/1] via 16.16.16.2, vlan1.200, 00:18:02
          [110/1] via 17.17.17.2, vlan1.200
C          101.11.11.0/24 is directly connected, vlan1.200, 00:21:24
C          127.0.0.0/8 is directly connected, lo, 00:23:27
```

IP Route Table for VRF "management"

```
C          10.12.98.0/24 is directly connected, eth0, 00:23:27
C          127.0.0.0/8 is directly connected, lo.management, 00:23:27
```

Gateway of last resort is not set

PE1#

PE1#ping 40.1.1.1

Press CTRL+C to exit

PING 40.1.1.1 (40.1.1.1) 56(84) bytes of data.

64 bytes from 40.1.1.1: icmp_seq=1 ttl=63 time=0.678 ms

64 bytes from 40.1.1.1: icmp_seq=2 ttl=63 time=0.568 ms

64 bytes from 40.1.1.1: icmp_seq=3 ttl=63 time=0.567 ms

64 bytes from 40.1.1.1: icmp_seq=4 ttl=63 time=0.657 ms

--- 40.1.1.1 ping statistics ---

4 packets transmitted, 4 received, 0% packet loss, time 59ms

rtt min/avg/max/mdev = 0.567/0.617/0.678/0.056 ms

PE1#

```
PE2#show clns neighbors
```

```
Total number of L1 adjacencies: 4
```

```
Total number of L2 adjacencies: 4
```

```
Total number of adjacencies: 8
```

```
Tag 1: VRF : default
```

System Id	Interface	SNPA	State	Holdtime	Type	Protocol
PE7	vlan1.100	0000.0000.1111	Up	21	L1	IS-IS
			Up	21	L2	IS-IS
PE8	vlan1.100	0000.0000.1111	Up	20	L1	IS-IS
			Up	20	L2	IS-IS
PE7	vlan1.101	0000.0000.1111	Up	21	L1	IS-IS
			Up	21	L2	IS-IS
PE8	vlan1.101	0000.0000.1111	Up	20	L1	IS-IS
			Up	20	L2	IS-IS

```
PE2#show ip route vrf all
```

```
Codes: K - kernel, C - connected, S - static, R - RIP, B - BGP
```

```
O - OSPF, IA - OSPF inter area
```

```
N1 - OSPF NSSA external type 1, N2 - OSPF NSSA external type 2
```

```
E1 - OSPF external type 1, E2 - OSPF external type 2
```

```
i - IS-IS, L1 - IS-IS level-1, L2 - IS-IS level-2,
```

```
ia - IS-IS inter area, E - EVPN,
```

```
v - vrf leaked
```

```
* - candidate default
```

```
IP Route Table for VRF "default"
```

```
C          2.2.2.2/32 is directly connected, lo, 00:25:56
i L2       4.4.4.4/32 [115/10] via 13.1.1.2, vlan1.100, 00:22:51
           [115/10] via 12.1.1.2, vlan1.100
i L2       7.7.7.7/32 [115/10] via 12.1.1.2, vlan1.100, 00:24:20
i L2       8.8.8.8/32 [115/10] via 13.1.1.2, vlan1.100, 00:24:03
C          10.1.1.0/24 is directly connected, xe11.105, 00:25:23
C          11.11.11.0/24 is directly connected, vlan1.100, 00:25:22
C          12.1.1.0/24 is directly connected, vlan1.100, 00:25:22
i L1       12.13.14.0/24 [115/20] via 13.1.1.2, vlan1.100, 00:24:20
           [115/20] via 12.1.1.2, vlan1.100
C          13.1.1.0/24 is directly connected, vlan1.100, 00:25:22
i L2       50.50.50.0/24 [115/10] via 13.1.1.2, vlan1.100, 00:22:51
           [115/10] via 12.1.1.2, vlan1.100
C          127.0.0.0/8 is directly connected, lo, 00:25:56
```

```
IP Route Table for VRF "management"
```

```
C          10.12.98.0/24 is directly connected, eth0, 00:25:56
C          127.0.0.0/8 is directly connected, lo.management, 00:25:56
```

```
Gateway of last resort is not set
```

```
PE2#ping 50.50.50.1
```

```
Press CTRL+C to exit
```

```
PING 50.50.50.1 (50.50.50.1) 56(84) bytes of data.
```

Multi Home VxLAN-EVPN IRB with OSPF or ISIS

```
64 bytes from 50.50.50.1: icmp_seq=1 ttl=63 time=0.491 ms
64 bytes from 50.50.50.1: icmp_seq=2 ttl=63 time=0.411 ms
64 bytes from 50.50.50.1: icmp_seq=3 ttl=63 time=0.628 ms
64 bytes from 50.50.50.1: icmp_seq=4 ttl=63 time=0.661 ms
```

```
--- 50.50.50.1 ping statistics ---
```

```
4 packets transmitted, 4 received, 0% packet loss, time 65ms
rtt min/avg/max/mdev = 0.411/0.547/0.661/0.105 ms
PE2#
```

```
PE7#show clns neighbors
```

```
Total number of L1 adjacencies: 1
```

```
Total number of L2 adjacencies: 1
```

```
Total number of adjacencies: 2
```

```
Tag 1: VRF : default
```

System Id	Interface	SNPA	State	Holdtime	Type	Protocol
PE6	sa2	e8c5.7a19.c3c8	Up	5	L1	IS-IS
			Up	5	L2	IS-IS

```
Total number of L1 adjacencies: 2
```

```
Total number of L2 adjacencies: 2
```

```
Total number of adjacencies: 4
```

```
Tag 2: VRF : L3VRF4
```

System Id	Interface	SNPA	State	Holdtime	Type	Protocol
PE2	irb801	e8c5.7a76.581d	Up	5	L1	IS-IS
			Up	5	L2	IS-IS
PE2	irb802	e8c5.7a76.581d	Up	5	L1	IS-IS
			Up	5	L2	IS-IS

```
PE7#show ip ospf neighbor
```

```
Total number of full neighbors: 1
```

```
OSPF process 1 VRF(default):
```

Neighbor ID	Pri	State	Dead Time	Address	Interface	Instance ID
5.5.5.5	1	Full/Backup	00:00:34	22.1.1.2	sa3	0

```
Total number of full neighbors: 1
```

```
OSPF process 2 VRF(L3VRF3):
```

Neighbor ID	Pri	State	Dead Time	Address	Interface	Instance ID
1.1.1.1	1	Full/Backup	00:00:34	16.16.16.1	irb701	0

```
PE7#show ip route 2023 Nov 27 13:04:32.790 : PE7 : HSL : NOTIF : [IF_PKT_ERRORS_4]:
Fragment packets received on xe43 (1 packets)
```

```
vrf all
```

```
Codes: K - kernel, C - connected, S - static, R - RIP, B - BGP
```

O - OSPF, IA - OSPF inter area
N1 - OSPF NSSA external type 1, N2 - OSPF NSSA external type 2
E1 - OSPF external type 1, E2 - OSPF external type 2
i - IS-IS, L1 - IS-IS level-1, L2 - IS-IS level-2,
ia - IS-IS inter area, E - EVPN,
v - vrf leaked
* - candidate default

IP Route Table for VRF "default"

O 3.3.3.3/32 [110/3] via 22.1.1.2, sa3, 00:23:42
O 4.4.4.4/32 [110/3] via 22.1.1.2, sa3, 00:23:27
O 5.5.5.5/32 [110/2] via 22.1.1.2, sa3, 00:26:13
i L1 6.6.6.6/32 [115/20] via 80.1.1.2, sa2, 00:25:44
C 7.7.7.7/32 is directly connected, lo, 00:29:00
O 8.8.8.8/32 [110/3] via 22.1.1.2, sa3, 00:26:09
O 21.1.1.0/24 [110/2] via 22.1.1.2, sa3, 00:26:13
C 22.1.1.0/24 is directly connected, sa3, 00:27:04
O 23.1.1.0/24 [110/2] via 22.1.1.2, sa3, 00:24:37
O 24.1.1.0/24 [110/2] via 22.1.1.2, sa3, 00:24:20
C 80.1.1.0/24 is directly connected, sa2, 00:25:59
i L1 90.1.1.0/24 [115/20] via 80.1.1.2, sa2, 00:25:44
O 101.1.1.0/24 [110/3] via 22.1.1.2, sa3, 00:23:42
i L1 102.1.1.0/24 [115/20] via 80.1.1.2, sa2, 00:23:31
C 127.0.0.0/8 is directly connected, lo, 00:29:00

IP Route Table for VRF "management"

C 10.12.93.0/24 is directly connected, eth0, 00:29:00
C 127.0.0.0/8 is directly connected, lo.management, 00:29:00

IP Route Table for VRF "L3VRF3"

B 3.3.3.3/32 [0/0] is directly connected, tunvxlan2, 00:23:42
B 8.8.8.8/32 [0/0] is directly connected, tunvxlan2, 00:25:09
C 16.16.16.0/24 is directly connected, irb701, 00:29:00
C 17.12.13.0/24 is directly connected, irb701, 00:29:00
O 17.17.17.0/24 [110/2] via 16.16.16.1, irb701, 00:26:33
O 20.1.1.0/24 [110/2] via 16.16.16.1, irb701, 00:26:33
B 40.1.1.0/24 [20/0] via 3.3.3.3 (recursive is directly connected, tunvxlan2),
00:23:56
C 127.0.0.0/8 is directly connected, lo.L3VRF3, 00:29:00

IP Route Table for VRF "L3VRF4"

i L2 2.2.2.2/32 [115/10] via 13.1.1.1, irb801, 00:25:22
B 4.4.4.4/32 [0/0] is directly connected, tunvxlan3, 00:23:27
B 8.8.8.8/32 [0/0] is directly connected, tunvxlan3, 00:25:09
i L1 10.1.1.0/24 [115/20] via 13.1.1.1, irb801, 00:25:24
i L1 11.11.11.0/24 [115/20] via 13.1.1.1, irb801, 00:25:24
i L1 12.1.1.0/24 [115/20] via 13.1.1.1, irb801, 00:25:24
C 12.13.14.0/24 is directly connected, irb801, 00:29:00
C 13.1.1.0/24 is directly connected, irb801, 00:29:00
B 50.50.50.0/24 [20/0] via 4.4.4.4 (recursive is directly connected,
tunvxlan3), 00:23:56

Multi Home VxLAN-EVPN IRB with OSPF or ISIS

```
C          127.0.0.0/8 is directly connected, lo.L3VRF4, 00:29:00
IP Route Table for VRF "L2VRF1"
IP Route Table for VRF "L2VRF2"
IP Route Table for VRF "evpn-gvrf-1"
```

Gateway of last resort is not set

```
PE7# show nvo vxlan tunnel
```

```
VXLAN Network tunnel Entries
```

Source	Destination	Status	Up/Down	Update
7.7.7.7	8.8.8.8	Installed	00:25:36	00:25:36
7.7.7.7	4.4.4.4	Installed	00:23:53	00:23:53
7.7.7.7	3.3.3.3	Installed	00:24:08	00:24:08

Total number of entries are 3

```
PE7#show nvo vxlan l3vni-map
```

L3VNI	L2VNI	IRB-interface
2000	801	irb801
2000	8001	irb802
1000	701	irb701
1000	7001	irb702

```
PE7#show 2023 Nov 27 13:05:12.791 : PE7 : HSL : NOTIF : [IF_PKT_ERRORS_4]: Fragment
packets received on xe43 (1 packets)
```

```
nvo vxlan
```

```
VXLAN Information
```

```
=====
```

Codes: NW - Network Port
AC - Access Port
(u) - Untagged

VNID	VNI-Name	VNI-Type	Type	Interface	ESI	VLAN	DF-Status	Src-Addr	Dst-Addr
701	VNI-701	L2	NW	----	----	----	----	7.7.7.7	8.8.8.8
701	VNI-701	--	AC	sa1	00:00:01:02:03:04:05:06:07:08	200	DF	----	----
801	VNI-101	L2	NW	----	----	----	----	7.7.7.7	8.8.8.8
801	VNI-101	--	AC	po1	00:00:00:00:00:77:82:00:00:00	100	DF	----	----
1000	----	L3	NW	----	----	----	----	7.7.7.7	8.8.8.8
1000	----	L3	NW	----	----	----	----	7.7.7.7	3.3.3.3
2000	----	L3	NW	----	----	----	----	7.7.7.7	8.8.8.8
2000	----	L3	NW	----	----	----	----	7.7.7.7	4.4.4.4
7001	----	L2	NW	----	----	----	----	7.7.7.7	8.8.8.8
7001	----	--	AC	sa1	00:00:01:02:03:04:05:06:07:08	201	NON-DF	----	----
8001	----	L2	NW	----	----	----	----	7.7.7.7	8.8.8.8
8001	----	--	AC	po1	00:00:00:00:00:77:82:00:00:00	101	NON-DF	----	----

Total number of entries are 12

```
PE7#
```

```
PE7#show bgp l2vpn evpn prefix-route
```



```
RD[8100:11]
ESI      Eth-Tag Prefix-Length  IP-Address  GW-IPAddress  L3VNID/LABEL  Nexthop      Encap      Router-Mac
0        0        24          17.17.17.0   0.0.0.0       1000         8.8.8.8    VXLAN      1444:8f53:3e9e
0        0        24          17.17.17.0   0.0.0.0       1000         8.8.8.8    VXLAN      1444:8f53:3e9e
0        0        64          30::         ::            1000         8.8.8.8    VXLAN      1444:8f53:3e9e
0        0        64          30::         ::            1000         8.8.8.8    VXLAN      1444:8f53:3e9e
0        0        64          7102::       ::            1000         8.8.8.8    VXLAN      1444:8f53:3e9e
0        0        64          7102::       ::            1000         8.8.8.8    VXLAN      1444:8f53:3e9e
```

```
RD[8400:11]
ESI      Eth-Tag Prefix-Length  IP-Address  GW-IPAddress  L3VNID/LABEL  Nexthop      Encap      Router-Mac
0        0        24          10.1.1.0     0.0.0.0       2000         8.8.8.8    VXLAN      1444:8f53:3e9e
0        0        24          10.1.1.0     0.0.0.0       2000         8.8.8.8    VXLAN      1444:8f53:3e9e
0        0        24          11.11.11.0   0.0.0.0       2000         8.8.8.8    VXLAN      1444:8f53:3e9e
0        0        24          11.11.11.0   0.0.0.0       2000         8.8.8.8    VXLAN      1444:8f53:3e9e
0        0        24          12.1.1.0     0.0.0.0       2000         8.8.8.8    VXLAN      1444:8f53:3e9e
0        0        24          12.1.1.0     0.0.0.0       2000         8.8.8.8    VXLAN      1444:8f53:3e9e
0        0        24          12.13.14.0   0.0.0.0       2000         8.8.8.8    VXLAN      1444:8f53:3e9e
0        0        24          12.13.14.0   0.0.0.0       2000         8.8.8.8    VXLAN      1444:8f53:3e9e
0        0        24          13.1.1.0     0.0.0.0       2000         8.8.8.8    VXLAN      1444:8f53:3e9e
0        0        24          13.1.1.0     0.0.0.0       2000         8.8.8.8    VXLAN      1444:8f53:3e9e
0        0        32          2.2.2.2      0.0.0.0       2000         8.8.8.8    VXLAN      1444:8f53:3e9e
0        0        32          2.2.2.2      0.0.0.0       2000         8.8.8.8    VXLAN      1444:8f53:3e9e
0        0        64          2::          ::            2000         8.8.8.8    VXLAN      1444:8f53:3e9e
0        0        64          2::          ::            2000         8.8.8.8    VXLAN      1444:8f53:3e9e
0        0        64          40::         ::            2000         8.8.8.8    VXLAN      1444:8f53:3e9e
0        0        64          40::         ::            2000         8.8.8.8    VXLAN      1444:8f53:3e9e
0        0        64          50::         ::            2000         8.8.8.8    VXLAN      1444:8f53:3e9e
0        0        64          50::         ::            2000         8.8.8.8    VXLAN      1444:8f53:3e9e
0        0        64          8002::       ::            2000         8.8.8.8    VXLAN      1444:8f53:3e9e
0        0        64          8002::       ::            2000         8.8.8.8    VXLAN      1444:8f53:3e9e
0        0        64          8102::       ::            2000         8.8.8.8    VXLAN      1444:8f53:3e9e
0        0        64          8102::       ::            2000         8.8.8.8    VXLAN      1444:8f53:3e9e
```

```
RD[56000:11]
ESI      Eth-Tag Prefix-Length  IP-Address  GW-IPAddress  L3VNID/LABEL  Nexthop      Encap      Router-Mac
0        0        24          40.1.1.0     0.0.0.0       1000         3.3.3.3    VXLAN      e49d:73b1:c301
0        0        24          40.1.1.0     0.0.0.0       1000         3.3.3.3    VXLAN      e49d:73b1:c301
0        0        64          2002::       ::            1000         3.3.3.3    VXLAN      e49d:73b1:c301
0        0        64          2002::       ::            1000         3.3.3.3    VXLAN      e49d:73b1:c301
```

```
RD[63000:11]
ESI      Eth-Tag Prefix-Length  IP-Address  GW-IPAddress  L3VNID/LABEL  Nexthop      Encap      Router-Mac
0        0        24          50.50.50.0   0.0.0.0       2000         4.4.4.4    VXLAN      e8c5:7aa8:7cb3
0        0        24          50.50.50.0   0.0.0.0       2000         4.4.4.4    VXLAN      e8c5:7aa8:7cb3
0        0        64          3002::       ::            2000         4.4.4.4    VXLAN      e8c5:7aa8:7cb3
0        0        64          3002::       ::            2000         4.4.4.4    VXLAN      e8c5:7aa8:7cb3
```

```
PE7#PE8#show clns neighbors
```

```
Total number of L1 adjacencies: 1
```

```
Total number of L2 adjacencies: 1
```

```
Total number of adjacencies: 2
```

```
Tag 1: VRF : default
```

System Id	Interface	SNPA	State	Holdtime	Type	Protocol
PE6	xe2	e8c5.7a19.c3c1	Up	7	L1	IS-IS
			Up	7	L2	IS-IS

```
Total number of L1 adjacencies: 2
```

```
Total number of L2 adjacencies: 2
```

```
Total number of adjacencies: 4
```

```
Tag 2: VRF : L3VRF4
```

System Id	Interface	SNPA	State	Holdtime	Type	Protocol
PE2	irb801	e8c5.7a76.581d	Up	7	L1	IS-IS
			Up	7	L2	IS-IS

Multi Home VxLAN-EVPN IRB with OSPF or ISIS

```
PE2          irb802          e8c5.7a76.581d          Up      7          L1  IS-IS
Up          7          L2  IS-IS
```

```
PE8#show ip ospf neighbor
```

```
Total number of full neighbors: 1
```

```
OSPF process 1 VRF(default):
```

Neighbor ID	Pri	State	Dead Time	Address	Interface	Instance ID
5.5.5.5	1	Full/Backup	00:00:31	21.1.1.2	xe12	0

```
Total number of full neighbors: 1
```

```
OSPF process 2 VRF(L3VRF3):
```

Neighbor ID	Pri	State	Dead Time	Address	Interface	Instance ID
1.1.1.1	1	Full/Backup	00:00:35	17.17.17.1	irb701	0

```
PE8#terminal width 511
```

```
PE8#show ip route vrf all
```

```
Codes: K - kernel, C - connected, S - static, R - RIP, B - BGP
```

```
O - OSPF, IA - OSPF inter area
```

```
N1 - OSPF NSSA external type 1, N2 - OSPF NSSA external type 2
```

```
E1 - OSPF external type 1, E2 - OSPF external type 2
```

```
i - IS-IS, L1 - IS-IS level-1, L2 - IS-IS level-2,
```

```
ia - IS-IS inter area, E - EVPN,
```

```
v - vrf leaked
```

```
* - candidate default
```

```
IP Route Table for VRF "default"
```

```
O          3.3.3.3/32 [110/3] via 21.1.1.2, xe12, 00:26:22
O          4.4.4.4/32 [110/3] via 21.1.1.2, xe12, 00:26:07
O          5.5.5.5/32 [110/2] via 21.1.1.2, xe12, 00:28:59
i L1       6.6.6.6/32 [115/20] via 90.1.1.2, xe2, 00:28:23
O          7.7.7.7/32 [110/3] via 21.1.1.2, xe12, 00:28:52
C          8.8.8.8/32 is directly connected, lo, 00:31:21
C          21.1.1.0/24 is directly connected, xe12, 00:29:44
O          22.1.1.0/24 [110/2] via 21.1.1.2, xe12, 00:28:59
O          23.1.1.0/24 [110/2] via 21.1.1.2, xe12, 00:27:17
O          24.1.1.0/24 [110/2] via 21.1.1.2, xe12, 00:27:00
i L1       80.1.1.0/24 [115/20] via 90.1.1.2, xe2, 00:28:23
C          90.1.1.0/24 is directly connected, xe2, 00:28:39
O          101.1.1.0/24 [110/3] via 21.1.1.2, xe12, 00:26:22
i L1       102.1.1.0/24 [115/20] via 90.1.1.2, xe2, 00:26:11
C          127.0.0.0/8 is directly connected, lo, 00:31:21
```

```
IP Route Table for VRF "management"
```

```
C          10.12.93.0/24 is directly connected, eth0, 00:31:21
C          127.0.0.0/8 is directly connected, lo.management, 00:31:21
```

```
IP Route Table for VRF "L3VRF3"
```

```
B          3.3.3.3/32 [0/0] is directly connected, tunvxlan2, 00:26:22
B          7.7.7.7/32 [0/0] is directly connected, tunvxlan2, 00:28:17
B          16.16.16.0/24 [20/0] via 7.7.7.7 (recursive is directly connected,
tunvxlan2), 00:28:17
```

```

C      17.12.13.0/24 is directly connected, irb701, 00:31:21
C      17.17.17.0/24 is directly connected, irb701, 00:31:21
B      20.1.1.0/24 [20/0] via 7.7.7.7 (recursive is directly connected, tunvxlan2),
00:28:17
B      40.1.1.0/24 [20/0] via 3.3.3.3 (recursive is directly connected, tunvxlan2),
00:26:37
C      127.0.0.0/8 is directly connected, lo.L3VRF3, 00:31:21

```

IP Route Table for VRF "L3VRF4"

```

i L2      2.2.2.2/32 [115/10] via 12.1.1.1, irb801, 00:28:44
B      4.4.4.4/32 [0/0] is directly connected, tunvxlan3, 00:26:07
B      7.7.7.7/32 [0/0] is directly connected, tunvxlan3, 00:28:17
i L1      10.1.1.0/24 [115/20] via 12.1.1.1, irb801, 00:28:44
i L1      11.11.11.0/24 [115/20] via 12.1.1.1, irb801, 00:28:44
C      12.1.1.0/24 is directly connected, irb801, 00:31:21
C      12.13.14.0/24 is directly connected, irb801, 00:31:21
i L1      13.1.1.0/24 [115/20] via 12.1.1.1, irb801, 00:28:44
B      50.50.50.0/24 [20/0] via 4.4.4.4 (recursive is directly connected,
tunvxlan3), 00:26:37
C      127.0.0.0/8 is directly connected, lo.L3VRF4, 00:31:21

```

IP Route Table for VRF "L2VRF1"

IP Route Table for VRF "L2VRF2"

IP Route Table for VRF "evpn-gvrf-1"

Gateway of last resort is not set

```
PE8#show nvo vxlan tunnel
```

VXLAN Network tunnel Entries

Source	Destination	Status	Up/Down	Update
8.8.8.8	7.7.7.7	Installed	00:28:24	00:28:24
8.8.8.8	3.3.3.3	Installed	00:26:28	00:26:28
8.8.8.8	4.4.4.4	Installed	00:26:13	00:26:13

Total number of entries are 3

```
PE8#show nvo vxlan
```

VXLAN Information

```
=====
```

Codes: NW - Network Port

AC - Access Port

(u) - Untagged

VNID	VNI-Name	VNI-Type	Type	Interface	ESI	VLAN	DF-Status	Src-Addr	Dst-Addr
701	VNI-701	L2	NW	----	----	----	----	8.8.8.8	7.7.7.7
701	VNI-701	--	AC	sa1	00:00:01:02:03:04:05:06:07:08	200	NON-DF	----	----
801	VNI-101	L2	NW	----	----	----	----	8.8.8.8	7.7.7.7
801	VNI-101	--	AC	po1	00:00:00:00:00:77:82:00:00:00	100	NON-DF	----	----
1000	----	L3	NW	----	----	----	----	8.8.8.8	7.7.7.7
1000	----	L3	NW	----	----	----	----	8.8.8.8	3.3.3.3
2000	----	L3	NW	----	----	----	----	8.8.8.8	7.7.7.7
2000	----	L3	NW	----	----	----	----	8.8.8.8	4.4.4.4
7001	----	L2	NW	----	----	----	----	8.8.8.8	7.7.7.7
7001	----	--	AC	sa1	00:00:01:02:03:04:05:06:07:08	201	DF	----	----
8001	----	L2	NW	----	----	----	----	8.8.8.8	7.7.7.7
8001	----	--	AC	po1	00:00:00:00:00:77:82:00:00:00	101	DF	----	----

Multi Home VxLAN-EVPN IRB with OSPF or ISIS

Total number of entries are 12

PE8#show bgp l2vpn evpn prefix-route

```
RD[7100:11]
ESI      Eth-Tag Prefix-Length  IP-Address  GW-IPAddress  L3VNID/LABEL  Nexthop      Encap      Router-Mac
0        0        24           16.16.16.0  0.0.0.0       1000          7.7.7.7     VXLAN     e001:a666:056d
0        0        24           16.16.16.0  0.0.0.0       1000          7.7.7.7     VXLAN     e001:a666:056d
0        0        24           17.17.17.0  0.0.0.0       1000          7.7.7.7     VXLAN     e001:a666:056d
0        0        24           17.17.17.0  0.0.0.0       1000          7.7.7.7     VXLAN     e001:a666:056d
0        0        24           20.1.1.0    0.0.0.0       1000          7.7.7.7     VXLAN     e001:a666:056d
0        0        24           20.1.1.0    0.0.0.0       1000          7.7.7.7     VXLAN     e001:a666:056d
0        0        64           30::        ::            1000          7.7.7.7     VXLAN     e001:a666:056d
0        0        64           30::        ::            1000          7.7.7.7     VXLAN     e001:a666:056d
0        0        64           7002::      ::            1000          7.7.7.7     VXLAN     e001:a666:056d
0        0        64           7002::      ::            1000          7.7.7.7     VXLAN     e001:a666:056d
```

```
RD[7400:11]
ESI      Eth-Tag Prefix-Length  IP-Address  GW-IPAddress  L3VNID/LABEL  Nexthop      Encap      Router-Mac
0        0        24           10.1.1.0    0.0.0.0       2000          7.7.7.7     VXLAN     e001:a666:056d
0        0        24           10.1.1.0    0.0.0.0       2000          7.7.7.7     VXLAN     e001:a666:056d
0        0        24           11.11.11.0  0.0.0.0       2000          7.7.7.7     VXLAN     e001:a666:056d
0        0        24           11.11.11.0  0.0.0.0       2000          7.7.7.7     VXLAN     e001:a666:056d
0        0        24           12.1.1.0    0.0.0.0       2000          7.7.7.7     VXLAN     e001:a666:056d
0        0        24           12.1.1.0    0.0.0.0       2000          7.7.7.7     VXLAN     e001:a666:056d
0        0        24           12.13.14.0  0.0.0.0       2000          7.7.7.7     VXLAN     e001:a666:056d
0        0        24           12.13.14.0  0.0.0.0       2000          7.7.7.7     VXLAN     e001:a666:056d
0        0        24           13.1.1.0    0.0.0.0       2000          7.7.7.7     VXLAN     e001:a666:056d
0        0        24           13.1.1.0    0.0.0.0       2000          7.7.7.7     VXLAN     e001:a666:056d
0        0        32           2.2.2.2     0.0.0.0       2000          7.7.7.7     VXLAN     e001:a666:056d
0        0        32           2.2.2.2     0.0.0.0       2000          7.7.7.7     VXLAN     e001:a666:056d
0        0        64           2::         ::            2000          7.7.7.7     VXLAN     e001:a666:056d
0        0        64           2::         ::            2000          7.7.7.7     VXLAN     e001:a666:056d
0        0        64           40::        ::            2000          7.7.7.7     VXLAN     e001:a666:056d
0        0        64           40::        ::            2000          7.7.7.7     VXLAN     e001:a666:056d
0        0        64           50::        ::            2000          7.7.7.7     VXLAN     e001:a666:056d
0        0        64           50::        ::            2000          7.7.7.7     VXLAN     e001:a666:056d
0        0        64           8002::      ::            2000          7.7.7.7     VXLAN     e001:a666:056d
0        0        64           8002::      ::            2000          7.7.7.7     VXLAN     e001:a666:056d
0        0        64           8102::      ::            2000          7.7.7.7     VXLAN     e001:a666:056d
0        0        64           8102::      ::            2000          7.7.7.7     VXLAN     e001:a666:056d
```

```
RD[56000:11]
ESI      Eth-Tag Prefix-Length  IP-Address  GW-IPAddress  L3VNID/LABEL  Nexthop      Encap      Router-Mac
0        0        24           40.1.1.0    0.0.0.0       1000          3.3.3.3     VXLAN     e49d:73b1:c301
0        0        24           40.1.1.0    0.0.0.0       1000          3.3.3.3     VXLAN     e49d:73b1:c301
0        0        64           2002::      ::            1000          3.3.3.3     VXLAN     e49d:73b1:c301
0        0        64           2002::      ::            1000          3.3.3.3     VXLAN     e49d:73b1:c301
```

```
RD[63000:11]
ESI      Eth-Tag Prefix-Length  IP-Address  GW-IPAddress  L3VNID/LABEL  Nexthop      Encap      Router-Mac
0        0        24           50.50.50.0  0.0.0.0       2000          4.4.4.4     VXLAN     e8c5:7aa8:7cb3
0        0        24           50.50.50.0  0.0.0.0       2000          4.4.4.4     VXLAN     e8c5:7aa8:7cb3
0        0        64           3002::      ::            2000          4.4.4.4     VXLAN     e8c5:7aa8:7cb3
0        0        64           3002::      ::            2000          4.4.4.4     VXLAN     e8c5:7aa8:7cb3
```

PE8#

PE3#show ip ospf neighbor

Total number of full neighbors: 1

OSPF process 1 VRF(default):

Neighbor ID	Pri	State	Dead Time	Address	Interface	Instance ID
5.5.5.5	1	Full/DR	00:00:29	23.1.1.2	xe14	0

Total number of full neighbors: 1

OSPF process 2 VRF(L3VRF1):

Neighbor ID	Pri	State	Dead Time	Address	Interface	Instance ID
192.0.0.2	0	Full/DROther	00:00:35	40.1.1.2	irb1001	0

PE3#show ip route vrf all

Codes: K - kernel, C - connected, S - static, R - RIP, B - BGP

O - OSPF, IA - OSPF inter area

N1 - OSPF NSSA external type 1, N2 - OSPF NSSA external type 2

E1 - OSPF external type 1, E2 - OSPF external type 2

i - IS-IS, L1 - IS-IS level-1, L2 - IS-IS level-2,

ia - IS-IS inter area, E - EVPN,

v - vrf leaked

* - candidate default

IP Route Table for VRF "default"

```

C          3.3.3.3/32 is directly connected, lo, 00:37:01
O          4.4.4.4/32 [110/3] via 23.1.1.2, xe14, 00:35:25
O          5.5.5.5/32 [110/2] via 23.1.1.2, xe14, 00:35:44
i L1      6.6.6.6/32 [115/20] via 101.1.1.1, ce3, 00:36:20
O          7.7.7.7/32 [110/3] via 23.1.1.2, xe14, 00:35:44
O          8.8.8.8/32 [110/3] via 23.1.1.2, xe14, 00:35:44
O          21.1.1.0/24 [110/2] via 23.1.1.2, xe14, 00:35:44
O          22.1.1.0/24 [110/2] via 23.1.1.2, xe14, 00:35:44
C          23.1.1.0/24 is directly connected, xe14, 00:36:36
O          24.1.1.0/24 [110/2] via 23.1.1.2, xe14, 00:35:44
i L1      80.1.1.0/24 [115/20] via 101.1.1.1, ce3, 00:36:20
i L1      90.1.1.0/24 [115/20] via 101.1.1.1, ce3, 00:36:20
C          101.1.1.0/24 is directly connected, ce3, 00:36:35
i L1      102.1.1.0/24 [115/20] via 101.1.1.1, ce3, 00:35:30
C          127.0.0.0/8 is directly connected, lo, 00:37:01

```

IP Route Table for VRF "management"

```

C          10.12.98.0/24 is directly connected, eth0, 00:37:01
C          127.0.0.0/8 is directly connected, lo.management, 00:37:01

```

IP Route Table for VRF "L3VRF1"

```

B          7.7.7.7/32 [0/0] is directly connected, tunvxlan2, 00:35:44
B          8.8.8.8/32 [0/0] is directly connected, tunvxlan2, 00:35:44
B          16.16.16.0/24 [20/0] via 7.7.7.7 (recursive is directly connected,
tunvxlan2), 00:36:15
B          17.17.17.0/24 [20/0] via 7.7.7.7 (recursive is directly connected,
tunvxlan2), 00:36:15
B          20.1.1.0/24 [20/0] via 7.7.7.7 (recursive is directly connected, tu
nvxlan2), 00:36:15
C          40.1.1.0/24 is directly connected, irb1001, 00:37:01
O          55.0.0.0/24 [110/2] via 40.1.1.2, irb1001, 00:01:38
O          55.0.1.0/24 [110/2] via 40.1.1.2, irb1001, 00:01:38
O          55.0.2.0/24 [110/2] via 40.1.1.2, irb1001, 00:01:38
O          55.0.3.0/24 [110/2] via 40.1.1.2, irb1001, 00:01:38

```

Multi Home VxLAN-EVPN IRB with OSPF or ISIS

```
O          55.0.4.0/24 [110/2] via 40.1.1.2, irb1001, 00:01:38
O          55.0.5.0/24 [110/2] via 40.1.1.2, irb1001, 00:01:38
O          55.0.6.0/24 [110/2] via 40.1.1.2, irb1001, 00:01:38
O          55.0.7.0/24 [110/2] via 40.1.1.2, irb1001, 00:01:38
O          55.0.8.0/24 [110/2] via 40.1.1.2, irb1001, 00:01:38
O          55.0.9.0/24 [110/2] via 40.1.1.2, irb1001, 00:01:38
C          127.0.0.0/8 is directly connected, lo.L3VRF1, 00:37:01
```

IP Route Table for VRF "L2VRF1"

Gateway of last resort is not set

PE3#show nvo vxlan tunnel

VXLAN Network tunnel Entries

Source	Destination	Status	Up/Down	Update
3.3.3.3	7.7.7.7	Installed	00:35:56	00:35:56
3.3.3.3	8.8.8.8	Installed	00:35:56	00:35:56

Total number of entries are 2

PE3#

PE4#show clns neighbors

Total number of L1 adjacencies: 1

Total number of L2 adjacencies: 1

Total number of adjacencies: 2

Tag 1: VRF : default

System Id	Interface	SNPA	State	Holdtime	Type	Protocol
PE6	xe5	e8c5.7a19.c3ae	Up	21	L1	IS-IS
			Up	21	L2	IS-IS

Total number of L1 adjacencies: 0

Total number of L2 adjacencies: 1

Total number of adjacencies: 1

Tag 2: VRF : L3VRF2

System Id	Interface	SNPA	State	Holdtime	Type	Protocol
Spirent-1	irb2001	0010.9400.0007	Up	26	L2	IS-IS

Total number of L1 adjacencies: 0

Total number of L2 adjacencies: 1

Total number of adjacencies: 1

Tag 3: VRF : L3VRF2

System Id	Interface	SNPA	State	Holdtime	Type	Protocol
0010.9400.0009	irb3002	0010.9400.0009	Up	25	L2	IS-IS

PE4#show ip route vrf all

Codes: K - kernel, C - connected, S - static, R - RIP, B - BGP

O - OSPF, IA - OSPF inter area

N1 - OSPF NSSA external type 1, N2 - OSPF NSSA external type 2

E1 - OSPF external type 1, E2 - OSPF external type 2

i - IS-IS, L1 - IS-IS level-1, L2 - IS-IS level-2,

ia - IS-IS inter area, E - EVPN,

v - vrf leaked
* - candidate default

IP Route Table for VRF "default"

```
O          3.3.3.3/32 [110/3] via 24.1.1.2, xe25, 00:36:12
C          4.4.4.4/32 is directly connected, lo, 00:37:52
O          5.5.5.5/32 [110/2] via 24.1.1.2, xe25, 00:36:12
i L1      6.6.6.6/32 [115/20] via 102.1.1.1, xe5, 00:36:48
O          7.7.7.7/32 [110/3] via 24.1.1.2, xe25, 00:36:12
O          8.8.8.8/32 [110/3] via 24.1.1.2, xe25, 00:36:12
O          21.1.1.0/24 [110/2] via 24.1.1.2, xe25, 00:36:12
O          22.1.1.0/24 [110/2] via 24.1.1.2, xe25, 00:36:12
O          23.1.1.0/24 [110/2] via 24.1.1.2, xe25, 00:36:12
C          24.1.1.0/24 is directly connected, xe25, 00:37:04
i L1      80.1.1.0/24 [115/20] via 102.1.1.1, xe5, 00:36:48
i L1      90.1.1.0/24 [115/20] via 102.1.1.1, xe5, 00:36:48
O          101.1.1.0/24 [110/3] via 24.1.1.2, xe25, 00:36:12
C          102.1.1.0/24 is directly connected, xe5, 00:37:04
C          127.0.0.0/8 is directly connected, lo, 00:37:52
```

IP Route Table for VRF "management"

```
C          10.12.98.0/24 is directly connected, eth0, 00:37:52
C          127.0.0.0/8 is directly connected, lo.management, 00:37:52
```

IP Route Table for VRF "L3VRF2"

Gateway of last resort is 7.7.7.7 to network 0.0.0.0

```
B*          0.0.0.0/0 [20/0] via 7.7.7.7 (recursive is directly connected, tunv
xlan2), 00:01:50
B          2.2.2.2/32 [20/0] via 7.7.7.7 (recursive is directly connected, tun
vxlan2), 00:36:41
B          7.7.7.7/32 [0/0] is directly connected, tunvxlan2, 00:36:12
B          8.8.8.8/32 [0/0] is directly connected, tunvxlan2, 00:36:12
B          10.1.1.0/24 [20/0] via 7.7.7.7 (recursive is directly connected, tu
nvxlan2), 00:36:41
B          11.11.11.0/24 [20/0] via 7.7.7.7 (recursive is directly connected,
tunvxlan2), 00:36:41
B          12.1.1.0/24 [20/0] via 7.7.7.7 (recursive is directly connected, tu
nvxlan2), 00:36:41
B          12.13.14.0/24 [20/0] via 7.7.7.7 (recursive is directly connected,
tunvxlan2), 00:36:41
B          13.1.1.0/24 [20/0] via 7.7.7.7 (recursive is directly connected, tu
nvxlan2), 00:36:41
C          50.50.50.0/24 is directly connected, irb2001, 00:37:52
C          127.0.0.0/8 is directly connected, lo.L3VRF2, 00:37:52
```

IP Route Table for VRF "L2VRF2"

Gateway of last resort is not set

PE4# show nvo vxlan tunnel

VXLAN Network tunnel Entries

Source	Destination	Status	Up/Down	Update
=====				

4.4.4.4	7.7.7.7	Installed	00:36:18	00:36:18
4.4.4.4	8.8.8.8	Installed	00:36:18	00:36:18

Total number of entries are 2
PE4#

Abbreviations

The following are some key abbreviations and their meanings relevant to this document:

Acronym	Description
ECMP	Equal-Cost Multipath
EVPN	Ethernet Virtual Private Network
MPLS	Multiprotocol Label Switching
VxLAN	Virtual Extensible LAN
SR	Segment Routing
IRB	Integrated Routing
OSPF	Open Shortest Path First
ISIS	Intermediate System to Intermediate System

Glossary

The following provides definitions for key terms used throughout this document.

Multi Home VxLAN	This refers to a Virtual Extensible LAN (VxLAN) deployment where a Multi data center or network site is connected to a Multi external network (usually the internet) for connectivity.
IRB	A networking feature that enables the integration of Layer 3 IP routing and Layer 2 MAC address bridging within the same interface, simplifying network management and resource utilization.
OSPF	A dynamic and efficient link-state routing protocol used to determine the best path for data packets in an IP network. It is characterized by rapid convergence and adaptability, making it suitable for large and dynamic networks.
ISIS	A routing protocol designed for scalability and stability in computer networks, commonly used in large Service Provider networks. It provides a robust framework for routing information exchange.
Layer 3 Routing	Network routing operations at the Network Layer (Layer 3) of the OSI model, focusing on routing IP packets between different subnets or networks.
Layer 2 Bridging	Network bridging operations at the Data Link Layer (Layer 2) of the OSI model, handling the forwarding of data frames based on MAC addresses within the same network segment.
EVPN	Ethernet VPN, a technology that provides advanced and efficient methods for Layer 2 and Layer 3 services in Ethernet networks, often used in data centers and service provider environments.

Virtual eXtensible Local Area Network Command Reference

CHAPTER 1 VXLAN Commands

This chapter describes the VXLAN commands:

- `arp-cache disable`
- `arp-nd flood-suppress`
- `arp-nd refresh timer`
- `clear mac address table dynamic vxlan`
- `clear nvo vxlan counters`
- `clear nvo vxlan tunnels`
- `clear nvo vxlan mac-stale-entries`
- `description`
- `dynamic-learning disable`
- `encapsulation`
- `evpn esi holdtime`
- `evpn vxlan multi-homing enable`
- `evpn multi-homed`
- `evpn-vlan-service`
- `garp-gna enable`
- `load-balance rtag7 vxlan inner-l2`
- `load-balance rtag7 vxlan inner-l3`
- `mac`
- `mac vrf`
- `mac-holdtime`
- `map vnid`
- `nd-cache disable`
- `no nvo vxlan`
- `nvo vxlan`
- `nvo vxlan id`
- `nvo vxlan access-if`
- `nvo vxlan mac-ageing-time`
- `nvo vxlan max-cache-disable`
- `nvo vxlan vtep-ip-global`
- `show bgp l2vpn evpn`
- `show bgp l2vpn evpn summary`
- `show nvo vxlan`
- `show nvo vxlan access-if-config`

- `show nvo vxlan arp-cache`
- `show nvo vxlan counters access-port`
- `show nvo vxlan counters network-port`
- `show nvo vxlan mac-table`
- `show nvo vxlan nd-cache`
- `show nvo vxlan static host state`
- `show nvo vxlan tunnel`
- `show running-config nvo vxlan`
- `show evpn multi-homing all`
- `show evpn multihoming-status`
- `show nvo vxlan route-count`
- `show nvo vxlan vni-name`
- `shutdown`
- `vxlan host-reachability-protocol evpn-bgp`

arp-cache disable

Use this command to disable the ARP cache for MAC/IP.

When the ARP cache is disabled on a VxLAN access port, OcnOS does not reply to any ARP arriving on this port from the cache. OcnOS withdraws all MAC/IPs configured/learned on this access port and removes the MAC/IP entry for this access port from the local ARP cache.

OcnOS also makes sure that on withdrawing the MAC/IP route, the MAC does not become unknown. If all routes for this MAC are being withdrawn because of this command, then OcnOS advertises a MAC-only route. This is done so that the MAC does not become unknown and only the cache functionality becomes disabled.

Use the `no` form of this command to enable ARP cache for MAC/IP.

Note: On enabling the cache, an IP will be in conflict, then the cache enable will fail. The conflict has to be manually removed and then the cache enabled.

Command Syntax

```
arp-cache disable
no arp-cache disable
```

Parameters

None

Default

By default, the arp-cache option is enabled.

Command Mode

NVO access interface mode

Applicability

This command was introduced before OcnOS version 1.3.

Example

```
#configure terminal
(config)#nvo vxlan access-if port-vlan xel 2
(config-nvo-acc-if)#arp-cache disable
(config-nvo-acc-if)#exit
```

arp-nd flood-suppress

Use this command to *completely* restrict the flood of ARP/ND packets towards remote VTEPs or other access ports.

This command applies only when the ARP cache and ND cache are enabled. When the ARP cache is disabled, ARP flooding is not suppressed even if this command is given. When the ND cache is disabled, ND flooding is not disabled, even if this command is given.

Use the `no` form of this command to not restrict the flood of ARP/ND packets.

Command Syntax

```
arp-nd flood-suppress
no arp-nd flood-suppress
```

Parameters

None

Default

By default, the `arp-nd flood-suppress` option is disabled.

Command Mode

NVO access interface mode

Applicability

This command was introduced before OcNOS version 1.3.

Example

```
#configure terminal
(config)#nvo vxlan access-if port-vlan xel 2
(config-nvo-acc-if)#arp-nd flood-suppress
(config-nvo-acc-if)#exit
```

arp-nd refresh timer

Use this command to configure aging out the arp-cache and nd-cache entries for given time multiplied by 3 in secs

Use the no form of this command to remove the configuration.

Command Syntax

```
nvo vxlan arp-nd refresh-timer <3-190> mac (XX-XX-XX-XX-XX-XX|XX:XX:XX:XX:XX:XX|XXXX.XXXX.XXXX)
no nvo vxlan arp-nd refresh-timer
```

Parameters

<3-190> refresh time in seconds

XX-XX-XX-XX-XX-XX

v-mac is mandatory for MH

Command Mode

Config mode

Applicability

This command was introduced before OcnOS version 1.3.

Example

```
#config mode
(config)#nvo vxlan arp-nd refresh-timer 100
(config)#no nvo vxlan arp-nd refresh-timer
```

Example to configure in MH node

```
(config)#nvo vxlan arp-nd refresh-timer 100 mac 0000.1111.2222
```

clear mac address table dynamic vxlan

Use this command to clear dynamically learned MACs.

Command Syntax

```
clear mac address table dynamic vxlan
```

Parameters

None

Command Mode

Exec mode

Applicability

This command was introduced before OcNOS version 1.3.

Example

```
#clear mac address table dynamic vxlan
```

clear nvo vxlan counters

Use this command to clear the counters of access ports or network ports.

Command Syntax

```
clear nvo vxlan counters((access-port (port IFNAME | port-vlan IFNAME (VLAN_ID |
outer-vlan) | all)) | (network-port (dst A.B.C.D | all)))
```

Parameters

port	Port
IFNAME	Interface name
port-vlan	VLAN port
IFNAME	Interface name
VLAN_ID	VLAN identifier
Outer-vlan	Outer Vlan
A.B.C.D	Tunnel destination IPv4 address
all	All access or network ports

Command Mode

Exec mode

Applicability

This command was introduced before OcNOS version 1.3.

Example

Example for clearing a VLAN port counter:

```
#clear nvo vxlan counters access-port port-vlan xe1 2
```

Example for clearing all access port counters:

```
#clear nvo vxlan counters access-port all
```

Example for clearing network port counters:

```
#clear nvo vxlan counters network-port dst 1.1.1.1
```

Example for clearing all network port counters:

```
#clear nvo vxlan counters network-port all
```

clear nvo vxlan tunnels

Use this command to clear the nvo vxlan tunnels to re-establish the tunnel after mapping/un-mapping the QoS profile to vxlan tunnel.

Command Syntax

```
clear nvo vxlan tunnels [|dst-ip A.B.C.D)
```

Parameters

dst-ip	VXLAN tunnel destination
A.B.C.D	destination IPv4 address

Command Mode

Exec mode

Applicability

This command was introduced in OcNOS-SP version 1.0.

Example

```
#clear nvo vxlan tunnels dst-ip 2.2.2.2
```

Note: `clear nvo vxlan tunnels` This command will clear all the VXLAN tunnels destination.

`clear nvo vxlan tunnels dst-ip A.B.C.D` - This command to clear individual tunnel destination(i.e A.B.C.D).

clear nvo vxlan mac-stale-entries

Use this command to clear MAC entries that are in discard state in the forwarding database.

Command Syntax

```
clear nvo vxlan mac-stale-entries (vnid <1-16777215> |)
```

Parameters

<1-16777215> VXLAN network identifier

Command Mode

Exec mode

Applicability

This command was introduced before OcnOS version 1.3.

Example

```
#clear nvo vxlan mac-stale-entries vnid 100
```

description

Use this command to set a description for a port.

Use the `no` form of this command to remove the description for a port.

Command Syntax

```
description LINE
no description
```

Parameters

`LINE` Maximum 32 characters describing this port.

Default

No default value is specified for description `LINE` commands.

Command Mode

NVO access interface mode

Applicability

This command was introduced before OcNOS version 1.3.

Example

```
#configure terminal
(config)#nvo vxlan access-if port-vlan xel 2
(config-nvo-acc-if)#description member-port xel with vlan 2
(config-nvo-acc-if)#exit
```

dynamic-learning disable

Use this command to disable dynamic learning of MACs at the access port. This command also disables dynamic learning of MAC/IP from ARP/ND messages received on this access port.

Use the `no` form of this command to enable dynamic learning of MACs at the access port.

Command Syntax

```
dynamic-learning disable
no dynamic-learning disable
```

Parameters

None

Default

By default, the dynamic-learning option is enabled.

Command Mode

NVO access interface mode

Applicability

This command was introduced before OcNOS version 1.3.

Example

```
#configure terminal
(config)#nvo vxlan access-if port-vlan xel 2
(config-nvo-acc-if)#dynamic-learning disable
(config-nvo-acc-if)#exit
```

encapsulation

Use this command to assign a Tag Protocol Identifier (TPID) to an access port.

Use the `no` form of this command to set the default TPID (0x8100: IEEE 802.1Q VLAN-tagged frame) to an access port.

Command Syntax

```
encapsulation TPID
no encapsulation
```

Parameters

TPID	Tag Protocol Identifier:
	Ox88A8: IEEE 802.1ad Provider Bridging
	Ox9100: IEEE 802.1Q VLAN-tagged frame with double tagging

Default

The encapsulation TPID default is 0X8100.

Command Mode

NVO access interface mode

Applicability

This command was introduced before OcnOS version 1.3.

Example

```
#configure terminal
(config)#nvo vxlan access-if port-vlan xe1 2
(config-nvo-acc-if)#encapsulation 0x9100
(config-nvo-acc-if)#exit
```


evpn esi holdtime

Use this command to allow some time for the tunnels to come at the time of vxlan initialization before making the esi up. This avoids traffic to be black-holed when a new PE is added and connected to an already running CE for multi-homing.

Use the no form of this command to make the esi up immediately when configuring the access-if cli.

Command Syntax

```
evpn esi holdtime <10-300>
no evpn esi holdtime <10-300>
```

Parameters

<10-300>	Hold time in seconds
----------	----------------------

Default

Default value is 0.

Command Mode

Configuration Mode

Applicability

This command was introduced before OcNOS version 1.3.

Example

```
#configure terminal
(config)# evpn esi holdtime 100
(config)# exit
```

evpn vxlan multi-homing enable

Use this command to enable evpn vxlan multi-homing

Use the no form of this command to disable evpn vxlan multi-homing.

Note: Node will have to be restarted for this to be applicable. If there are some nodes in topology which have multi-homed CEs, then nodes which do not have multi-homed CEs should also enable multihoming so, that they can load share traffic to the multi-homed CEs.

Command Syntax

```
evpn vxlan multihoming enable
no evpn vxlan multihoming enable
```

Parameters

None

Default

By Default Multi-homing will be disabled

Command Mode

Configuration Mode

Applicability

This command was introduced before OcNOS version 1.3.

Example

```
#configure terminal
#(config)# evpn vxlan multihoming enable
#(config)# exit
```

evpn multi-homed

Use this command to configure interfaces as multi-homed and configure esi-value in case of physical and static lag and system-mac in case of Dynamic lag.

Use the no parameter of this command to unconfigure multi-homed on the interface.

Command Syntax

```
evpn multi-homed (esi XX:XX:XX:XX:XX:XX:XX:XX | system-mac (XX-XX-XX-XX-XX-
  XX|XX:XX:XX:XX:XX:XX|XXXX.XXXX.XXXX)
no evpn multi-homed (esi | system-mac)
```

Parameters

XX:XX:XX:XX:XX:XX:XX:XX ESI value in HH:HH:HH:HH:HH:HH:HH:HH - 9
octet format

XX-XX-XX-XX-XX-XX Host MAC address (Option 1)

XX:XX:XX:XX:XX:XX Host MAC address (Option 2)

XXXX.XXXX.XXXX Host MAC address (Option 3)

Default

Default value is 0.

Command Mode

Interface Mode

Applicability

This command was introduced before OcNOS version 1.3.

Example

```
#configure terminal
(config)# interface xel
(config)# evpn multi-homed esi 00:11:22:33:44:55:66:77:88
(config)# exit

configure terminal
(config)# interface po1
(config)# evpn multi-homed system-mac 0000.0000.1111
(config)# exit
```

evpn-vlan-service

Use this command to configure EVPN-Service type.

Use the `no` form of this command to delete the evpn vlan service.

Note: If access port mappings to vnid exists already and VLAN service is configured later and mapped to tenant then we should not allow the mapping, user should either remove and reconfigure the access port mappings.

Command Syntax

```
evpn-vlan-service (vlan-aware-bundle | vlan-based)
no evpn-vlan-service
```

Parameters

<code>vlan-based</code>	VLAN-based mapping of a mac-vrf to single VNI (1 to 1)
<code>vlan-aware-bundle</code>	VLAN-aware-bundle mapping of a mac-vrf to multiple VNI (1 to many)

Default

By default, `vlan-aware-bundle` service is applied when we no `evpn-vlan-service` configuration is specified explicitly.

Command Mode

MAC vrf mode

Applicability

This command was introduced before OcnOS version 1.3.

Example

```
#configure terminal
(config)#mac vrf vrf1
(config-vrf)# evpn-vlan-service vlan-based
(config-vrf)# no evpn-vlan-service vlan-based
```

garp-gna enable

Use this command to enable GARP/GNA packets per vxlan on the outgoing access interfaces where it is configured.

Use the no form this command to disable GARP/GNA packets on the outgoing access interfaces.

By default it will be disable

Command Syntax

```
garp-gna enable
```

```
garp-gna enable
```

Parameters

None

Command Mode

config-nvo-acc-if mode

Applicability

This command is introduced in OcNOS version 1.3.6.

Example

```
#configure terminal  
(config)#nvo vxlan access-if port-vlan xe1 10  
config-nvo-acc-if)#garp-gna enable
```

load-balance rtag7 vxlan inner-l2

Use this command to enable RTAG7 load balancing for VxLAN for inner-L2 packets on the access side for load sharing of traffic on tunnel paths. This command also enables random UDP source port generation for the VxLAN UDP tunnels based on the L2 frame being received on the VxLAN access port.

Use the `no` parameter of this command to disable load balance for RTAG7 for VxLAN for inner-L2 frames.

Command Syntax

```
load-balance rtag7 vxlan inner-l2 (dest-mac | src-mac)
no load-balance rtag7 vxlan inner-l2 (dest-mac | src-mac)
```

Parameter

<code>dest-mac</code>	Destination MAC Address.
<code>src-mac</code>	Source MAC Address.

Default

By default, the `load-balance rtag7 vxlan inner-l2` default is `src-mac`.

Command Mode

Configure mode

Applicability

This command was introduced before OcnOS version 1.3.

Example

```
#configure terminal
(config)#load-balance rtag7 vxlan inner-l2 dest-mac

(config)#no load-balance rtag7 vxlan inner-l2 dest-mac
```

load-balance rtag7 vxlan inner-l3

Use this command to enable RTAG7 load balancing for VXLAN for inner-L3 IPv4 and IPv6 packets on the access side for load sharing of traffic on tunnel paths. This command also enables random UDP source port generation for the VXLAN UDP tunnels based on the L3 frame being received on the VXLAN access port.

Use the `no` parameter of this command to disable load balance for RTAG7 for VXLAN for inner-L3 IPv4 and IPv6 frames.

Command Syntax

```
load-balance rtag7 vxlan inner-l3 (dest-ip | destl4-port | protocol-id | src-ip |
  srcl4-port)
no load-balance rtag7 vxlan inner-l3 (dest-ip | destl4-port | protocol-id | src-ip
  | srcl4-port)
```

Parameter

<code>dest-ip</code>	Destination IP.
<code>destl4-port</code>	Destination I4 port.
<code>protocol-id</code>	Protocol (IPv4).
<code>src-ip</code>	Source IP.
<code>srcl4-port</code>	Source I4 port.

Default

By default, the `load-balance rtag7 vxlan inner-l3` default is `src-ip`.

Command Mode

Configure mode

Applicability

This command was introduced before OcNOS version 1.3.

Example

```
#configure terminal
(config)#load-balance rtag7 vxlan inner-l3 dest-ip

(config)#no load-balance rtag7 vxlan inner-l3 dest-ip
```

mac

Use this command to associate a static MAC address and a static IPv4 or IPv6 address on an access interface.

Use the `no` form of this command to disassociate a static MAC address and an IPv4 or IPv6 address for an access interface.

Note: When a static host is configured on an access port which is in the down state, its state is Inactive.

Note: The same static mac configuration is not allowed on a different access port as then there will be a chance of conflict. However, if a dynamic packet is sent at another access port which is up and running with the same MAC, it learns as usual. As soon as the port on which the static MAC is configured comes up, static learning is given precedence and the dynamically learned MAC is moved to the port where it is configured statically.

Command Syntax

```
mac XXXX.XXXX.XXXX
mac XXXX.XXXX.XXXX (ip A.B.C.D | ipv6 X:X::X:X)
no mac XXXX.XXXX.XXXX (ip A.B.C.D | ipv6 X:X::X:X)
```

Parameters

XXXX.XXXX.XXXX Static MAC address. The following formats are supported:

XX-XX-XX-XX-XX-XX Source MAC address (Option 1)

XX:XX:XX:XX:XX:XX Source MAC address (Option 2)

XXXX.XXXX.XXXX Source MAC address (Option 3)

A.B.C.D Static IPv4 address.

X:X::X:X Static IPv6 address.

Default

No default value is specified for mac command.

Command Mode

NVO access interface mode

Applicability

This command was introduced before OcNOS version 1.3.

Example

```
#configure terminal
(config)#nvo vxlan access-if port-vlan xel 2
(config-nvo-acc-if)#mac 0000.0000.aaaa ip 10.10.10.1
(config-nvo-acc-if)#mac 0000.0000.aaaa ipv6 1201::1
(config-nvo-acc-if)#exit
```


mac vrf

Use this command to create a MAC VRF to use in EVPN routes.

See also [vxlan host-reachability-protocol evpn-bgp](#).

Use the `no` parameter of this command to delete the MAC VRF.

Command Syntax

```
mac vrf WORD
no mac vrf WORD
```

Parameter

WORD MAC routing or forwarding instance name.

Default

No default value is specified for `mac vrf WORD` command.

Command Mode

Configure mode

Applicability

This command was introduced before OcnOS version 1.3.

Example

```
#configure terminal
(config)#mac vrf vrf1

(config)#no mac vrf vrf1
```

mac-holdtime

Use this command to set the MAC hold time for a MAC/IP or MAC.

The feature holds the MAC in hardware until BGP has withdrawn from the neighbors. This helps to reduce flooding to other access ports.

This setting applies when the access port is shut down, the physical port on which the access port is down, or the access port is removed from the VNID using the `no` form of the `map vnid` command.

When the MAC hold time is configured as `-1`, then the MAC is not removed from the hardware and is also not withdrawn from EVPN BGP.

Use the `no` form of this command to remove the MAC hold time for the MAC/IP or MAC.

Note: When a MAC is moved to discard state, traffic to and from this MAC is discarded. This is applicable only on statically configured MAC/MAC-IPs.

Command Syntax

```
mac-holdtime <-1-300>
no mac-holdtime
```

Parameters

`<-1-300>` MAC hold time in seconds. Specify `-1` to “never expire”.

Default

The default holdtime for mac is 3 seconds.

Command Mode

NVO mode and NVO_ACC_IF_MODE mode

Note: When configured in both modes, then the NVO_ACC_IF_MODE value takes preference for that access port.

Applicability

This command was introduced before OcNOS version 1.3.

This command in NVO_ACC_IF_MODE mode is introduced in OcNOS version 1.3.4.

Example

```
#configure terminal
(config)#nvo vxlan id 3 ingress-replication inner-vid-disabled
(config-nvo)#mac-holdtime -1
(config-nvo)#exit
```

map vnid

Use this command to map a tenant to an access-port.

Use the `no` form of this command to remove the tenant from an access-port

Command Syntax

```
map vnid <1-16777215>
no map vnid <1-16777215>
```

Parameters

<1-16777215> VxLAN network identifier.

Default

No default value is specified for `map vnid` command.

Command Mode

NVO access interface mode

Applicability

This command was introduced before OcnOS version 1.3.

Example

```
#configure terminal
(config)#nvo vxlan access-if port-vlan xel 2
(config-nvo-acc-if)#map vnid 100
(config-nvo-acc-if)#exit
```

nd-cache disable

Use this command to disable ND cache for MAC/IPv6.

When the ND cache is disabled on a VxLAN access port, OcNOS does not reply to any ND arriving on this port from the cache. OcNOS withdraws all MAC/IPs configured/learned on this access port and removes the MAC/IP entry for this access port from the local ND cache.

OcNOS also makes sure that on withdrawing the MAC/IP route, the MAC does not become unknown. If all routes for this MAC are being withdrawn because of this command, then OcNOS advertises a MAC-only route. This is done so that the MAC does not become unknown and only the cache functionality becomes disabled.

See also [arp-cache disable](#).

Use the `no` form of this command to enable ND cache for MAC/IPv6.

Note: On enabling the cache, an IP will be in conflict, then the cache enable will fail. The conflict has to be manually removed and then the cache enabled.

Command Syntax

```
nd-cache disable
no nd-cache disable
```

Parameters

None

Default

By default, the `nd-cache` option is enabled.

Command Mode

NVO access interface mode

Applicability

This command was introduced before OcNOS version 1.3.

Example

```
#configure terminal
(config)#nvo vxlan access-if port-vlan xel 2
(config-nvo-acc-if)#nd-cache disable
(config-nvo-acc-if)#exit
```

no nvo vxlan

Use this command to delete a given tenant or all tenants/VPNs.

Command Syntax

```
no nvo vxlan (id <1-16777215>|all-vnids)
```

Parameters

<1-16777215>	VXLAN Network Identifier.
all-vnids	Delete all VxLAN network identifiers.

Command Mode

Configure mode

Applicability

This command was introduced before OcnOS version 1.3.

Example

```
#configure terminal  
(config)#no nvo vxlan id 100
```

nvo vxlan

Use this command to enable or disable VxLAN.

Command Syntax

```
nvo vxlan (enable | disable)
```

Parameters

None

Default

By default, the nvo vxlan option is disabled.

Command Mode

Configure mode

Applicability

This command was introduced before OcNOS version 1.3.

Example

```
#configure terminal
(config)#nvo vxlan enable

(config)#nvo vxlan disable
```

nvo vxlan id

Use this command to add a tenant and the type of VPN. This command changes the mode to NVO mode.

Use `nvo vxlan id` for creating ELA

Use `no` form of this command to unconfigure the VXLAN ID.

You must enable VXLAN with the `nvo vxlan` command before you give this command.

Command Syntax

```
nvo vxlan id <1-16777215> (multicast | ) | ((ingress-replication | (| inner-vid-
disabled)))
no nvo vxlan id <1-16777215>
```

Parameters

<code><1-16777215></code>	VxLAN Network Identifier (VNID)
<code>multicast</code>	Point to multipoint.
<code>ingress-replication</code>	Use head end replication for forwarding BUM (Broadcast, Unknown Unicast, Multicast) traffic
<code>xconnect target-vxlan-id</code>	Cross-connect
<code><1-16777215></code>	Target cross-connect identifier
<code>inner-vid-disabled</code>	Do not carry VID out of network port

Command Mode

Configure mode

Applicability

This command was introduced before OcNOS version 1.3; `nvo vxlan id xconnect` was introduced in OcNOS version 5.1.

Example

```
#configure terminal
(config)#nvo vxlan id 300 ingress-replication
(config-nvo)#exit

(config)#nvo vxlan id 200 ingress-replication inner-vid-disabled
(config-nvo)#exit
```

nvo vxlan access-if

Use this command to map a complete interface or a VLAN or VLAN range on an interface to identify the tenant traffic and to enter NVO access interface mode.

The command "nvo vxlan access-if port <if_name> default" accepts all tagged, double tagged and untagged traffic received on the mapped physical port.

Use the `no` form of this command to unmap an interface or a VLAN.

Note: When a VxLAN access interface configured as a port VLAN as `vlan-range` or `port as default`, then `arp-cache` and `nd-cache` should be disabled and only VNID with `inner-vid-enable` is mapped.

Note: `Inner-vid-enable` is one-to-one mapping. VNID is mapped to only on one access-port.

Note: Vlan Range not allowed to be configured for Vxlan stacked access-port.

Command Syntax

```
nvo vxlan access-if (port IFNAME (| default) | port-vlan IFNAME VLAN_RANGE (|
  inner-vlan <2-4094>))
no nvo vxlan access-if (port IFNAME | port-vlan IFNAME VLAN_RANGE(| inner-vlan <2-
  4094>))
```

Parameters

<code>port</code>	A physical port.
<code>IFNAME</code>	Interface name (Physical/Static lag/Dynamic lag)
<code>default</code>	Default access interface
<code>port-vlan</code>	The physical port on which VLANs are configured
<code>IFNAME</code>	Interface name (Physical/Static lag/Dynamic lag)
<code>VLAN_RANGE</code>	Configure VlanId or Vlan-Range for outer vlan
<code>Inner-vlan</code>	Inner-vlan id
<code><2-4094></code>	VLAN id

Default

By default, the `nvo vxlan access-if` option is `port VLAN ID` and `VLAN_RANGE` option is introduced in OcnOS-SP version 5.0..

Command Mode

Configure mode

Applicability

This command was introduced before OcnOS version 1.3.

Example

```
#configure terminal
(config)#nvo vxlan access-if port-vlan xe1 2-10
(config-nvo-acc-if)#exit

#configure terminal
```



```
(config)#nvo vxlan access-if port xe1
(config-nvo-acc-if)#exit

#configure terminal
(config)#nvo vxlan access-if port xe1 default
(config-nvo-acc-if)#exit

#configure terminal
(config)#nvo vxlan access-if port-vlan xe1 2 inner-vlan 10
(config-nvo-acc-if)#exit
```

nvo vxlan mac-ageing-time

Use this command to set the dynamically learned MAC aging time.

Use the `no` form of this command to set the age out the MACs in hardware to its default (300 seconds).

Command Syntax

```
nvo vxlan mac-ageing-time <10-572>
no nvo vxlan mac-ageing-time
```

Parameters

<10-572> Ageing time in seconds.

Default

The default age out time is 300 seconds.

Command Mode

Configure mode

Applicability

This command was introduced before OcnOS version 1.3.

Example

```
#configure terminal
(config)#nvo vxlan mac-ageing-time 10
```

nvo vxlan max-cache-disable

Use this command to configure the maximum number of ARP and ND cache disables on access ports configured with the port+VLAN options. This command does not limit the ARP and ND cache disables on access ports created with only the port option.

Use the `no` form of this command to set the maximum number of ARP and ND cache disables to its default (0).

Note: If any MAC is in conflict when the max cache disable is being unconfigured, then the corresponding caches will not be enabled. This can be enabled after manually, removing the conflict. Caches where there is no conflict, will be enabled.

Command Syntax

```
nvo vxlan max-cache-disable <1-200>
no nvo vxlan max-cache-disable
```

Parameters

<-1-200> Number of ARP/ND cache disable allowed

Default

The default maximum number of ARP and ND cache disables is 0.

Command Mode

Configuration mode

Applicability

This command was introduced before OcnOS version 1.3.

Example

```
#configure terminal
(config)#nvo vxlan max-cache-disable 10
(config-nvo)#exit
```

nvo vxlan vtep-ip-global

Use this command to set the source IP address of the VxLAN tunnels.

Use the `no` form of this command to remove the source IP address of the VxLAN tunnels.

Command Syntax

```
nvo vxlan vtep-ip-global A.B.C.D
no nvo vxlan vtep-ip-global A.B.C.D
```

Parameters

A.B.C.D Source VTEP IP address of the global configuration

Default

No default value is specified for `nvo vxlan vtep-ip-global` command.

Command Mode

NVO mode

Applicability

This command was introduced before OcnOS version 1.3.

Example

```
(config-nvo)#nvo vxlan vtep-ip-global 10.10.11.1
```

show bgp l2vpn evpn

Use this command to display details about Layer 2 Virtual Private Network (L2VPN) Ethernet Virtual Private Network (EVPN) routes.

Note: A BGP EVPN route update received for an unreachable IP address is also listed by this command and as a best route. This is because the next hop tracking feature is not supported for the EVPN address family. However, the tunnel to this IP address is shown in unresolved state by the [show nvo vxlan tunnel](#) output.

Note: An E-tag (Ethernet tag) can have the value of zero/VID/VNID based on the use case. An E-tag can go up to 32 bits and no restrictions are noted in the RFC. Since an E-tag can have different values, it should not be compared with the label/VNID.

Command Syntax

```
show bgp l2vpn evpn ((vrf WORD)|(rd WORD)| time|)
show bgp l2vpn evpn mac-ip ((vrf WORD)|(rd WORD)|)
show bgp l2vpn evpn mcast
show bgp l2vpn evpn multihoming es-route <(rd WORD)|(vrf WORD)>
show bgp l2vpn evpn multihoming ethernet-ad-per-evi <(rd WORD)|(vrf WORD)>
show bgp l2vpn evpn multihoming ethernet-ad-per-es <(rd WORD)|(vrf WORD)>
```

Parameters

vrf	Virtual Routing and Forwarding instance
WORD	VRF name
rd	Route distinguisher
WORD	Route distinguisher: ASN:nn or IP:nn
time	Display learned time for EVPN routes
mac-ip	MAC/IP routes (EVPN type 2)
mcast	Multicast routes (EVPN type 3)

Command Mode

Exec mode

Applicability

This command was introduced before OcNOS version 1.3.

Example

```
#show bgp l2vpn evpn
```

```
BGP table version is 25, local router ID is 1.1.1.1
Status codes: s suppressed, d damped, h history, * valid, > best, i - internal,
              l - labeled, S Stale
```

```
Origin codes: i - IGP, e - EGP, ? - incomplete
```

```
[EVPN route type]:[ESI]:[VNID]:[relevent route informantion]
1 - Ethernet Auto-discovery Route
```

VXLAN Commands

- 2 - MAC/IP Route
- 3 - Inclusive Multicast Route
- 4 - Ethernet Segment Route

```

Network          Next Hop          Metric    LocPrf      Weight Path  Peer
RD[1.1.1.1:1] VRF[vrfblue]:
*> [2]:[0]:[100]:[48,0000.00aa.aaaa]:[32,10.1.1.2]:[100]
    1.1.1.1          0          100          32768      i
*>i [2]:[0]:[100]:[48,0000.00bb.bbbb]:[32,10.1.1.3]:[100]
    4.4.4.4          0          100          0          i 10.1.1.1
*> [3]:[100]:[32,1.1.1.1]
    1.1.1.1          0          100          32768      i
*>i [3]:[100]:[32,4.4.4.4]
    4.4.4.4          0          100          0          i 10.1.1.1
*> [3]:[101]:[32,1.1.1.1]
    1.1.1.1          0          100          32768      i
*>i [3]:[101]:[32,4.4.4.4]
    4.4.4.4          0          100          0          i 10.1.1.1

RD[2.2.2.2:1]
*>i [2]:[0]:[100]:[48,0000.00bb.bbbb]:[32,10.1.1.3]:[100]
    4.4.4.4          0          100          0          i 10.1.1.1
*>i [3]:[100]:[32,4.4.4.4]
    4.4.4.4          0          100          0          i 10.1.1.1
*>i [3]:[101]:[32,4.4.4.4]
    4.4.4.4          0          100          0          i 10.1.1.1

```

Total number of prefixes 9

[Table 1-1](#) shows the status codes displayed at the start of a route entry.

Table 1-1: status codes

Status code	Description	Comments
s	suppressed	Whether the route is suppressed and is not advertised to neighbors.
d	damped	When the penalty of a flapping route exceeds the suppress limit, the route is damped and remains in a withdrawn state until its penalty decreases below the reuse limit.
h	history	When the penalty of a flapping route does not exceed the suppress limit, the route is not damped and BGP maintains a history of the flapping route.
*	valid	Whether the route is valid. When a route is not suppressed, damped, or present in the history, it is valid.
>	best	The selected route to be installed in the kernel routing table.
i	internal	The prefix was learned from an iBGP peer.
l	labeled	BGP Labeled Unicast advertises route information between inter region routers.

Table 1-2 shows the codes at the end of each route entry that indicate where the route originated.

Table 1-2: origin codes

Origin Code	Description	Comments
i	IGP	The route is from an Interior Gateway Protocol.
e	EGP	The route is from an Exterior Gateway Protocol.
?	incomplete	Origin not known. Typically, these are routes redistributed from an IGP.

Table 1-3 explains the fields for each route.

Table 1-3: route entry fields

Field	Description
RD	Route distinguisher: AS number or IP address.
VRF	Name of the VRF.
Network	<p>EVPN route information.</p> <p>The route type indicates the type of routing information advertised by the EVPN control plane:</p> <p>2 MAC/IP Route: Endpoint reachability information, including MAC and IP addresses of the endpoints. 3 Inclusive Multicast Route: Information about how to forward Broadcast, Unknown Unicast and Multicast (BUM) traffic.</p> <p>The other fields included depend on the route type: Type 2: [ESI]:[E-Tag]:[Length, Host MAC address]:[Length, Host IP address]:[Label/VNID] Type 3: [E-Tag]:[Length, PE IP address]</p> <p>ESI (Ethernet Segment Identifier): a unique non-zero identifier that identifies an Ethernet segment, which is a set of links that connects a network or device to one or more PEs. ESI 0 denotes a single-homed site.</p> <p>E-Tag (Ethernet tag): identifies a particular broadcast domain such as a VLAN or VNID in the VxLAN case. An EVPN instance consists of one or more broadcast domains.</p> <p>VNID (VXLAN network identifier): identifies Layer 2 segments and maintains Layer 2 isolation between the segments, allowing the addressing of up to 16 million logical networks in the same administrative domain.</p> <p>The status codes are explained in Table 1-1.</p>
Next Hop	IP address of the nexthop for this route.
Metric	Multiple-Exit Discriminator (MED). If there are multiple paths to the same destination from a single routing protocol, then the multiple paths have the same administrative distance and the best path is selected based on this metric. The path with the lowest metric is selected as the optimal path and installed in the routing table.
LocPrf	Local preference set with the <code>set local-preference</code> command. This value is used only with iBGP sessions within the local autonomous system to determine if a route towards a destination is the "best" one. The path with the highest local preference is preferred.
Weight	This field applies only to routes within an individual router. If a route was learned from a peer, it has a default weight of 0. All routes generated by the local router have a weight of 32,768.

Table 1-3: route entry fields (Continued)

Field	Description
Path	The autonomous systems through which the prefix advertisement passed. The origin codes are explained in Table 1-2 .
Peer	Neighbor address.
Total number of prefixes	The total number of prefixes listed.

show bgp l2vpn evpn summary

Use this command to display a summary of BGP EVPN neighbor status.

Command Syntax

```
show bgp l2vpn evpn summary
```

Parameters

None

Command Mode

Exec mode

Applicability

This command was introduced before OcNOS version 1.3.

Example

```
#show bgp l2vpn evpn summary
BGP router identifier 1.1.1.1, local AS number 100
BGP table version is 17
1 BGP AS-PATH entries
0 BGP community entries
```

Neighbor	V	AS	MsgRcv	MsgSen	TblVer	InQ	OutQ	Up/Down	State/PfxRcd	AD	MACIP	MCAST	ESI
8.8.8.8	4	100	111	112	17	0	0	00:53:03	3	0	0	3	0
9.9.9.9	4	100	110	110	17	0	0	00:52:10	15	0	13	2	0
13.13.13.13	4	100	132	109	17	0	0	00:51:57	4	0	2	2	0

Total number of neighbors 3

Total number of Established sessions 3

The start of the output shows:

- The BGP router identifier and the local router AS number.
- The BGP table version tracks the local BGP table version. Any time the BGP best path algorithm executes, the table version increments.
- BGP AS-PATH entry and community entries.

[Table 1-4](#) explains the fields for each neighbor entry.

Table 1-4: neighbor fields

Field	Description
Neighbor	IP address of peer.
V	BGP version of peer.
AS	Autonomous system number of peer.
MsgRcvd	Messages received since the BGP connection was established.
MsgSent	Messages sent since the BGP connection was established.

Table 1-4: neighbor fields (Continued)

Field	Description
TblVer	Last version of the local router's BGP database advertised to the peer.
InQ	Received messages waiting in the input queue for further processing.
OutQ	Messages waiting in the output queue to be sent.
Up/Down	Connection up time in the interface.
State/PfxRcd	<p>If the TCP session is up and the BGP peers have formed an adjacency, this field shows how many prefixes have been received from the remote neighbor.</p> <p>Other states:</p> <p>Idle: The local router has not allocated resources for the peer connection, so incoming connection requests are refused</p> <p>Idle (Admin): The peer has shut down</p> <p>Idle (PfxCt): Prefix overflow</p> <p>Idle (G-shut): Graceful shutdown</p> <p>Connect: BGP is waiting for the TCP connection to complete</p> <p>Active: the local router is trying to establish a TCP connection to the remote peer. You might see this if the local peer has been configured, but the remote peer is unreachable or has not been configured.</p> <p>OpenSent: BGP is waiting for an open message from its peer</p> <p>OpenConfirm: BGP received an open message from the peer and is now waiting for a keepalive or notification message. If BGP receives a keep alive message from the peer, the state changes to established. If the message is a notification, the state changes to idle.</p> <p>Established: BGP is ready to exchange update, notification, and keep alive messages with its peer</p> <p>Invalid: The session state is invalid.</p>
AD	Number of EVPN type 1 Ethernet Auto-discovery routes: Only originated for multi-homed sites. Type 1 routes allow fast convergence where PE devices can change the next-hop adjacencies for all MAC addresses associated with a particular Ethernet Segment and aliasing where traffic can be balanced across multiple egress points
MACIP	Number of EVPN type 2 MAC/IP routes: Endpoint reachability information, including MAC and IP addresses of the endpoints.
MCAST	Number of EVPN type 3 Inclusive Multicast routes: Broadcast, Unknown Unicast and Multicast (BUM) traffic.
ESI	Number of EVPN type 4 Ethernet Segment Routes: Used in multi-homing for Designated Forwarder Election. The Designated Forwarder sends BUM traffic to the CE on a particular Ethernet Segment.

show nvo vxlan

Use this command to display VXLAN information.

Command Syntax

```
show nvo vxlan (vnid <1-16777215>|)
```

Parameters

<1-16777215> VXLAN network identifier.

Command Mode

Exec mode

Applicability

This command was introduced before OcnOS version 1.3.

Example

```
#sh nvo vxlan
VXLAN Information
=====
Codes: NW - Network Port
       AC - Access Port
       (u) - Untagged

VNID      Vni-name      Type Interface ESI              Vlan DF-
Status Src-addr      Dst-addr

-----
10        -----      NW   -----      -----
      1.1.1.1      3.3.3.3
10        -----      NW   -----      -----
      1.1.1.1      2.2.2.2
10        -----      AC   ce21/1      00:00:11:22:33:44:55:66:77:88 2
DF        -----
20        -----      NW   -----      -----
      1.1.1.1      3.3.3.3
20        -----      NW   -----      -----
      1.1.1.1      2.2.2.2
20        -----      AC   ce21/1      00:00:11:22:33:44:55:66:77:88 3  NON-
DF        -----
```

Total number of entries are 6

Table 1-5 explains the fields in the output.

Table 1-5: VxLAN fields

Field	Description
VNID	VXLAN network identifier.
Type	NW - Network Port: VxLAN tunnel AC - Access Port: Host connection

Table 1-5: VxLAN fields

Field	Description
Interface	Name of the Interface.
Vlan	VLAN identifier
Src-addr	Source address in the interface.
Dst-addr	Destination address in the interface.
Total number of entries	The total number of entries listed.

show nvo vxlan access-if-config

Use this command to display the current running configuration of the access interface.

Command Syntax

```
show nvo vxlan access-if-config (LINE|)
```

Parameters

LINE Access port description.

Command Mode

Exec mode

Applicability

This command was introduced before OcNOS version 1.3,

Added new cli "garp-gna enable" under access-if cli in OcNOS version 1.3.6.

Example

```
#show nvo vxlan access-if-config
nvo vxlan access-if port-vlan xe1 2
map vnid 100
garp-gna enable
access-if-description member-port with xe1 as vlan 2
dynamic-learning disable
arp-nd flood-suppress
arp-cache disable
nd-cache disable
shutdown
mac 0000.0000.1111
mac 0000.0000.aaaa ip 12.12.12.1
mac 0000.0000.bbbb ipv6 1201::1
map qos-profile ingress 100
cos 2 egress
!
nvo vxlan access-if port-vlan po1 6 inner-vlan 5
encapsulation 0x9100
no shutdown
map vnid 100
!
```

show nvo vxlan arp-cache

Use this command to display the ARP cache information.

Command Syntax

```
show nvo vxlan arp-cache (vnid <1-16777215>|summary|)
```

Parameters

<1-16777215> VXLAN network identifier.

Command Mode

Exec mode

Applicability

This command was introduced before OcNOS version 1.3, modified to include new fields – Age-Out and Retries-Left in OcNOS version 1.3.5.

Remote Static and Dynamic keyword got changed to Static and Dynamic Remote in MAC table in OcNOS version 1.3.6.

Example

```
#sh nvo vxlan arp-cache
VXLAN ARP-CACHE Information
=====
ND Timeout : 300 sec   Random-Jitter-Max : 640

VNID      Ip-Addr      Mac-Addr      Type      Age-Out      Retries-Left
-----
10        11.11.11.2   0000.0000.bbbb Dynamic Local 224          2
10        11.11.11.1   0000.0000.aaaa Dynamic Remote----
Total number of entries are 2
```

Table 1-10 explains the output fields.

Table 1-6: ARP cache fields

Field	Description
VNID	VXLAN network identifier
Ip-Addr	IP address of the vxlan
Mac-Addr	Device MAC address
Type	How a host learns a MAC/IP pair: Dynamic: Learned by data plane source learning Evpn: Learned by EVPN Type 2 (MAC/IP) routes Static Remote: Statically configured for remote; used only for static VxLAN, not with EVPN Static Local: Configured on local VTEP

Table 1-6: ARP cache fields

Field	Description
Age=Out	ARP entry expire time
Total number of entries	The total number of entries listed.

show nvo vxlan counters access-port

Use this command to display the receive and transmit counters of an access port including ARP, ND and GARP counters in the same command.

Note: Due to a limitation in the hardware, the transmit packet counters includes the BUM traffic received on that port.

Command Syntax

```
show nvo vxlan counters access-port (port IFNAME | port-vlan IFNAME VLAN_ID)
```

Parameters

port	Port Mapping
IFNAME	Access port name
port-vlan	Port-vlan Mapping
IFNAME	Access port name
VLAN_ID_RANGE	Vlan Id or Vlan Range <2-4094>
INNER_VLAN_ID	Inner-Vlan Id
all	All ports and VLANs

Command Mode

Exec mode

Applicability

This command was introduced before OcNOS version 1.3 and added Control packet (ARP, ND and GARP) counters in OcNOS version 1.3.5. The VLAN_RANGE option is introduced in OcNOS-SP version 5.0.

Example

```
#show nvo vxlan counters access-port port-vlan xe1 2
Data packets:
 *If ARP/ND cache is enabled, TX doesn't count ARP/ND replies
 from ARP/ND cache and ARP/ND forwarded after uplifting to
 the control plane.
RX:  packets   : 2774939
     bytes     : 210553516
TX:  packets   : 4322274
     bytes     : 326026474

Control Packets:
 *ARP/ND uplifted and sent/replied from control plane:
Rx Vxlan Arp discard count           : 0
Rx Vxlan Nd discard count            : 2
Tx Vxlan Arp discard count           : 0
Tx Vxlan Nd discard count            : 0
Rx Vxlan Arp Request count           : 2
Tx Vxlan Arp Request count           : 0
Rx Vxlan Arp Reply count             : 5
Tx Vxlan Arp Reply count             : 1
Rx Vxlan Neighbor Solicitation count : 6
Tx Vxlan Neighbor Solicitation count : 0
```



```

Rx Vxlan Neighbor Advertisement count: 0
Tx Vxlan Neighbor Advertisement count: 4
Rx Vxlan Gratuitous ARP count      : 0
Tx Vxlan Gratuitous ARP count      : 0
Rx Vxlan Gratuitous Neighbor Advertisement count: 3
Tx Vxlan Gratuitous Neighbor Advertisement count: 0

```

#

Table 1-7 explains the fields in the output.

Table 1-7: access port counters

Field	Description
RX: packets	Number of packets received.
RX: bytes	Number of bytes received.
TX: packets	Number of packets transmitted.
TX: bytes	Number of bytes transmitted.
Rx Vxlan Nd discard count	Number of discarded ND that is received from neighbor.
Tx Vxlan Arp discard count	Number of discarded Arp that is transmitted to peer.
Rx Vxlan Nd discard count	Number of discarded ND that is transmitted to peer.
Rx Vxlan Arp Request count	Number of request ARP that is received from neighbor.
Tx Vxlan Arp Request count	Number of request ARP that is transmitted to peer.
Rx Vxlan Arp Reply count	Number of replied ARP that is received from neighbor.
Tx Vxlan Arp Reply count	Number of replied ARP which is transmitted to peer.
Rx Vxlan Neighbor Solicitation count	Number of request ND that is received from neighbor.
Tx Vxlan Neighbor Solicitation count	Number of replied ND that is transmitted to peer.
Rx Vxlan Neighbor Advertisement count	Number of Neighbor Advertisement that is received from neighbor.

Table 1-7: access port counters (Continued)

Field	Description
Tx Vxlan Neighbor Advertisement count	Number of Neighbor Advertisement that is transmitted to peer
Rx Vxlan Gratuitous ARP count	Number of Gratuitous ARP that is received from neighbor.
Tx Vxlan Gratuitous ARP count	Number of Gratuitous ARP which is transmitted to peer.
Rx Vxlan Gratuitous Neighbor Advertisement count	Number of Gratuitous Neighbor Advertisement that is received from neighbor.
Tx Vxlan Neighbor Gratuitous Advertisement count	Number of Gratuitous Neighbor Advertisement which is transmitted to peer.

show nvo vxlan counters network-port

Use this command to display the receive and transmit counters of a network port including ARP, ND and GARP counters in the same command.

Command Syntax

```
show nvo vxlan counters network-port dst A.B.C.D
```

Parameters

A.B.C.D Tunnel IPv4 address

Command Mode

Exec mode

Applicability

This command was introduced before OcNOS version 1.3 and added control packets (ARP, ND, and GARP) counters in OcNOS version 1.3.5.

Example

```
VTEP1#sh nvo vxlan counters network-port dst 100.2.2.2
```

Data packets:

*If ARP/ND cache is enabled, TX doesn't count ARP/ND replies from ARP/ND cache and ARP/ND forwarded after uplifting to the control plane.

```
RX:  packets   : 814327
      bytes     : 92833544
TX:  packets   : 1508023
      bytes     : 171914622
```

Control Packets:

*ARP/ND uplifted and sent/replied from control plane:

```
TX VXLAN Arp discard count           : 0
TX VXLAN ND discard count             : 0
Tx Vxlan Arp Request count           : 0
Tx Vxlan Arp Reply count             : 0
Tx Vxlan Neighbor Solicitation count : 0
Tx Vxlan Neighbor Advertisement count: 0
Rx Vxlan Gratuitous ARP count: 0
Tx Vxlan Gratuitous ARP count: 0
Rx Vxlan Gratuitous Neighbor Advertisement count: 0
Tx Vxlan Gratuitous Neighbor Advertisement count: 0
```

[Table 1-8](#) explains each network entry fields.

Table 1-8: show nvo vxlan counters network-port output fields

Field	Description
RX: packets	Number of hello packets received from neighbor.
RX: bytes	Number of hello packets received from neighbor in bytes received.
TX: packets	Number of hello packets transmitted to neighbor.
TX: bytes	Number of hello packets transmitted to neighbor in bytes transmitted.
Rx Vxlan Nd discard count	Number of discarded ND that is received from neighbor.
Tx Vxlan Arp discard count	Number of discarded Arp that is transmitted to peer.
Rx Vxlan Nd discard count	Number of discarded ND that is transmitted to peer.
Rx Vxlan Arp Request count	Number of request ARP that is received from neighbor.
Tx Vxlan Arp Request count	Number of request ARP that is transmitted to peer.
Rx Vxlan Arp Reply count	Number of replied ARP that is received from neighbor.
Tx Vxlan Arp Reply count	Number of replied ARP which is transmitted to peer.
Rx Vxlan Neighbor Solicitation count	Number of request ND that is received from neighbor.
Tx Vxlan Neighbor Solicitation count	Number of replied ND that is transmitted to peer.
Rx Vxlan Neighbor Advertisement count	Number of Neighbor Advertisement that is received from neighbor.
Tx Vxlan Neighbor Advertisement count	Number of Neighbor Advertisement that is transmitted to peer.
Rx Vxlan Gratuitous ARP count	Number of Gratuitous ARP that is received from neighbor.
Tx Vxlan Gratuitous ARP count	Number of Gratuitous ARP which is transmitted to peer.
Rx Vxlan Gratuitous Neighbor Advertisement count	Number of Gratuitous Neighbor Advertisement that is received from neighbor.
Tx Vxlan Neighbor Gratuitous Advertisement count	Number of Gratuitous Neighbor Advertisement which is transmitted to peer.

show nvo vxlan mac-table

Use this command to display the host MAC address table. Use the `hardware` option to see the age out time for dynamically learned macs.

Command Syntax

```
show nvo vxlan mac-table (vnid <1-16777215>|) (summary | hardware |)
```

Parameters

<1-16777215> VXLAN network identifier.
summary Count the MAC addresses.

Command Mode

Exec mode

Applicability

This command was introduced before OcNOS version 1.3.

Remote Static and Dynamic keyword got changed to Static and Dynamic Remote in MAC table in OcNOS version 1.3.6.

Example

```
#show nvo vxlan mac-table
=====
                               VXLAN MAC Entries
=====
VNID      Interface  VlanId Inner-VlanId Mac-Addr      VTEP-Ip/
ESI                               Status        AccessPortDesc
-----
10        ce21/1     2        ----          0000.0000.1111
1.1.1.1   partner-port
          Static Local
10        ----      ----      ----          0000.0000.2222
3.3.3.3   Static Remote
-
20        ce21/1     3        ----          0000.0000.cccc
1.1.1.1   Discard
-
20        ----      ----      ----          0000.0000.dddd
3.3.3.3   Static Remote
-

Total number of entries are : 4

#show nvo vxlan mac-table hardware
=====
                               VXLAN MAC Entries
=====
```

VNID ESI AccessPortDesc	Interface	VlanId	Inner-VlanId Type	Mac-Addr Status	VTEP-Ip/ Time-out
10 1.1.1.1 partner-port	ce21/1	2	---	0000.0000.1111 Static Local	----- ---
10 3.3.3.3 --	---	---	---	0000.0000.2222 Static Remote	----- -
10 3.3.3.3 --	---	---	---	0000.0000.aa11 Static Remote	----- -
10 1.1.1.1 partner-port	ce21/1	2	---	0000.0000.bb11 Dynamic Local	----- 300
10 1.1.1.1 partner-port	ce21/1	2	---	0000.0000.bb12 Dynamic Local	----- 277
20 1.1.1.1	ce21/1	---	---	0000.0000.cccc Static Local	Discard ---
20 3.3.3.3 --	---	---	---	0000.0000.dddd Static Remote	----- -

Total number of entries are 7

Table 1-9 explains the fields in the output.

Table 1-9: MAC table fields

Field	Description
VNID	VXLAN network identifier
Interface	Interface name
VlanId	VLAN identifier
Mac-Addr	MAC address
VTEP-Ip	VTEP identifier/Ethernet Segment Identifier
Type	How a host learns a MAC/IP pair: Remote: Statically configured for remote; used only for static VxLAN, not with EVPN Static Local: Configured on local VTEP Dynamic Local: Learned by data plane source learning
Status	Max Move conflict: When a MAC has moved too many times (5 or more times in 180 seconds). This is according to the procedures defined in RFC 7432, Section 15.1. Discard: If a MAC hold time is configured, then if the VxLAN access port goes down (admin or operational), the MAC is moved to the discard state for the period of the hold time. The MAC is also moved to the discard state if the VNID is unmapped from the port. In dynamically learned cases, the MAC is also moved to discard when learning is disabled.
Time-out	Age timeout for dynamically learned MACs.

Table 1-9: MAC table fields (Continued)

Field	Description
AccessPortDesc	Access port description.
Total number of entries	The total number of entries listed.

show nvo vxlan nd-cache

Use this command to display the Neighbor Discovery cache.

Command Syntax

```
show nvo vxlan nd-cache (vnid <1-16777215>|summary|)
```

Parameters

<1-16777215> VXLAN network identifier.

Command Mode

Exec mode

Applicability

This command was introduced before OcNOS version 1.3, modified to include new fields – Age-Out and Retries-Left in OcNOS version 1.3.5.

Remote Static and Dynamic keyword got changed to Static and Dynamic Remote in ND table in OcNOS version 1.3.6.

Example

```
#show nvo vxlan nd-cache
VXLAN ND-CACHE Information
=====
ND Timeout : 300 sec   Random-Jitter-Max : 640

VNID      Ip-Addr      Mac-Addr      Type      Age-Out      Retries-Left
-----
10        2001::1      0000.0000.1111 Dynamic Local 274          2
10        2001::2      0000.0000.2222 Dynamic Remote ----
Total number of entries are 2
```

Table 1-10 explains the output fields.

Table 1-10: ND cache fields

Field	Description
VNID	VXLAN network identifier
Ip-Addr	IP address
Mac-Addr	MAC address
Type	How a host learns a MAC/IP pair: Static Remote: Statically configured for remote; used only for static VxLAN, not with EVPN Static Local: Configured on local VTEP Dynamic: Learned by data plane source learning Evpn: Learned by EVPN Type 2 (MAC/IP) routes

Table 1-10: ND cache fields

Field	Description
Age-Out	ND entry expire Time
Total number of entries	The total number of entries listed.

show nvo vxlan static host state

Use this command to display the state of the host which is configured statically.

Command Syntax

```
show nvo vxlan static host state
```

Parameters

None

Command Mode

Exec mode

Applicability

This command was introduced before OcNOS version 1.3.

Example

```
#sh nvo vxlan static host state
```

VNID	Ifname	Vlan	Ip-Addr	Mac-Addr	Status
100	xe1	2	12.12.12.1	0000.0000.aaaa	Inactive
100	xe2	2	1201::1	0000.0000.bbbb	Conflict
100	xe3	2	120.120.120.1	0000.0000.bb11	Active

[Table 1-11](#) explains the output fields.

Table 1-11: Static host fields

Field	Description
VNID	VXLAN network identifier
Ifname	Interface name
Vlan	VLAN name
Ip-Addr	IP address

Table 1-11: Static host fields

Field	Description
Mac-Addr	MAC address
Status	<p>Status of the MAC/IP on the host:</p> <p>Conflict: When a MAC/IP was configured, the conflict was not known as the VNID was not mapped to the access port. After the VNID is mapped, if the same MAC/IP is present statically on some other port on the same VNID, then it is in conflict state.</p> <p>Learnt Conflict: When a MAC/IP was configured, the conflict was not known. However, it is now in conflict because the same MAC/IP is configured on an access port on VTEP1 and on an access port on VTEP2. Because the BGP session/tunnel was not up, the MAC/IP was not known to the other VTEP and the configuration was allowed. When the BGP session/tunnel comes up and it finds such a conflicted route, it marks the state as Learnt Conflict.</p> <p>Inactive: Configured but not operating, such as when the port is not mapped to any VNID. The port is down and the ARP/ND cache is disabled.</p> <p>Active: Operating host MAC/IP.</p>

show nvo vxlan tunnel

Use this command to view the source, destination, and status of the VxLAN tunnel entries.

Command Syntax

```
show nvo vxlan tunnel
```

Parameters

None

Command Mode

Exec mode

Applicability

This command was introduced before OcNOS version 1.3.

Example

The following is a sample output of the `show nvo vxlan tunnel` command.

```
#show nvo vxlan tunnel
VXLAN Network tunnel Entries
 Source Destination      Status Up/Down Update
=====
1.1.1.1 2.2.2.2      Installed 00:00:20 00:00:20
Total number of entries are 1
#
```

[Table 1-12](#) explains the output fields.

Table 1-12: VxLAN tunnel fields

Field	Description
Source	Tunnel source IP address.
Destination	Tunnel destination IP address.
Status	Installed: Tunnel Installed in the hardware and operating. Resolved: Tunnel destination IP is reachable, but VxLAN tunnel not installed in hardware. Therefore, not operating. Unresolved: Tunnel destination IP not reachable because L3 route is down.
Up/Down	When the tunnel came up or went down
Update	When the tunnel was last updated
Total number of entries	The total number of entries listed.

show running-config nvo vxlan

Use this command to display the current running configuration of VXLANs.

Command Syntax

```
show running-config nvo vxlan
```

Parameters

None

Command Mode

Exec mode

Applicability

This command was introduced in a version before OcNOS version 1.3 and added few CLIs for IRB and ARP-ND refresh timer for OcNOS version 1.3.5.

Example

```
#show running-config nvo vxlan
!
    nvo vxlan multihoming enable
!
    nvo vxlan enable
!
    nvo vxlan vtep-ip-global 1.1.1.1
!
    nvo vxlan max-cache-disable 10
!
    nvo vxlan tunnel qos-map-mode cos-dscp ingress QUE_DSCP
!
    nvo vxlan tunnel qos-map-mode cos-dscp egress DSCP_QUE
!
    nvo vxlan id 100 ingress-replication inner-vid-disabled
    vxlan host-reachability-protocol evpn-bgp vrf1
    mac-holdtime 20
!
    nvo vxlan access-if port-vlan xe1 2
    map vnid 100
access-if-description member-port with xe1 as vlan 2
dynamic-learning disable
arp-nd flood-suppress
arp-cache disable
nd-cache disable
shutdown
mac 0000.0000.1111
mac 0000.0000.aaaa ip 12.12.12.1
mac 0000.0000.bbbb ipv6 1201::1
map qos-profile cos-to-queue COS_QUE
map qos-profile queue-color-to-cos QUE_COS
!
    nvo vxlan access-if port-vlan po1 6 inner-vlan 5
    encapsulation 0x9100
```

```
no shutdown
map vnid 100
!
```

show evpn multi-homing all

Use this command to display the multi-homed VTEP details.

Command Syntax

```
show evpn multi-homing (all |)
```

Parameters

None

Command Mode

Exec mode

Applicability

This command was introduced before OcNOS version 1.3.

Example

```
#show evpn multi-homing all
ESI                               Access-IF      PE-IP-ADDRESS
=====
00:00:11:22:33:44:55:66:77:88    ce21/1        1.1.1.1
00:00:11:22:33:44:55:66:77:88    ----         2.2.2.2
Total number of entries are 2
```

[Table 1-13](#) explains the output fields.

Table 1-13: show evpn multi-homing all output details

Field	Description
ESI	An Ethernet segment has a unique nonzero identifier, called the Ethernet segment identifier (ESI). The ESI is encoded as a 10-octet integer that identifies this segment. When manually configuring an ESI value, the most significant octet, known as the type byte, must be 00. When a single-homed CE device is attached to an Ethernet segment, the entire ESI value is zero.
Access-IF	Map the access port ce21/1 for evpn.
PE-IP-ADDRESS	Address of the provider edge router in the interface.

show evpn multihoming-status

Use this command to display the status of multihoming on a VTEP.

Command Syntax

```
show evpn multihoming-status
```

Parameters

None

Command Mode

Exec mode

Applicability

This command was introduced before OcNOS version 1.3.

Example

```
#show evpn multihoming-status  
Multihoming is ACTIVE in Hardware
```


show nvo vxlan route-count

Use this command to display the vxlan active route (MAC-IP,MAC-IPv6 and MAC-only) count information.

Command Syntax

```
show nvo vxlan route-count (|vnid <1-16777215>)
```

Parameters

<1-16777215> Range supported for VNID.

Command Mode

Exec mode

Applicability

This command was introduced before OcNOS version 1.3 and modified to include new fields – GW-IPv4, GW_IPv6, Prefix IPv4 and Prefix IPv6 in OcNOS version 1.3.5.

Example

```
#show nvo vxlan route-count
VXLAN Active route count information
=====
Max route count   : 32768
Active route count: 7
```

Note: Prefix count refers only local routes
It does not include evpn prefix routes

```
-----
-----
VNID      Total    MACONLY  MACIPv4  MACIPv6  GW        GW        Prefix
Prefix                                         MACIPv4  MACIPv6  IPv4
IPv6
-----
-----
2000      3         1         1         1         0         0         0
0
1000      0         0         0         0         0         0         0
0
10002     4         0         0         0         1         1         1
1
```

Total number of entries are 3

[Table 1-14](#) explains the output fields.

Table 1-14: show nvo vxlan route-count output details

Field	Description
Max route count	Maximum number of route count in vxlan.
Active route count	Number of active route count in the interface.

Table 1-14: show nvo vxlan route-count output details

Field	Description
VNID	VNID is used to identify Layer 2 segments and to maintain Layer 2 isolation between the segments.
Total	Total number of entries for the interface.
MACONLY	The MAC-only route for the local interface appears in the VXLAN instance route table.
MACIPv4	IPv4 media access control (MAC) address for a default virtual gateway.
MACIPv6	IPv6 media access control (MAC) address for a default virtual gateway.

show nvo vxlan vni-name

Use this command to display the vxlan results bashed on vni-name.

Command Syntax

```
show nvo vxlan vni-name (WORD)
```

Parameters

WORD VNI name of max size 10 character and should not be only numeric.

Command Mode

Exec mode

Applicability

This command was introduced before OcnOS version 1.3.

Example

```
#show nvo vxlan vni-name SITEA-PRO
VXLAN Information
=====
Codes: NW - Network Port
AC - Access Port
(u) - Untagged
VNID Vni-name Type Interface ESI Vlan DF-Status Src-addr Dst-addr
-----
1 ---- NW ---- ----- ---- ----- 10.0.1.1 10.0.6.8
1 ---- NW ---- ----- ---- ----- 10.0.1.1 10.0.6.9
1 ---- NW ---- ----- ---- ----- 10.0.1.1 10.0.3.1
1 ---- NW ---- ----- ---- ----- 10.0.1.1 10.0.1.2
1 ---- NW ---- ----- ---- ----- 10.0.1.1 10.0.5.1
1 ---- NW ---- ----- ---- ----- 10.0.1.1 10.0.2.2
1 ---- NW ---- ----- ---- ----- 10.0.1.1 10.0.2.1
1 SITEA-PRO AC xe7 - Single Hommed port - 2 ----- ---- ----
1 SITEA-PRO AC xe1 - Single Hommed port - 1010 ----- ---- ----
1 SITEA-PRO AC xe1 - Single Hommed port - 100 ----- ---- ----
1 SITEA-PRO AC xe1 - Single Hommed port - 2020 ----- ---- ----
1 SITEA-PRO AC po1 - Single Hommed port - 100 ----- ---- ----
1 SITEA-PRO AC po1 - Single Hommed port - 2 ----- ---- ----
1 SITEA-PRO AC po1 - Single Hommed port - 200 ----- ---- ----
1 SITEA-PRO AC xe8 - Single Hommed port - ----- ---- ----
1 SITEA-PRO AC po2 - Single Hommed port - ----- ---- ----
Total number of entries are 16
```

shutdown

Use this command to administratively shut down an NVO access interface.

Use the `no` form of this command to start an NVO access interface.

Command Syntax

```
shutdown
no shutdown
```

Parameters

None

Default

The NVO access interface is running by default.

Command Mode

NVO access interface mode

Applicability

This command was introduced before OcNOS version 1.3.

Example

```
#configure terminal
(config)#nvo vxlan access-if port-vlan xel 2
(config-nvo-acc-if)#shutdown
(config-nvo-acc-if)#exit
```

vxlan host-reachability-protocol evpn-bgp

Use this command to set the host reachable protocol to Ethernet-VPN over BGP. This defines BGP as the mechanism for host reachability advertisement.

Use the no form of this command to remove Ethernet-VPN as the host reachable protocol.

Command Syntax

```
vxlan host-reachability-protocol evpn-bgp NAME
no vxlan host-reachability-protocol evpn-bgp
```

Parameters

NAME Name of the VRF to carry VNID routes.

Default

No default value is specified for vxlan host-reachability-protocol command.

Command Mode

NVO mode

Applicability

This command was introduced before OcnOS version 1.3.

Example

```
(config)#nvo vxlan id 3
(config-nvo)#vxlan host-reachability-protocol evpn-bgp Blue
```

CHAPTER 2 VXLAN - IRB Commands

This chapter describes the VXLAN - IRB commands: These commands are applicable for TR3 and Maverick platform only.

- `evpn irb`
- `evpn irb-forwarding anycast-gateway-mac`
- `evpn irb-if-forwarding anycast-gateway-mac`
- `interface irb`
- `l3vni`
- `nvo vxlan irb`
- `show bgp l2vpn evpn`
- `show bgp l2vpn evpn prefix-route`
- `show interface irb`
- `show nvo vxlan l3vni`
- `show nvo vxlan irb-status`
- `show running-config interface irb`

evpn irb

Use this command to configure default gateway behavior on a VTEP for particular VNID.

Use the no form this command to disable default gateway behavior on a VTEP for the particular VNID.

Note: Map an IRB interface to an L2 VNID. This IRB interface can have multiple IP address as configured in IRB IP address CLI and can serve all subnets attached to the L2 VNID.

Command Syntax

```
evpn <NAME>
no evpn <NAME>
```

Parameters

NAME	IRB interface name
------	--------------------

Command Mode

NVO Mode

Applicability

This command was introduced in OcNOS-SP version 5.1.

Example

```
#config mode
(config)# nvo vxlan id 2000 ingress-replication inner-vid-disabled
(config-nvo)# evpn irb1
(config-nvo)# no evpn irb1
```

evpn irb-forwarding anycast-gateway-mac

Use this command to configure common anycast mac-address for all the IRB interfaces

Use the `no` form of this command to remove the global MAC address on all the the IRB interfaces.

Command Syntax

```
evpn irb-forwarding anycast-gateway-mac XXXX.XXXX.XXXX
no evpn irb-forwarding anycast-gateway-mac
```

Parameters

XX-XX-XX-XX-XX-XX	Source MAC address (Option 1)
XX:XX:XX:XX:XX:XX	Source MAC address (Option 2)
XXXX.XXXX.XXXX	Source MAC address (Option 3)

Command Mode

Configuration Mode

Applicability

This command was introduced in OcNOS-SP version 5.1.

Example

```
#configure terminal
(config)#evpn irb-forwarding anycast-gateway-mac 0000.0000.1313
Or
(config)#evpn irb-forwarding anycast-gateway-mac 00:00:00:00:13:13
Or
(config)#evpn irb-forwarding anycast-gateway-mac 00-00-00-00-13-13
(config)# no evpn irb-forwarding anycast-gateway-mac
```

evpn irb-if-forwarding anycast-gateway-mac

Use this command to enable an IRB interface to use the global anycast IRB mac-address.

Use the `no` form of this command to un-configure anycast MAC at IRB interface.

Command Syntax

```
evpn irb-if-forwarding anycast-gateway-mac
no evpn irb-if-forwarding anycast-gateway-mac
```

Parameters

None

Command Mode

IRB_IF_Mode

Applicability

This command was introduced in OcNOS-SP version 5.1.

Example

```
#configure terminal
(config)# interface irb 1
(config-irb-if)# ip vrf forwarding vrfip
(config-irb-if)#evpn irb-if-forwarding anycast-gateway-mac
(config-irb-if)#no evpn irb-if-forwarding anycast-gateway-mac
```

interface irb

Use this command to configure logical IRB interface.

Use the `no` form of this command to un-configure logical IRB interface.

Command Syntax

```
interface irb<1-4094>  
no interface irb<1-4094>
```

Parameters

<1-4094> IRB interface number

Command Mode

Configure mode

Applicability

This command was introduced in OcNOS-SP version 5.1.

Example

```
#configure terminal  
(config)#interface irb1  
(config)#no interface irb1
```

l3vni

Use this command to configure L3 Virtual Network Identifier for an ip vrf

Use the no form of this command to remove L3 Virtual Network Identifier

This identifies a tenant, with this one tenant can have L3VNI as its identifier and he can have multiple L2 networks identified with L2VNI's.

Note: L3 VNID cannot be same as L2 VNID.

Command Syntax

```
l3vni <L3 VNID>
no l3vni <L3 VNID>
```

Parameters

<1-16777215> L3 VNID. Cannot be same as L2 VNID

Command Mode

Configure VRF mode

Applicability

This command was introduced in OcNOS-SP version 5.1.

Example

```
#configure terminal
(config)#ip vrf vrfip
(config-vrf)#l3vni 10002
(config-vrf)#no l3vni 10002
```

nvo vxlan irb

Use this command to enable IRB functionality.

Use the `no` form of this command to disable IRB functionality.

Note: Remove the existing L2 VNID configuration to enable IRB.

Command Syntax

```
nvo vxlan irb
no nvo vxlan irb
```

Parameters

None

Command Mode

Configure mode

Applicability

This command was introduced in OcNOS-SP version 5.1.

Example

```
#configure terminal
(config)#nvo vxlan irb
(config)#no nvo vxlan irb
```

show bgp l2vpn evpn

Use this command to display details about Layer 2 Virtual Private Network (L2VPN) Ethernet Virtual Private Network (EVPN) routes.

Note: A BGP EVPN route update received for an unreachable IP address is also listed by this command and as a best route. This is because the next hop tracking feature is not supported for the EVPN address family. However, the tunnel to this IP address is shown in unresolved state by the [show nvo vxlan tunnel](#) output.

Command Syntax

```
show bgp l2vpn evpn ((vrf WORD)|(rd WORD|))((prefix WORD|)|(detail| time|))
show bgp l2vpn evpn mac-ip ((vrf WORD)|(rd WORD|))
show bgp l2vpn evpn mcast
show bgp l2vpn evpn multihoming es-route <(rd WORD)|(vrf WORD)>
show bgp l2vpn evpn multihoming ethernet-ad-per-evi <(rd WORD)|(vrf WORD)>
show bgp l2vpn evpn multihoming ethernet-ad-per-es <(rd WORD)|(vrf WORD)>
```

Parameters

vrf	Virtual Routing and Forwarding instance
WORD	VRF name
rd	Route distinguisher
WORD	Route distinguisher: ASN:nn or IP:nn
prefix-route	Shows detail of the Prefix-Route (Type:5)
detail	Detailed output of the route-path
time	Display learnt time for details for evpn routes.
mac-ip	Show detail of the MAC-IP route (Type:2)
mcast	Show detail of the Inclusive MULTICAST route (Type:3)
multihoming	Show multihoming information
peer-group	Dynamic peer-group

Command Mode

Exec mode

Applicability

This command was introduced in OcNOS-SP version 5.1.

Example

```
show bgp l2vpn evpn detail
BGP route entry for prefix : [1]:[00:00:00:00:11:12:12:22:11:11]:[100]:[100]
Route-Distinguisher: 1.1.1.1:1
Flags : Valid, Selected, IBGP, Labelled
NextHop : 1.1.1.1 MED value : 0
```

Community:

Extended Community: RT:100:1 Encapsulation:VxLAN ESI-Label:0

Weight :0, Local Preference :100

AS Path : Local

Origin : IGP

Last Update : Thu Apr 13 12:05:23 2023

Peer : 1.1.1.1

BGP route entry for prefix : [2]:[0]:[100]:[48,0000:1111:0000]:[32,10.12.11.12]:[100]

Route-Distinguisher: 1.1.1.1:1

Flags : Valid, Selected, IBGP, Labelled

Nexthop : 1.1.1.1 MED value : 0

Community:

Extended Community: RT:100:1 Encapsulation:VxLAN MAC_mob_seq:Static

Weight :0, Local Preference :100

AS Path : Local

Origin : IGP

Last Update : Thu Apr 13 12:05:23 2023

Peer : 1.1.1.1

Total number of prefixes 2

show bgp l2vpn evpn prefix-route

Use this command to display the Type-5 prefix remote routes.

Command Syntax

```
show bgp l2vpn evpn prefix-route <vrf WORD | rd Word>
```

Parameters

None

Command Mode

Exec mode

Applicability

This command was introduced before OcNOS-SP version 4.1.

Example

```
rtr1#show bgp l2vpn evpn prefix-route

RD[300:1]
ESI
GW-IP Address      Eth-Tag Prefix-Length  IP-Address      L3VNID  Nexthop      Encap
0                  45001   24              80.80.80.0     45001    2.2.2.2      VXLAN
0.0.0.0           45001   24              90.90.90.0     45001    2.2.2.2      VXLAN
0                  45001   64              8001::         45001    2.2.2.2      VXLAN
0.0.0.0           45001   64              9001::         45001    2.2.2.2      VXLAN
::
0                  45001   64              8001::         45001    2.2.2.2      VXLAN
::
0                  45001   64              9001::         45001    2.2.2.2      VXLAN
rtr1#
```

show interface irb

Use this command to display the current running configuration of IRB interface.

Command Syntax

```
show interface irb<1-4094>
```

Parameters

None

Command Mode

Exec mode

Applicability

This command was introduced in OcNOS-SP version 5.1.

Example

```
rtr1#show interface irb1
Interface irb1
  Hardware is IRB   Current HW addr: 0000.0000.ff10
  Physical:(Not Applicable)   Logical:0000.0000.ff10
  Port Mode is Router
  Interface index: 700001
  Metric 0 mtu 1500
  Debounce timer: disable
  ARP ageing timeout 1500
  <UP,BROADCAST,RUNNING,MULTICAST>
  VRF Binding: Associated with vrf1
  Label switching is disabled
  Administrative Group(s): None
  DHCP client is disabled.
  Last Flapped: Never
  Statistics last cleared: 2019 Mar 14 17:57:06 (00:21:31 ago)
  inet 80.80.80.1/24 broadcast 80.80.80.255
  inet6 8001::1/64
  inet6 fe80::200:ff:fe00:ff10/64
  RX
    unicast packets 0 multicast packets 0 broadcast packets 0
    input packets 0 bytes 0
    jumbo packets 0
    undersize 0 oversize 0 CRC 0 fragments 0 jabbers 0
    input error 0
    input with dribble 0 input discard 0
    Rx pause 0
  TX
    unicast packets 0 multicast packets 0 broadcast packets 0
    output packets 0 bytes 0
    jumbo packets 0
    output errors 0 collision 0 deferred 0 late collision 0
    output discard 0
    Tx pause 0
rtr1#
```

show nvo vxlan l3vni

Use this command to display the L3 VNI, L2 VNI and IRB interface mapping.

Command Syntax

```
show nvo vxlan l3vni-map
```

Parameters

None

Command Mode

Exec mode

Applicability

This command was introduced in OcNOS-SP version 5.1.

Example

```
rtr3#show nvo vxlan l3vni-map
 L3VNI      L2VNI      IRB-interface
=====
 45001      10          irb1
 45001      20          irb2

rtr3#
```

show nvo vxlan irb-status

Use this command to display the status of the IRB on a VTEP.

Command Syntax

```
show nvo vxlan irb-status
```

Parameters

None

Command Mode

Exec mode

Applicability

This command was introduced before OcnOS version 5.1.

Example

```
#show nvo vxlan irb-status  
IRB is ACTIVE in Hardware
```

show running-config interface irb

Use this command to display the current running configuration of IRB interface.

Command Syntax

```
show running-config interface irb<1-4094>
```

Parameters

None

Command Mode

Exec mode

Applicability

This command was introduced in OcNOS-SP version 5.1.

Example

```
#show running-config interface irb1
!  
    interface irb1  
    ip vrf forwarding vrfip  
    ip address 144.144.144.1/24  
    ipv6 address 1201::1/48  
    evpn irb-if-forwarding anycast-gateway-mac  
    mac-address 0000.0000.1234  
    qos map-profile dscp-to-queue DSCP_QUE  
    qos map-profile queue-color-to-dscp QUE_DSCP  
    shutdown  
!
```

CHAPTER 3 VXLAN Quality of Service Commands

This chapter describes the VXLAN commands for QoS (Quality of Service):

- `clear nvo vxlan tunnels`
- `cos queue`
- `dscp queue`
- `map qos-profile`
- `map qos-profile cos-to-queue`
- `map qos-profile queue-color-to-cos`
- `nvo vxlan tunnel qos-map-mode cos-dscp`
- `qos profile cos-to-queue`
- `qos profile dscp-to-queue`
- `qos profile queue-color-to-cos`
- `qos profile queue-color-to-dscp`
- `queue cos`
- `queue dscp`

clear nvo vxlan tunnels

Use this command to clear the nvo vxlan tunnels to re-establish the tunnel after mapping/un-mapping the QoS profile to vxlan tunnel.

Command Syntax

```
clear nvo vxlan tunnels ([dst-ip A.B.C.D])
```

Parameters

dst-ip	VXLAN tunnel destination
A.B.C.D	destination IPv4 address

Command Mode

Exec mode

Applicability

This command was introduced in OcNOS version 1.3.

Example

```
#clear nvo vxlan tunnels dst-ip 2.2.2.2
```

Note: `clear nvo vxlan tunnels` This command will clear all the VXLAN tunnels destination.

`clear nvo vxlan tunnels dst-ip A.B.C.D` - This command to clear individual tunnel destination(i.e A.B.C.D).

cos queue

Use this command to configure user defined mapping for cos and queue.

Use the `no` form of this command to remove the mapping.

Command Syntax

```
cos <0-7> queue <0-7>
no cos <0-7>
```

Parameters

<0-7> COS and Queue ranger

Default

Default cos and queue value is one-one default mapping if it is not configured.

Command Mode

QoS config mode

Applicability

This command was introduced in OcNOS version 1.3.

Example

```
(config)#qos profile cos-to-queue ac_port_ingress
(config-ingress-cos-map)#cos 1 queue 7
(config-ingress-cos-map)#no cos 1
```

dscp queue

Use this command to configure user defined mapping for DSCP to queue. This will be mapped with nvo VXLAN tunnel of remote VTEP.

Use the `no` form of this command to delete the mapping.

Command Syntax

```
dscp <0-63> queue <0-7> (color (green|yellow|red)|) (dscp <0-63>|)
no dscp <0-63>
```

Parameters

<0-63>	DSCP
<0-7>	Queue number
color	Color to map
green	Set mapping for green packets
red	Set mapping for red packets
yellow	Set mapping for yellow packets
<0-63>	out DSCP value

Default

Default queue and cos value is one-one default mapping if it is not configured.

Command Mode

Ingress-dscp-map mode

Applicability

This command was introduced in OcNOS version 1.3.

Example

```
(config)#qos profile dscp-to-queue nw_profile
(config-ingress-dscp-map)#dscp 50 queue 1
(config-ingress-dscp-map)#no dscp 50
```

map qos-profile

Use this command to map (attach) the qos profile to an IRB interface.

Use the `no` form of this command to remove a profile.

Use the following qos profile type for mapping from/to on the IRB interface.

- `dscp-to-queue` for ingress traffic and
- `queue-color-to-dscp` profile for egress traffic

Removing the `map qos-profile`, applies the default profile to the IRB interface.

Note: Default profile is applied to all the IRB interface only when qos is enabled.

Command Syntax

```
map qos-profile (dscp-to-queue | queue-color-to-dscp) <NAME>
no map qos-profile (dscp-to-queue | queue-color-to-dscp) <NAME>
```

Parameters

NAME	Profile name
------	--------------

Default

By default, the default `dscp-to-queue` and `queue-color-to-dscp` profile is attached to all IRB interface.

Changing the value in the default profile, will impact both the IRB interfaces and L3 interfaces.

Command Mode

IRB_IF_Mode

Default

Default mapping between queue and DSCP value is one-one.

Applicability

This command is introduced in OcNOS version 5.1.

Example

```
#configure terminal
(config)#interface irb 1
(config-irb-if)# map qos-profile queue-color-to-dscp QUE_DSCP
(config-irb-if)# no map qos-profile queue-color-to-dscp QUE_DSCP

(config)#interface irb 1
(config-irb-if)# map qos-profile dscp-to-queue DSCP_QUE
(config-irb-if)# no map qos-profile dscp-to-queue DSCP_QUE
```

map qos-profile cos-to-queue

Use this command to map the cos-to-queue profile to vxlan access port on the local VTEP.

Use the `no` form of the command to remove the mapping.

Command Syntax

```
map qos-profile cos-to-queue NAME
no map qos-profile cos-to-queue NAME
```

Parameters

NAME	Profile name
------	--------------

Default

None

Command Mode

NVO access interface mode

Applicability

This command was introduced in OcNOS DC version 4.2.

Example

```
(config)#nvo vxlan access-if port-vlan xel 10
(config-nvo-acc-if)#map qos-profile cos-to-queue ac_port_ingress
(config-nvo-acc-if)#no map qos-profile cos-to-queue ac_port_ingress
```

map qos-profile queue-color-to-cos

Use this command to map the queue-color-to-cos profile to vxlan access port on the remote VTEP.

Use the `no` form of the command to remove the mapping.

Command Syntax

```
map qos-profile queue-color-to-cos NAME
no map qos-profile queue-color-to-cos NAME
```

Parameters

NAME	Profile name
------	--------------

Default

None

Command Mode

NVO access interface mode

Applicability

This command was introduced in OcNOS DC version 4.2.

Example

```
(config)#nvo vxlan access-if port-vlan xe2 10
(config-nvo-acc-if)#map qos-profile queue-color-to-cos ac_profile
(config-nvo-acc-if)#no map qos-profile queue-color-to-cos ac_profile
```

nvo vxlan tunnel qos-map-mode cos-dscp

Use this command to map QoS profile for network side to nvo vxlan tunnel. For outgoing/incoming traffic, you need to provide the direction with the keyword `egress/ingress`.

Use the `no` form of this command to delete the mapping.

You must give the [clear nvo vxlan tunnels](#) command to do the network port setting for QoS profile mapped.

Command Syntax

```
nvo vxlan tunnel qos-map-mode cos-dscp (ingress|egress) NAME
no nvo vxlan tunnel qos-map-mode cos-dscp (ingress|egress)
```

Parameters

<code>NAME</code>	Profile name
<code>ingress</code>	Ingress direction
<code>egress</code>	Egress direction

Command Mode

Configure mode

Applicability

This command was introduced in OcNOS version 1.3.

Example

```
(config)#nvo vxlan tunnel qos-map-mode cos-dscp egress nw_profile
(config)#no nvo vxlan tunnel qos-map-mode cos-dscp egress
(config)#nvo vxlan tunnel qos-map-mode cos-dscp ingress nw_profile
(config)#no nvo vxlan tunnel qos-map-mode cos-dscp ingress
```

qos profile cos-to-queue

Use this command to configure cos-to-queue profile. This profile has to be mapped to VXLAN access port on the local VTEP.

Use the `no` form of this command to delete the qos profile.

Command Syntax

```
qos profile cos-to-queue (NAME|default)
no qos profile cos-to-queue NAME
```

Parameters

NAME	QoS profile name for cos-to-queue
default	Default name

Command Mode

Configure mode

Applicability

This command was introduced in OcNOS version 1.3.

Example

```
(config)#qos profile cos-to-queue ac_port_ingress
(config)#no qos profile cos-to-queue ac_port_ingress
```

qos profile dscp-to-queue

Use this command to configure QoS profile for DSCP to Queue mapping. This profile will be mapped to nvo vxlan tunnel of remote VTEP. The created profile will support remarking of the data packets.

Use the `no` form of this command to delete the QoS profile

Command Syntax

```
qos profile dscp-to-queue (NAME|default)
no qos profile dscp-to-queue NAME
```

Parameters

NAME	Profile name
default	Default name

Command Mode

Configure mode

Applicability

This command was introduced in OcNOS version 1.3.

Example

```
(config)#qos profile dscp-to-queue nw_profile
(config-ingress-dscp-map)#exit
(config)#no qos profile dscp-to-queue nw_profile
(config)#
```

qos profile queue-color-to-cos

Use this command to configure queue-color-to-cos profile. This profile has to be mapped to VXLAN access port on remote VTEP.

Use the `no` form of this command to delete the qos profile.

Command Syntax

```
qos profile queue-color-to-cos (NAME|default)
no qos profile queue-color-to-cos NAME
```

Parameters

NAME	Profile name
default	Default name

Command Mode

Configure mode

Applicability

This command was introduced in OcNOS version 1.3.

Example

```
(config)#qos profile queue-color-to-cos ac_profile
(config)#no qos profile queue-color-to-cos ac_profile
```

qos profile queue-color-to-dscp

Use this command to create a QoS profile queue-color-to-dscp. This profile will be mapped to nvo vxlan tunnel of local VTEP. The created profile supports remarking of the data packets.

Use the `no` form of this command to delete the profile.

Command Syntax

```
qos profile queue-color-to-dscp (NAME|default)
no qos profile queue-color-to-dscp NAME
```

Parameters

NAME	Profile name
default	Default name

Default

None

Command Mode

Configure mode

Applicability

This command was introduced in OcNOS version 1.3.

Example

```
(config)#qos profile queue-color-to-dscp nw_profile
(config-egress-dscp-map)#exit
(config)#no qos profile queue-color-to-dscp nw_profile
```

queue cos

Use this command to configure user defined mapping for queue and cos.

Use the no form of this command to remove the mapping.

Command Syntax

```
queue <0-7> (color(green|yellow|red|all)|) cos <0-7>
no queue <0-7> (color(green|yellow|red|all)|)
```

Parameters

<0-7>	Queue and cos range
color	Color to map
all	Set mapping for all packets
green	Set mapping for green packets
red	Set mapping for red packets
yellow	Set mapping for yellow packets

Default

Default queue and cos value is one-one default mapping if it is not configured.

Command Mode

QoS config mode

Applicability

This command was introduced in OcNOS version 1.3.

Example

```
(config)#qos profile queue-color-to-cos ac_profile
(config-egress-cos-map)#queue 5 cos 2
(config-egress-cos-map)#no queue 5
```

queue dscp

Use this command to configure user-defined mapping for queue to DSCP. This will be mapped with nvo VXLAN tunnel of local VTEP.

Use the `no` form of this command to remove the queue-to-DSCP mapping.

Command Syntax

```
queue <0-7> (color (green|yellow|red|all) |) dscp <0-63>
no queue <0-7> (color (green|yellow|red|all) |)
```

Parameters

<0-7>	Queue number
<0-63>	DSCP
color	Color to map
all	Set mapping for all packets
green	Set mapping for green packets
red	Set mapping for red packets
yellow	Set mapping for yellow packets

Default

Default queue and cos value is one-one default mapping if it is not configured.

Command Mode

QoS config mode

Applicability

This command was introduced in OcNOS version 1.3.

Example

```
(config)#qos profile queue-color-to-dscp nw_profile
(config-egress-dscp-map)# queue 1 dscp 63
(config-egress-dscp-map)#no queue 1
```

Index

A

arp-cache disable 437
arp-nd flood-suppress 438, 526

B

begin modifier 14
BGP community value
 command syntax 12
braces
 command syntax 11

C

clear mac address table dynamic vxlan 439
clear nvo vxlan counters 441, 524
command abbreviations 10
command completion 10
command line
 errors 10
 help 9
 keyboard operations 13
command modes 17
 configure 17
 exec 17
 interface 17
 privileged exec 17
 router 17
command negation 11
command syntax
 ? 12
 . 12
 () 11
 {} 11
 | 11
 A.B.C.D/M 12
 AA:NN 12
 BGP community value 12
 braces 11
 conventions 11
 curly brackets 11
 HH:MM:SS 12
 IFNAME 12
 interface name 12
 IPv4 address 12
 IPv6 address 12
 LINE 12
 lowercase 11
 MAC address 12
 monospaced font 11
 numeric range 12
 parentheses 11
 parenteses 11
 period 12

question mark 12
square brackets 12
time 12
uppercase 11
variable placeholders 12
vertical bars 11
WORD 12
X:X::X:X 12
X:X::X:X/M 12
XX:XX:XX:XX:XX:XX 12
configure mode 17
curly brackets
 command syntax 11

D

dynamic-learning disable 445, 502, 516

E

encapsulation 23
evpn esi holdtime 447
evpn multi-homing enable 448, 505, 521
exec command mode 17

I

IFNAME 12
Interface irb 451
interface mode 17
IPv4 address
 command syntax 12
IPv6 address
 command syntax 12

L

LAN segments 23
LINE 12
load-balance rtag7 vxlan inner-I2 452
load-balance rtag7 vxlan inner-I3 453

M

mac 454, 507
MAC address
 command syntax 12
MAC addresses 23
mac vrf 455, 507
mac-holdtime 456, 507
map vnid 457

N

nd-cache disable 478, 512
no nvo vxlan 459
nvo 462
nvo vxlan 460

nvo vxlan id 461, 464
nvo vxlan irb 466
nvo vxlan mac-ageing-time 488, 514
nvo vxlan tunnel qos-map-mode 466
nvo vxlan vtep-ip-global 466

P

parantheses
 command syntax 11
parentheses
 command syntax 11
period
 command syntax 12
Port Mapping 25
privileged exec mode 17

Q

question mark
 command syntax 12

R

router mode 17

S

show bgp l2vpn evpn 467
show bgp l2vpn evpn summary 471, 508
show commands 14
 exclude modifier 15
 include modifier 15
 redirect modifier 16
show interface irb 497
show nvo vxlan 473, 511
show nvo vxlan arp-cache 476
show nvo vxlan counters access-port 478, 512

show nvo vxlan counters network-port 481, 512
show nvo vxlan interface counters 483
show nvo vxlan mac-table 483, 512
show nvo vxlan nd-cache 486, 514
show nvo vxlan static host state 488, 514
show nvo vxlan tunnel 490
show running-config nvo vxlan 491
shutdown 456, 497, 498, 507
square brackets
 command syntax 12

T

tenant 23
time
 command syntax 12
Tunnel End Point 23

U

unicast configuration 25

V

vertical bars
 command syntax 11
Virtual eXtensible Local Area Network (VXLAN) 23
VXLAN Architecture 23
VXLAN Commands 435, 501, 515
vxlan host-reachability-protocol evpn-bgp 499
VXLAN Network Identifier (VNI) 23
VXLAN Tunnel EndPoints 23
VXLAN Unicast Configuration 25

W

WORD 12